

US00D501047S

(12) **United States Design Patent**  
**Breazeale, Jr. et al.**

(10) **Patent No.:** **US D501,047 S**  
(45) **Date of Patent:** **\*\* Jan. 18, 2005**

- (54) **CAUTERY DEVICE**
- (75) Inventors: **Earl E. Breazeale, Jr.**, Maryville, TN (US); **Warren S. Bennett**, Strawberry Plains, TN (US); **Eric A. Ward**, Knoxville, TN (US)
- (73) Assignee: **DeRoyal Industries, Inc.**, Powell, TN (US)
- (\*\*) Term: **14 Years**
- (21) Appl. No.: **29/189,853**
- (22) Filed: **Sep. 11, 2003**
- (51) **LOC (7) Cl.** ..... **24-02**
- (52) **U.S. Cl.** ..... **D24/144**
- (58) **Field of Search** ..... D24/144; 606/50, 606/45, 41, 42, 49, 40, 39, 20, 35

- D330,253 S 10/1992 Burek
- 5,376,089 A 12/1994 Smith
- D370,731 S 6/1996 Corace et al.
- D393,067 S 3/1998 Geary et al.
- 5,814,043 A 9/1998 Shapeton
- D402,030 S 12/1998 Roberts et al.
- D402,031 S 12/1998 Roberts et al.
- D433,752 S 11/2000 Saravia
- D441,077 S 4/2001 Garito et al.
- 6,258,088 B1 7/2001 Tzonev et al.
- D453,222 S 1/2002 Garito et al.
- 6,361,532 B1 3/2002 Burek
- 2001/0049524 A1 12/2001 Morgan et al.
- 2002/0022838 A1 \* 2/2002 Cunningham et al. .... 606/41

\* cited by examiner

*Primary Examiner*—Ian Simmons  
(74) *Attorney, Agent, or Firm*—Luedeka Neely & Graham PC

(57) **CLAIM**

The ornamental design for a cautery device, as shown and described.

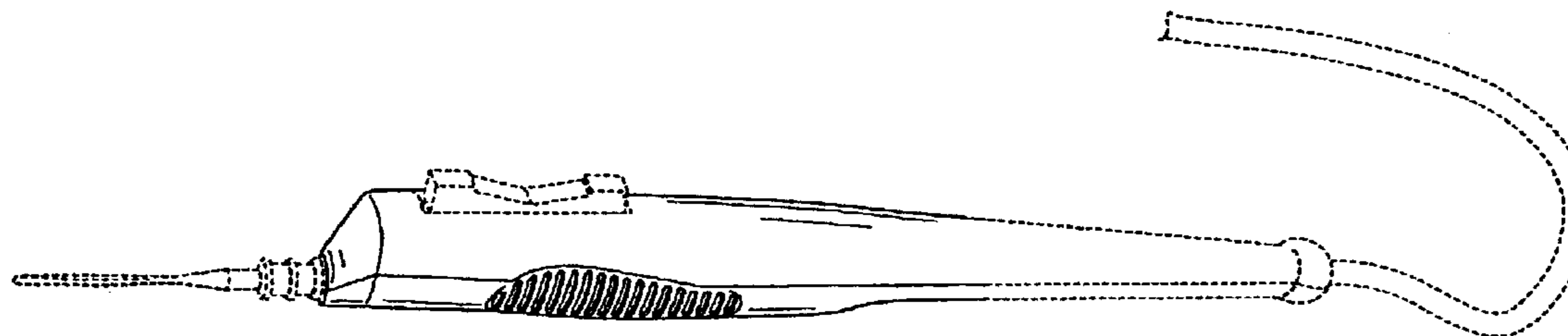
**DESCRIPTION**

FIG. 1 is a front perspective view of the cautery device of our new design;  
 FIG. 2 is a top plan view of the cautery device of our new design;  
 FIG. 3 is a bottom plan view of the cautery device of our new design;  
 FIG. 4 is a right side view of the cautery device of our new design;  
 FIG. 5 is a left side view of the cautery device of our new design;  
 FIG. 6 is a front end view of the cautery device of our new design; and,  
 FIG. 7 is a rear end view of the cautery device of our new design.  
 The broken line showing is for illustrative purposes only and forms no part of the claimed design.

**1 Claim, 6 Drawing Sheets**

(56) **References Cited**  
U.S. PATENT DOCUMENTS

- 3,613,682 A 10/1971 Naylor
- D227,514 S 6/1973 Olsen
- 3,801,766 A 4/1974 Morrison, Jr.
- 3,825,004 A 7/1974 Durden, III
- D232,325 S 8/1974 Durden, III
- D232,591 S 8/1974 Haberman
- 3,911,241 A 10/1975 Jarrard
- D246,053 S 10/1977 Staub et al.
- D249,549 S 9/1978 Pike
- 4,112,950 A 9/1978 Pike
- D253,247 S 10/1979 Gill
- D253,303 S 10/1979 Barton et al.
- D254,150 S 2/1980 Barton et al.
- D270,372 S 8/1983 Russo et al.
- D271,419 S 11/1983 Hoff
- 4,537,193 A 8/1985 Tanner
- 4,562,838 A \* 1/1986 Walker ..... 606/42
- D301,739 S 6/1989 Turner et al.
- 4,932,952 A 6/1990 Wojciechowicz, Jr.
- D320,271 S 9/1991 Jones
- D320,856 S 10/1991 Scheller



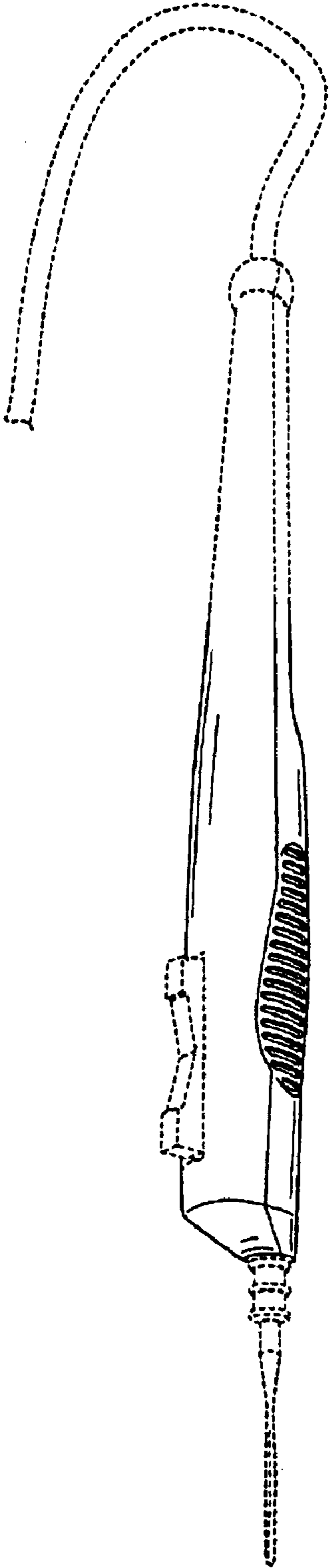
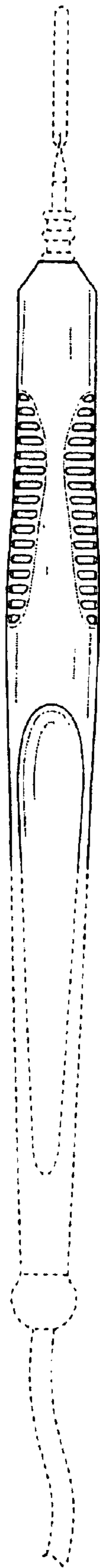


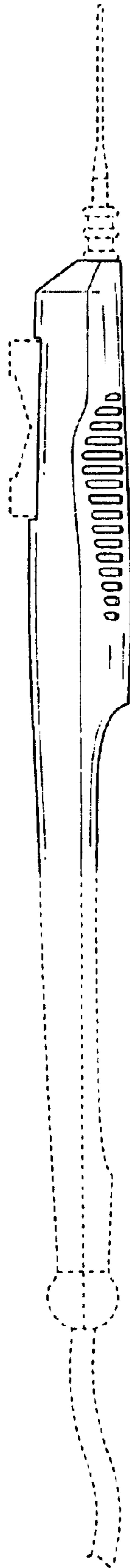
FIG. 1



**FIG. 2**



**FIG. 3**



**FIG. 4**

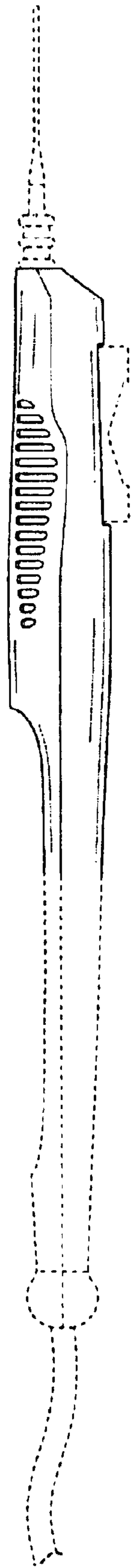
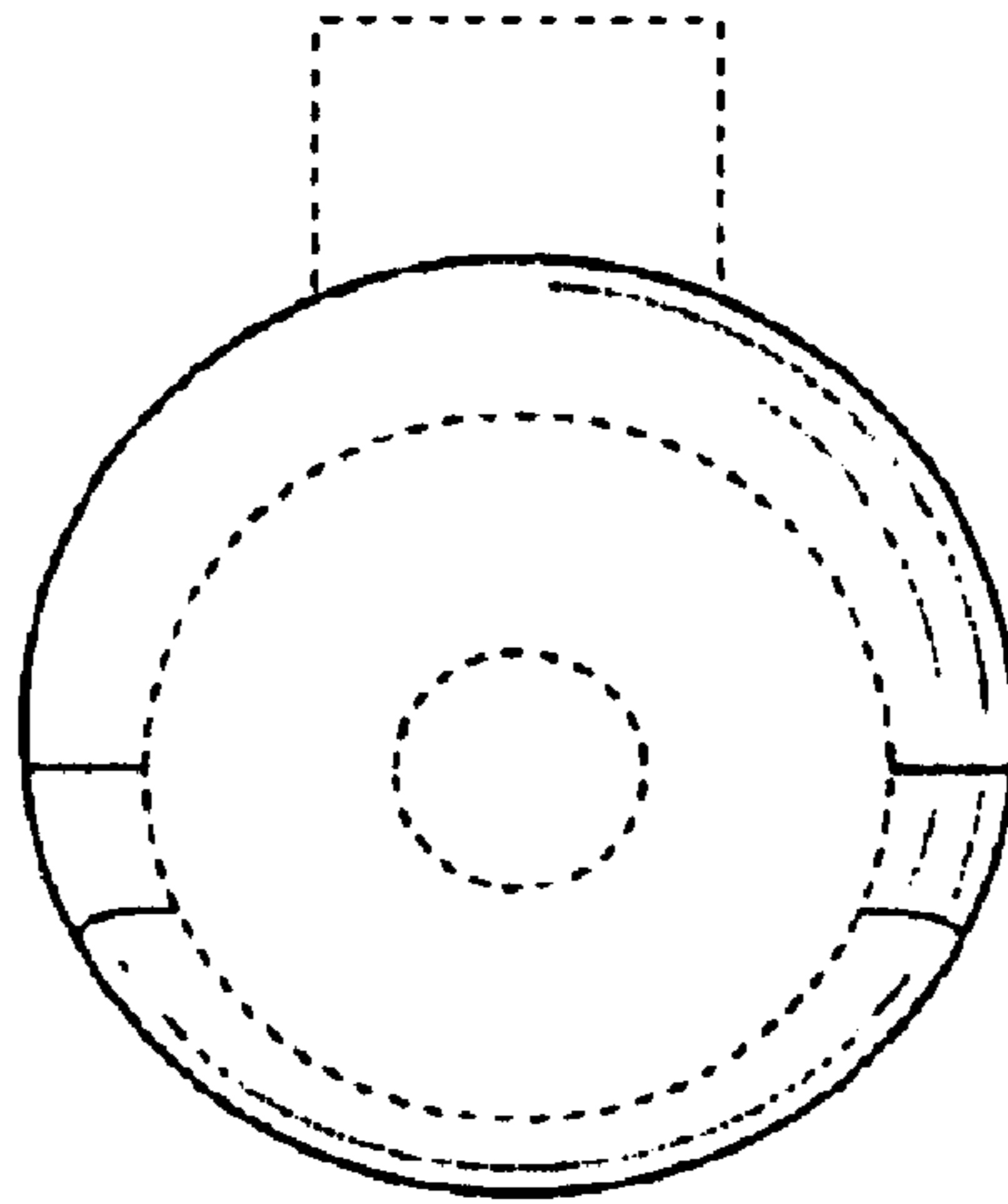
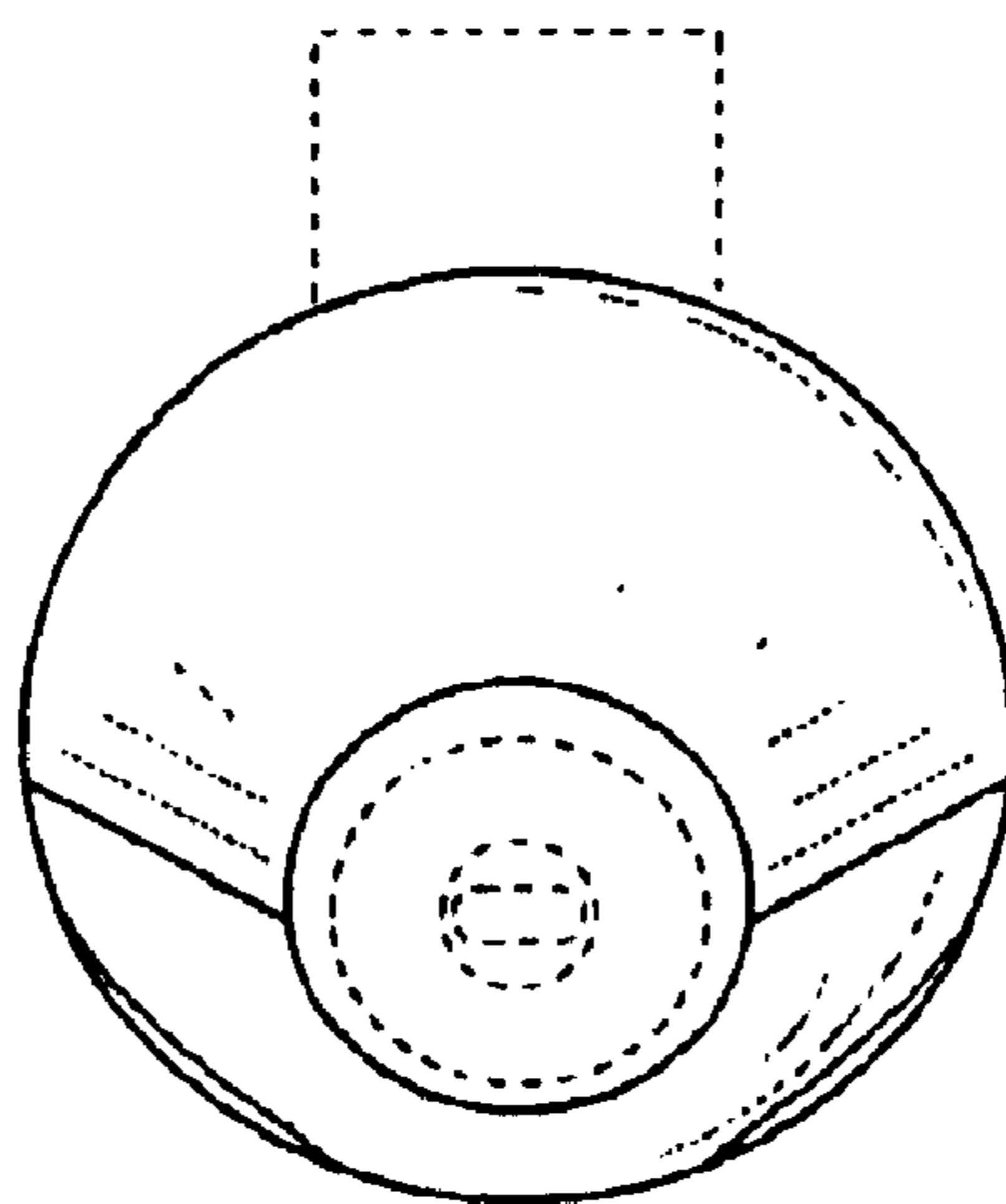


FIG. 5



**FIG. 6**



**FIG. 7**