



US00D501036S

(12) **United States Design Patent**  
**Burrows**

(10) **Patent No.: US D501,036 S**  
(45) **Date of Patent: \*\* Jan. 18, 2005**

(54) **WOOD TYPE HEAD FOR A GOLF CLUB**  
(75) Inventor: **Bruce D. Burrows**, Valencia, CA (US)  
(73) Assignee: **Burrows Golf, LLC**, Valencia, CA (US)  
(\*\*) Term: **14 Years**

D437,903 S \* 2/2001 Cope ..... D21/752  
D465,251 S \* 11/2002 Wood et al. .... D21/752  
D478,140 S 8/2003 Burrows  
D482,089 S 11/2003 Burrows  
D482,090 S 11/2003 Burrows  
D482,419 S 11/2003 Burrows  
D482,420 S 11/2003 Burrows  
D483,826 S 12/2003 Burrows  
D484,208 S 12/2003 Burrows  
D486,542 S 2/2004 Burrows

(21) Appl. No.: **29/195,339**  
(22) Filed: **Dec. 9, 2003**

\* cited by examiner

(51) **LOC (7) Cl. .... 21-02**  
(52) **U.S. Cl. .... D21/752**  
(58) **Field of Search ..... D21/733, 752;**  
**473/324-331, 343-346**

*Primary Examiner*—Mitchell Siegel  
(74) *Attorney, Agent, or Firm*—Kelly Lowry & Kelley, LLP

(57) **CLAIM**

The ornamental design for a wood type head for a golf club, as shown and described.

(56) **References Cited**

**DESCRIPTION**

**U.S. PATENT DOCUMENTS**

1,541,128 A \* 6/1925 Dunn ..... 473/345  
1,588,617 A \* 6/1926 Rose ..... 473/343  
3,374,027 A \* 3/1968 Jacobs ..... 473/286  
4,511,145 A \* 4/1985 Schmidt ..... 473/346  
D354,103 S \* 1/1995 Allen ..... D21/752  
D356,356 S \* 3/1995 Jacobs ..... D21/744  
D364,666 S \* 11/1995 Nagy ..... D21/743  
D366,919 S \* 2/1996 Jacobs ..... D21/745  
D385,003 S 10/1997 Burrows  
D390,294 S 2/1998 Burrows  
D390,295 S 2/1998 Burrows  
D392,354 S 3/1998 Burrows  
D397,749 S 9/1998 Burrows  
D401,299 S 11/1998 Burrows  
D413,642 S 9/1999 Burrows  
D413,953 S 9/1999 Burrows  
D422,659 S \* 4/2000 Mertens ..... D21/745

FIG. 1 is a perspective view showing the bottom, front and toe end sides of a wood-type for a golf club embodying the new design;  
FIG. 2 is a front elevational view thereof;  
FIG. 3 is a toe end elevational view thereof;  
FIG. 4 is a heel end elevational view thereof;  
FIG. 5 is a rear elevational view thereof;  
FIG. 6 is a top plan view thereof;  
FIG. 7 is a bottom plan view thereof; and,  
FIG. 8 is a sectional view taken generally on the line 8—8 of FIG. 7.

The broken line showings of a fragmented golf club shaft and a faceplate groove pattern are for illustrative purposes only and form no part of the claimed design.

**1 Claim, 4 Drawing Sheets**

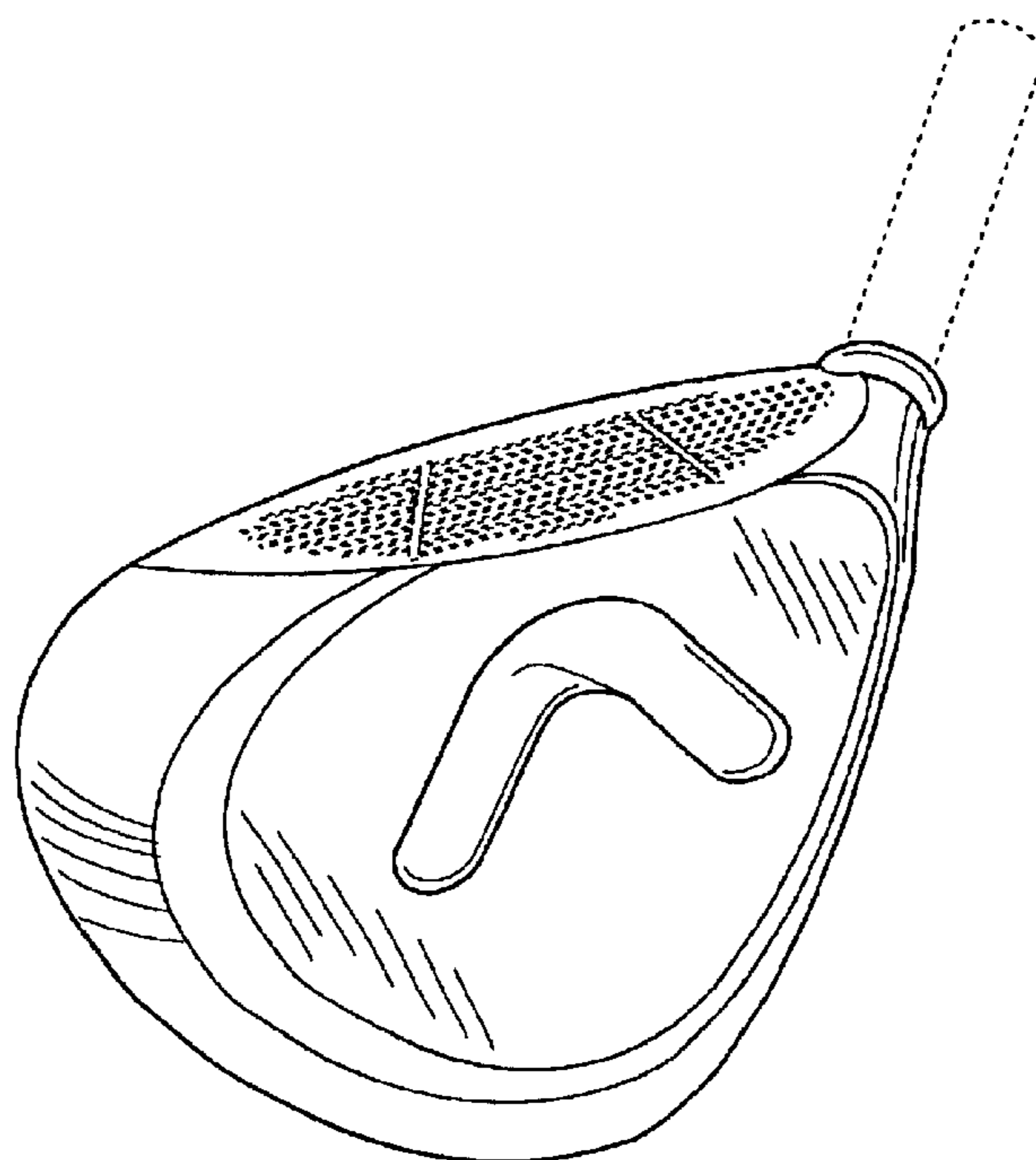


FIG. 1

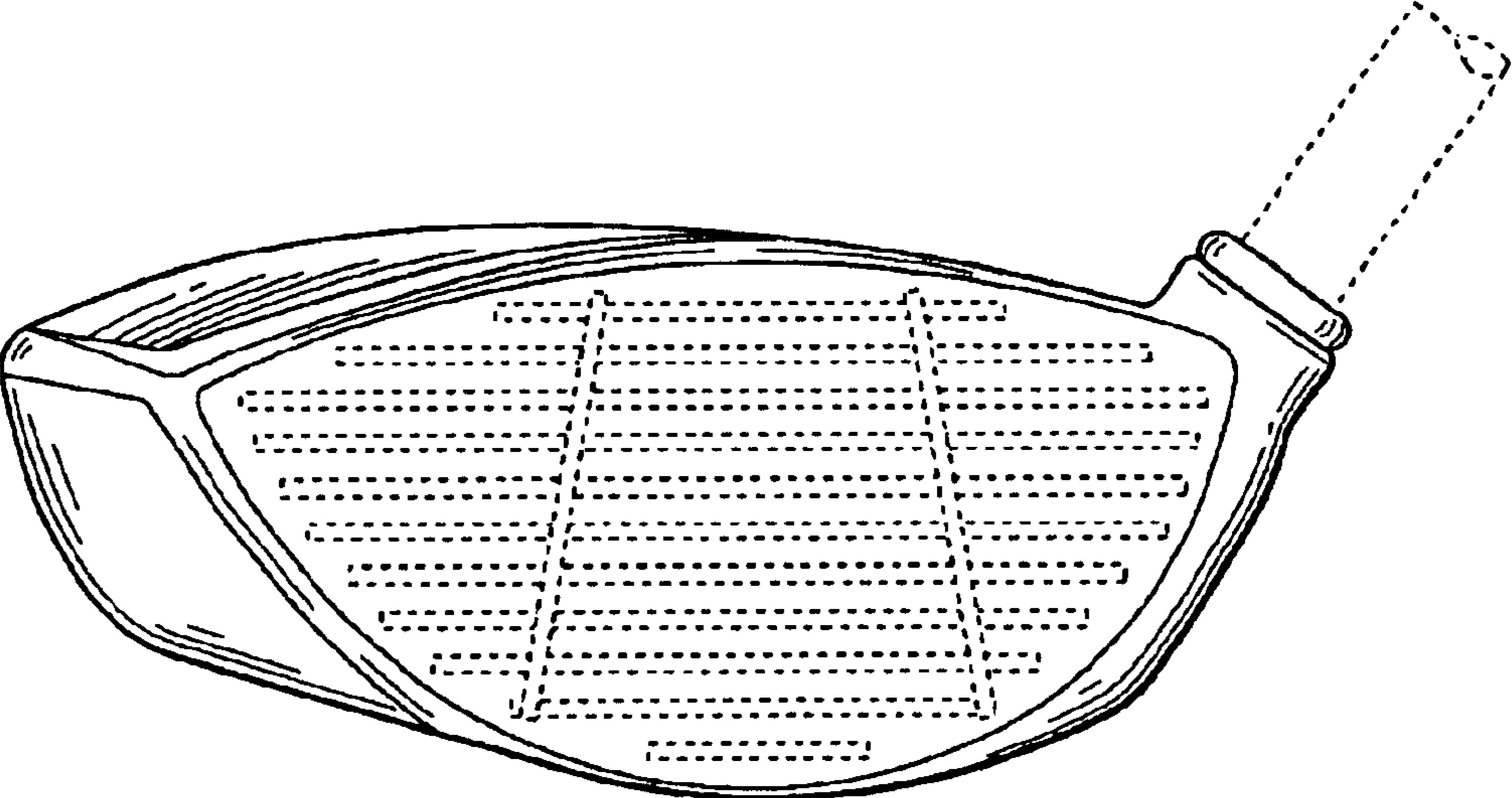
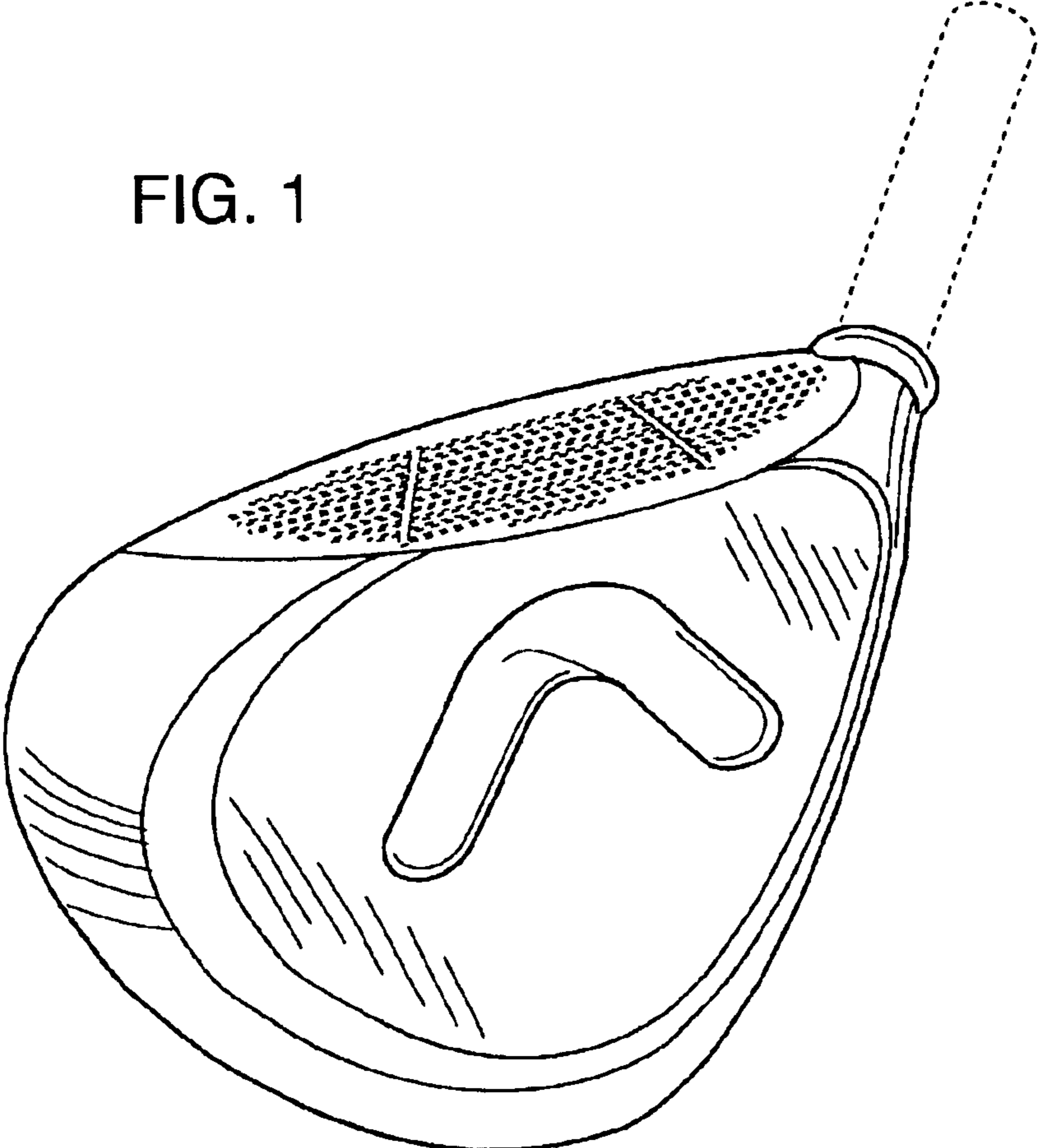


FIG. 2

FIG. 3

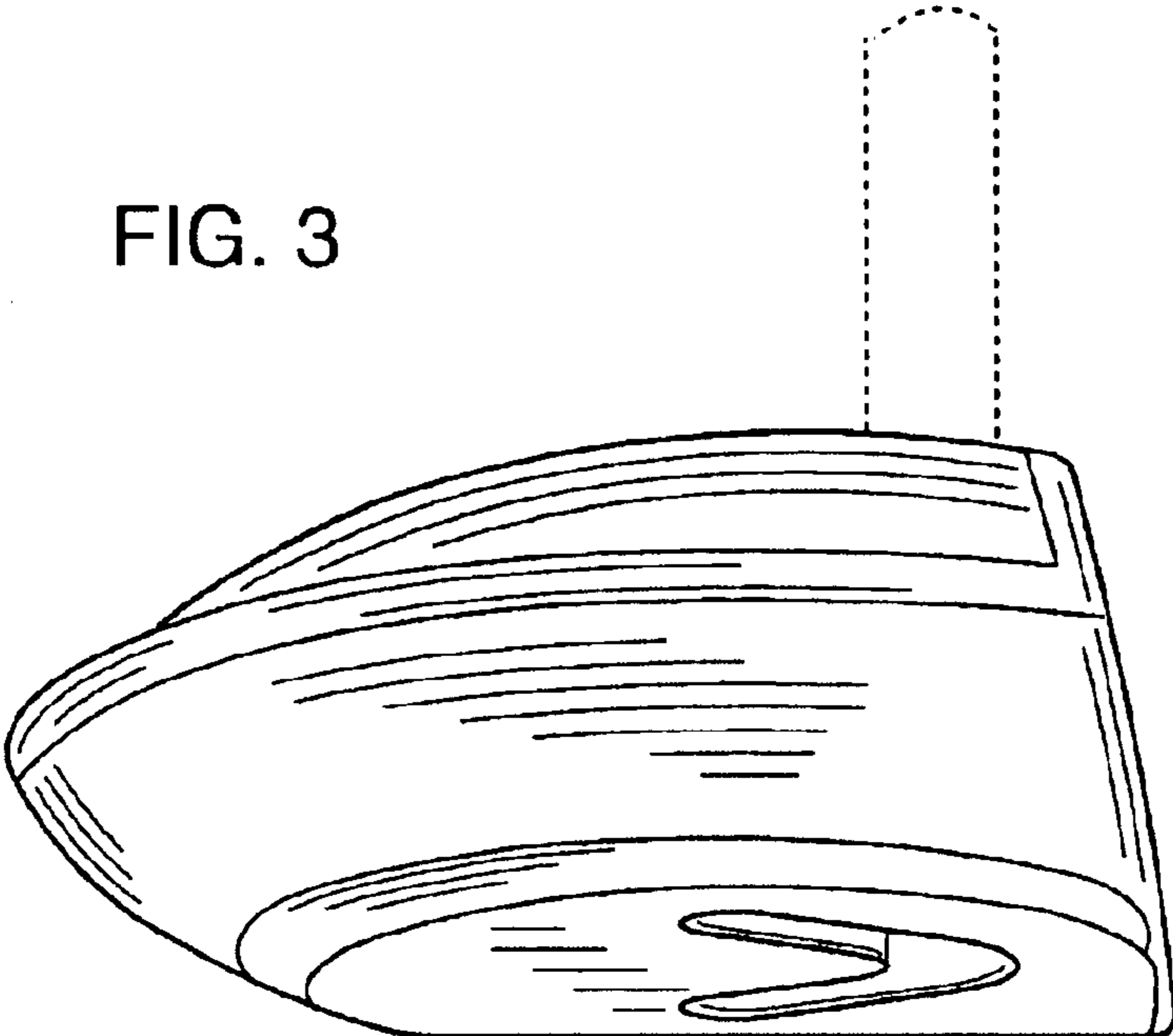


FIG. 4

