

US00D501033S

(12) **United States Design Patent**
Jour

(10) **Patent No.:** **US D501,033 S**

(45) **Date of Patent:** **** Jan. 18, 2005**

(54) **MEMO PAD HOLDER**

D294,836 S * 3/1988 Micucci D19/78
D317,179 S * 5/1991 Kheng D19/78
D404,767 S * 1/1999 Joun D19/86

(75) **Inventor:** **David C. T. Jour**, Taipei (TW)

* cited by examiner

(73) **Assignee:** **Kudos Finder Tape Industrial Co., Ltd.**, Taipei (TW)

Primary Examiner—Martie K. Holtje

(**) **Term:** **14 Years**

(74) *Attorney, Agent, or Firm*—Baker Botts L.L.P.

(21) **Appl. No.:** **29/204,022**

(57) **CLAIM**

(22) **Filed:** **Apr. 23, 2004**

The ornamental design for a memo pad holder, as shown and described.

(51) **LOC (7) Cl.** **19-06**

DESCRIPTION

(52) **U.S. Cl.** **D19/78; D19/85; D19/86**

(58) **Field of Search** D19/35, 36, 65,
D19/75, 77, 78, 81-85, 86, 91, 92, 95,
99, 100; 211/69.1-69.9, 10, 11, 13.1, 126.13;
206/214, 215, 224, 371, 425, 555

FIG. 1 is a perspective view of a memo pad holder showing my new design;

FIG. 2 is a front elevational view thereof;

FIG. 3 is a rear elevational view thereof;

FIG. 4 is a left side elevational view thereof;

FIG. 5 is a right side elevational view thereof;

FIG. 6 is a top plan view thereof;

FIG. 7 is a bottom plan view thereof; and,

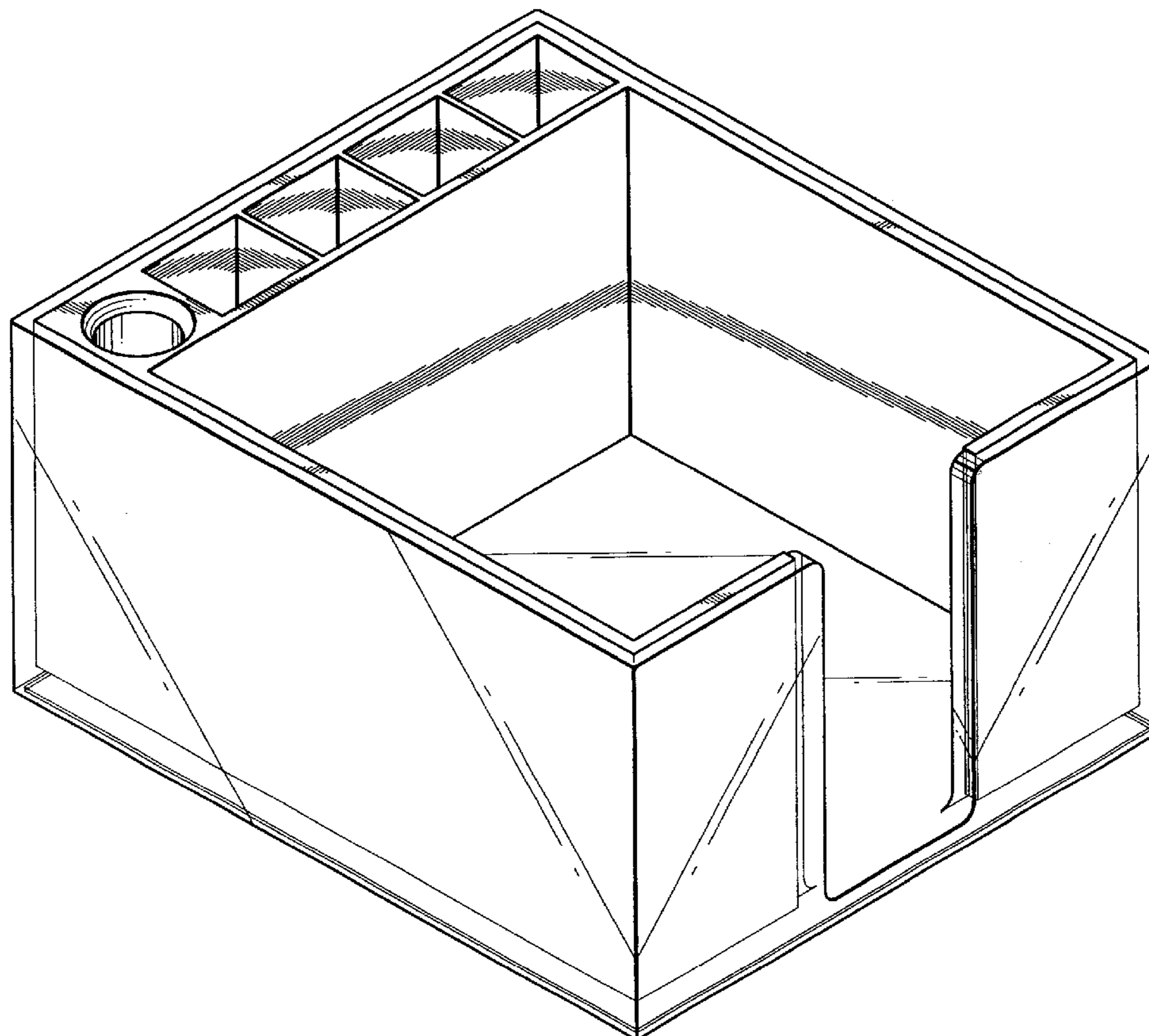
FIG. 8 is a perspective view thereof in an exploded condition.

(56) **References Cited**

U.S. PATENT DOCUMENTS

D101,710 S * 10/1936 Patterson D19/75
4,066,171 A * 1/1978 Fowlie 211/69.1
D267,959 S * 2/1983 Cheung D19/78
D272,917 S * 3/1984 Micucci D19/78

1 Claim, 5 Drawing Sheets



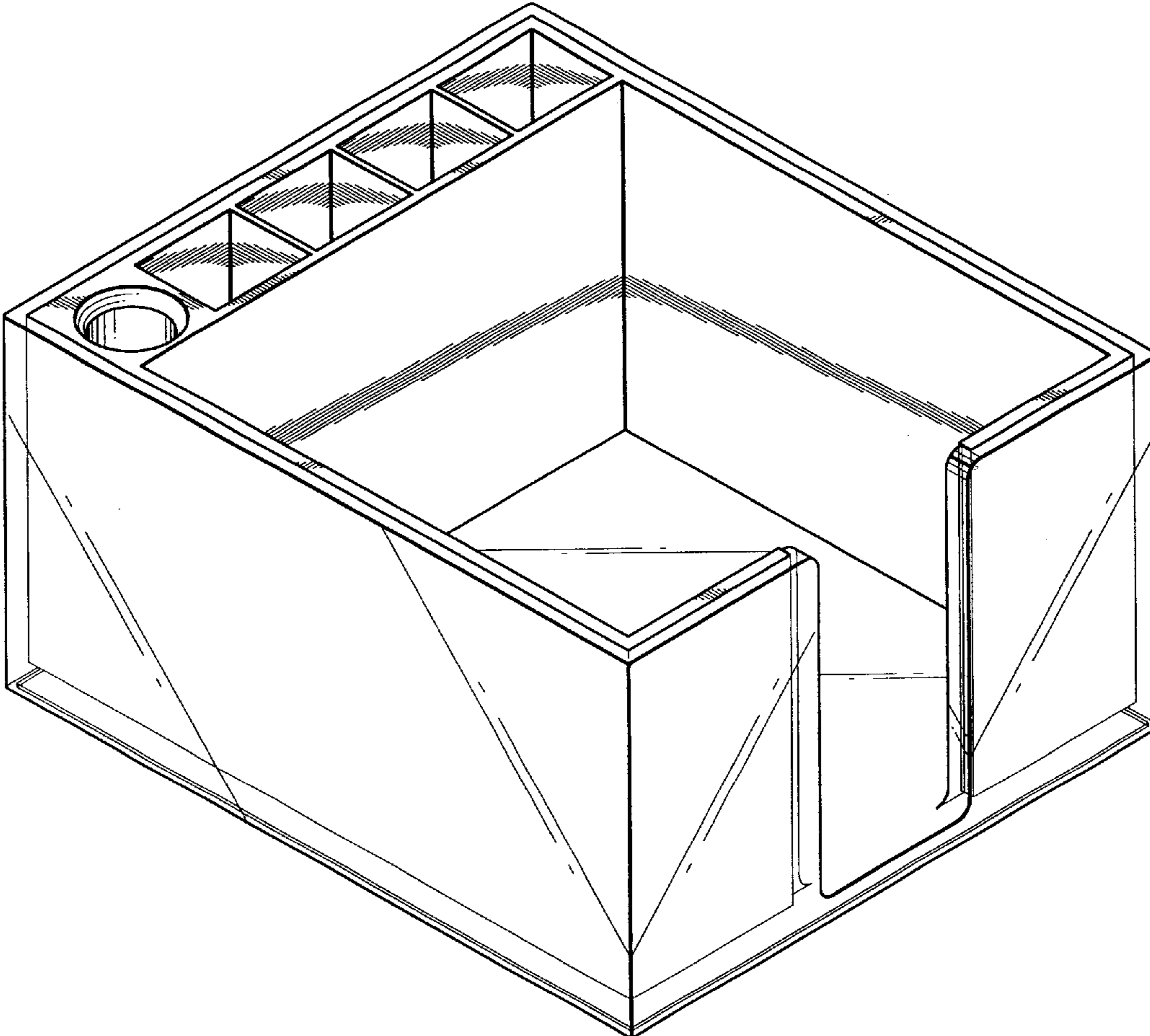


FIG. 1

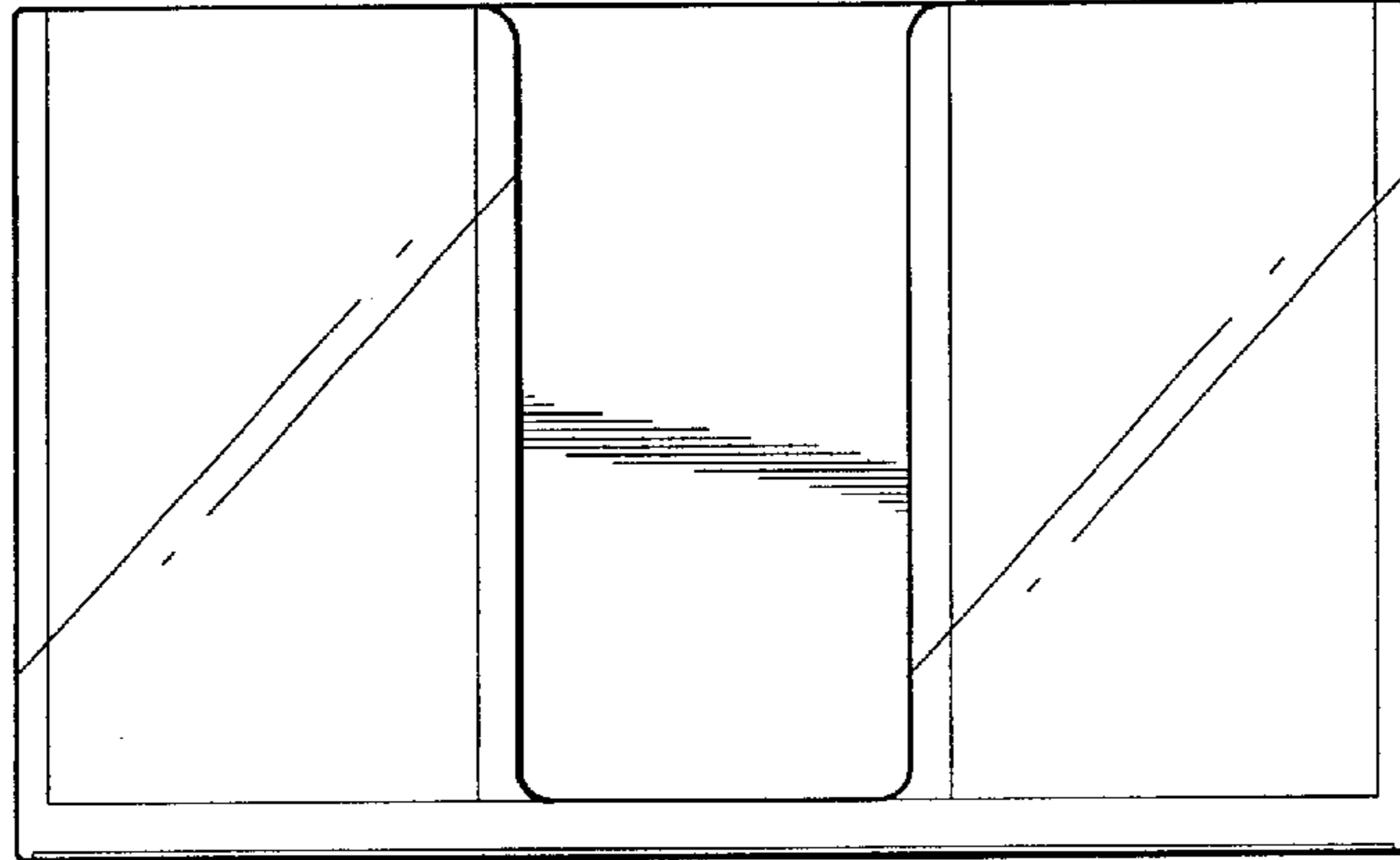


FIG. 2

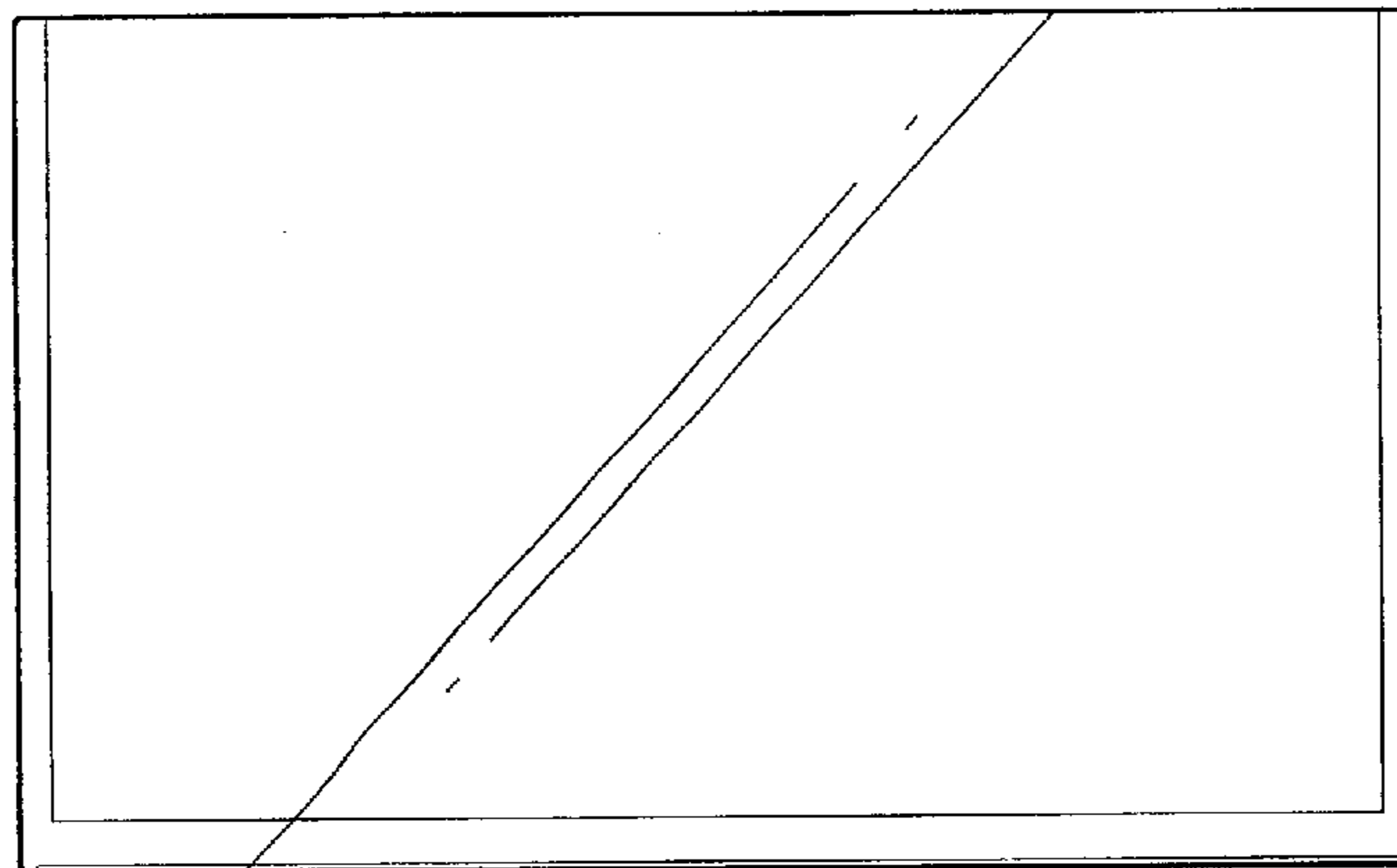


FIG. 3

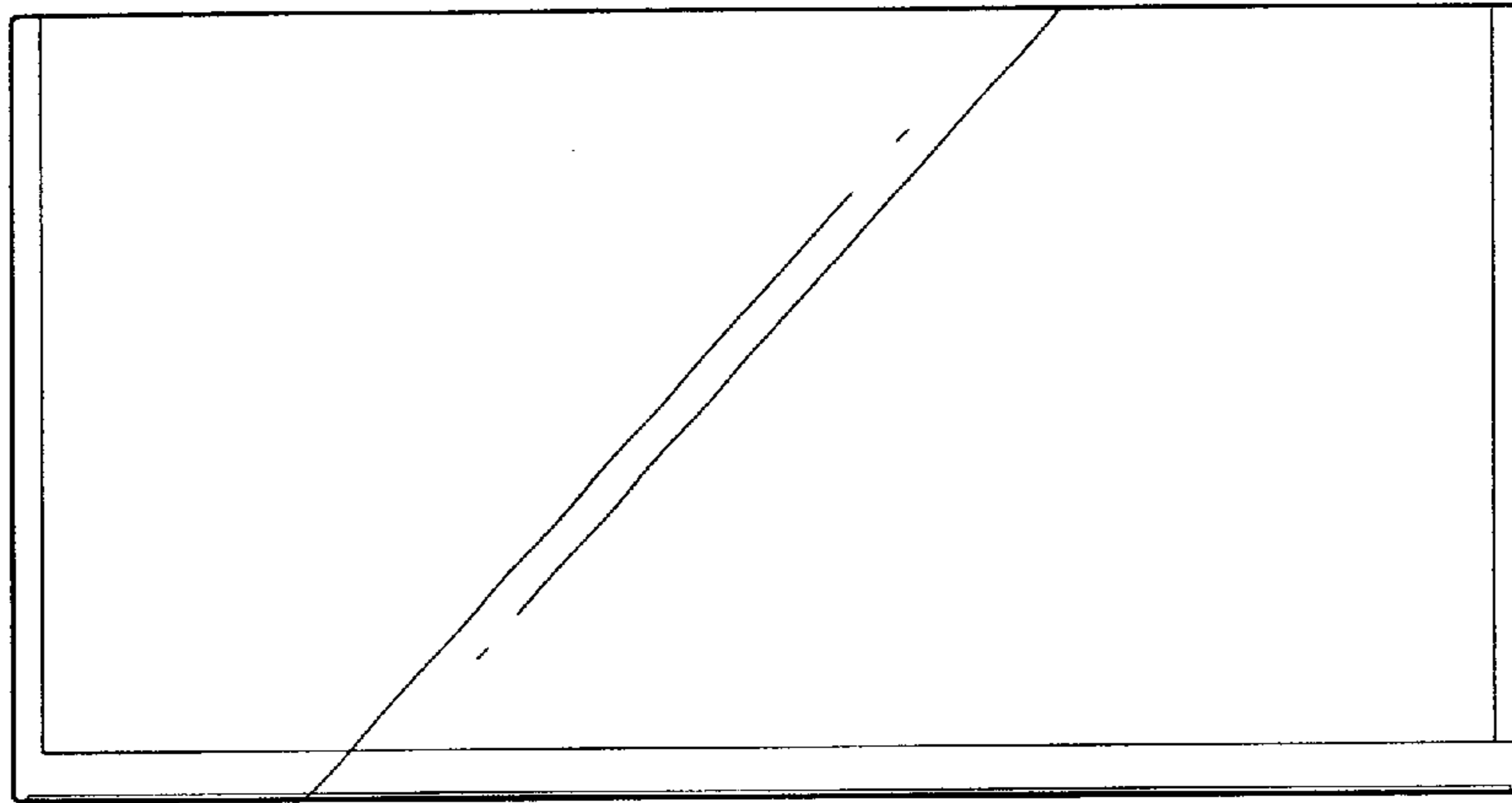


FIG. 4

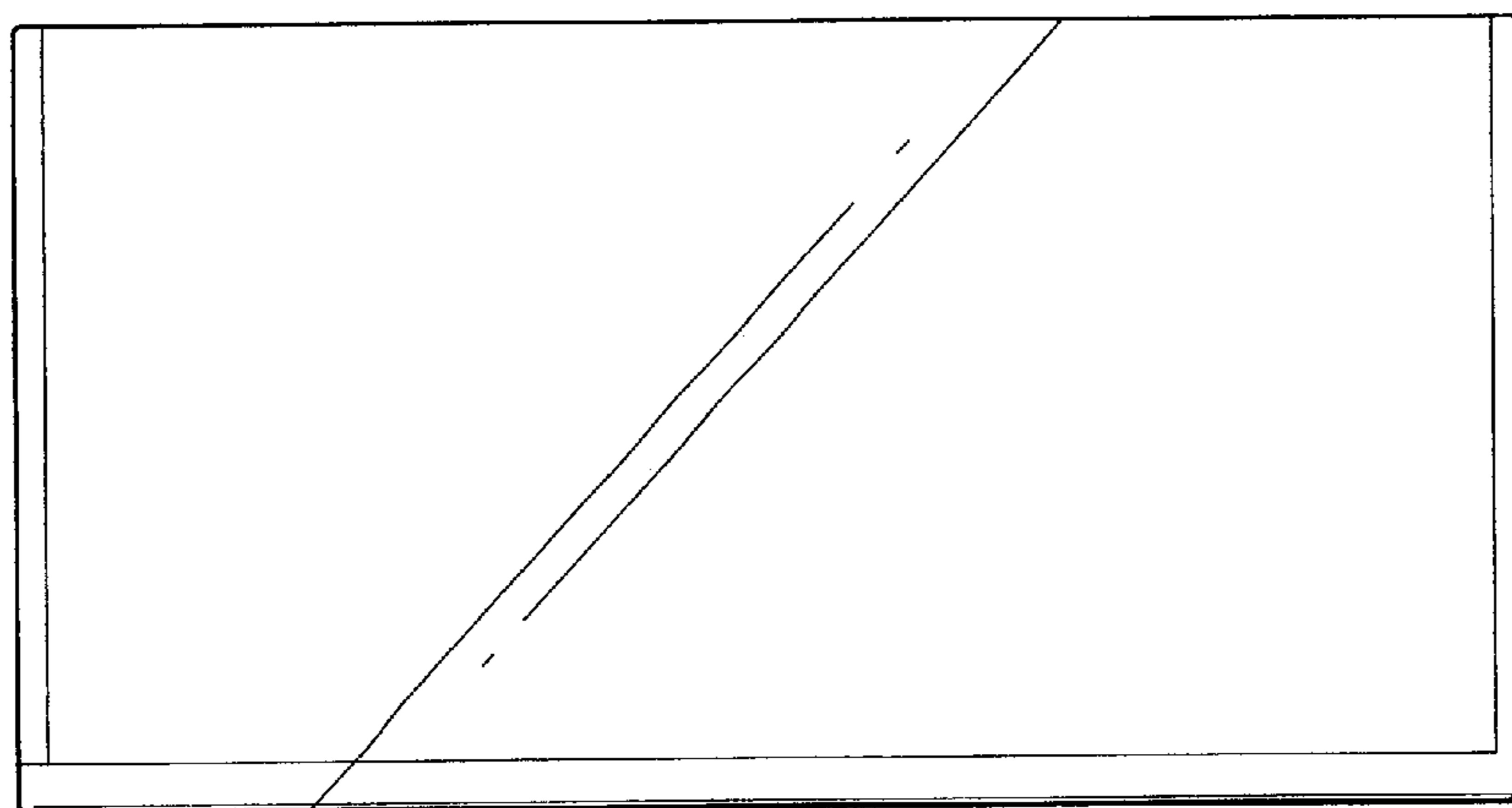


FIG. 5

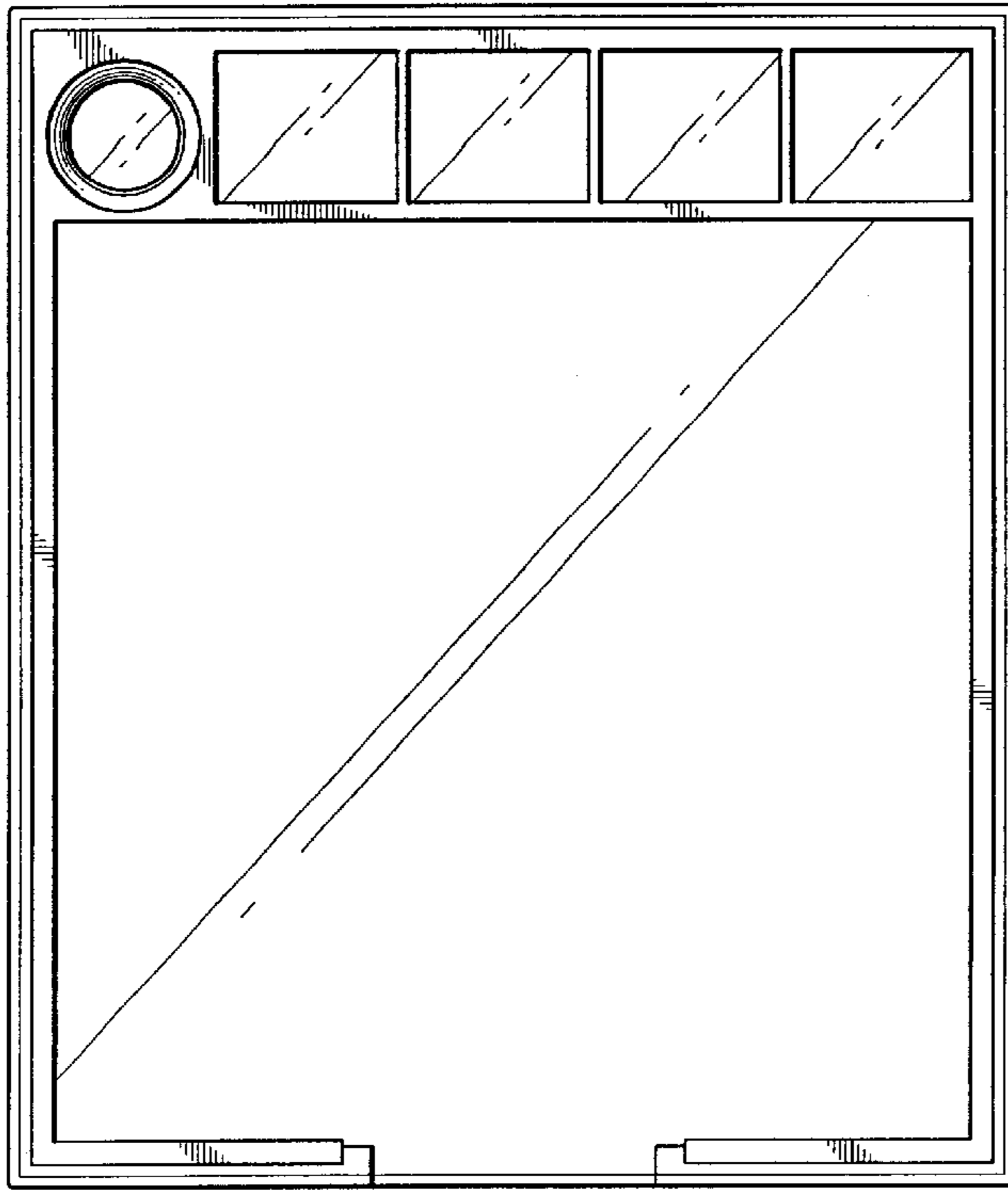


FIG. 6

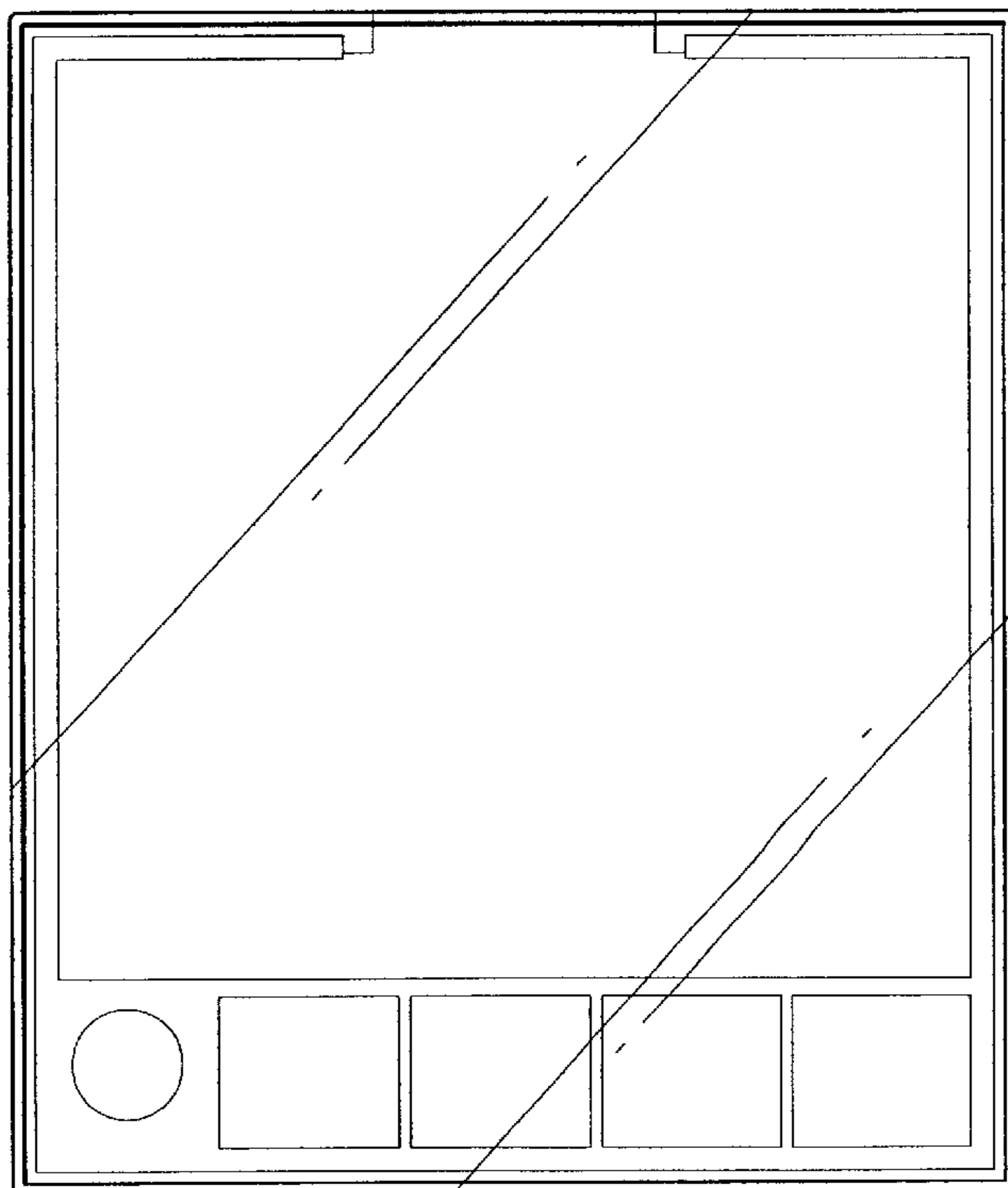


FIG. 7

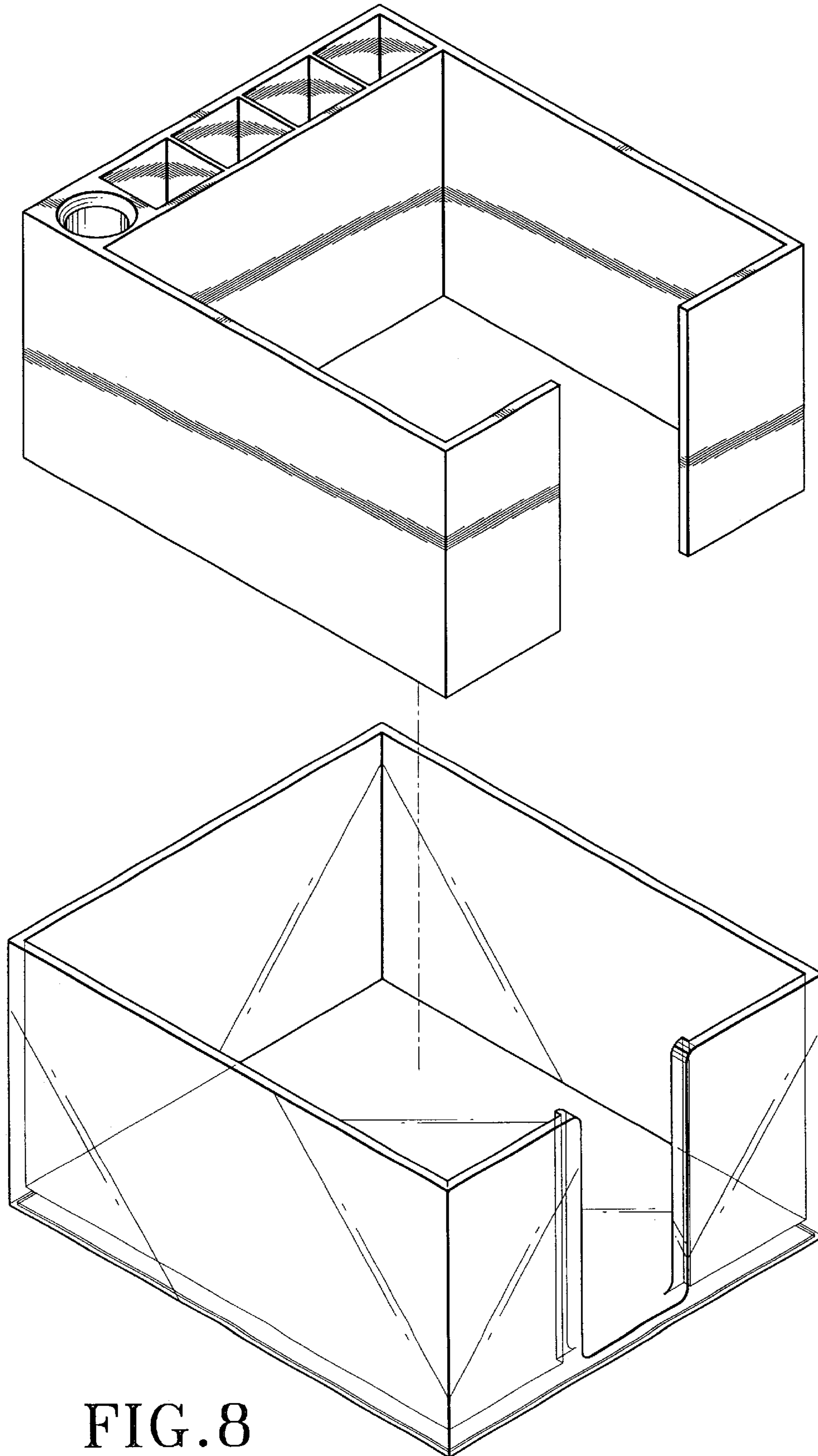


FIG. 8