

US00D501023S

(12) **United States Design Patent**
Tanaka

(10) **Patent No.:** **US D501,023 S**
(45) **Date of Patent:** **** Jan. 18, 2005**

(54) **TONER STORAGE CONTAINER**
(75) Inventor: **Yoshiaki Tanaka**, Numazu (JP)
(73) Assignee: **Toshiba Tec Kabushiki Kaisha**, Tokyo (JP)
(**) Term: **14 Years**

(21) Appl. No.: **29/189,339**
(22) Filed: **Sep. 4, 2003**

(30) **Foreign Application Priority Data**

Mar. 6, 2003 (JP) 2003-005859

(51) **LOC (7) Cl.** **16-03**
(52) **U.S. Cl.** **D18/43**
(58) **Field of Search** D18/12, 40, 43,
D18/56; D14/471, 481, 483; 222/DIG. 1;
399/24-31, 110-125, 252-262; 400/207,
208; D9/500, 520; 209/447

(56) **References Cited**

U.S. PATENT DOCUMENTS

D424,608 S * 5/2000 Yorifuji et al. D18/40

D490,843 S * 6/2004 Minagawa et al. D18/43
D490,844 S * 6/2004 Okino et al. D18/43

* cited by examiner

Primary Examiner—Caron D. Veynar
(74) *Attorney, Agent, or Firm*—Morrison & Foerster LLP

(57) **CLAIM**

The ornamental design for a toner storage container, as shown.

DESCRIPTION

FIG. 1 is a front, bottom and right side perspective view of a toner storage container showing my new design;
FIG. 2 is a front, bottom and left side perspective view thereof;
FIG. 3 is a front elevational view thereof;
FIG. 4 is a rear elevational view thereof;
FIG. 5 is a top plan view thereof;
FIG. 6 is a bottom plan view thereof;
FIG. 7 is a left elevational view thereof; and,
FIG. 8 is a right elevational view thereof.

1 Claim, 4 Drawing Sheets

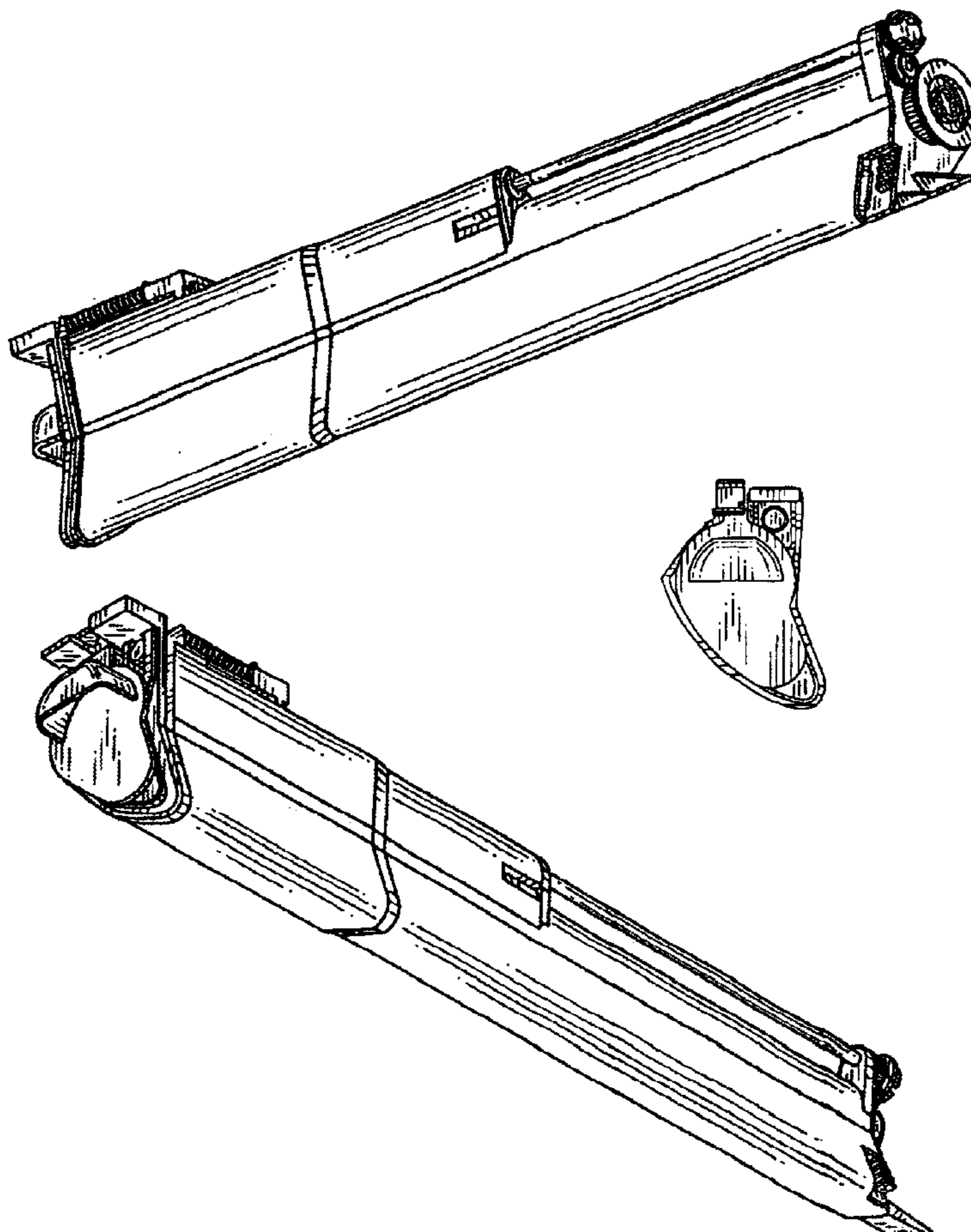


FIG. 1

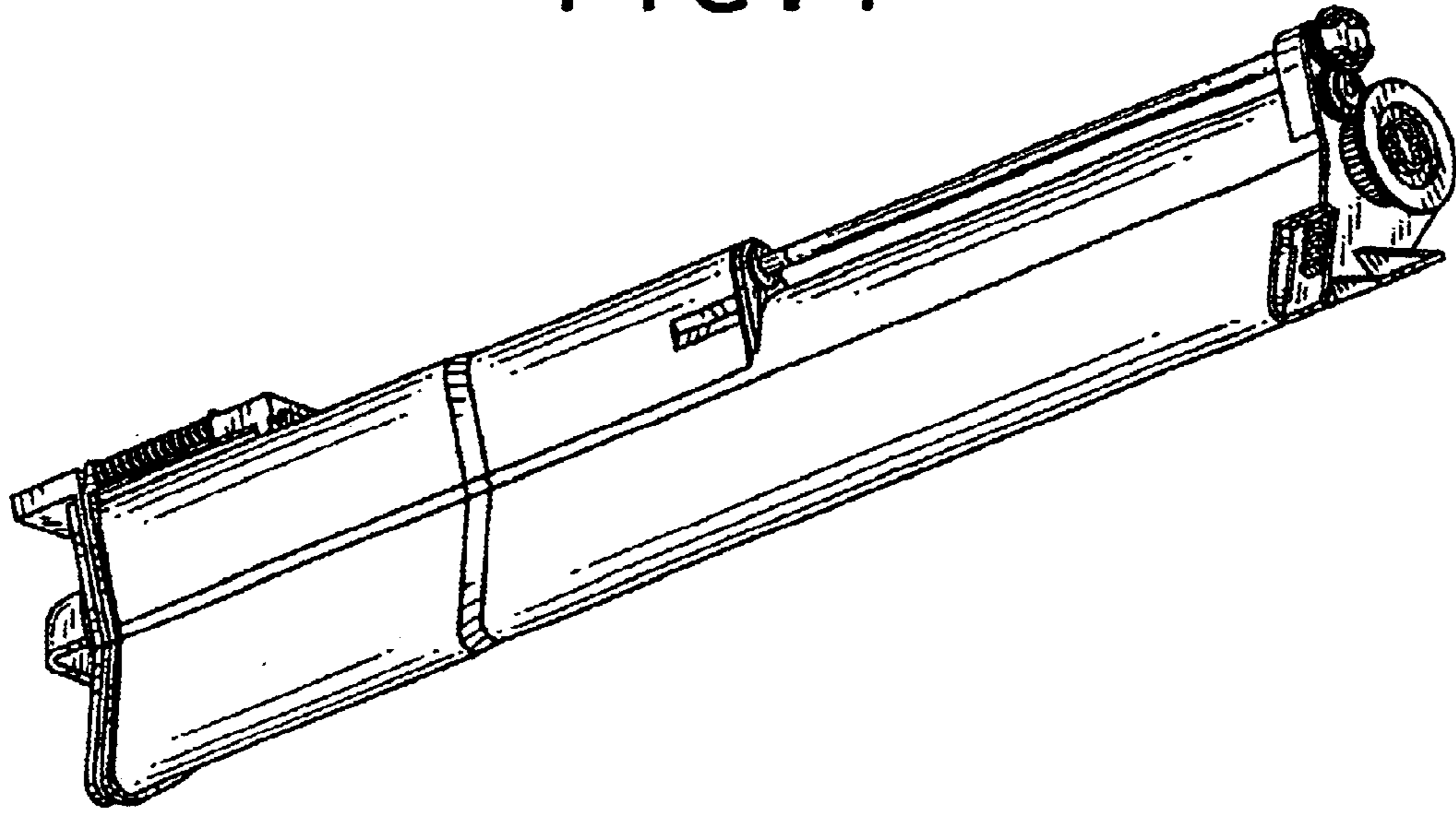


FIG. 2

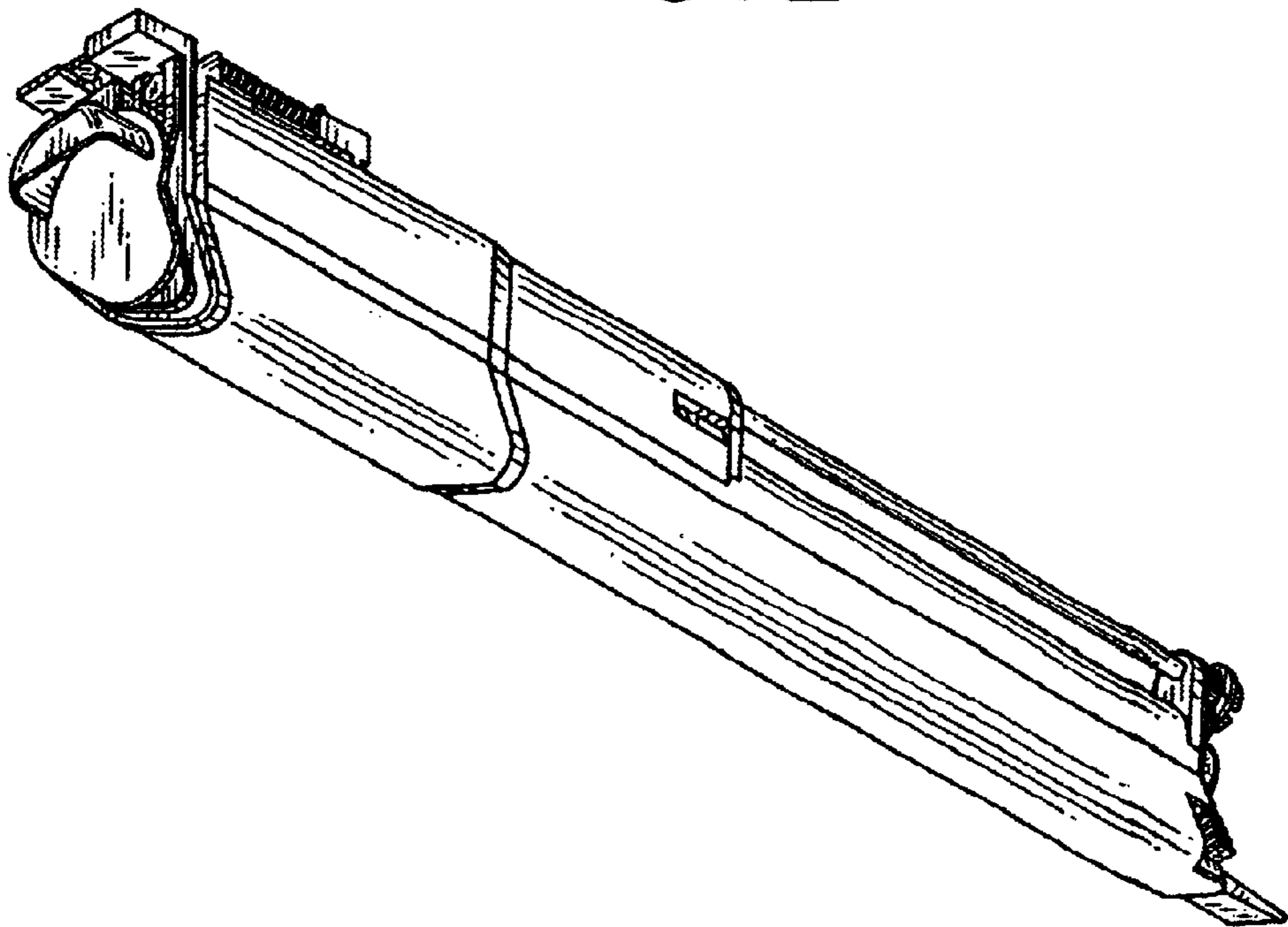


FIG. 3

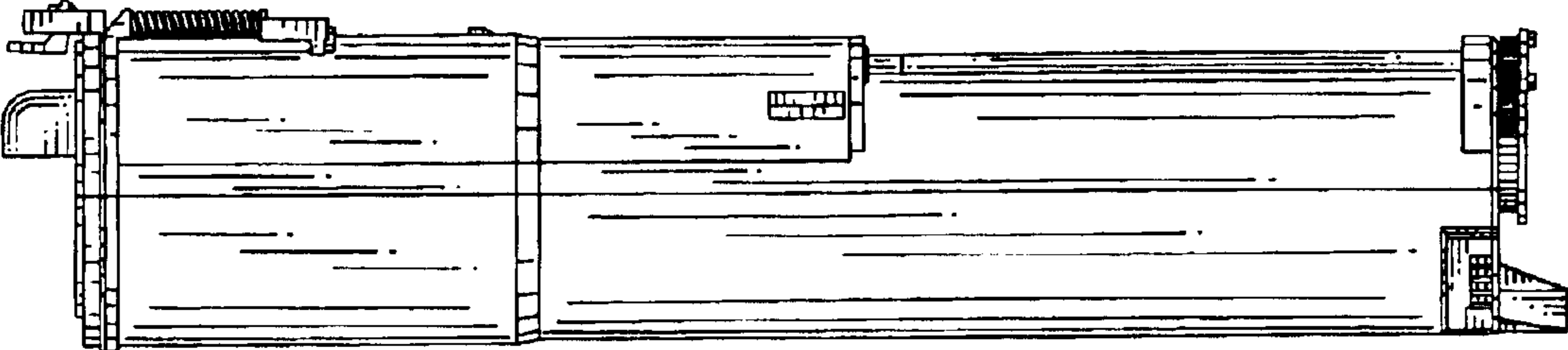


FIG. 4

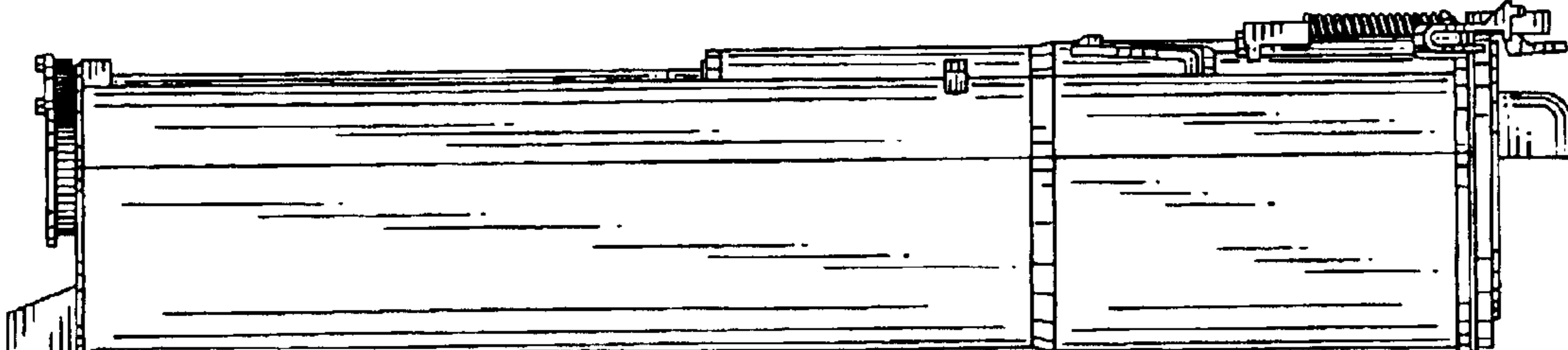


FIG. 5

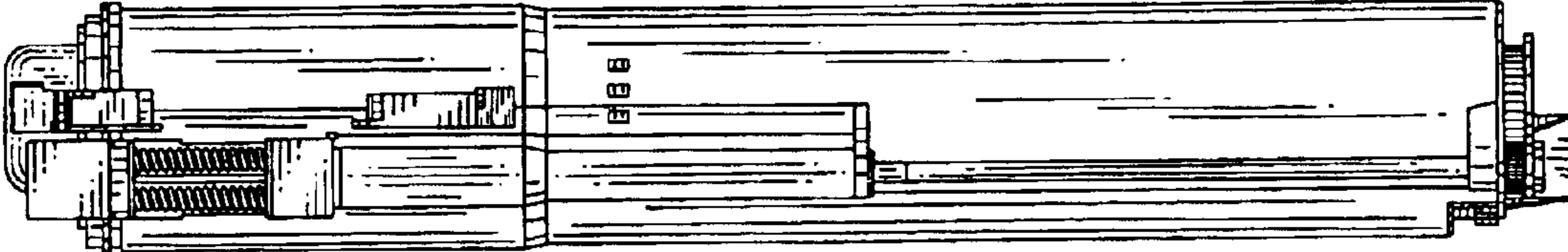


FIG. 6

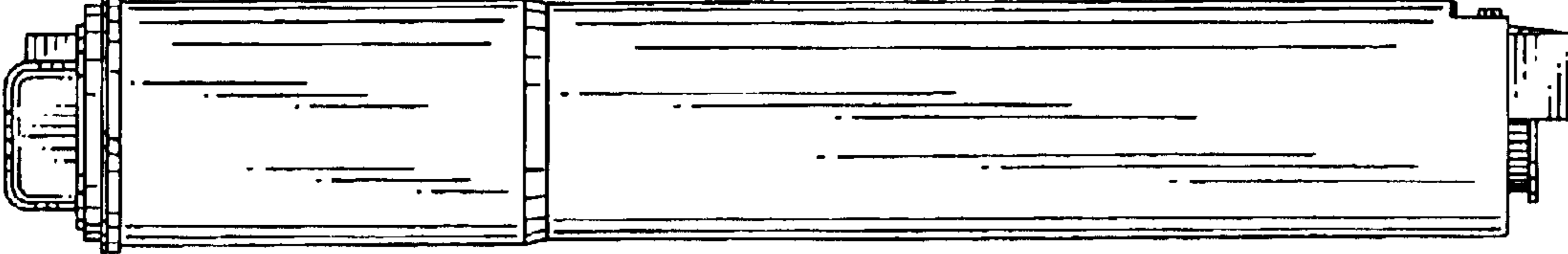


FIG. 7

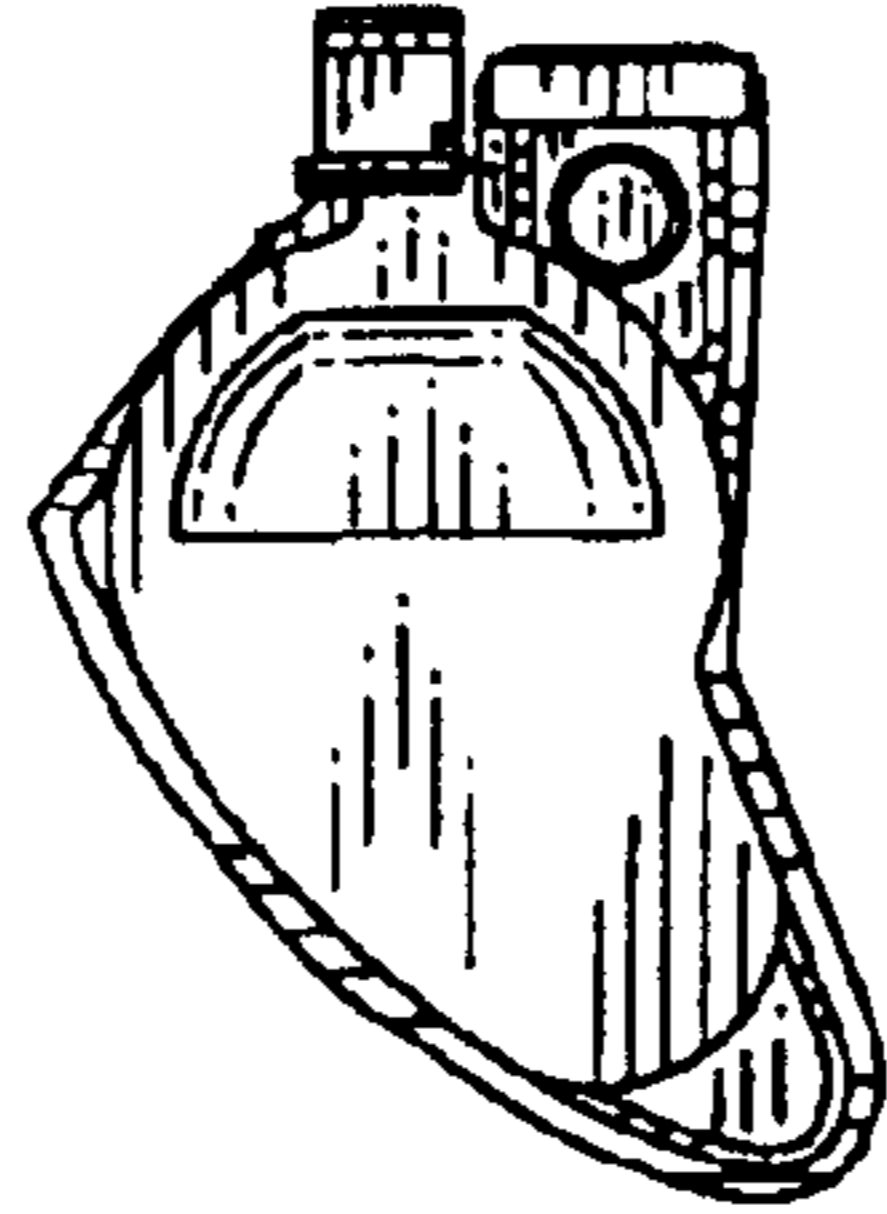


FIG. 8

