

US00D501022S

(12) **United States Design Patent**  
**Saiki et al.**

(10) **Patent No.:** **US D501,022 S**  
(45) **Date of Patent:** **\*\* Jan. 18, 2005**

- (54) **IMAGE FORMING APPARATUS**
- (75) Inventors: **Atsuna Saiki**, Iwatsuki (JP); **Toshio Takiguchi**, Iwatsuki (JP); **Satoshi Fujioka**, Iwatsuki (JP)
- (73) Assignee: **Fuji Xerox Company, Limited**, Tokyo (JP)
- (\*\*) Term: **14 Years**
- (21) Appl. No.: **29/194,491**
- (22) Filed: **Nov. 26, 2003**
- (30) **Foreign Application Priority Data**  
May 28, 2003 (JP) ..... 2003-014999
- (51) **LOC (7) Cl.** ..... **16-03**
- (52) **U.S. Cl.** ..... **D18/40**
- (58) **Field of Search** ..... D18/12, 40, 43, D18/56; D14/471, 481, 483; 222/DIG. 1; 399/24-31, 110-125, 252-263, 130, 222-224

- D378,830 S \* 4/1997 Kim ..... D18/43
- D397,140 S \* 8/1998 Oshida ..... D18/40
- D475,082 S \* 5/2003 Kubota et al. .... D18/40
- D489,752 S \* 5/2004 Yamaguchi et al. .... D18/40
- 2004/0120724 A1 \* 6/2004 Takiguchi ..... 399/111

\* cited by examiner

*Primary Examiner*—Caron D. Veynar  
(74) *Attorney, Agent, or Firm*—Oliff & Berridge, PLC

(57) **CLAIM**

The ornamental design for an image forming apparatus, as shown and described.

**DESCRIPTION**

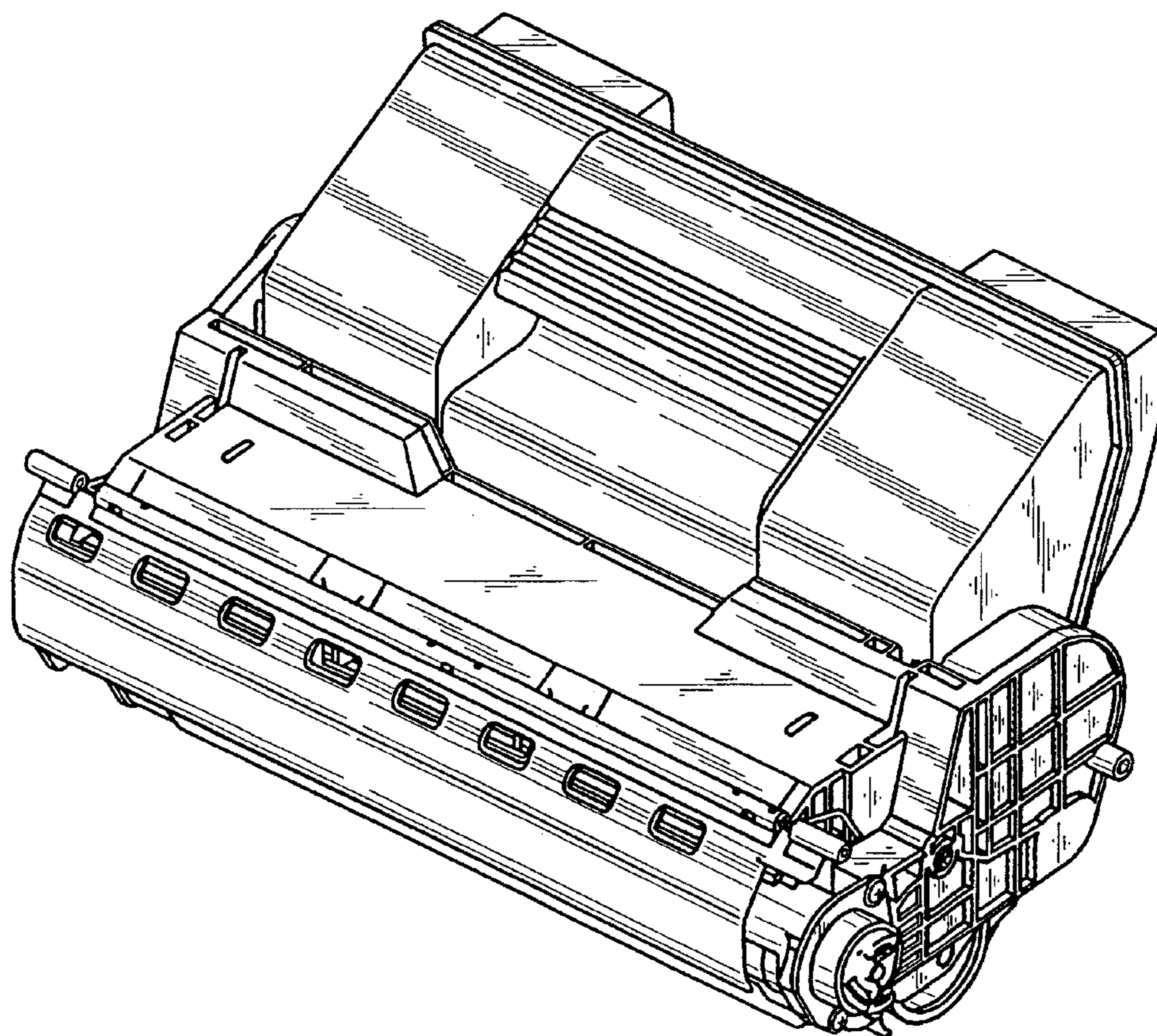
FIG. 1 is a perspective view of the top, front and right side of an image forming apparatus showing our new design; FIG. 2 is a front view thereof; FIG. 3 is a rear view thereof; FIG. 4 is a top plan view thereof; FIG. 5 is a bottom view thereof; FIG. 6 is a left side view thereof; and, FIG. 7 is a right side view thereof.

(56) **References Cited**

**U.S. PATENT DOCUMENTS**

- D322,279 S \* 12/1991 Tsutsui ..... D18/43

**1 Claim, 6 Drawing Sheets**



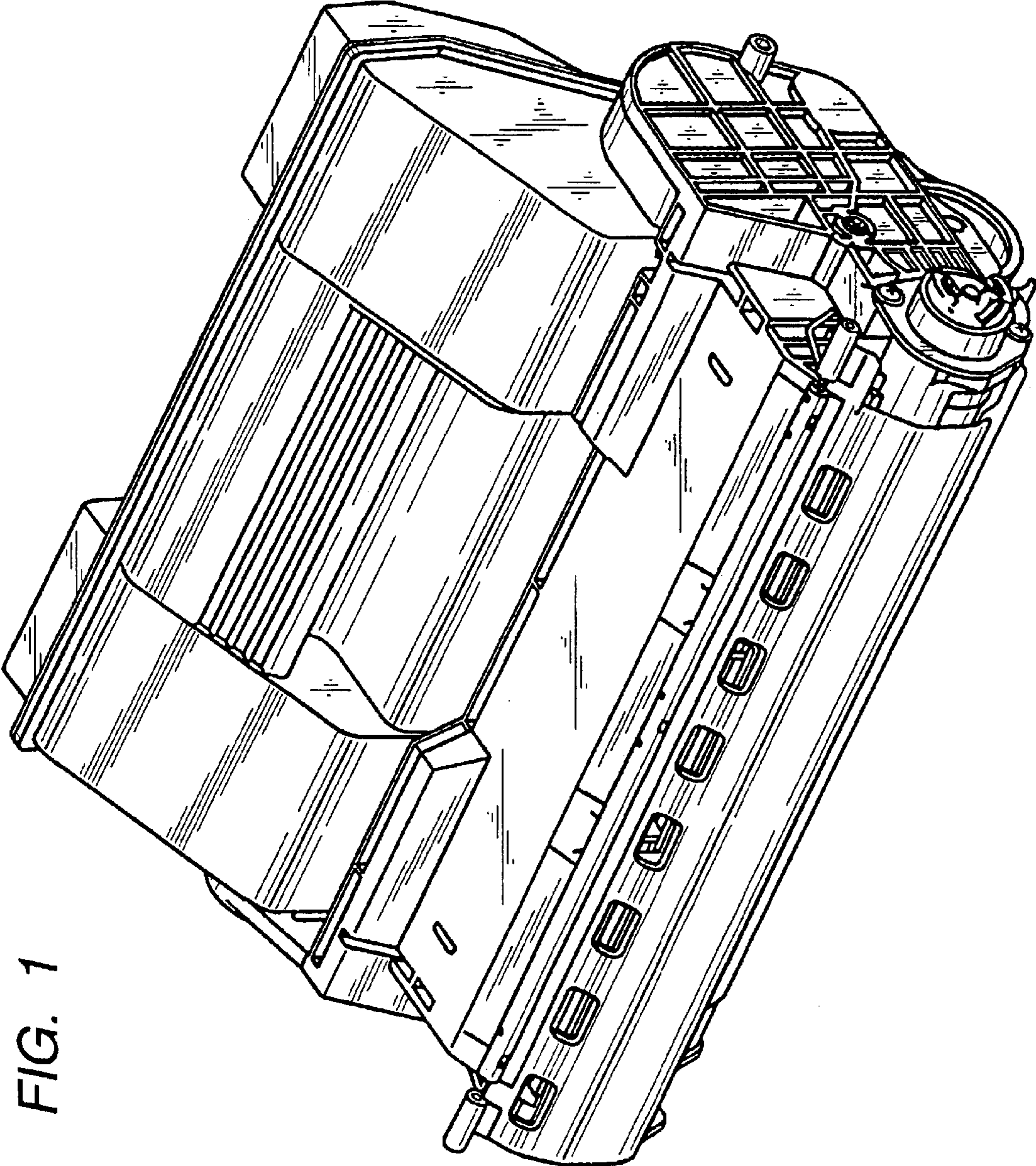


FIG. 1



FIG. 2

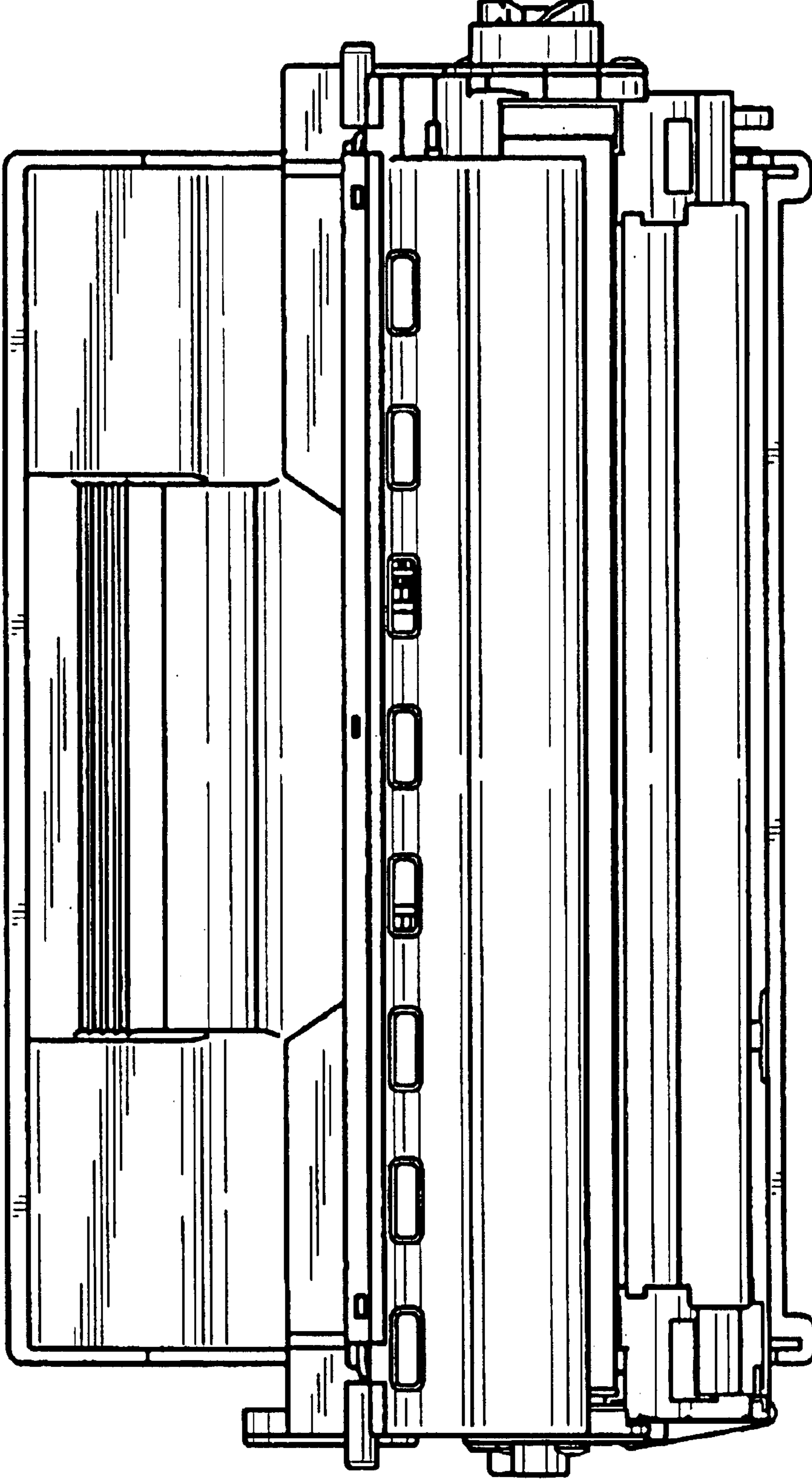


FIG. 3

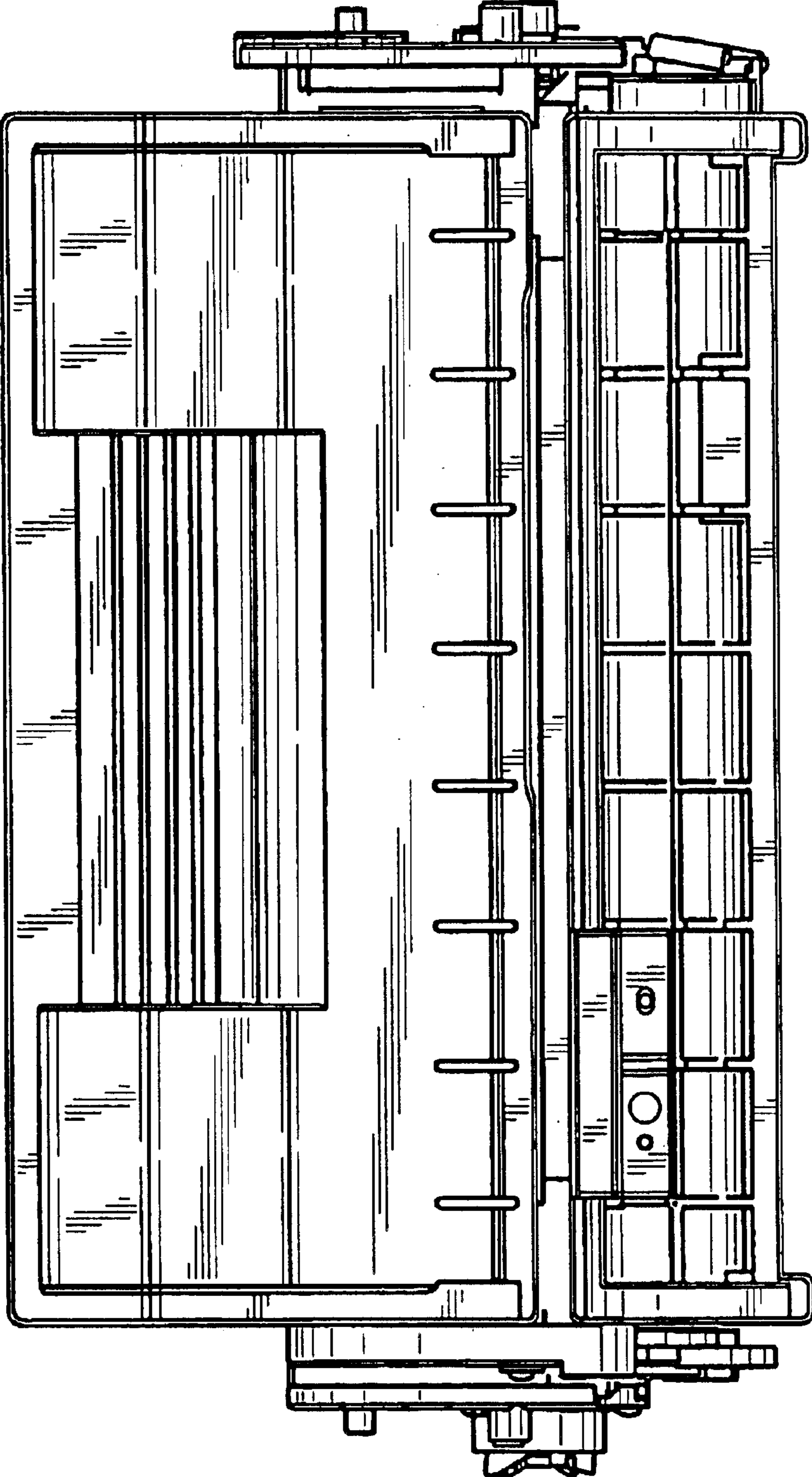


FIG. 4

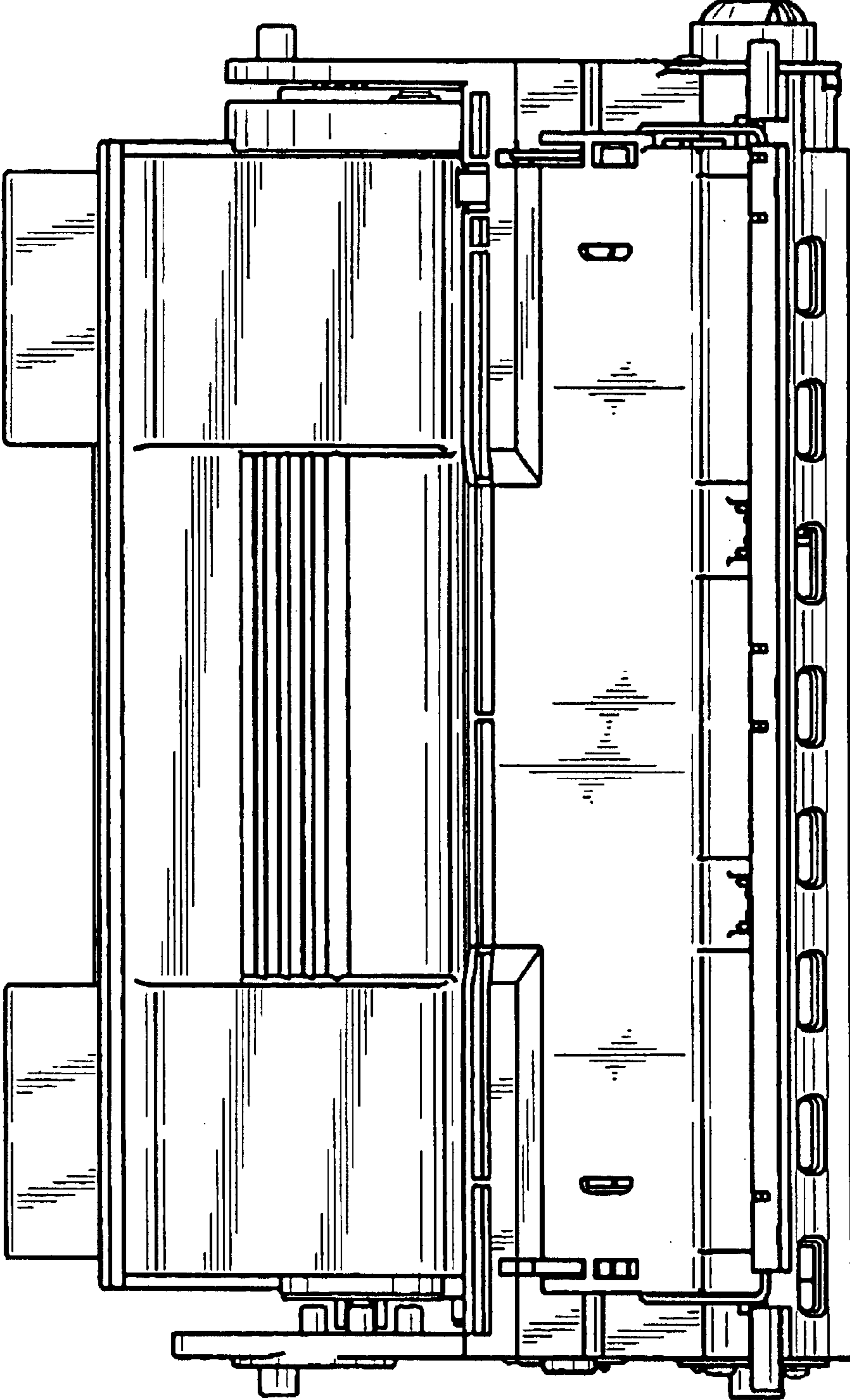
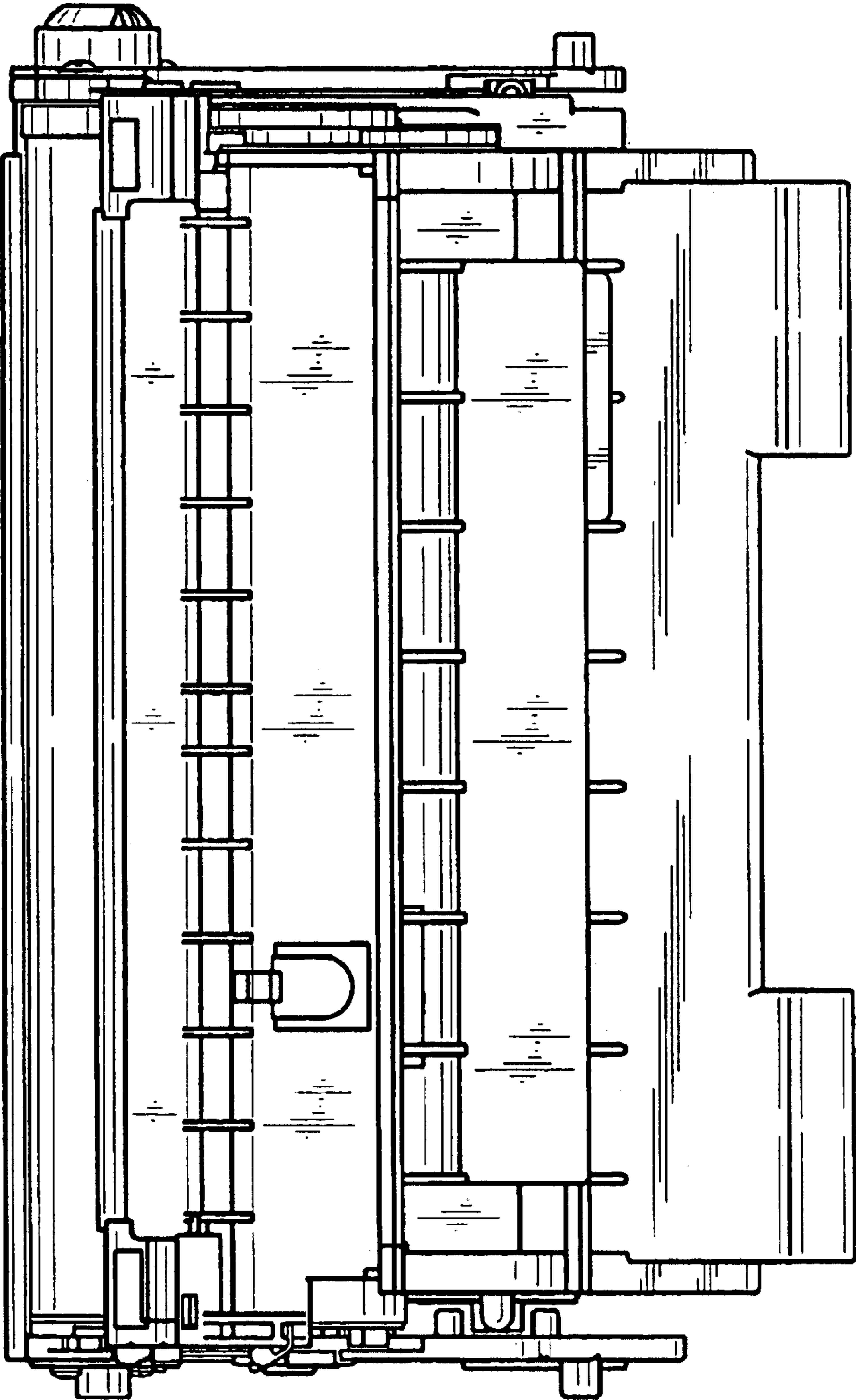
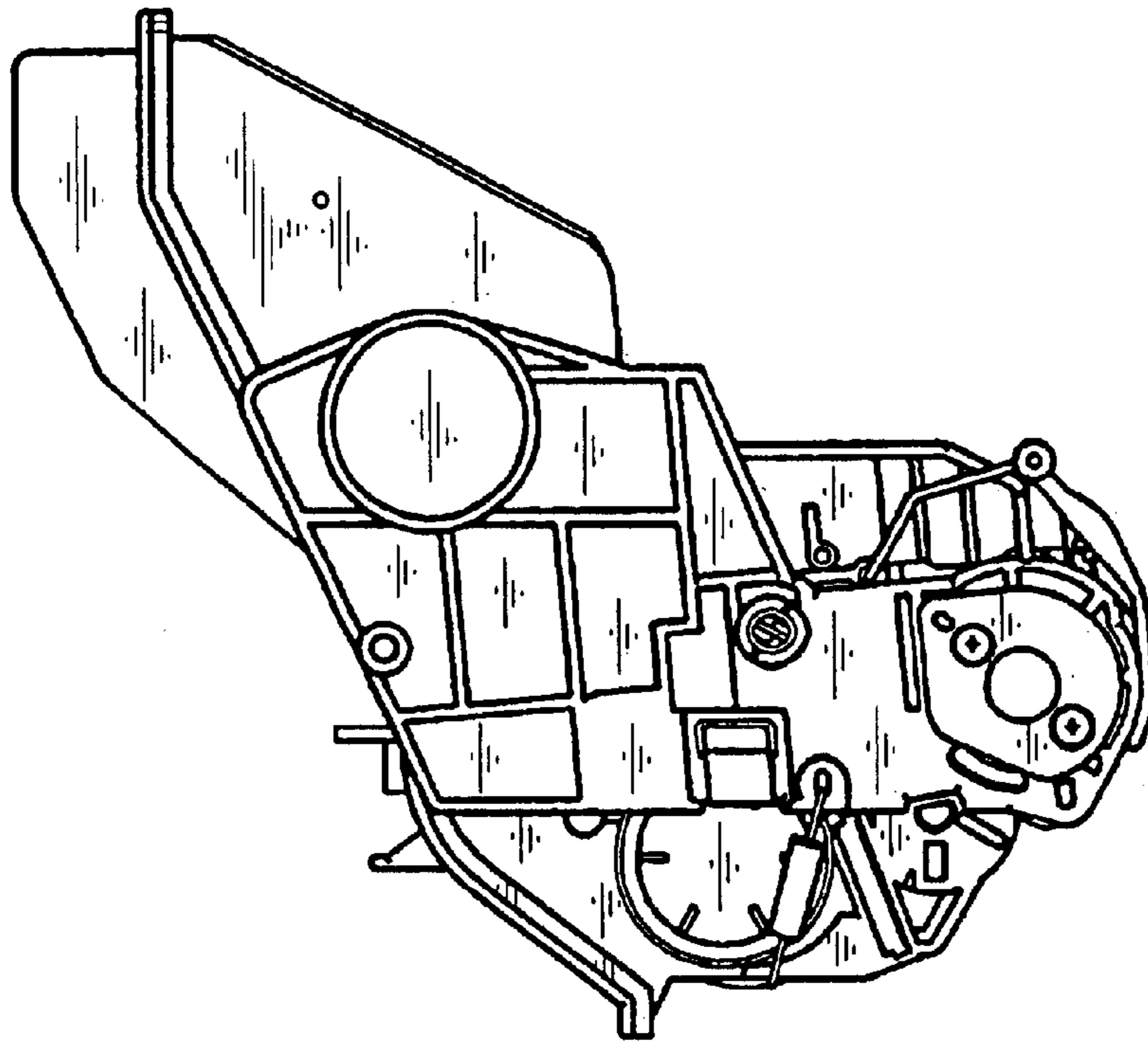


FIG. 5



*FIG. 6*



*FIG. 7*

