

US00D501021S

(12) **United States Design Patent**
Saiki et al.

(10) **Patent No.:** **US D501,021 S**
(45) **Date of Patent:** **** Jan. 18, 2005**

(54) **IMAGE FORMING APPARATUS**

(75) Inventors: **Atsuna Saiki**, Iwatsuki (JP); **Toshio Takiguchi**, Iwatsuki (JP); **Satoshi Fujioka**, Iwatsuki (JP)

(73) Assignee: **Fuji Xerox Company, Limited**, Tokyo (JP)

(**) Term: **14 Years**

(21) Appl. No.: **29/194,490**

(22) Filed: **Nov. 26, 2003**

(30) **Foreign Application Priority Data**

May 28, 2003 (JP) 2003-015000

(51) **LOC (7) Cl.** **16-03**

(52) **U.S. Cl.** **D18/40**

(58) **Field of Search** D18/12, 40, 43, D18/56; D14/471, 481, 483; 222/DIG. 1; 399/24-31, 110-125, 252-263, 130, 222-224

(56) **References Cited**

U.S. PATENT DOCUMENTS

D322,279 S * 12/1991 Tsutsui D18/43

D378,830 S * 4/1997 Kim D18/43
D397,140 S * 8/1998 Oshida D18/40
D475,082 S * 5/2003 Kubota et al. D18/40
D489,752 S * 5/2004 Yamaguchi et al. D18/40
2004/0120724 A1 * 6/2004 Takiguchi 399/111

* cited by examiner

Primary Examiner—Caron D. Veynar

(74) *Attorney, Agent, or Firm*—Oliff & Berridge, PLC

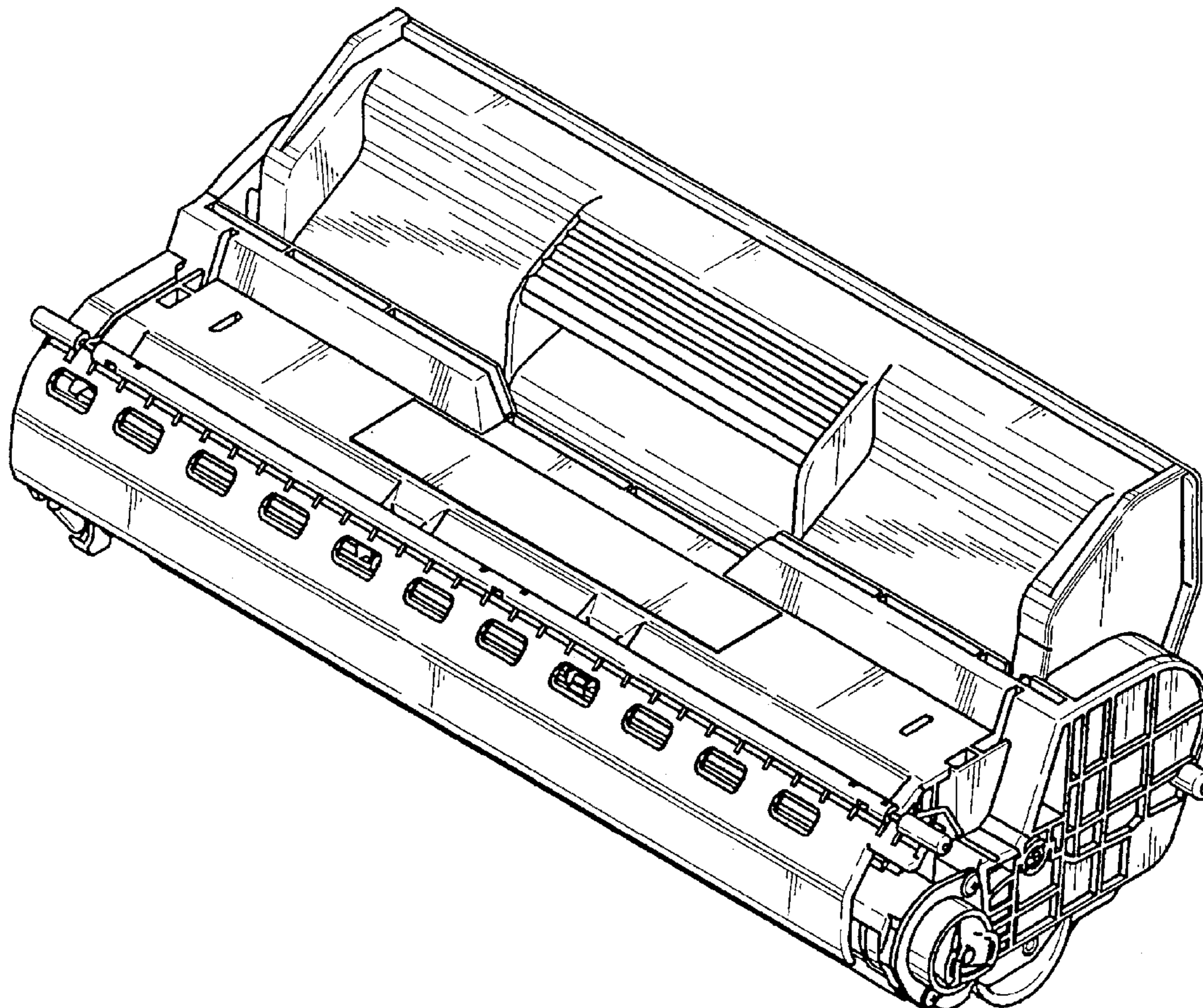
(57) **CLAIM**

The ornamental design for an image forming apparatus, as shown and described.

DESCRIPTION

FIG. 1 is a perspective view of the top, front and right side of an image forming apparatus showing our new design; FIG. 2 is a front view thereof; FIG. 3 is a rear view thereof; FIG. 4 is a top plan view thereof; FIG. 5 is a bottom view thereof; FIG. 6 is a left side view thereof; and, FIG. 7 is a right side view thereof.

1 Claim, 6 Drawing Sheets



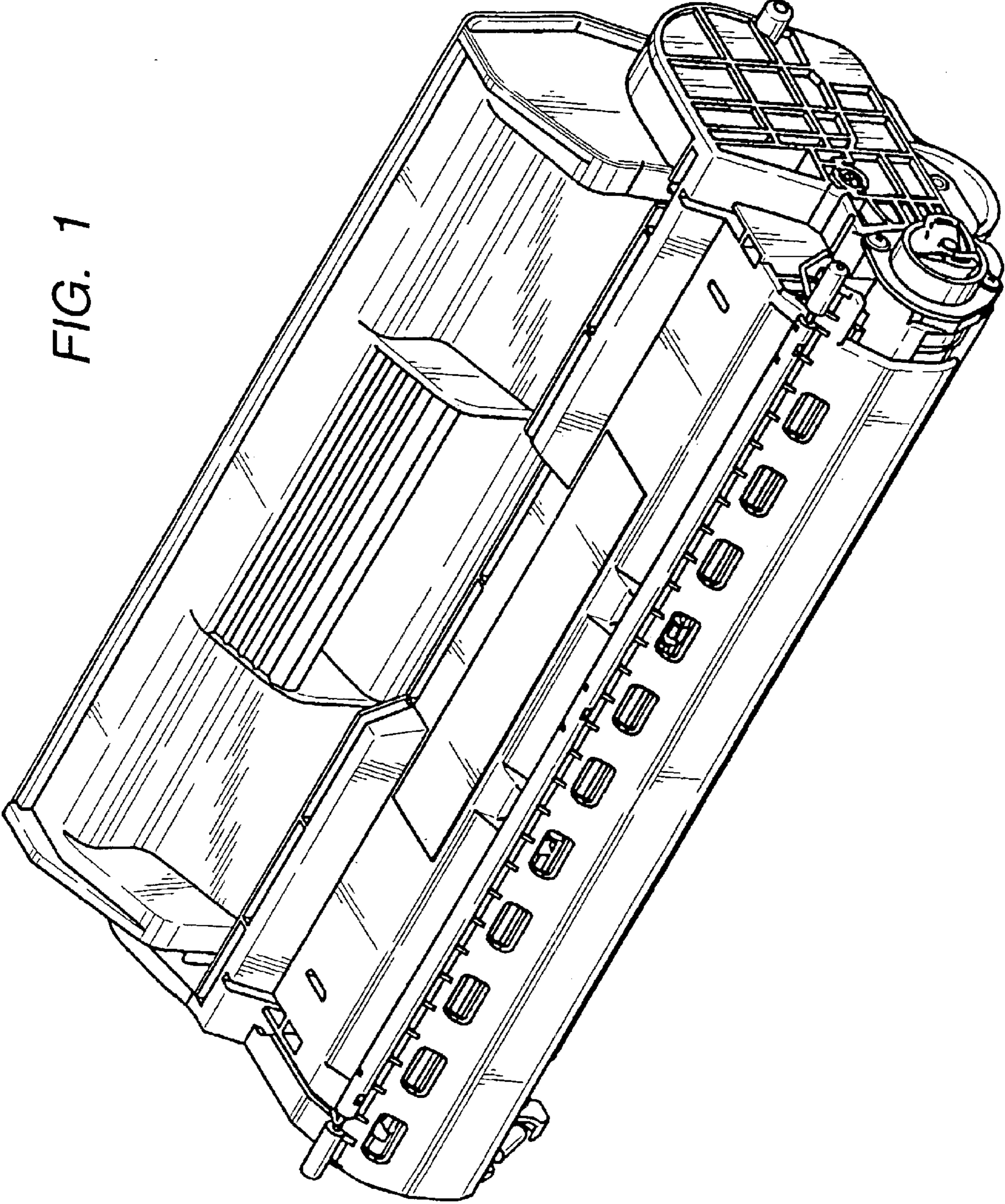


FIG. 1

FIG. 2

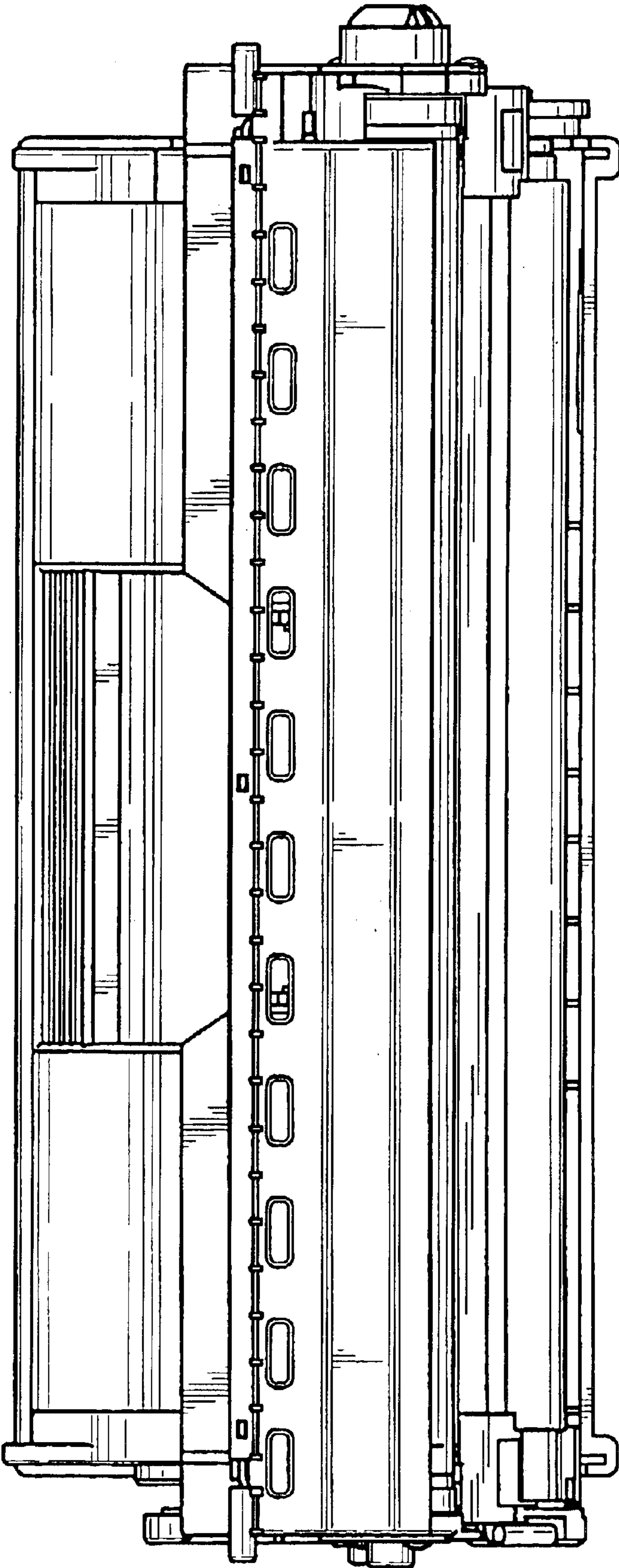


FIG. 3

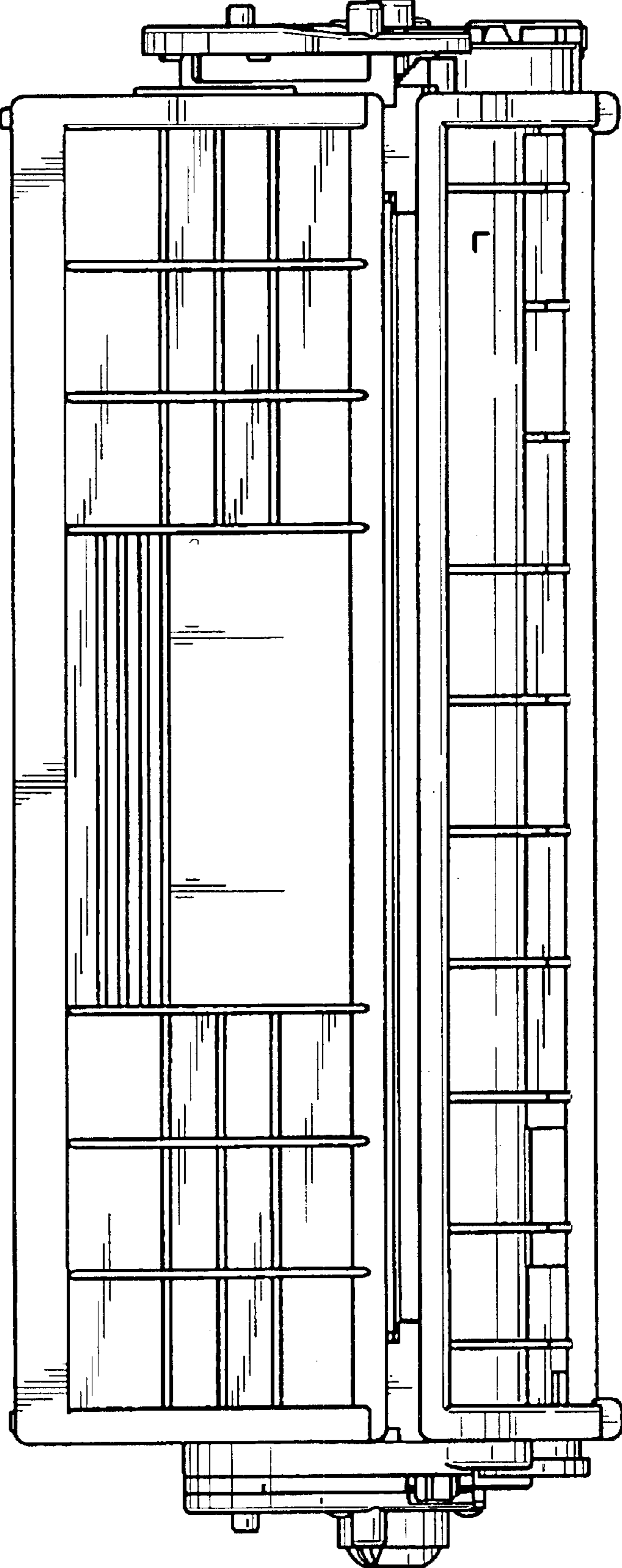


FIG. 4

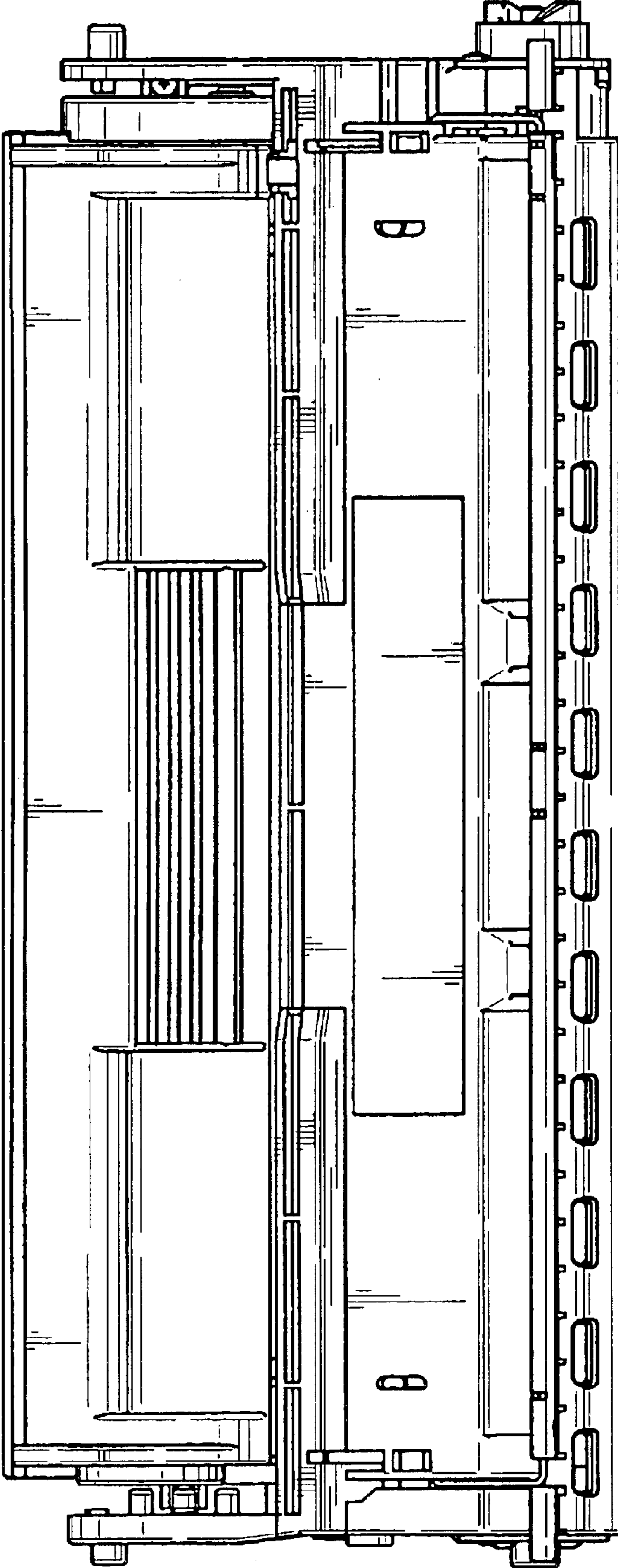


FIG. 5

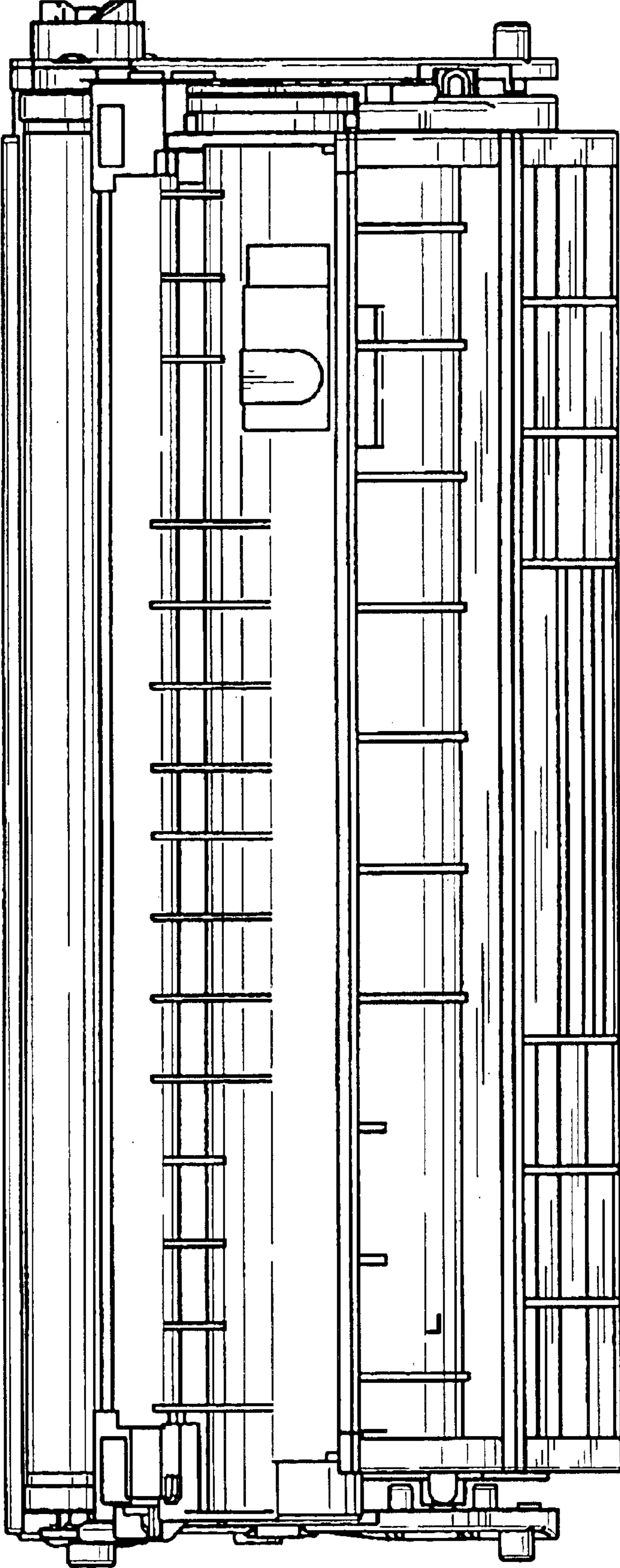


FIG. 6

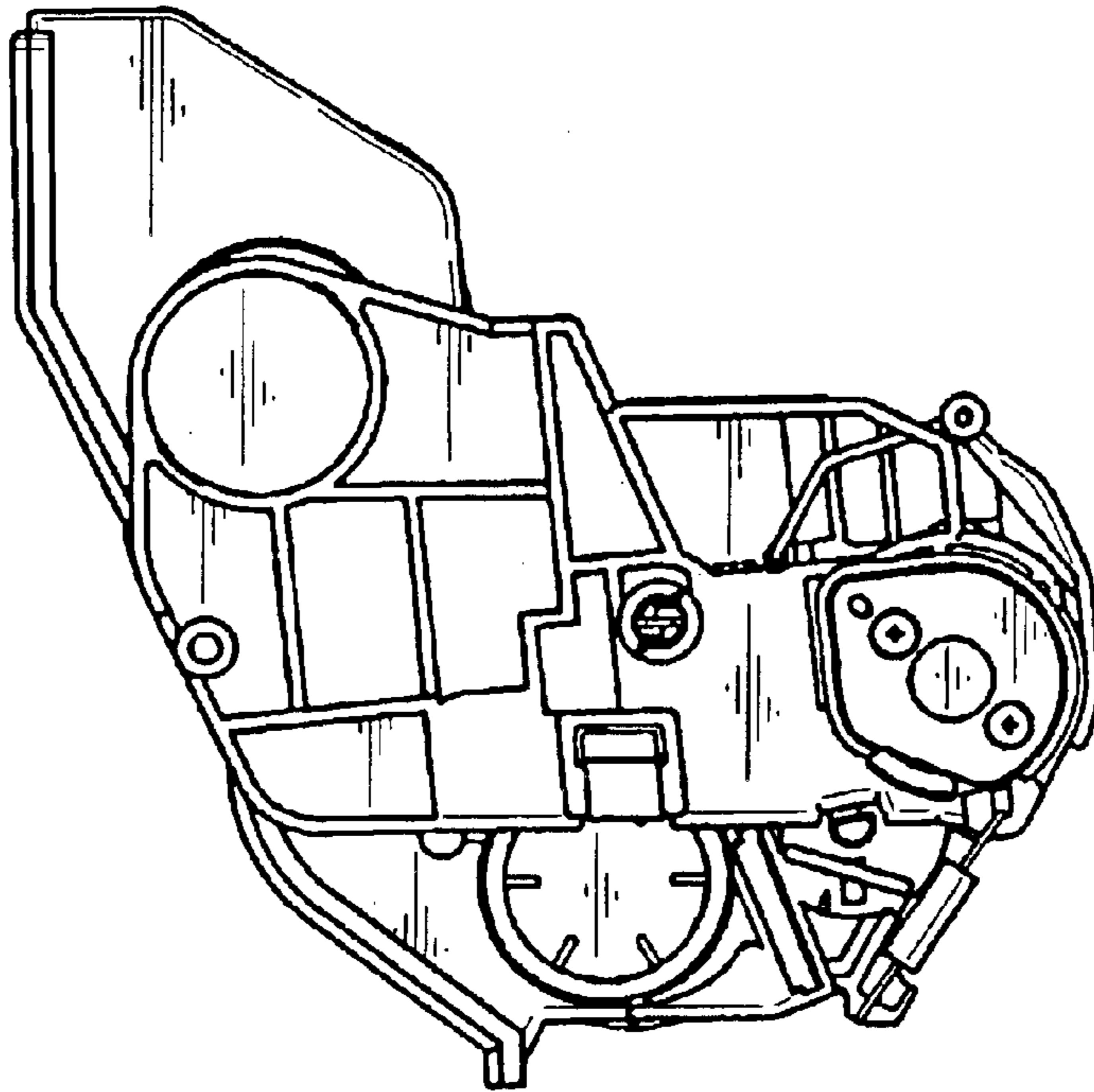


FIG. 7

