

US00D501020S

(12) **United States Design Patent**  
**Otani et al.**

(10) **Patent No.:** **US D501,020 S**  
(45) **Date of Patent:** **\*\* Jan. 18, 2005**

(54) **IMAGE DRUM CARTRIDGE**

D462,379 S \* 9/2002 Ito et al. .... D18/40

(75) Inventors: **Shinichi Otani**, Tokyo (JP); **Tetsu Koyama**, Tokyo (JP)

\* cited by examiner

(73) Assignee: **Oki Data Corporation**, Tokyo (JP)

*Primary Examiner*—Caron D. Veynar

(74) *Attorney, Agent, or Firm*—Ladas & Parry

(\*\*) Term: **14 Years**

(57) **CLAIM**

(21) Appl. No.: **29/178,697**

We claim the ornamental design for image drum cartridge, as shown.

(22) Filed: **Mar. 28, 2003**

(30) **Foreign Application Priority Data**

**DESCRIPTION**

Oct. 8, 2002 (JP) ..... 2002-027536

FIG. 1 is a top/front/left-side perspective view of an image drum cartridge showing our new design;

(51) **LOC (7) Cl.** ..... **16-03**

FIG. 2 is a front elevational view thereof;

(52) **U.S. Cl.** ..... **D18/40**

FIG. 3 is a rear elevational view thereof;

(58) **Field of Search** ..... D18/40, 43, 56,  
D18/12; 347/49, 86, 87, 101, 214; 399/110,  
111, 114, 119, 120, 259, 262, 106

FIG. 4 is a top plan view thereof;

FIG. 5 is a bottom plan view thereof;

FIG. 6 is a left-side elevational view thereof; and,

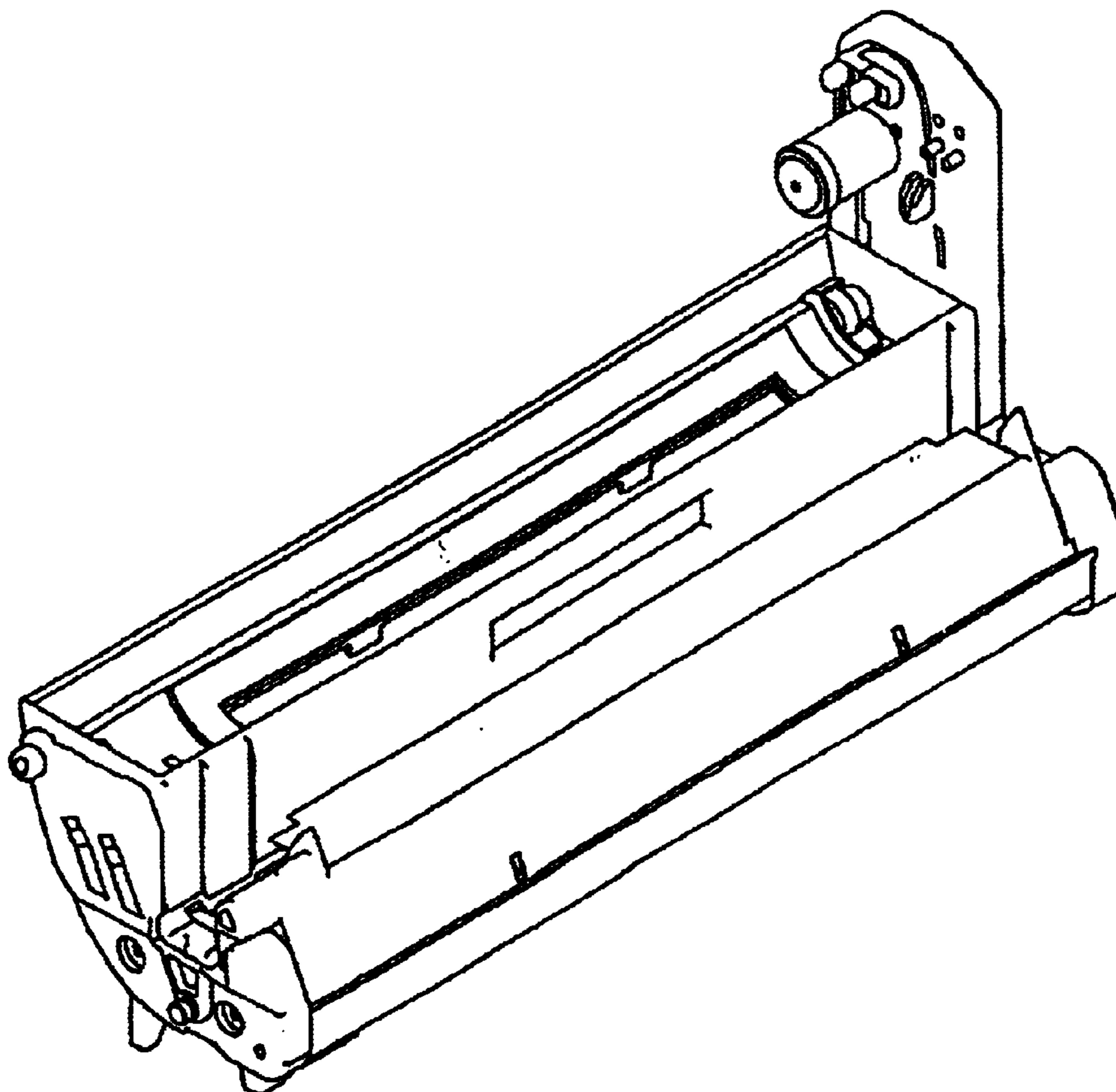
FIG. 7 is a right-side elevational view thereof.

(56) **References Cited**

**U.S. PATENT DOCUMENTS**

D450,344 S \* 11/2001 Ito et al. .... D18/40

**1 Claim, 3 Drawing Sheets**



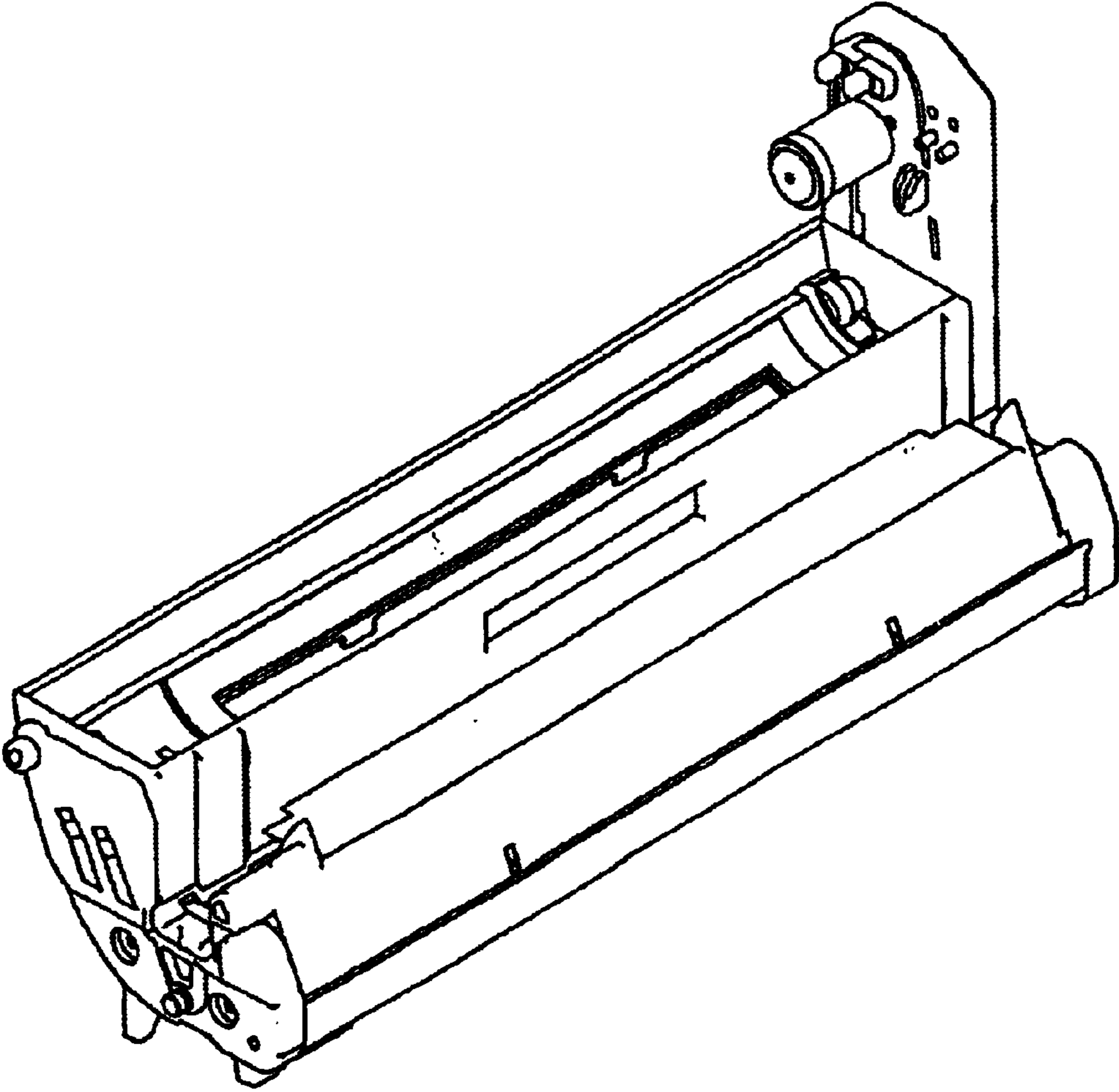


FIG. 1

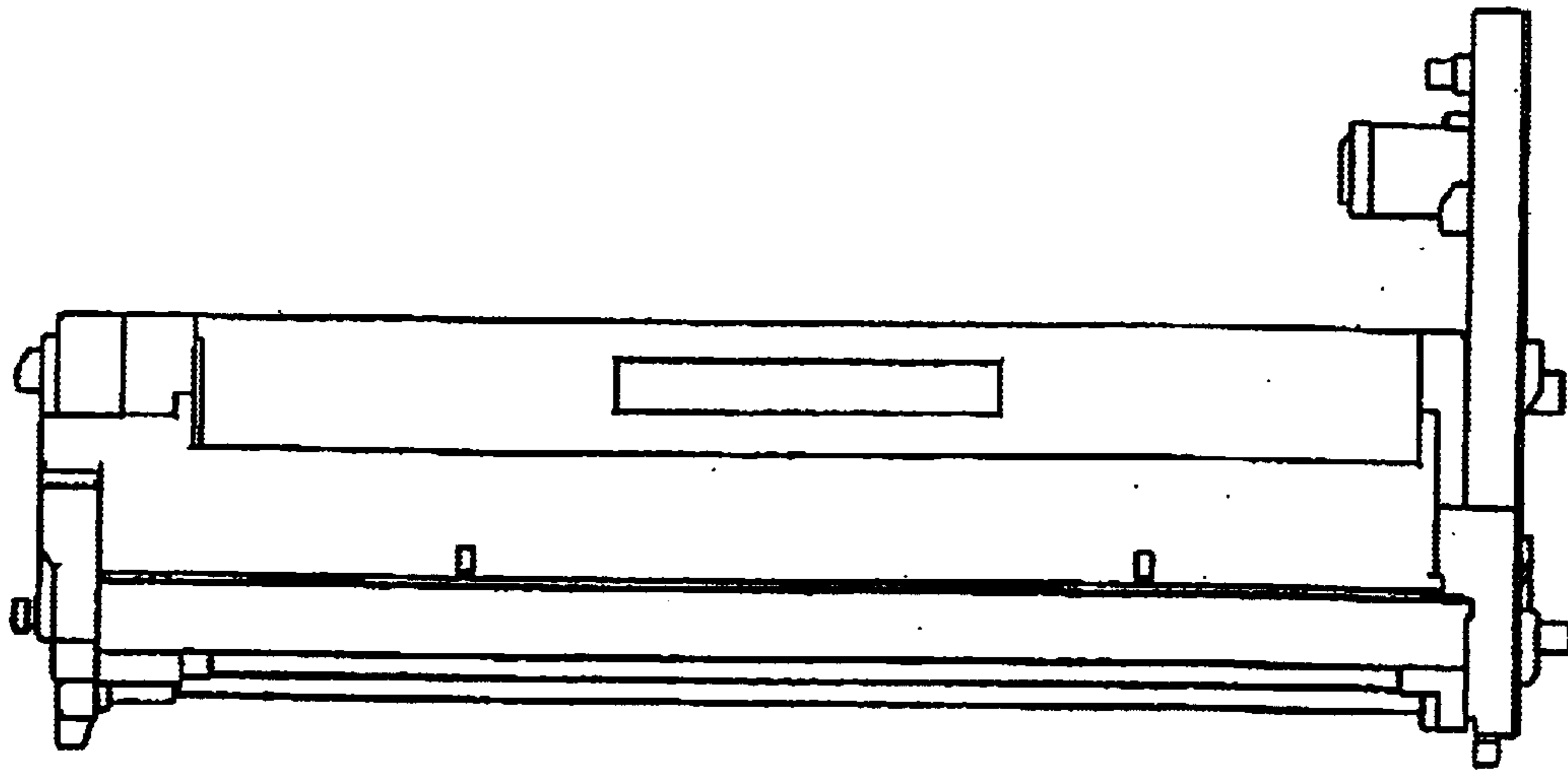


FIG. 2

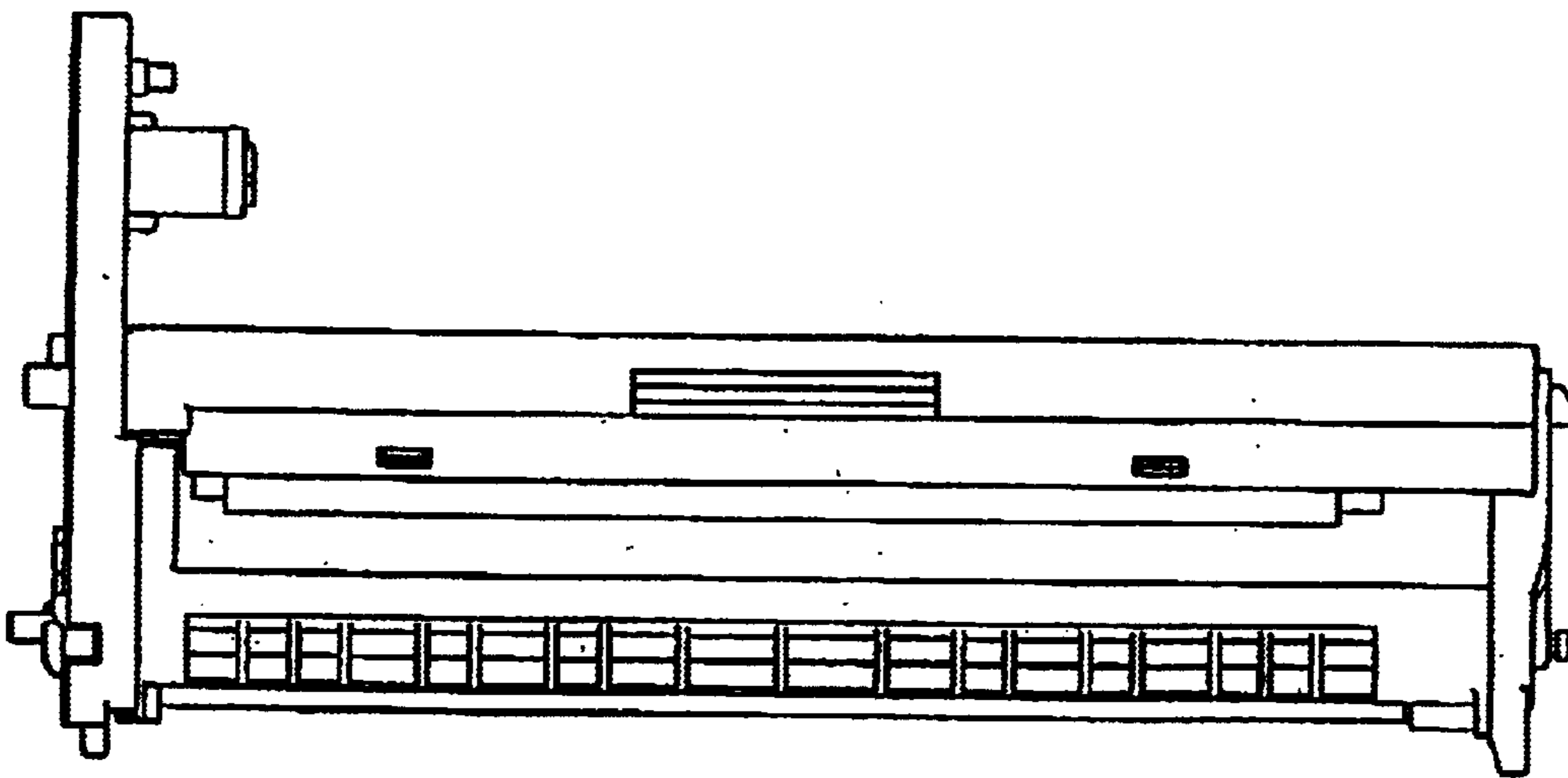
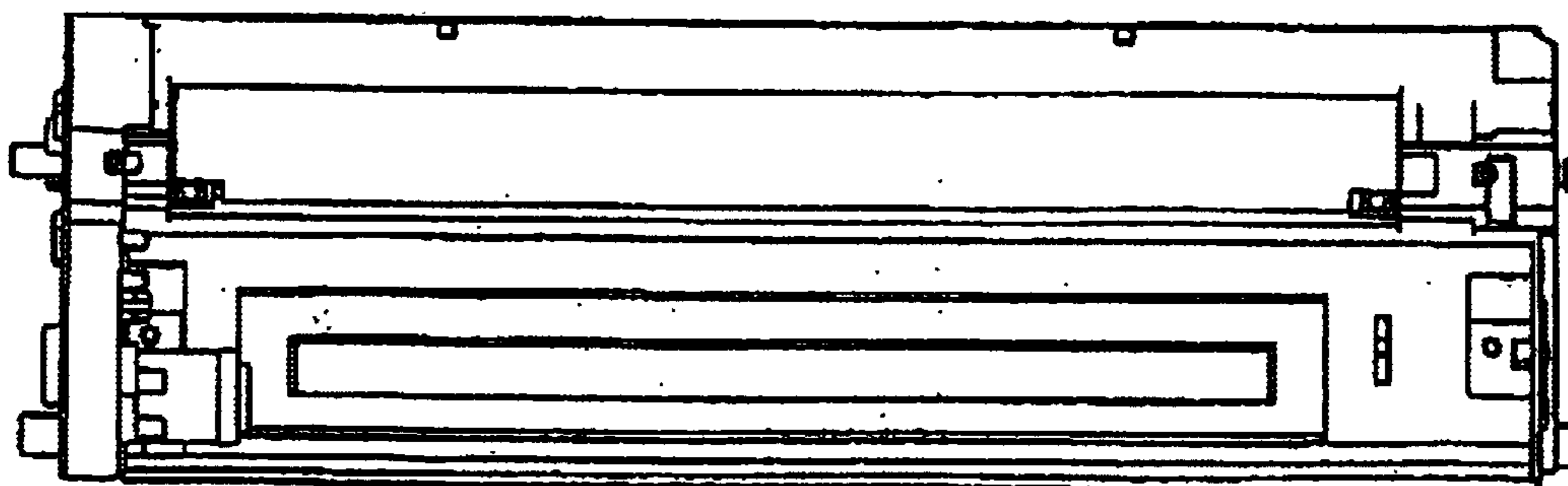


FIG. 3

FIG. 4



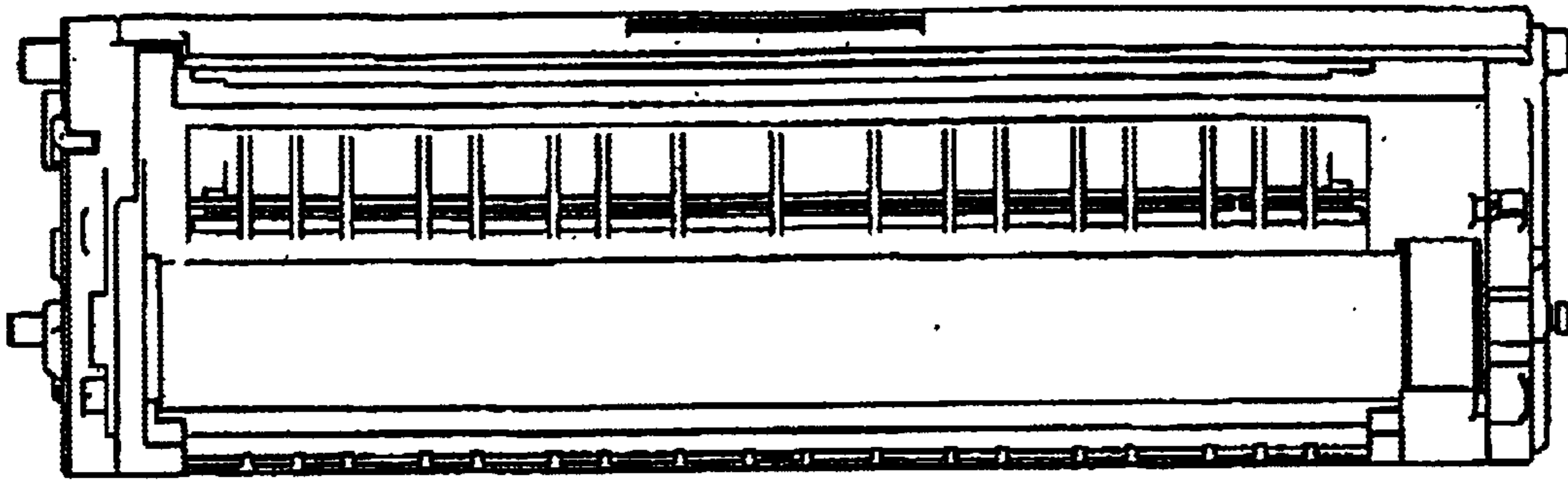


FIG. 5

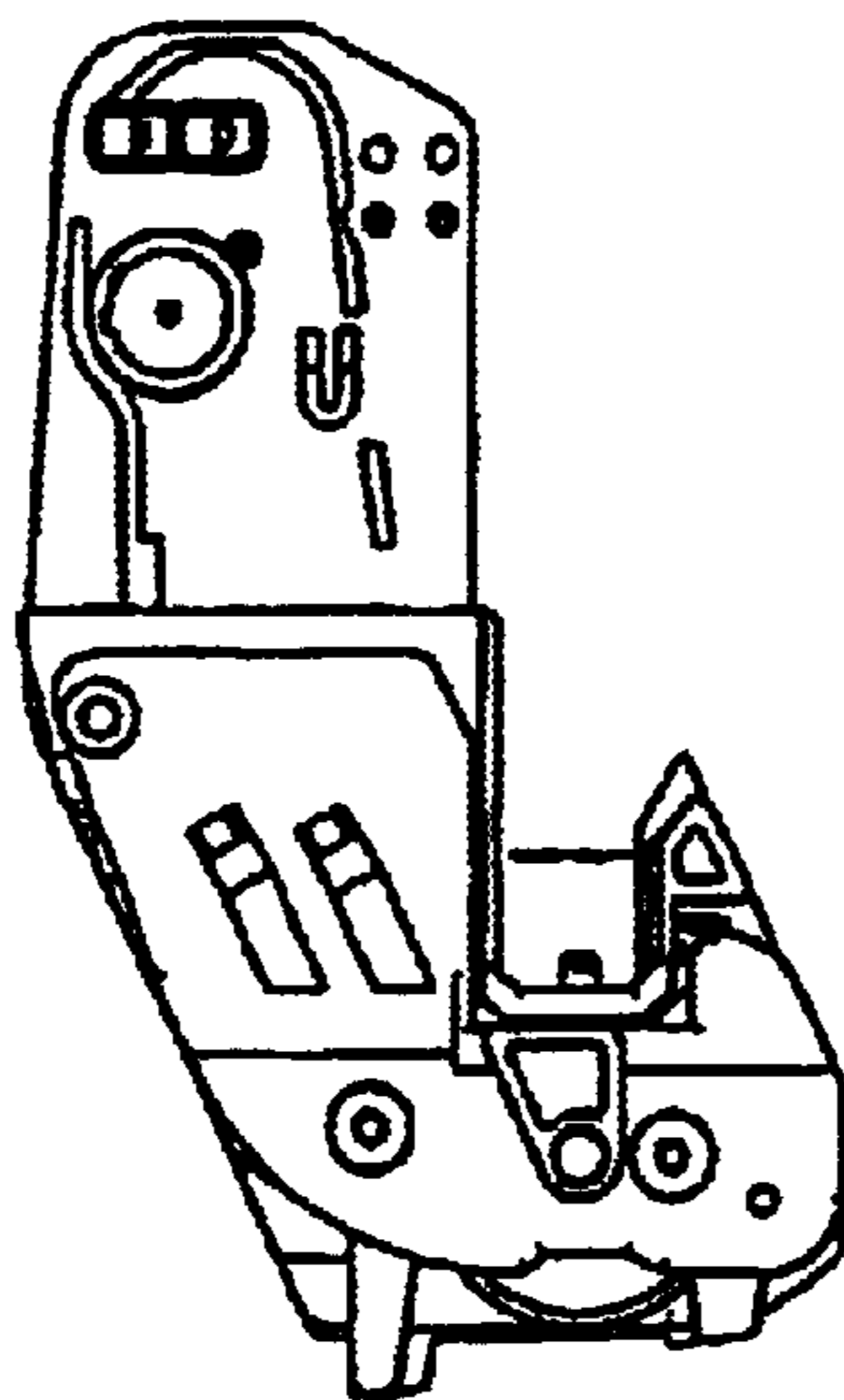


FIG. 6

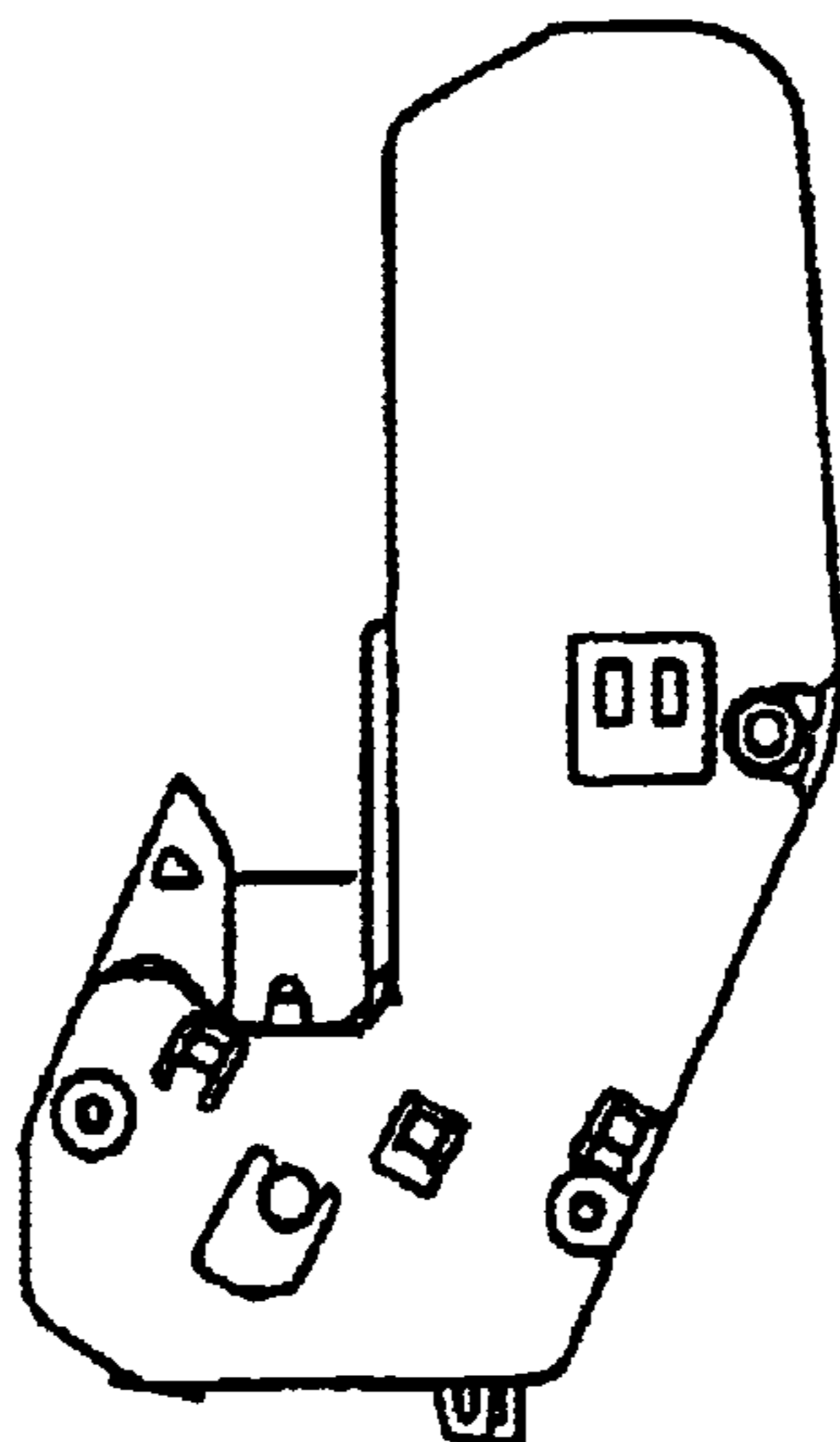


FIG. 7