



US00D501016S

(12) **United States Design Patent**
Hamilton et al.

(10) **Patent No.:** **US D501,016 S**
(45) **Date of Patent:** **** Jan. 18, 2005**

(54) **COMBINATION CAMERA AND STAND**

(76) Inventors: **Andrew Hamilton**, 2 Flat D Deanery Road, Stratford, London (GB), E15 4LP; **Oliver Wright**, 10 Da Vinci Close, St. Ives, Huntingdon, Cambridgeshire, Cambridge (GB), PE27 3EN; **Michael Haigh**, 136 Maidstone Road, London (GB), N11 2JP

(**) Term: **14 Years**

(21) Appl. No.: **29/191,500**

(22) Filed: **Oct. 8, 2003**

(30) **Foreign Application Priority Data**

Apr. 8, 2003 (GB) 3012081

(51) **LOC (7) Cl.** **16-01**

(52) **U.S. Cl.** **D16/208; D16/202; D16/203**

(58) **Field of Search** **D16/200-205, D16/208, 218; 248/177.1, 187.1; 348/14.01-14.1, 143, 373, 374-376; 396/419, 427, 428, 535, 536-541**

(56) **References Cited**

U.S. PATENT DOCUMENTS

D355,205 S * 2/1995 Yokoi D16/202

D380,000 S * 6/1997 Nakada et al. D16/202
D386,195 S * 11/1997 Oates D16/202
D390,858 S * 2/1998 Wen D16/202
D416,930 S * 11/1999 Choi D16/203
6,437,826 B1 * 8/2002 Arnold 348/373

* cited by examiner

Primary Examiner—Adir Aronovich
(74) *Attorney, Agent, or Firm*—Salter & Michaelson

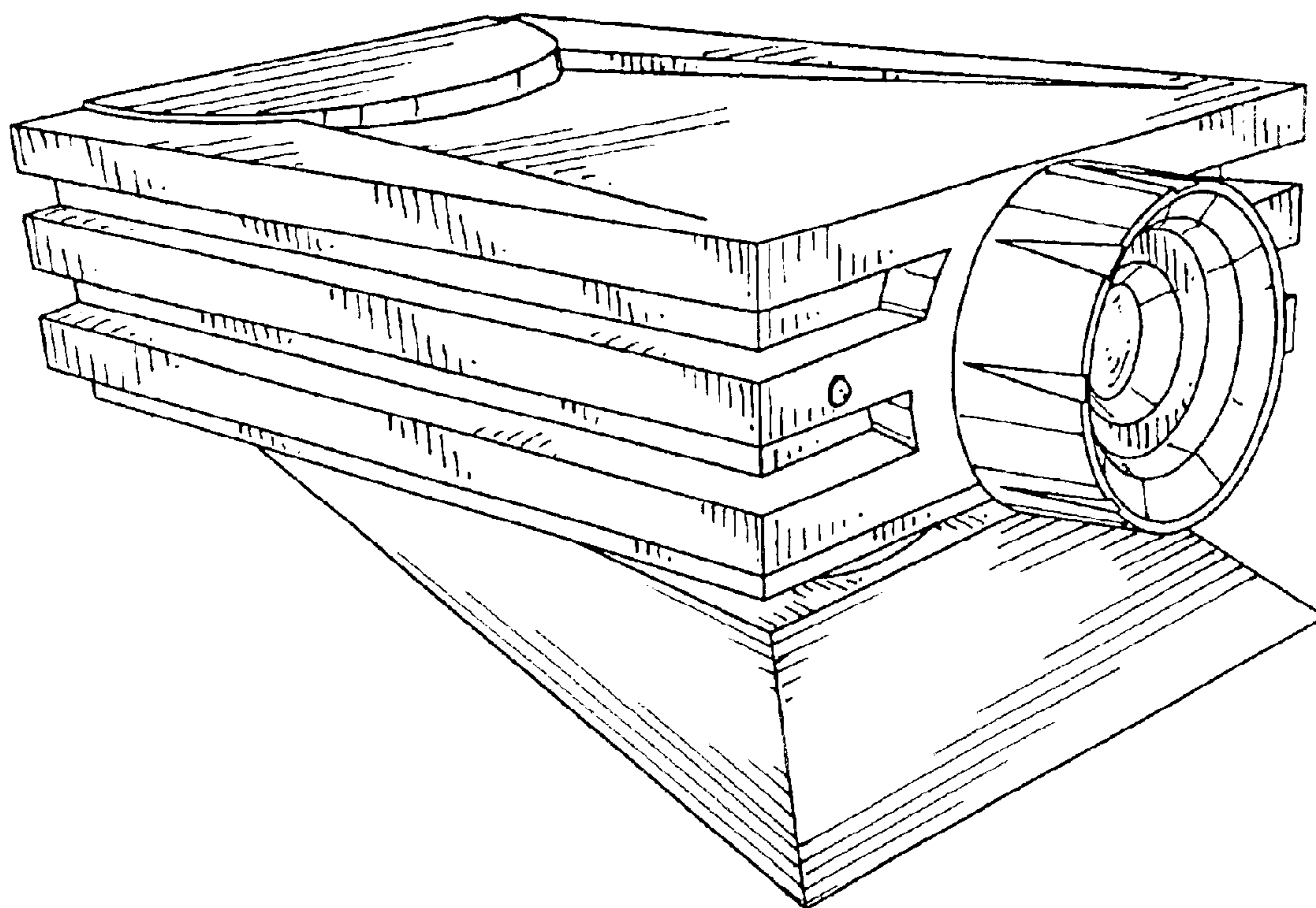
(57) **CLAIM**

The ornamental design for a combination camera and stand, as shown and described.

DESCRIPTION

FIG. 1 is a front end elevational view of a combination camera and stand showing our new design;
FIG. 2 is a top plan view thereof;
FIG. 3 is a perspective view thereof;
FIG. 4 is a side elevational view thereof;
FIG. 5 is a rear end elevational view thereof;
FIG. 6 is an elevational view of the opposite side thereof; and,
FIG. 7 is a bottom plan view thereof.

1 Claim, 3 Drawing Sheets



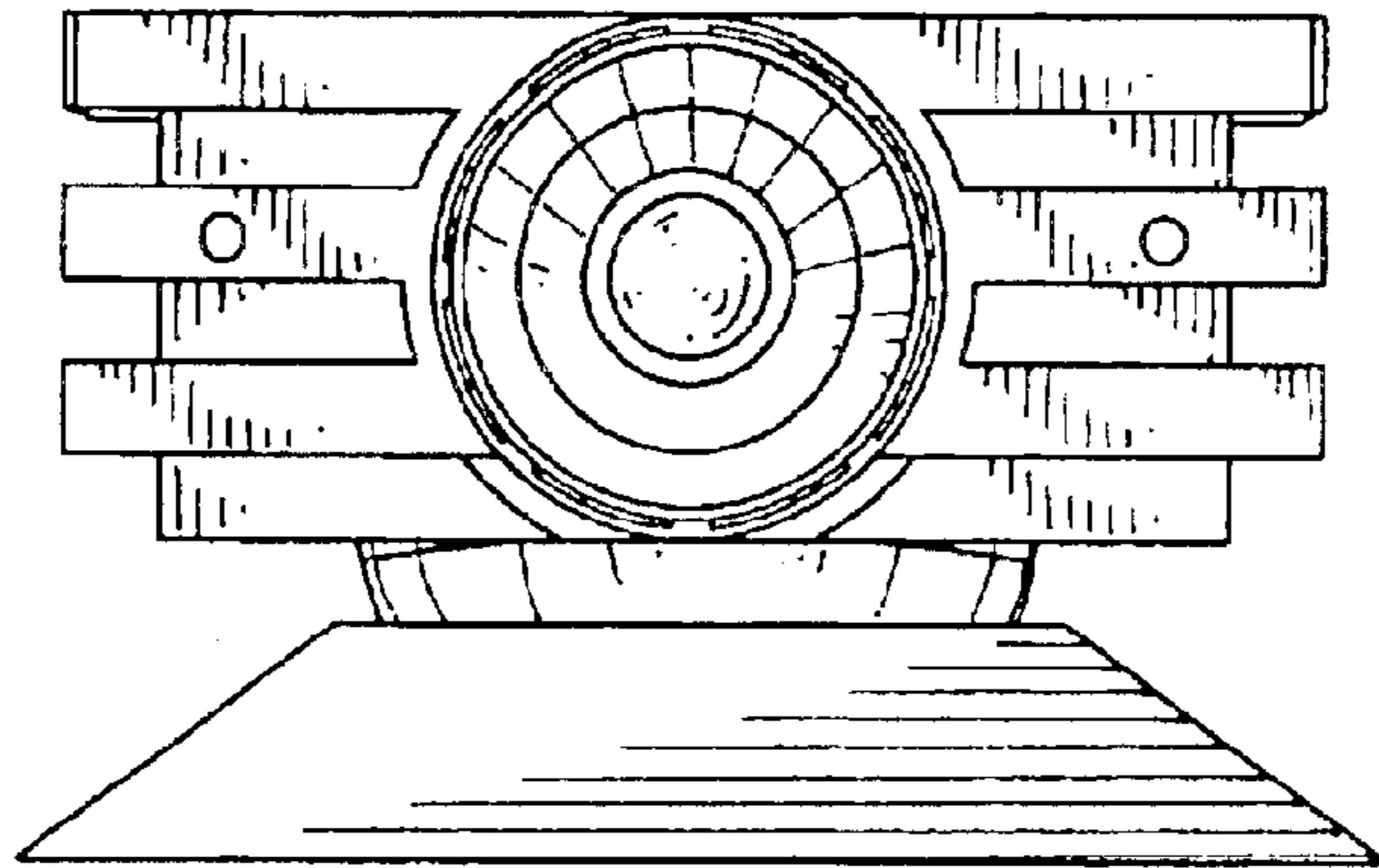


FIG. 1

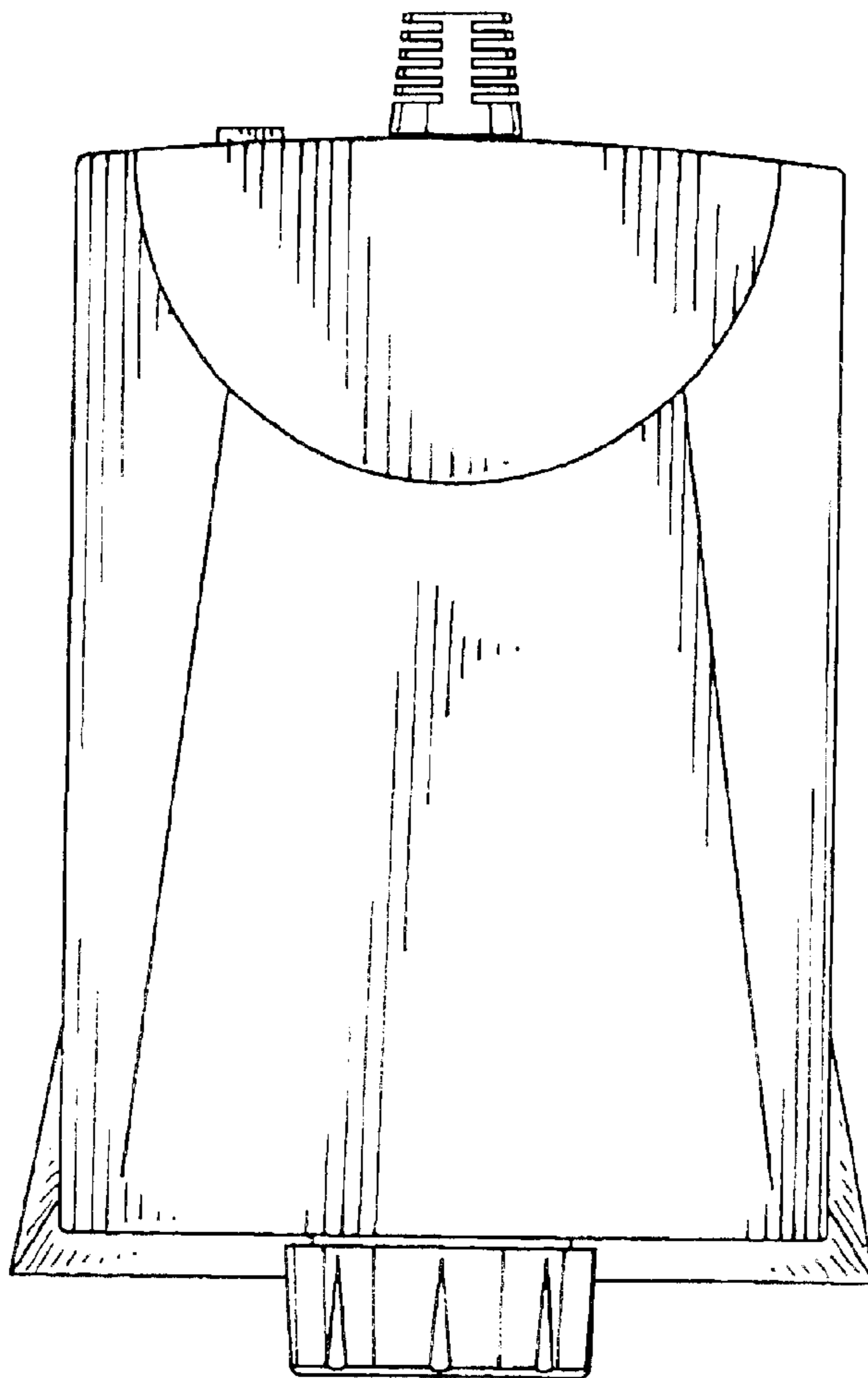


FIG. 2

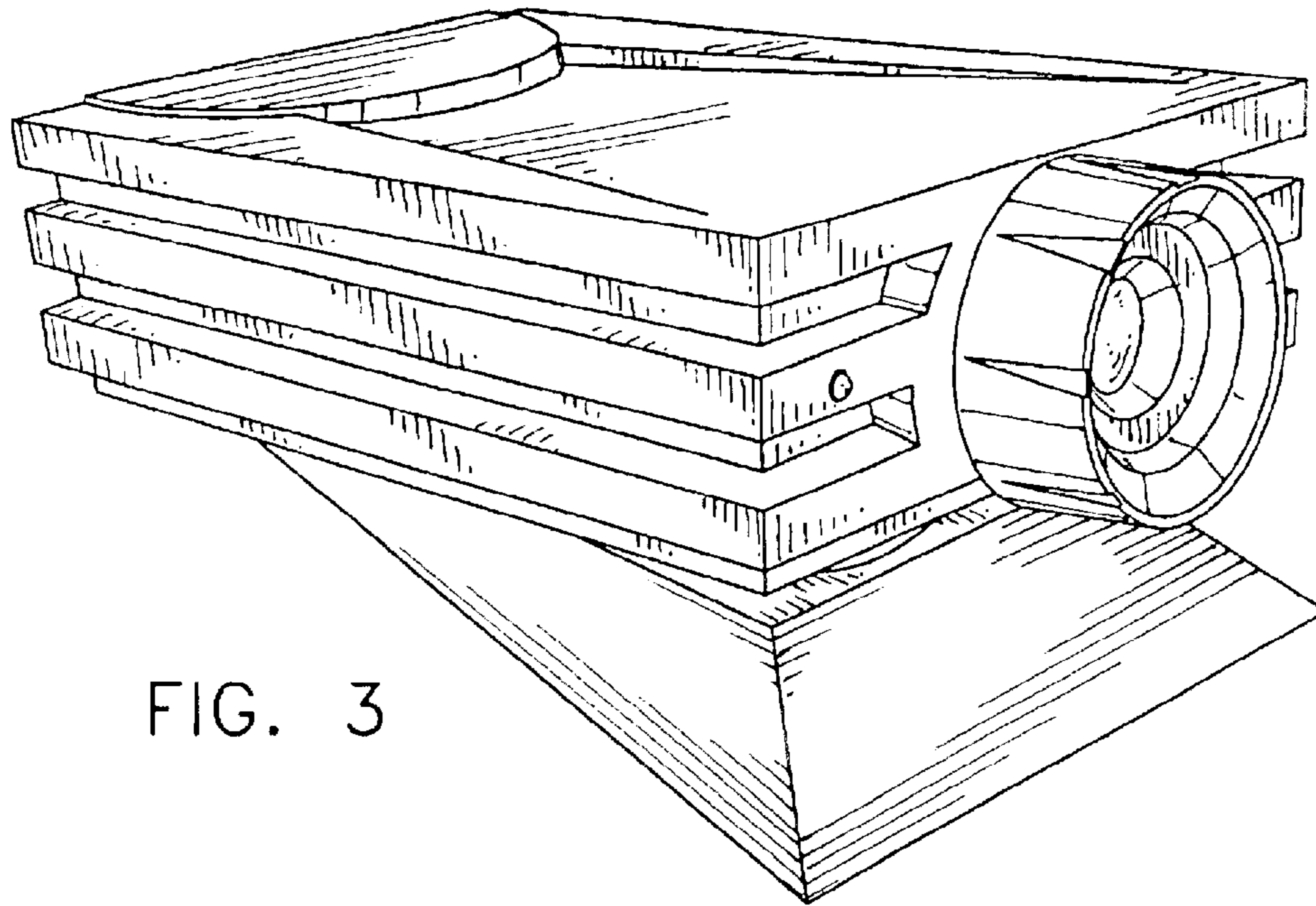


FIG. 3

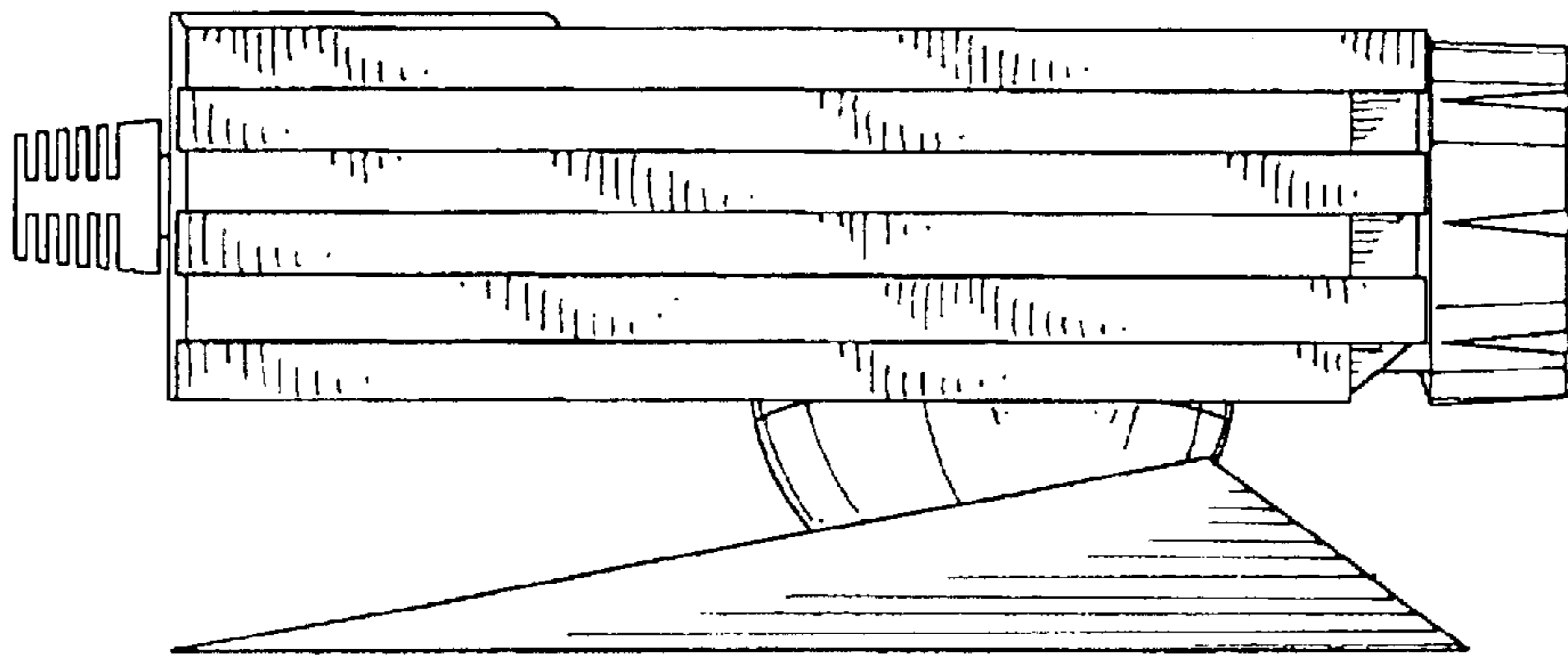


FIG. 4

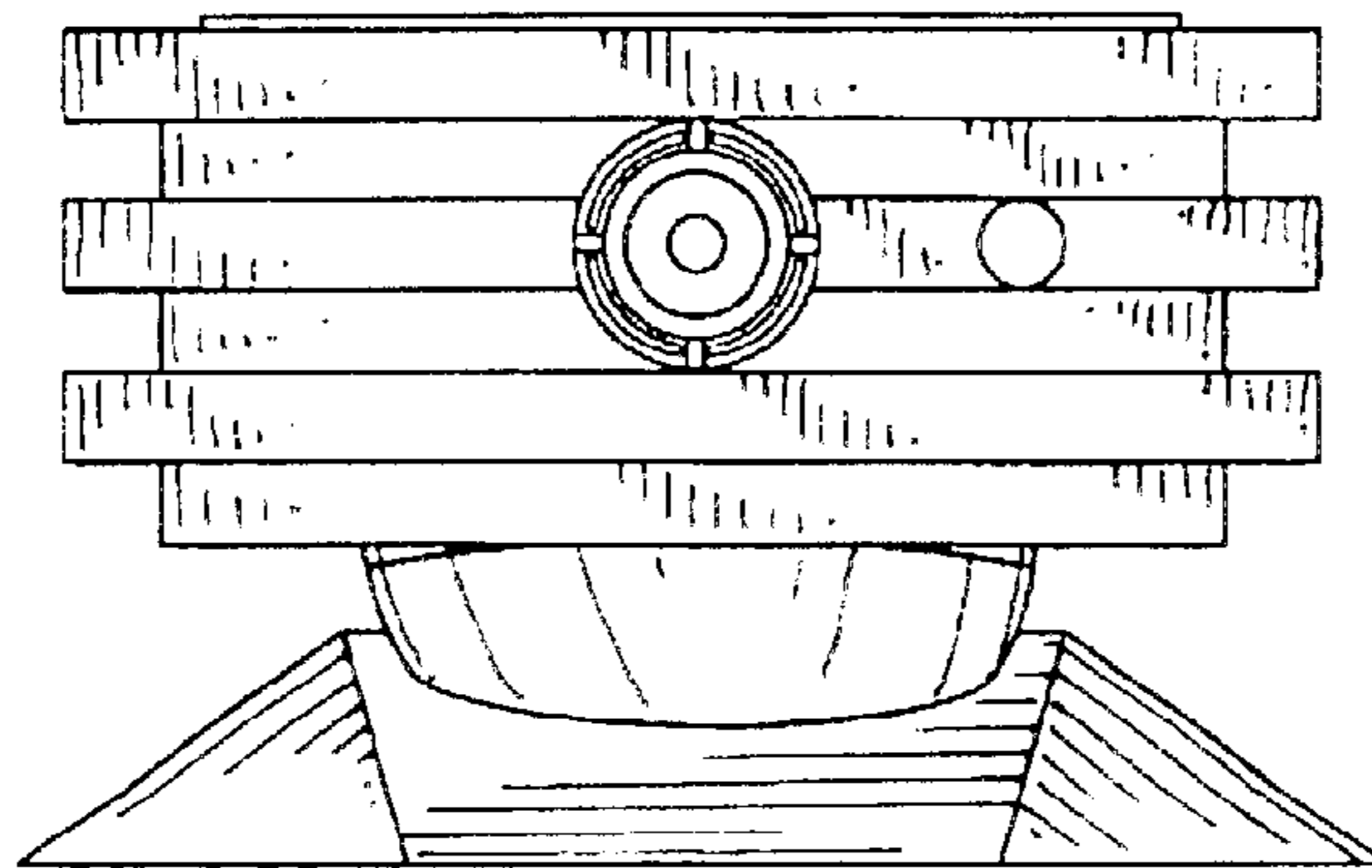


FIG. 5

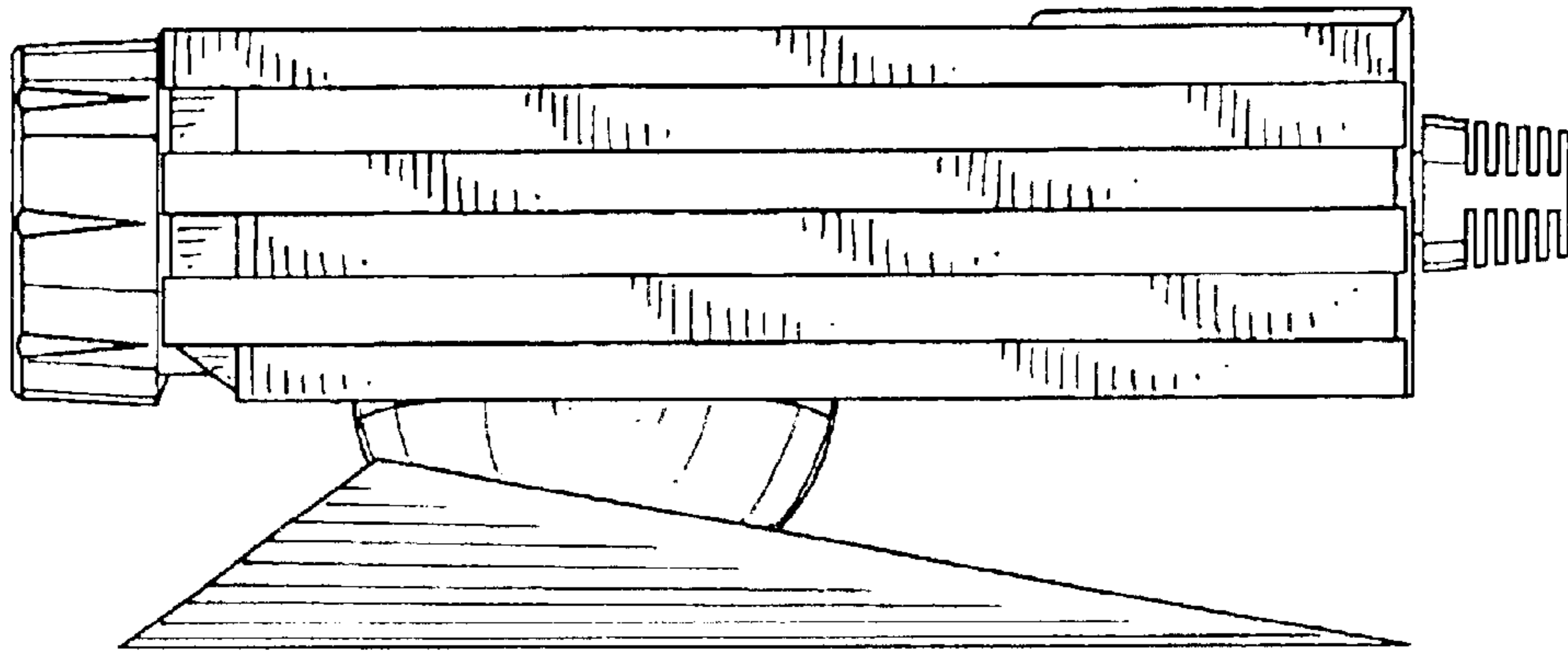


FIG. 6

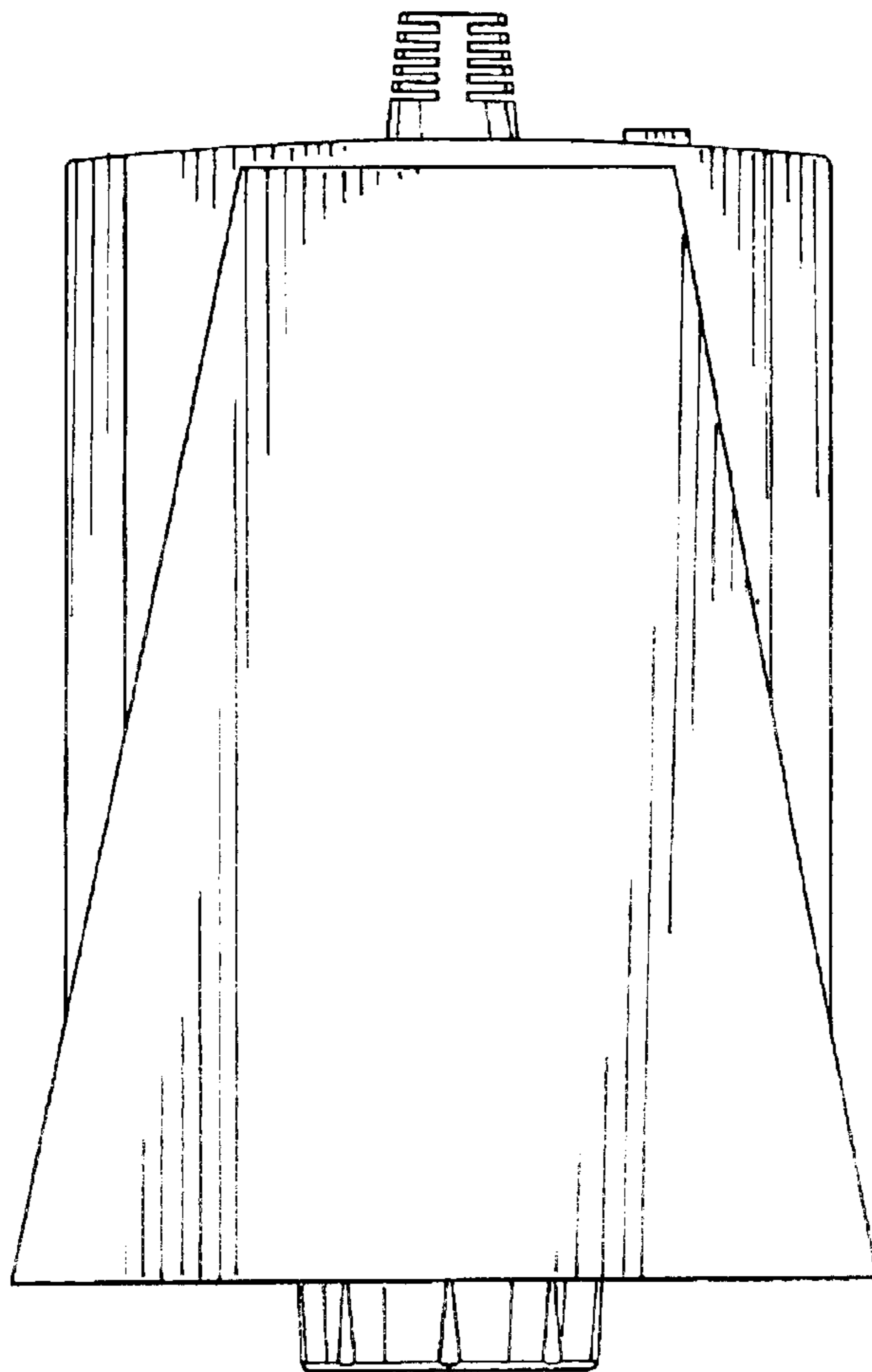


FIG. 7