

US00D501015S

(12) **United States Design Patent**
Hamilton et al.

(10) **Patent No.:** **US D501,015 S**
(45) **Date of Patent:** **** Jan. 18, 2005**

(54) **CAMERA**

(76) Inventors: **Andrew Hamilton**, 2 Flat D Deanery Road, Stratford, London (GB), E15 4LP; **Oliver Wright**, 10 Da Vinci Close, St. Ives, Huntingdon, Cambridgeshire (GB), PE27 3EN; **Michael Haigh**, 136 Maidstone Road, London (GB), N11 2JP

(**) Term: **14 Years**

(21) Appl. No.: **29/191,499**

(22) Filed: **Oct. 8, 2003**

(51) **LOC (7) Cl.** **16-01**

(52) **U.S. Cl.** **D16/203; D16/202**

(58) **Field of Search** D16/200–205,
D16/208, 218; 248/177.1, 187.1; 348/14.01–14.1,
143, 373, 374–376; 396/419, 427, 428,
535, 536–541

(56) **References Cited**

U.S. PATENT DOCUMENTS

D269,513 S * 6/1983 Nagele D16/202

D311,924 S * 11/1990 Loyd et al. D16/202
D339,149 S * 9/1993 Nakamura et al. D16/202
D355,205 S * 2/1995 Yokoi D16/202
D416,930 S * 11/1999 Choi D16/203
6,683,654 B1 * 1/2004 Haijima 348/374

* cited by examiner

Primary Examiner—Adir Aronovich
(74) *Attorney, Agent, or Firm*—Salter & Michaelson

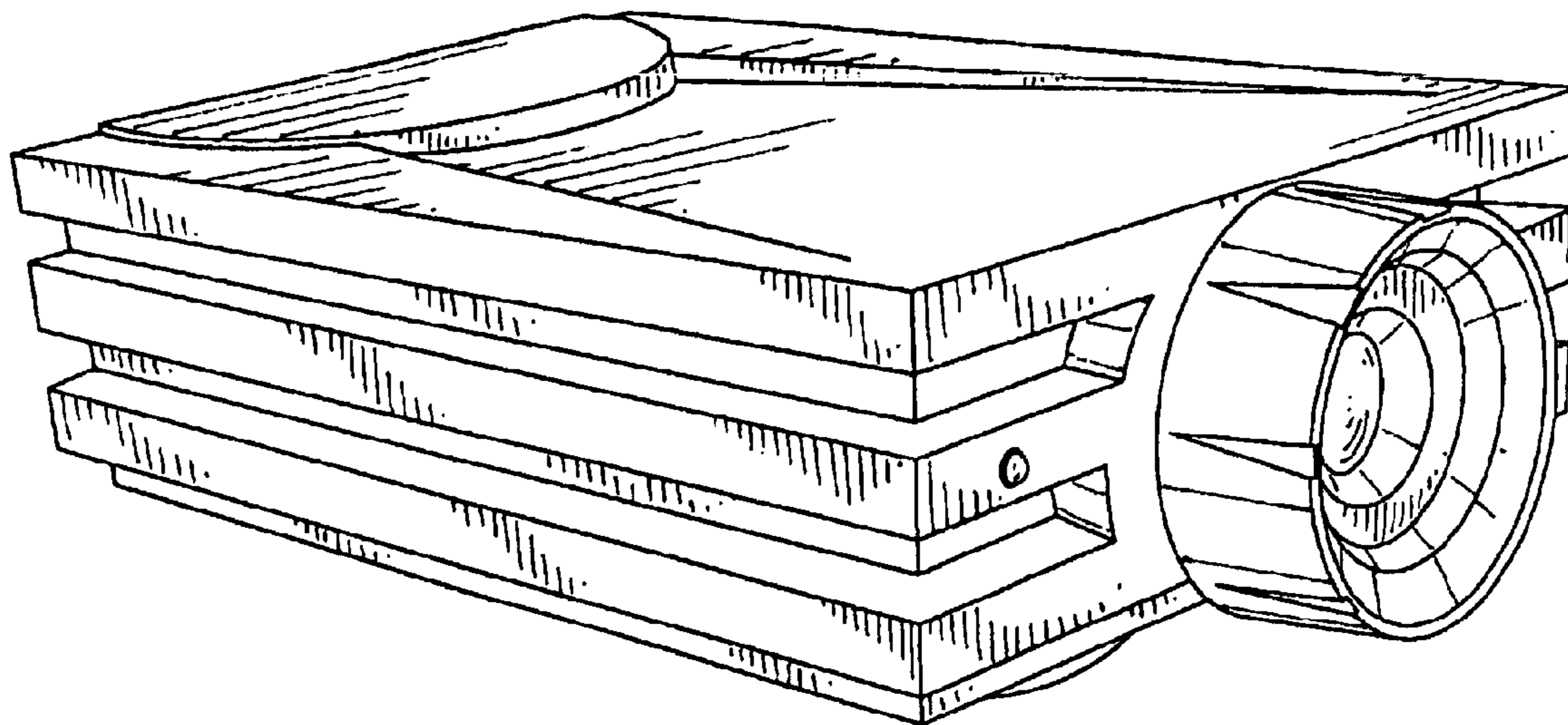
(57) **CLAIM**

The ornamental design for a camera, as shown and described.

DESCRIPTION

FIG. 1 is a front end elevational view of a camera showing our new design;
FIG. 2 is a top plan view thereof;
FIG. 3 is a perspective view thereof;
FIG. 4 is a side elevational view thereof;
FIG. 5 is a rear end elevational view thereof;
FIG. 6 is an elevational view of the opposite side thereof; and,
FIG. 7 is a bottom plan view thereof.

1 Claim, 3 Drawing Sheets



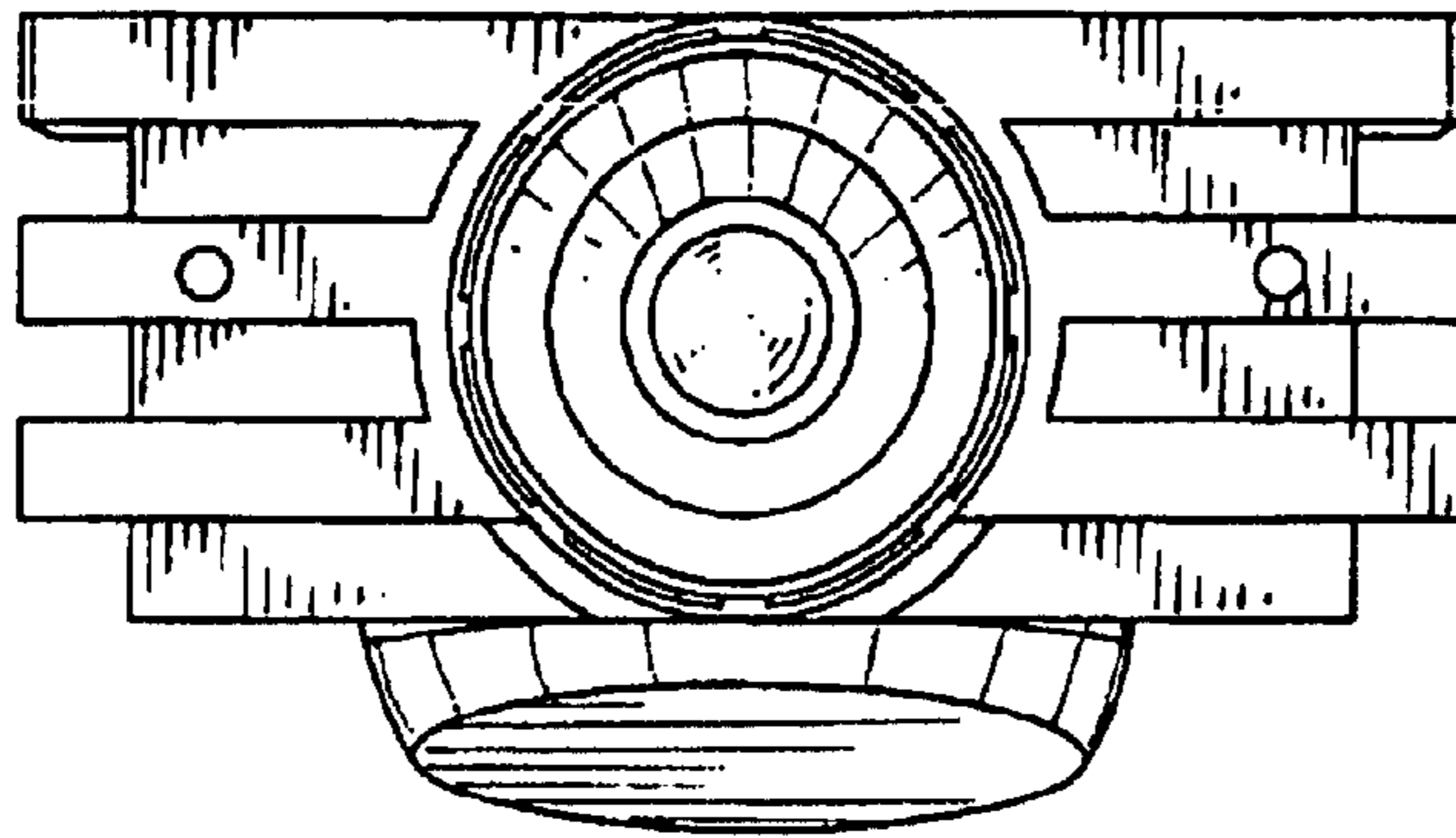


FIG. 1

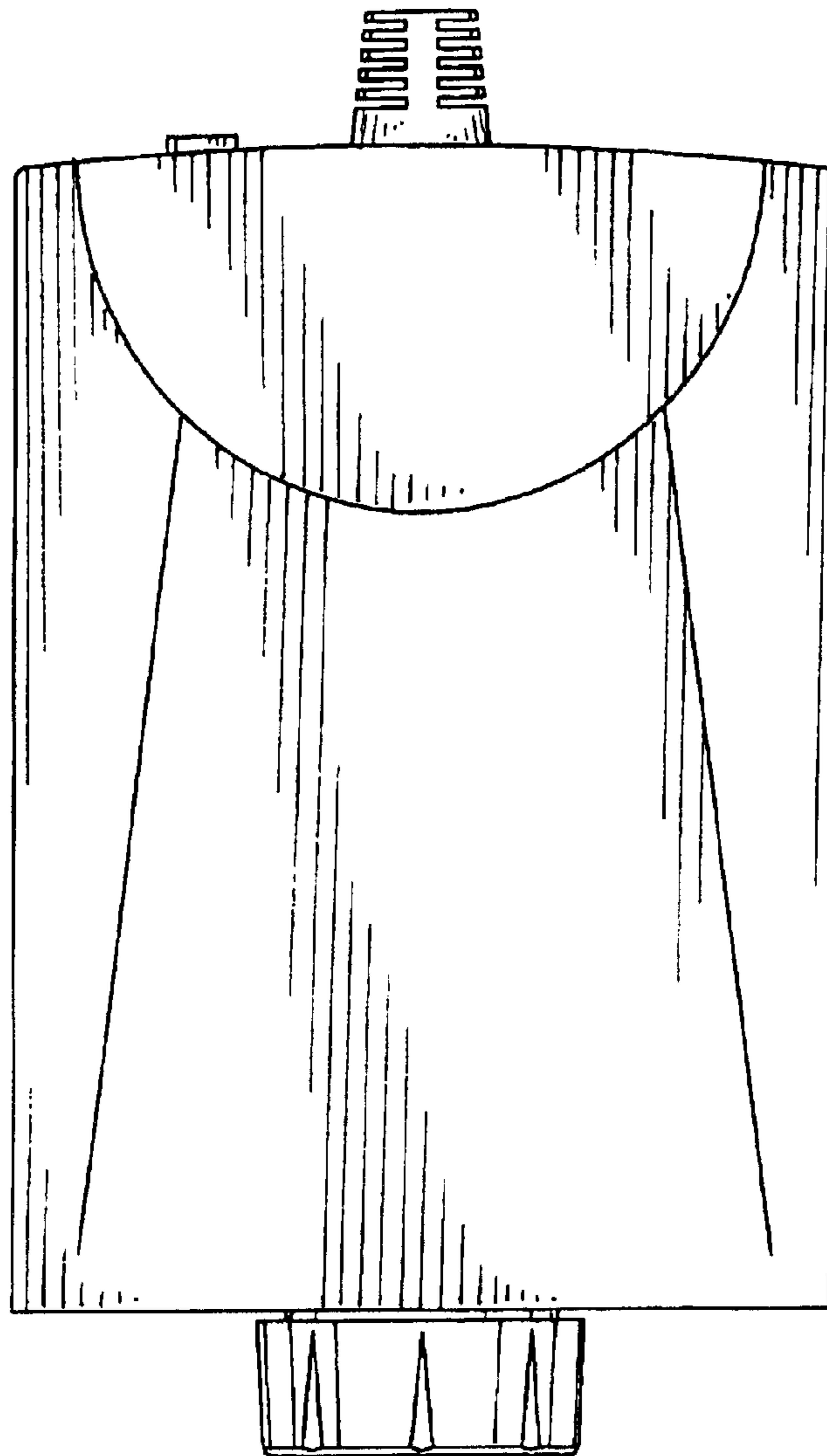


FIG. 2

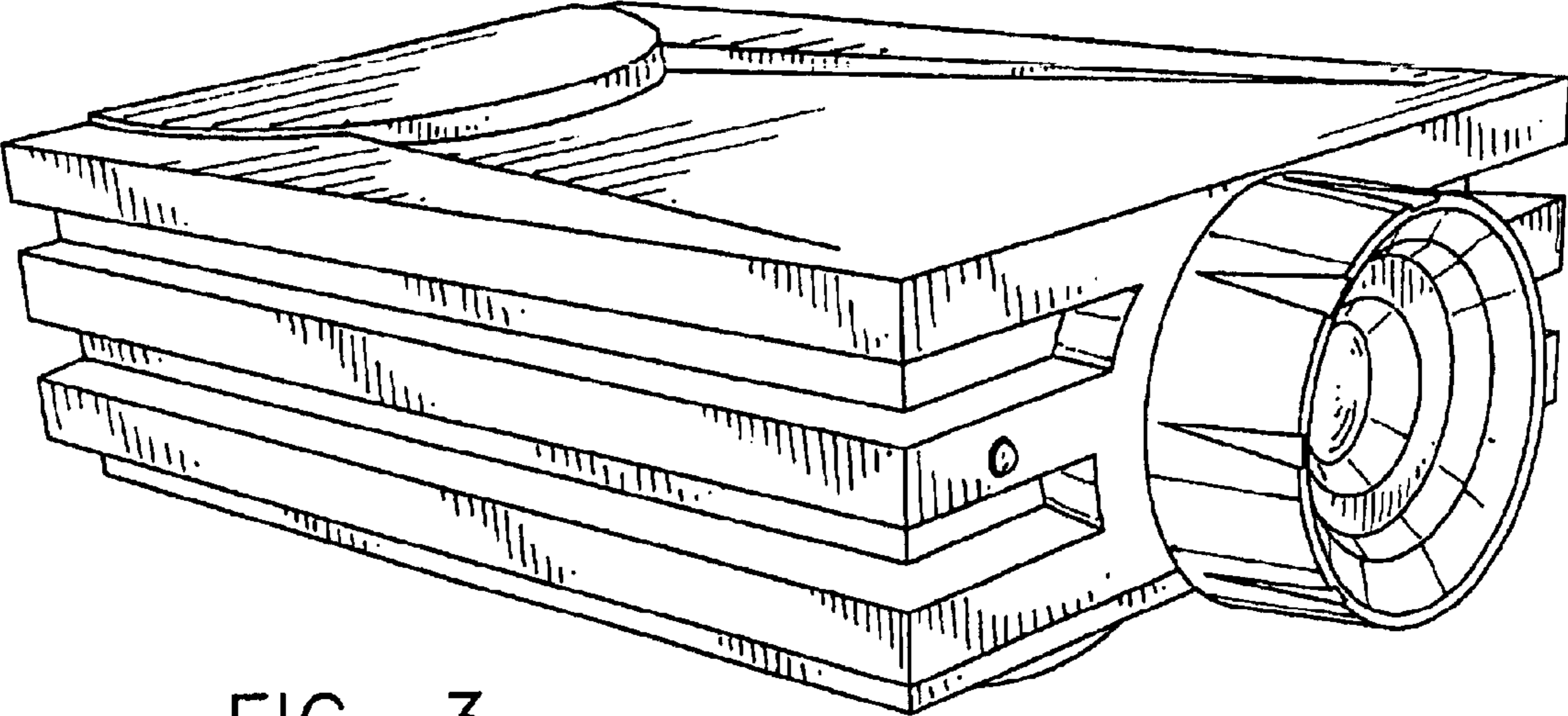


FIG. 3

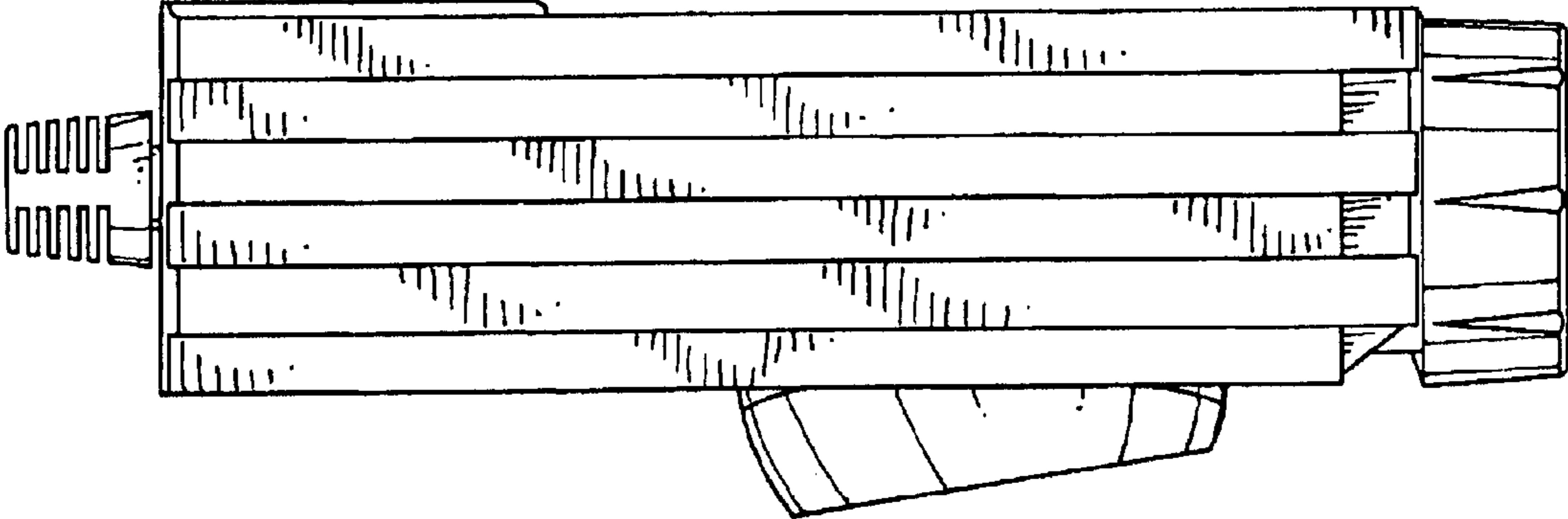


FIG. 4

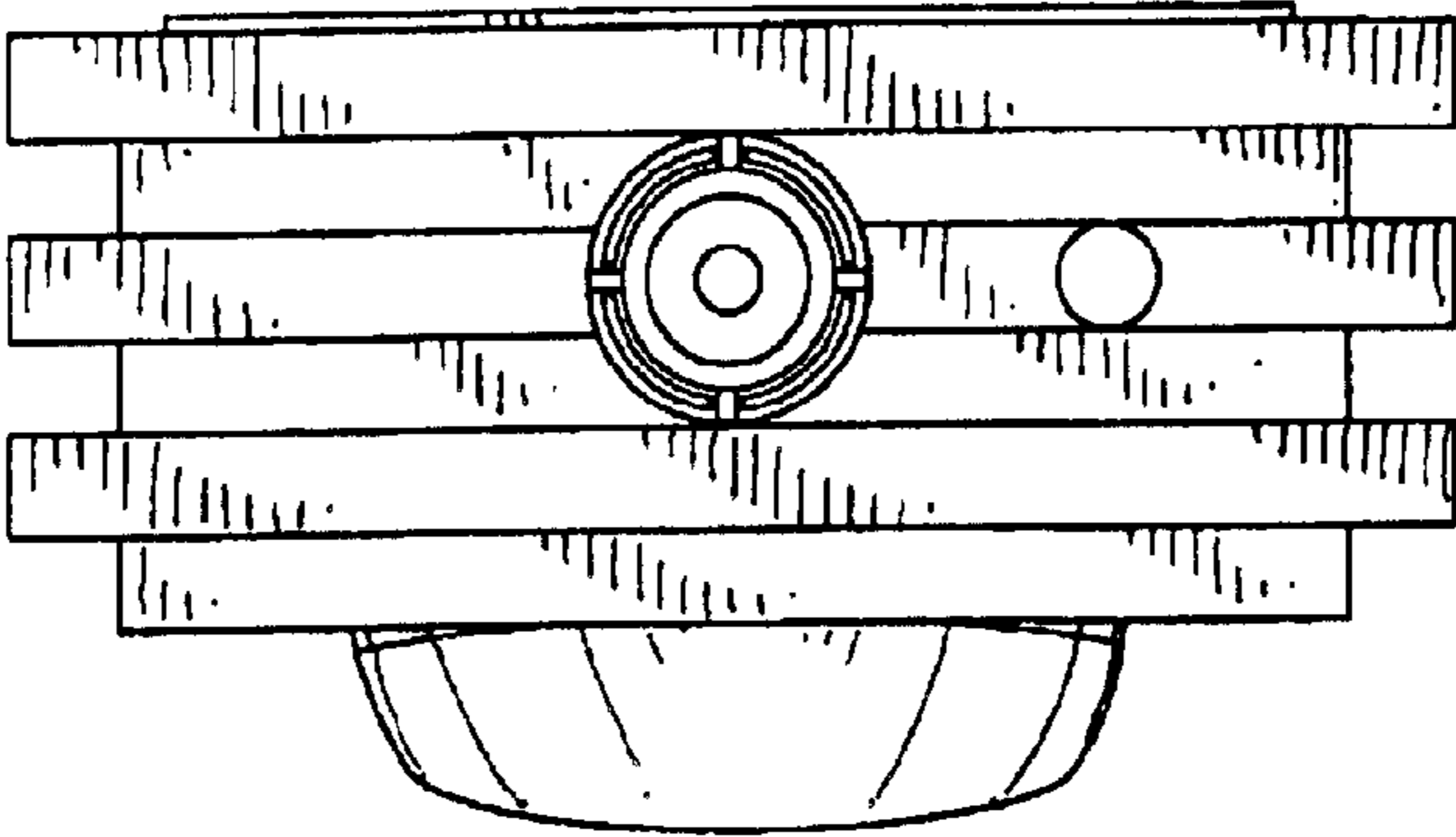


FIG. 5

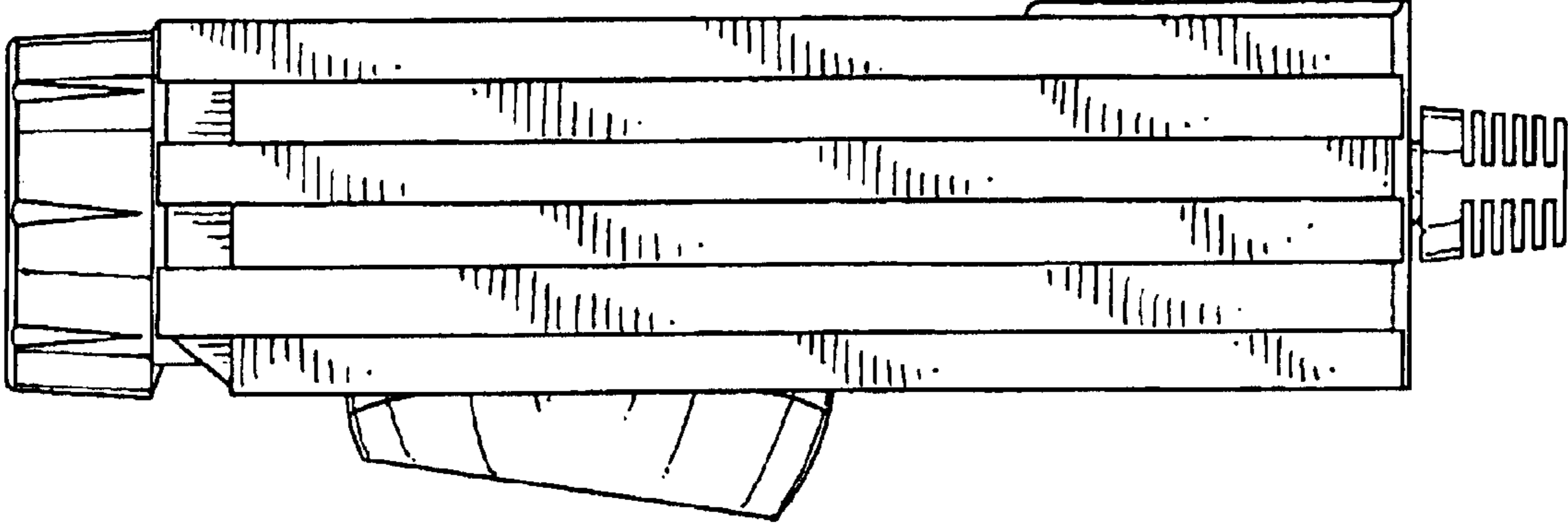


FIG. 6

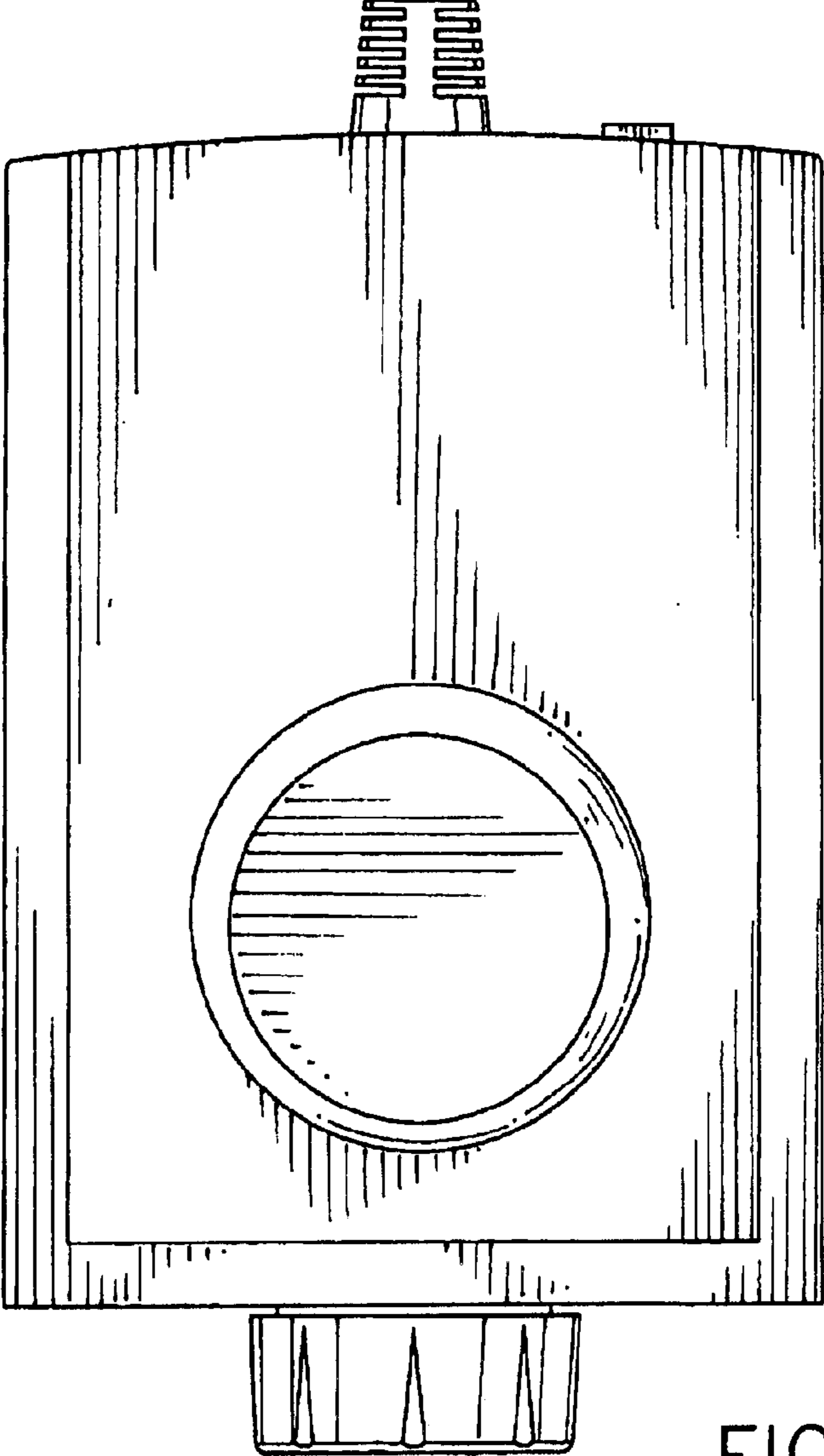


FIG. 7