

US00D501014S

(12) **United States Design Patent**
Hayashi

(10) **Patent No.:** **US D501,014 S**
(45) **Date of Patent:** **** Jan. 18, 2005**

(54) **DIGITAL CAMERA**

(75) **Inventor:** **Yoshihiro Hayashi, Hachioji (JP)**

(73) **Assignee:** **Olympus Corporation, Tokyo (JP)**

(**) **Term:** **14 Years**

(21) **Appl. No.:** **29/186,037**

(22) **Filed:** **Jul. 7, 2003**

(30) **Foreign Application Priority Data**

May 28, 2003 (JP) 2003-014910
May 28, 2003 (JP) 2003-014913
May 28, 2003 (JP) 2003-014930

(51) **LOC (7) Cl.** **16-01**

(52) **U.S. Cl.** **D16/202; D16/218**

(58) **Field of Search** **D16/200–205,**
D16/208, 218; 348/373–376; 358/906, 909.1;
396/535–541

(56) **References Cited**

U.S. PATENT DOCUMENTS

4,456,931 A * 6/1984 Toyoda et al. 358/906
D387,078 S * 12/1997 Akita D16/202

D430,185 S * 8/2000 Eto et al. D16/218
6,434,337 B1 * 8/2002 Misawa 358/909.1
D475,071 S * 5/2003 Nagaoka D16/209
D484,902 S * 1/2004 Baba D16/202

* cited by examiner

Primary Examiner—Adir Aronovich

(74) *Attorney, Agent, or Firm*—Hogan & Hartson LLP

(57) **CLAIM**

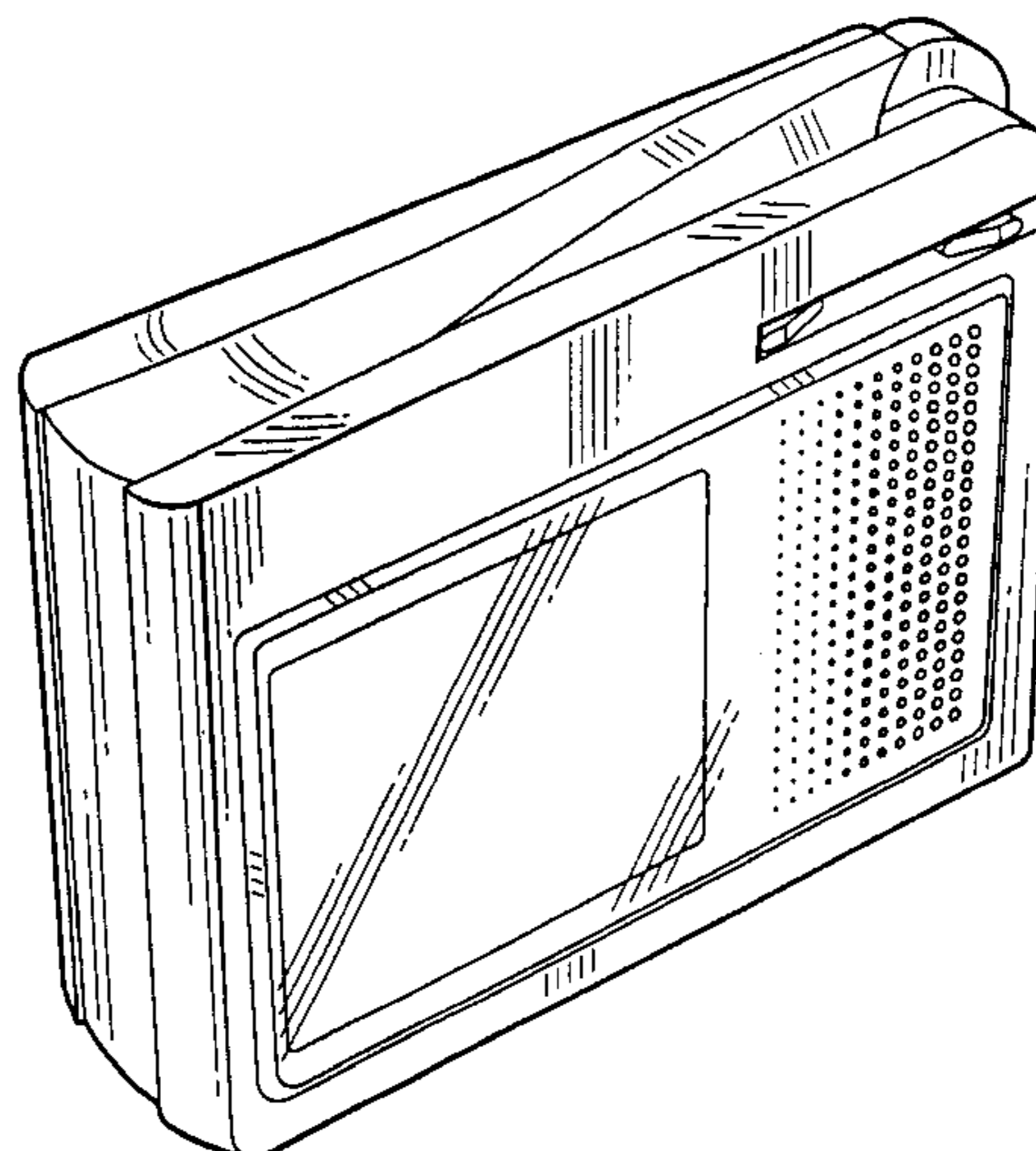
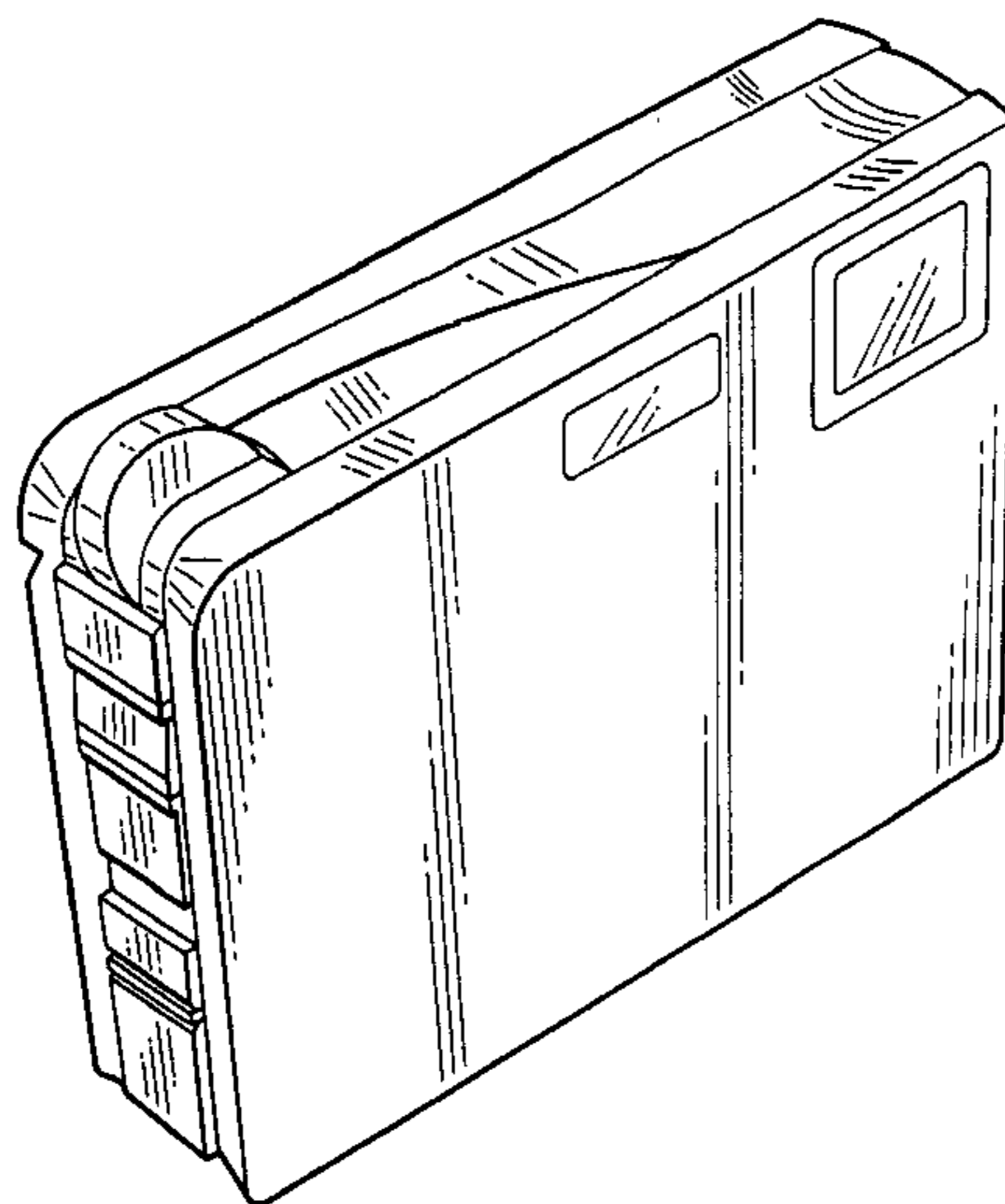
The ornamental design for a digital camera, as shown and described.

DESCRIPTION

FIG. 1 is a front, top and left side perspective view of a digital camera, showing my new design;
FIG. 2 is a rear, top and right side perspective view thereof;
FIG. 3 is a reduced top plan view thereof;
FIG. 4 is a left side elevational view thereof;
FIG. 5 is a front elevational view thereof;
FIG. 6 is a right side elevational view thereof;
FIG. 7 is a bottom plan view thereof; and,
FIG. 8 is a rear elevational view thereof.

The broken lines are for illustrative purposes only and form no part of the claimed design.

1 Claim, 2 Drawing Sheets



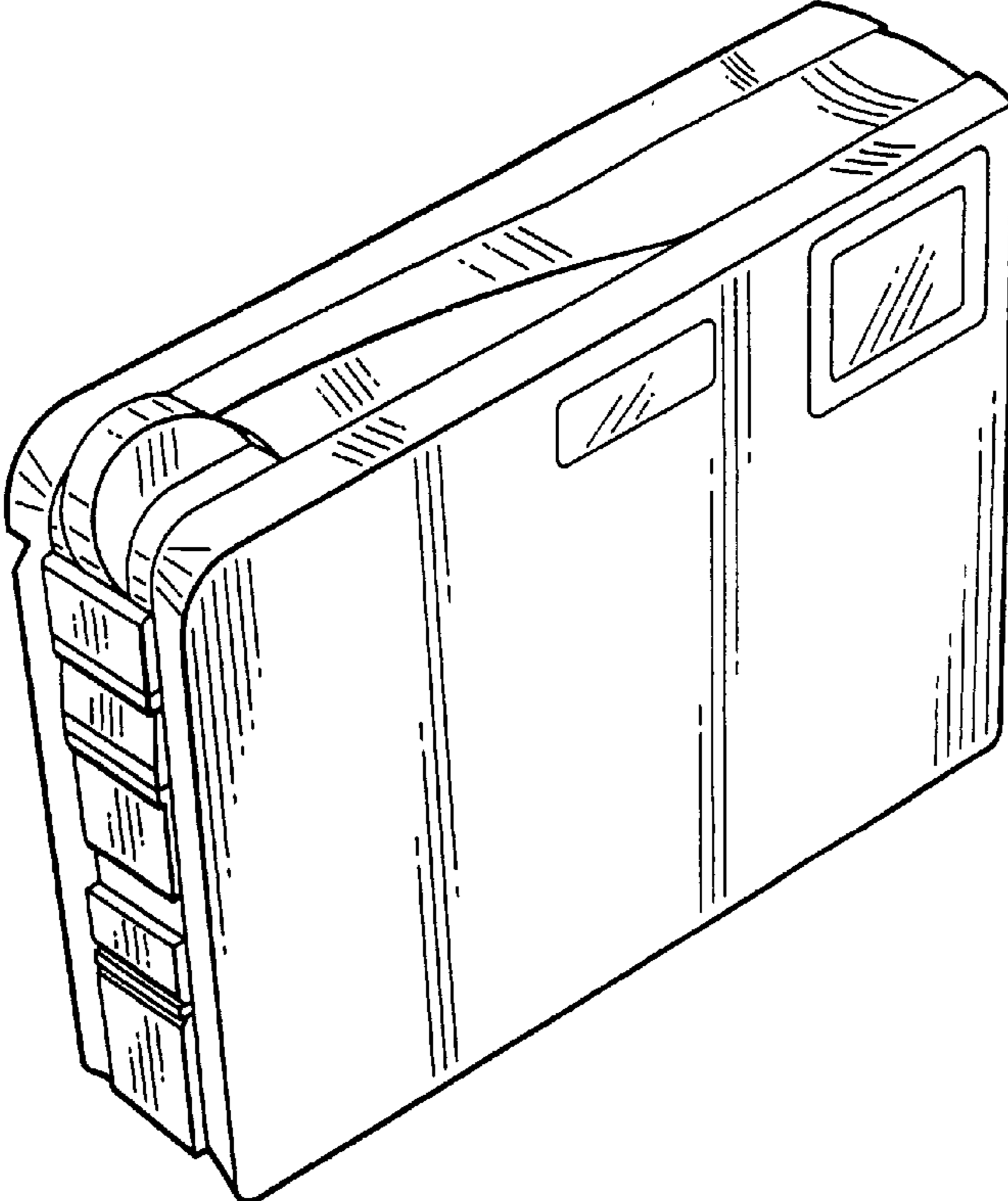


FIG. 1

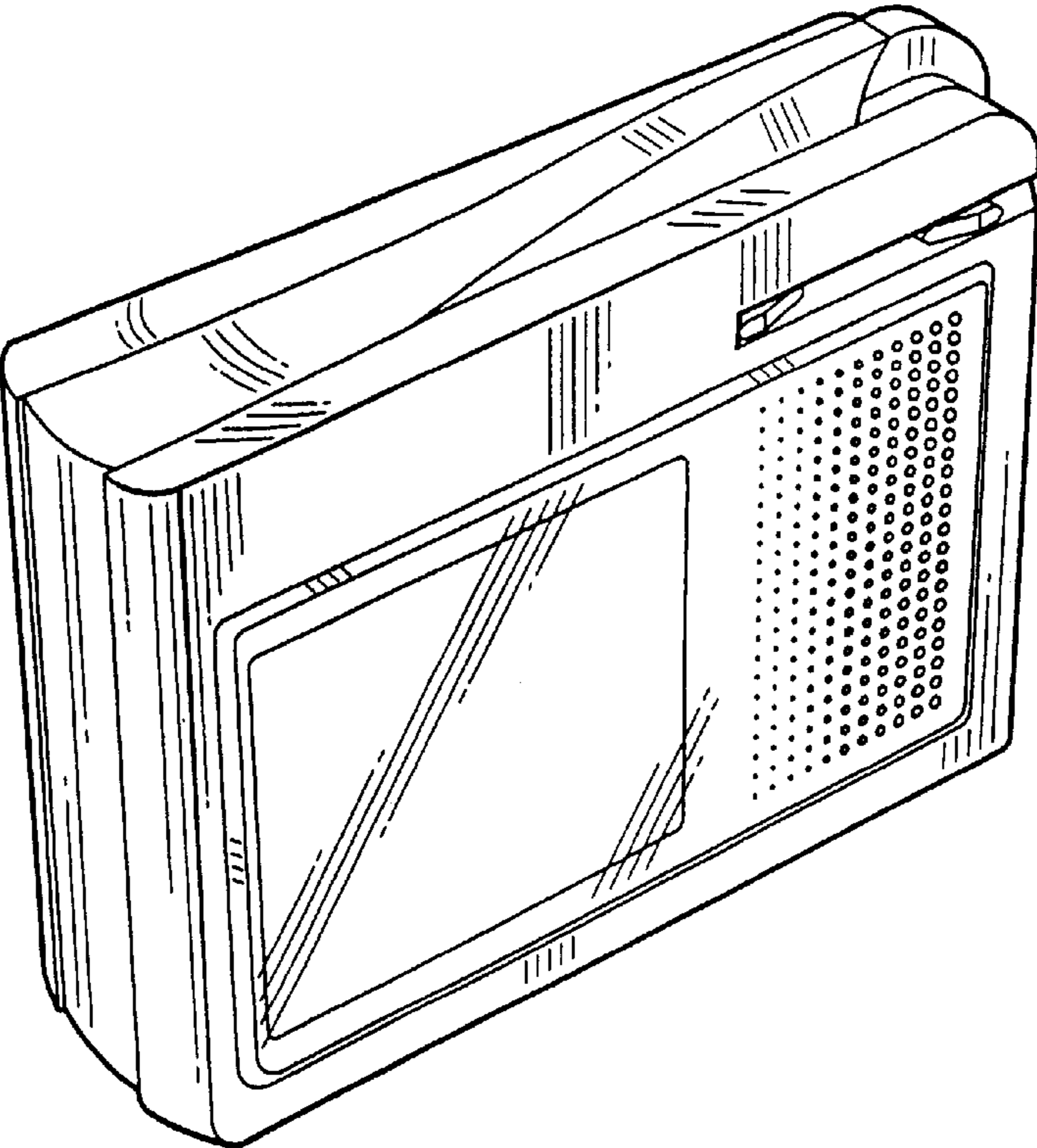


FIG. 2

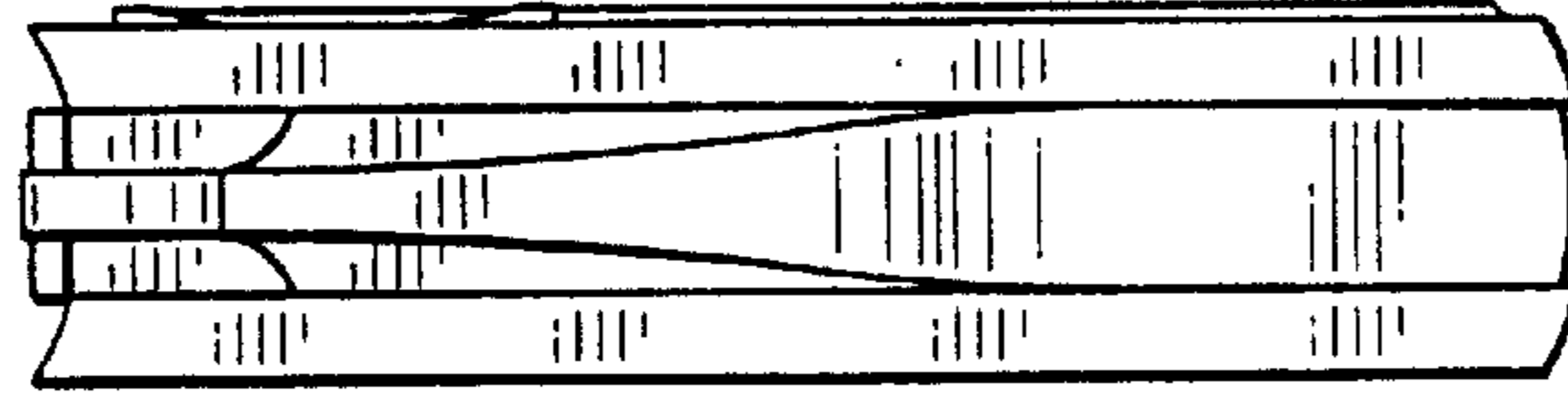


FIG. 3

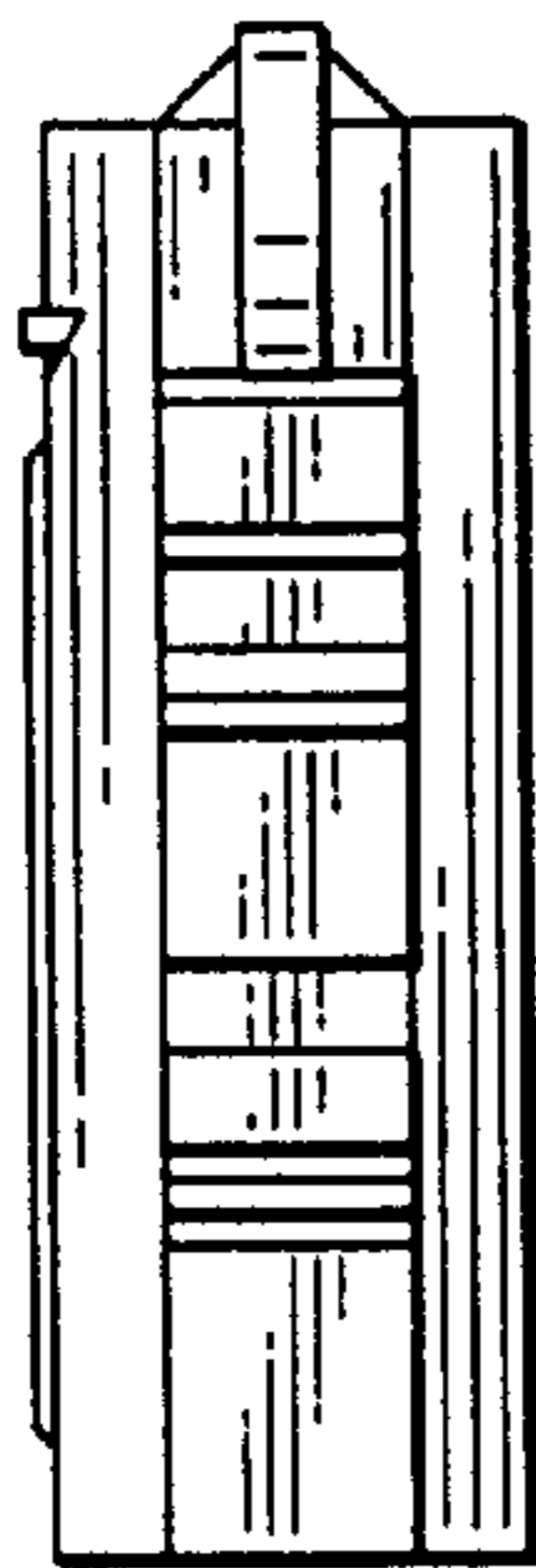


FIG. 4

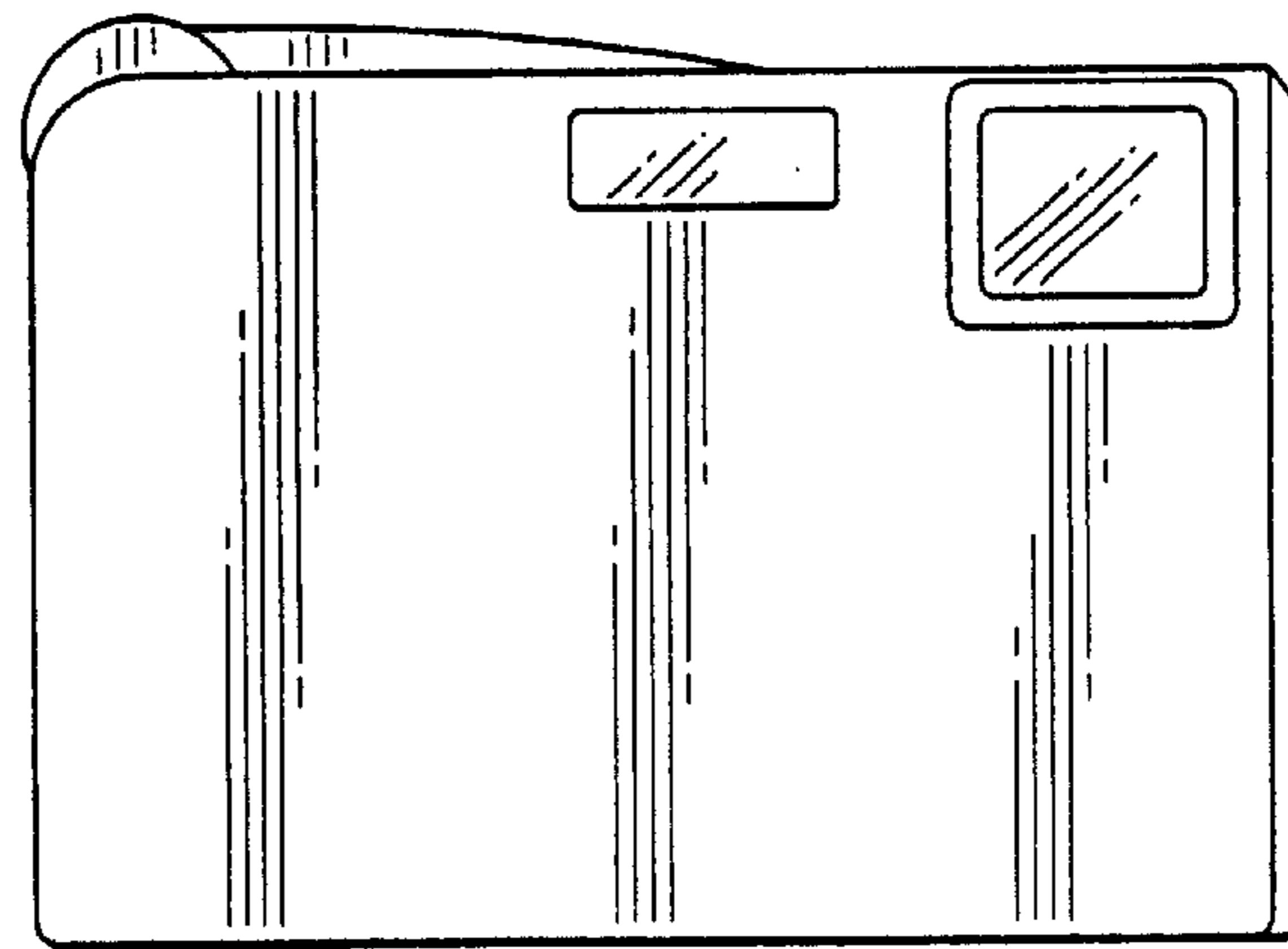


FIG. 5

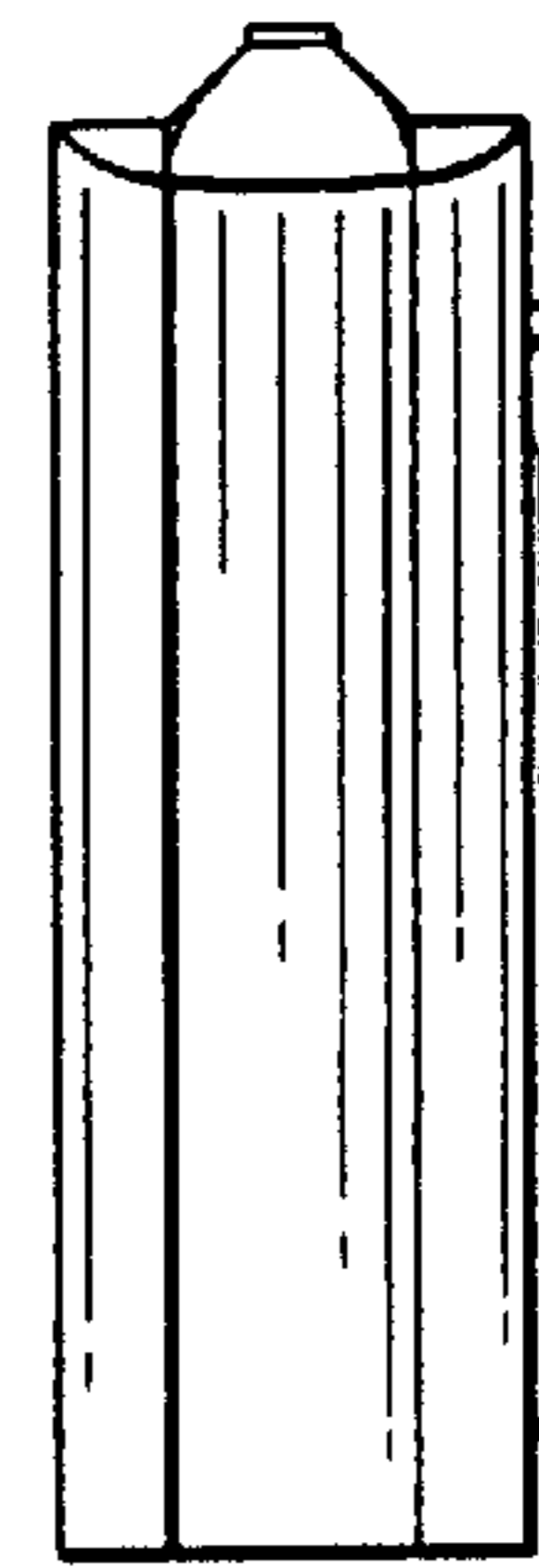


FIG. 6

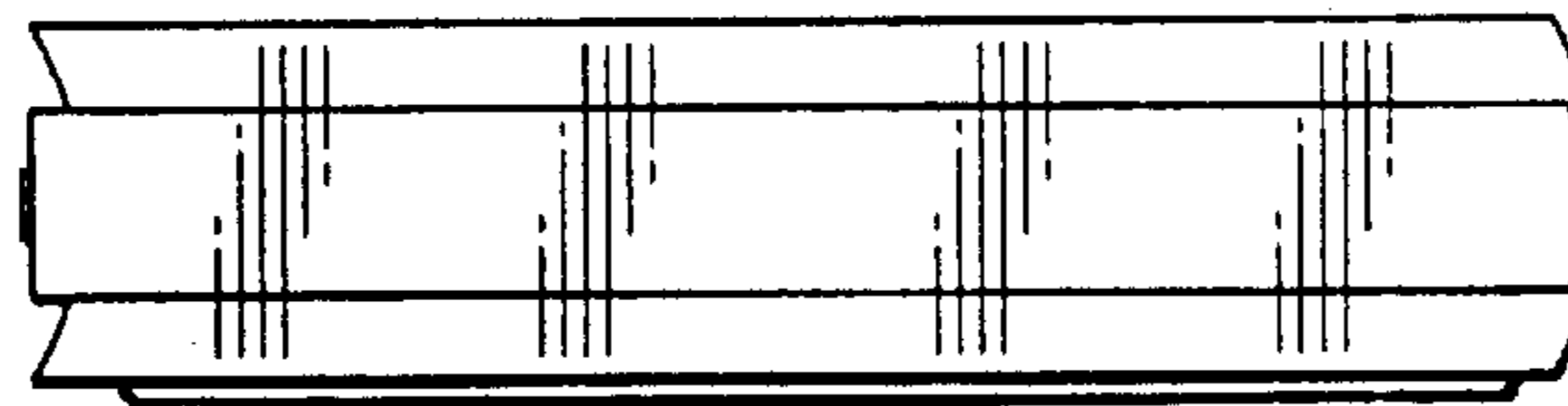


FIG. 7

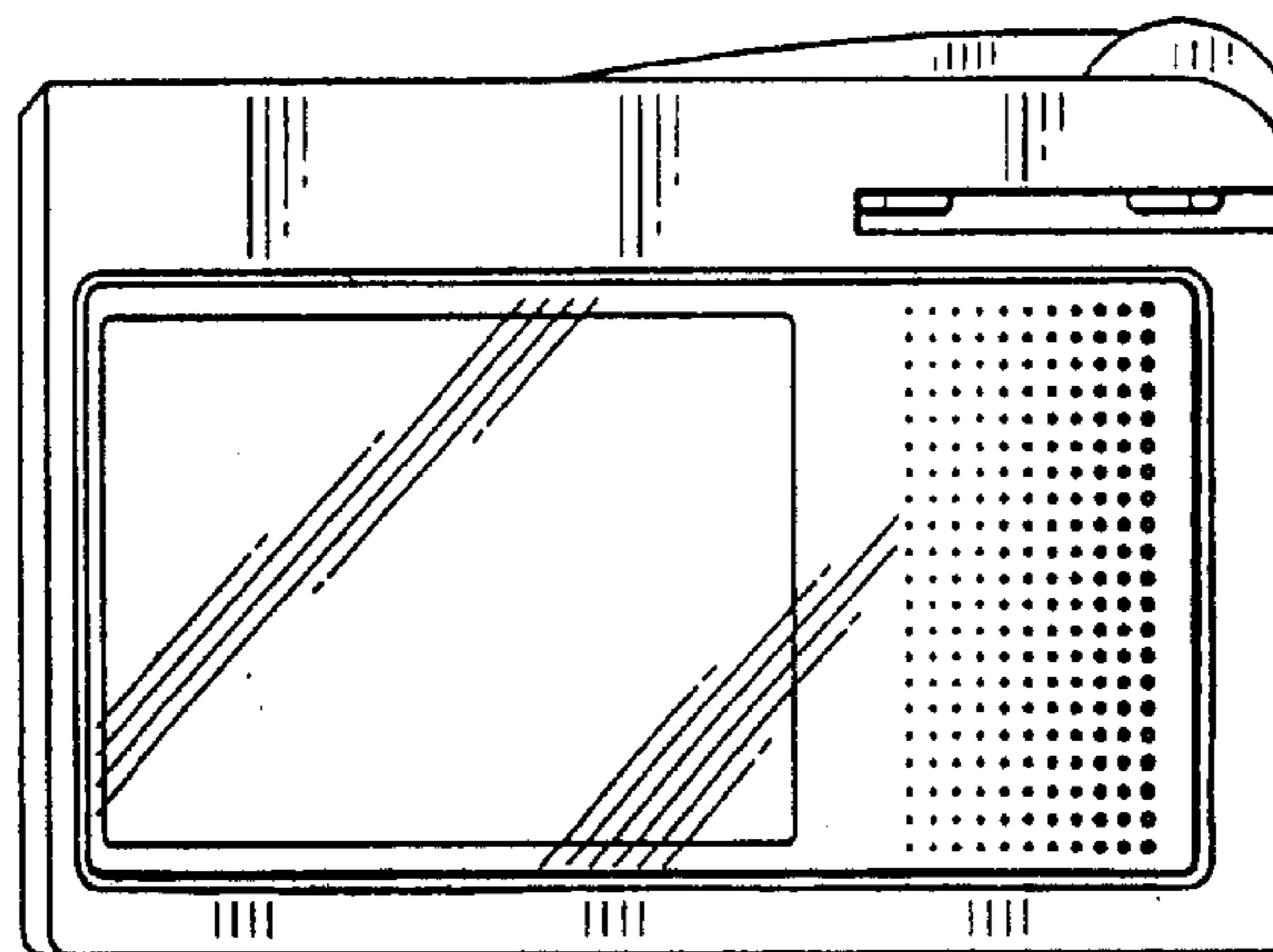


FIG. 8