



US00D501005S

(12) **United States Design Patent**
Patti et al.

(10) **Patent No.: US D501,005 S**
(45) **Date of Patent: ** Jan. 18, 2005**

(54) **“HANDS-FREE” MOBILE PHONE DOCKING STATION AND SPEAKERPHONE**

(76) Inventors: **Anthony George Patti**, 146 Alice St. #B, Arcadia, CA (US) 91006; **Ronald Clifford Ellman**, 16126 Lomacitas La., Whittier, CA (US) 90603

(**) **Term: 14 Years**

(21) **Appl. No.: 29/200,470**

(22) **Filed: Feb. 28, 2004**

(51) **LOC (7) Cl. 14-03**

(52) **U.S. Cl. D14/253; D14/243**

(58) **Field of Search** D14/137, 434, D14/138, 447, 148, 147, 149–151, 140–142, 240, 241, 155, 159, 251–253, 194, 451, 218, 243; 379/426, 449, 419, 420.01–420.04, 428.01–428.04, 440, 454, 455, 446; 455/550.1–90.3; D13/107, 108; 224/670, 197, 271; D3/218; 248/221.11, 231.81; 320/110–115; D19/76

(56) **References Cited**

U.S. PATENT DOCUMENTS

2,803,902 A	*	8/1957	Shedd	40/107
D264,718 S	*	6/1982	Hoshino	D14/171
D273,002 S	*	3/1984	Schafer	D12/417
D274,193 S	*	6/1984	Matkovich	D14/194
D281,879 S	*	12/1985	Ishii et al.	D14/194
D282,179 S	*	1/1986	Yuen	D19/76
D289,520 S	*	4/1987	Pushelberg	D14/151
4,764,961 A	*	8/1988	Hung	381/308
D303,968 S	*	10/1989	Tsujimoto	D14/171
D308,971 S	*	7/1990	Weiser et al.	D14/138

D312,640 S	*	12/1990	Taniguchi	D14/196
D319,262 S	*	8/1991	Brinker et al.	D19/76
D320,018 S	*	9/1991	Bakanowsky, III	D14/172
D327,886 S	*	7/1992	Yan	D14/138
D341,572 S	*	11/1993	Kuroki	D14/388
D352,032 S	*	11/1994	Cowan	D14/151
D354,749 S	*	1/1995	Phillips	D14/151
D381,331 S	*	7/1997	Biskup et al.	D14/149
5,748,707 A	*	5/1998	Sanserino	455/570
6,138,041 A	*	10/2000	Yahia	455/569.2
D454,556 S	*	3/2002	Schmidt et al.	D14/240
D454,561 S	*	3/2002	Hollinger	D14/253
6,438,248 B1	*	8/2002	Kamimura et al.	381/374
D471,187 S	*	3/2003	Song	D14/253
2002/0183101 A1	*	12/2002	Oh et al.	455/569

* cited by examiner

Primary Examiner—Jeffrey Asch

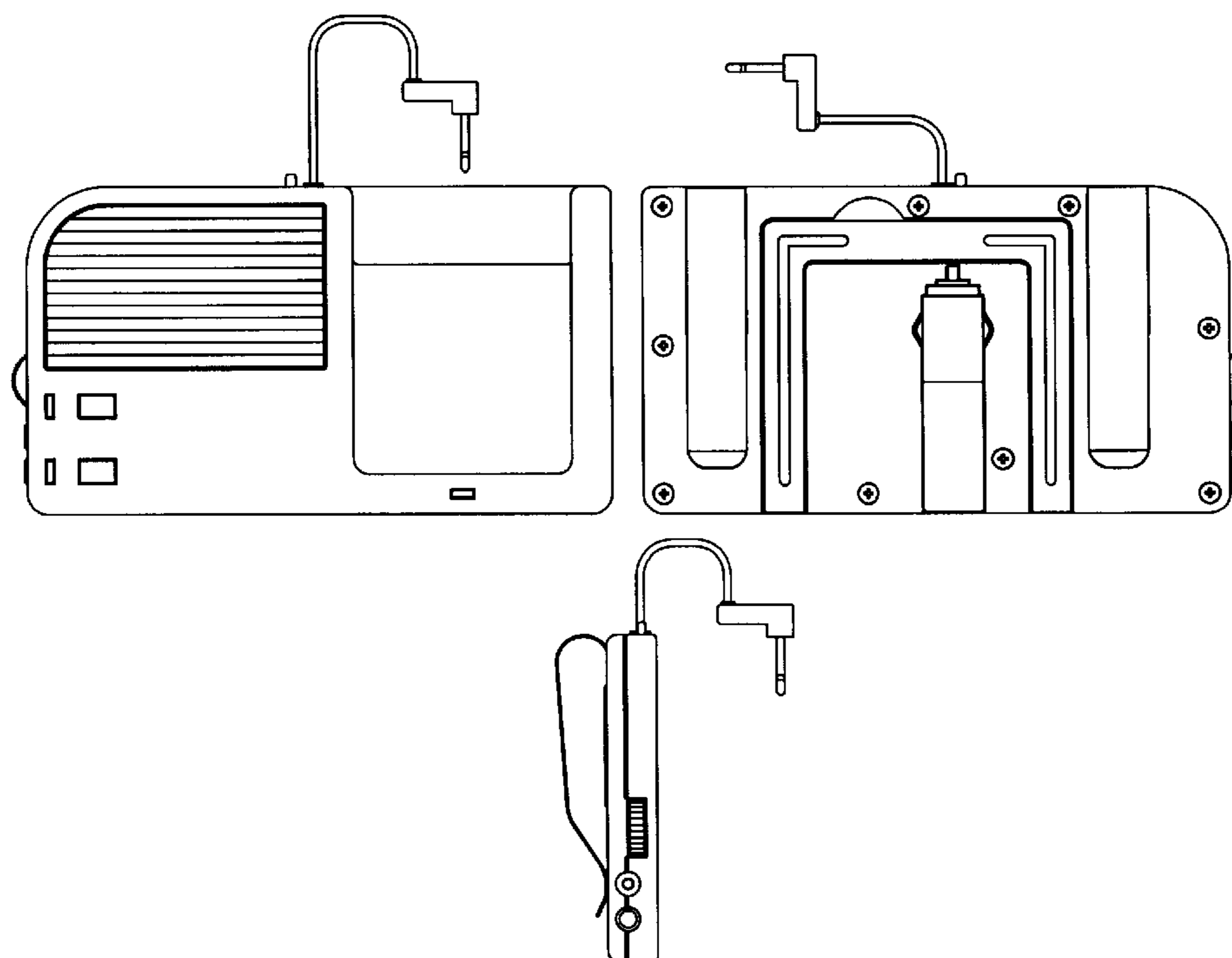
(57) **CLAIM**

The ornamental design for a “hands-free” mobile phone docking station and speakerphone, as shown and described.

DESCRIPTION

FIG. 1 is a front elevational view of a “hands-free” mobile phone docking station and speakerphone; FIG. 2 is a rear elevational view thereof; FIG. 3 is a left side elevational view thereof; FIG. 4 is a right side elevational view thereof; FIG. 5 is a top plan view thereof; FIG. 6 is a left side elevational view showing the support base in a folded down position; and, FIG. 7 is a left side elevational view showing the plug in an extended position.

1 Claim, 1 Drawing Sheet



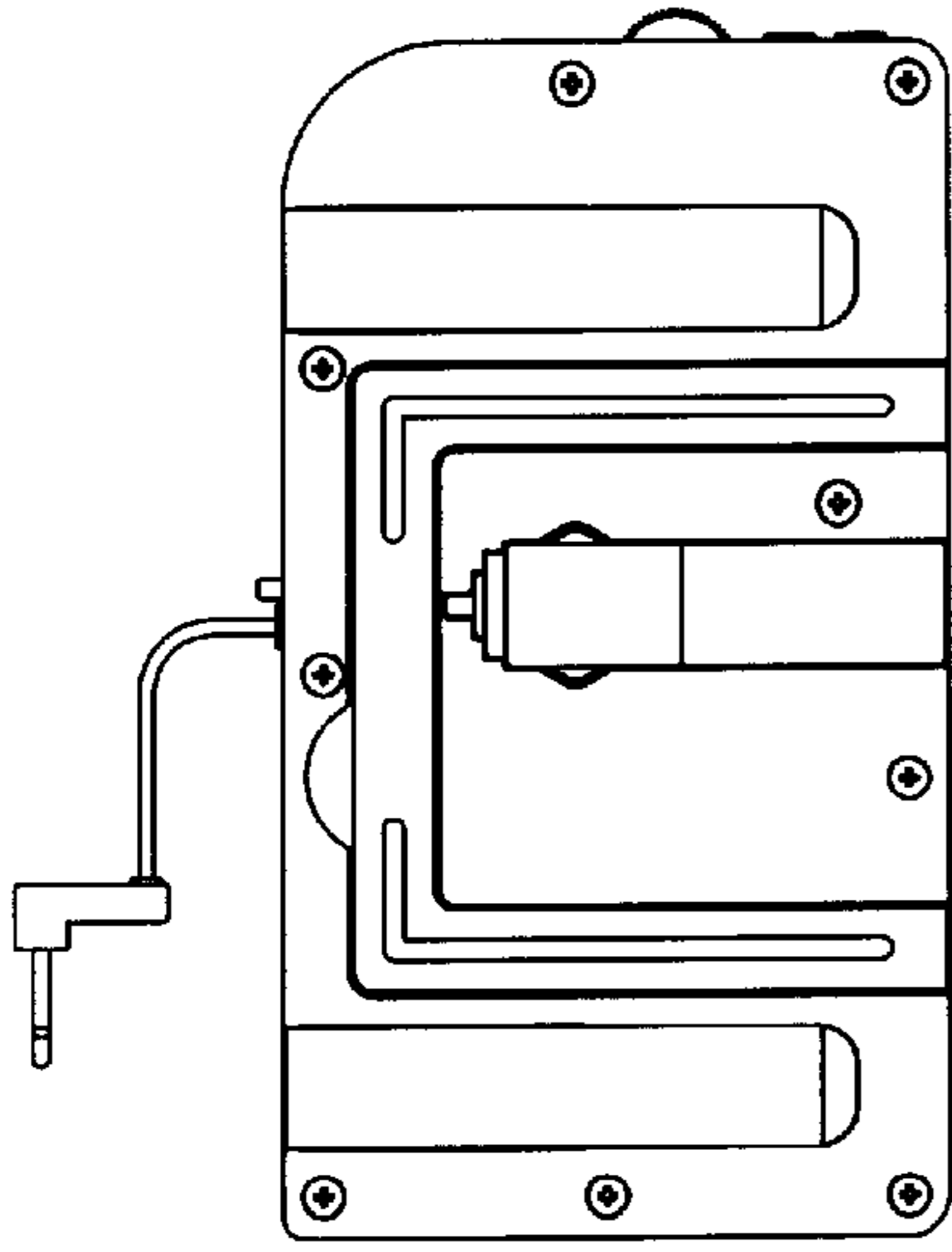


Fig. 2

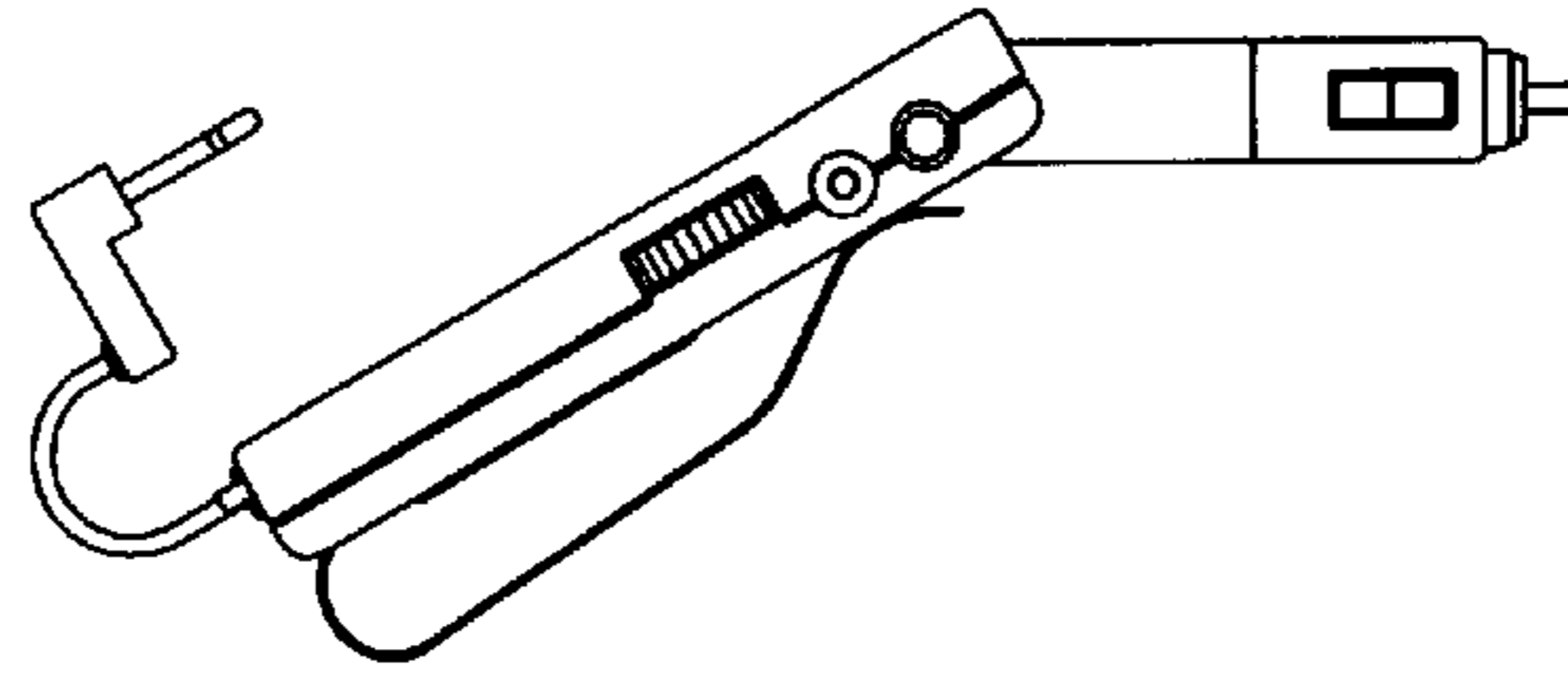


Fig. 7

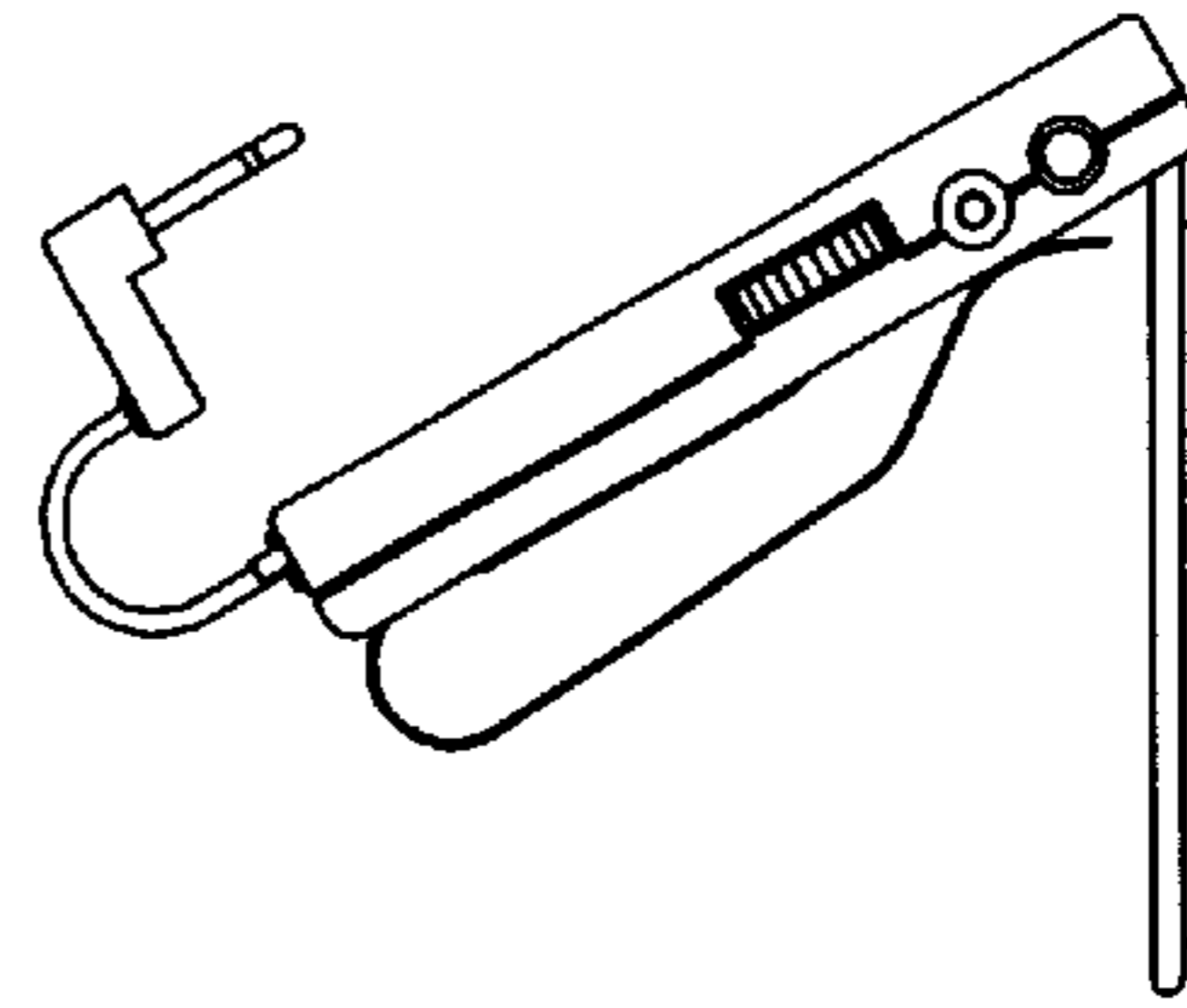


Fig. 6

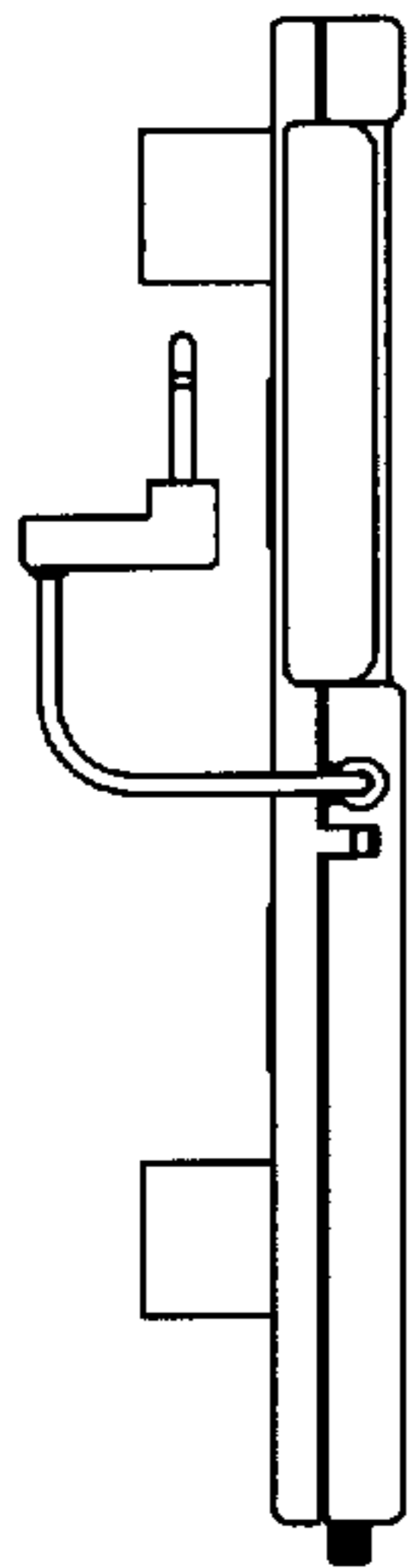


Fig. 5

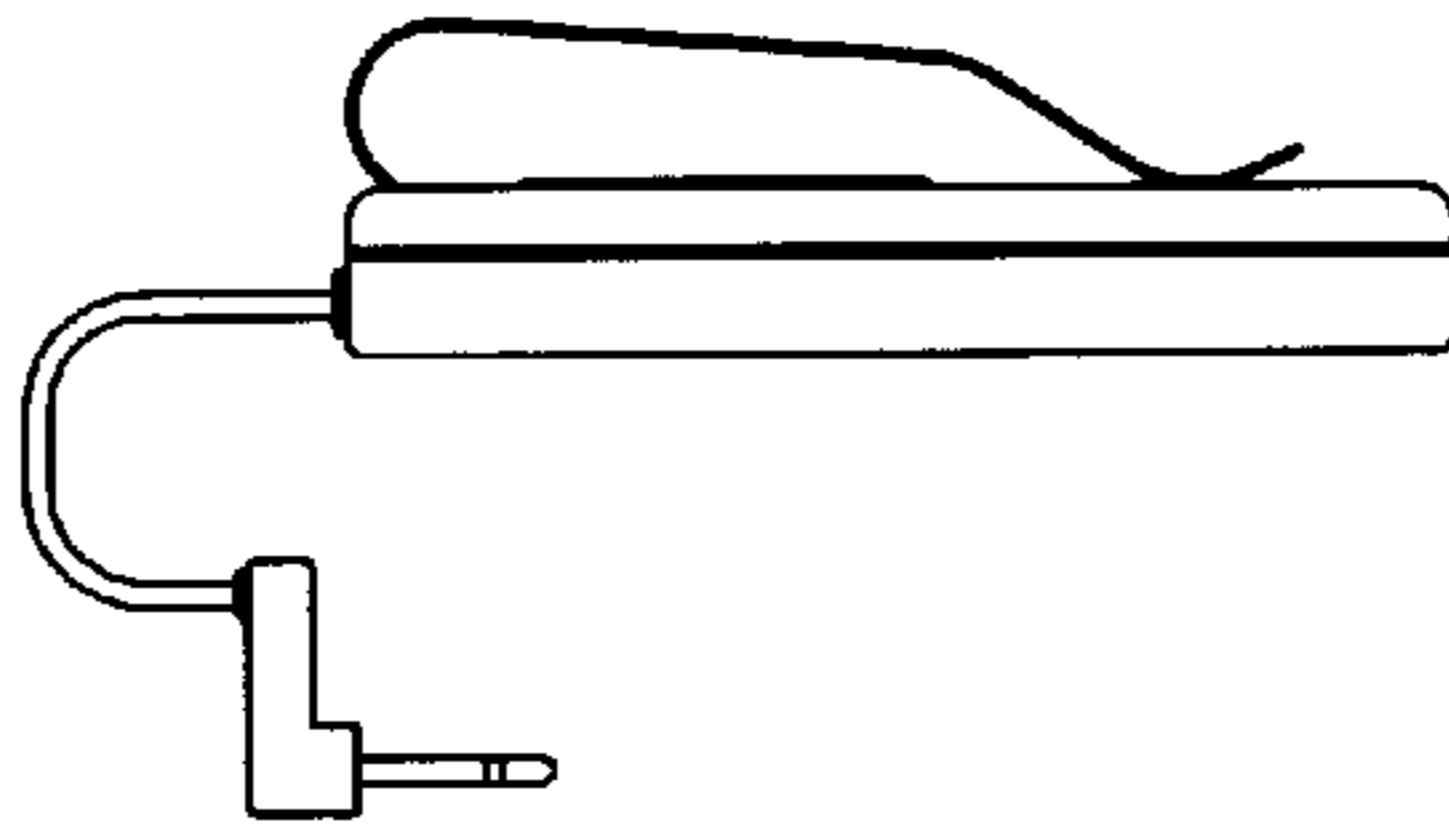


Fig. 4

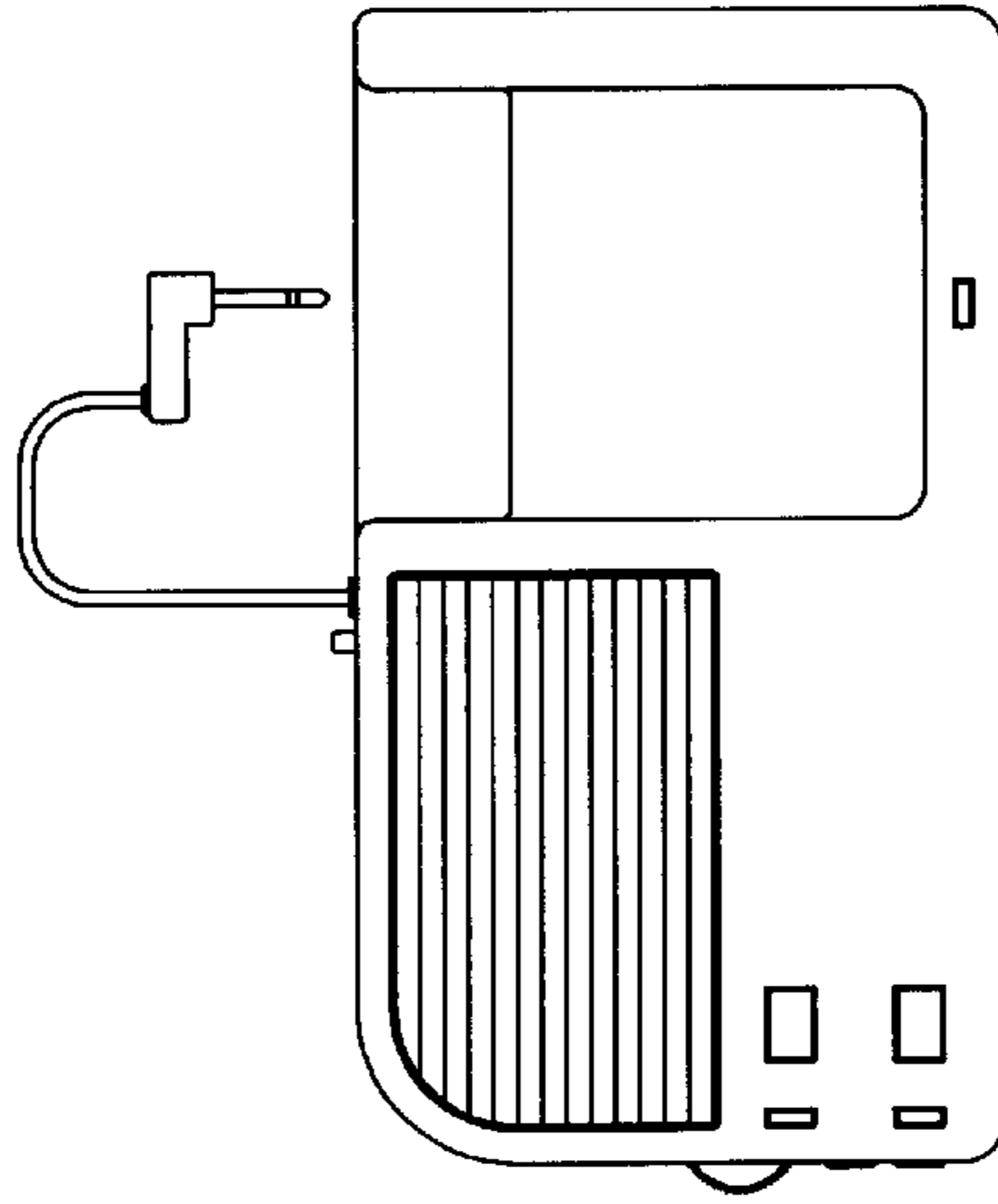


Fig. 1

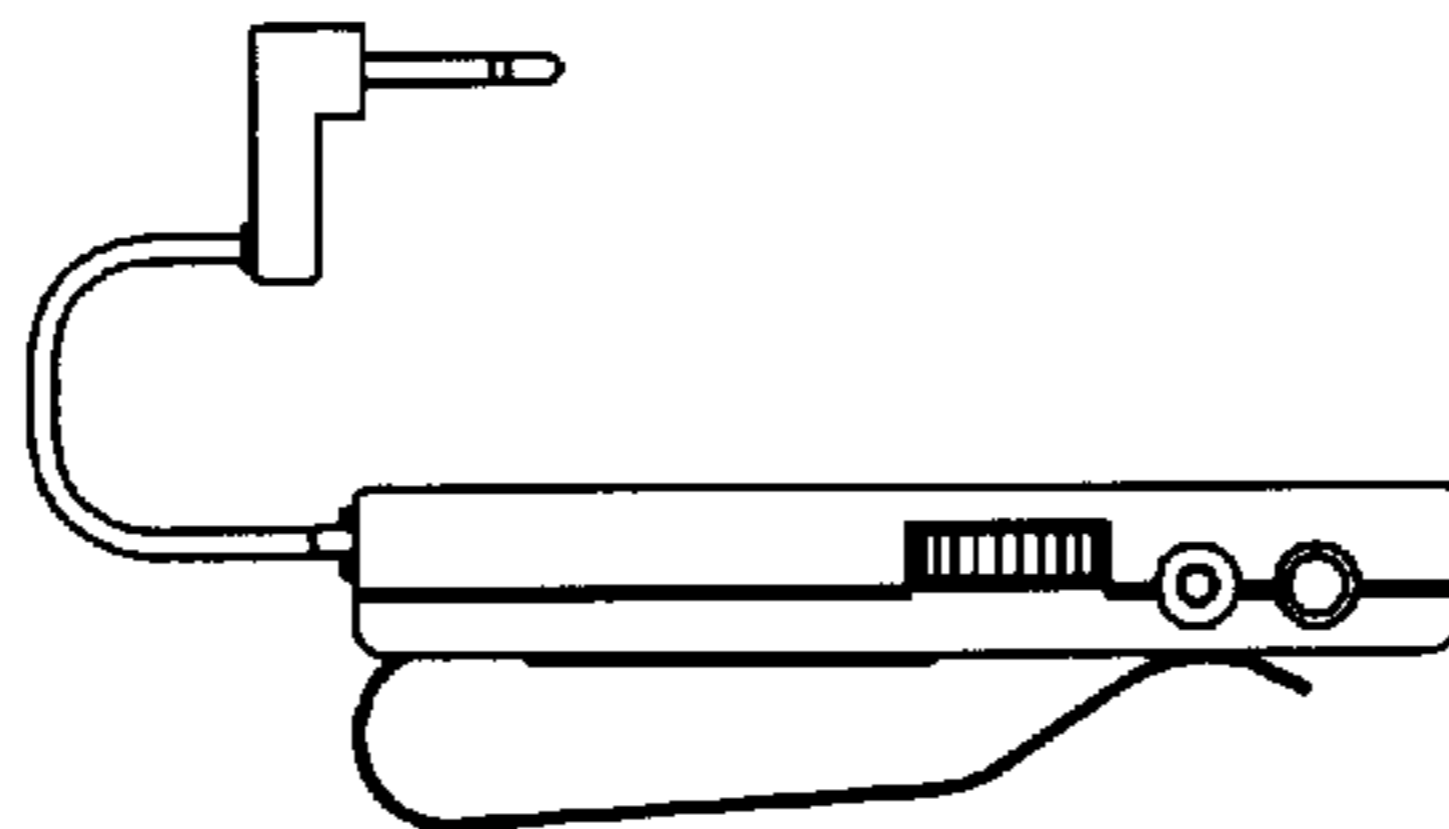


Fig. 3