



US00D500998S

(12) **United States Design Patent** (10) **Patent No.:** **US D500,998 S**
Inoue (45) **Date of Patent:** **** Jan. 18, 2005**

(54) **COMBINED RADIO RECEIVER AND CLOCK**

(75) Inventor: **Shiki Inoue**, Tokyo (JP)

(73) Assignee: **Sony Corporation**, Tokyo (JP)

(**) Term: **14 Years**

(21) Appl. No.: **29/200,814**

(22) Filed: **Mar. 5, 2004**

(51) **LOC (7) Cl.** **14-01**

(52) **U.S. Cl.** **D14/171**

(58) **Field of Search** D10/1, 2, 15; D14/168,
D14/170, 171, 188, 193-198; 312/7.1; 455/90,
100, 128, 344, 347, 350-351

(56) **References Cited**

U.S. PATENT DOCUMENTS

D238,170 S	*	12/1975	Schmidt	D10/1
D276,703 S	*	12/1984	Au	D10/15
D450,049 S	*	11/2001	Lacotta et al.	D14/171
D465,470 S		11/2002	Ng		
D466,101 S		11/2002	Hu		
D475,693 S		6/2003	Matsuoka		
D478,562 S	*	8/2003	Hu	D14/171

OTHER PUBLICATIONS

Web page "Philips Consumer Electronics, AJ3260" <http://www.consumer.philips.com/global/b2c/ce/catalog/products.jsessionid=OL5LOPS0HZ5> . . . 1 sheet, Philips (Sep. 2003).

Web page "Philips Consumer Electronics, AJ3050" <http://www.consumer.philips.com/global/b2c/ce/catalog/products.jsessionid=OL5LOPS0HZ5> . . . 1 sheet, Philips (Sep. 2003).

Web page "Timex TX60Q Clock Radio" [http://www.deal-time.com/xPO-Timex TX60Q](http://www.deal-time.com/xPO-Timex_TX60Q) 1 sheet, DealTime (Sep. 2003).

* cited by examiner

Primary Examiner—Nanda Bondade

(74) *Attorney, Agent, or Firm*—Rader, Fishman & Grauer PLLC

(57) **CLAIM**

The ornamental design for a combined radio receiver and clock, as shown.

DESCRIPTION

FIG. 1 is a perspective view of a combined radio receiver and clock showing my new design;

FIG. 2 is a front elevational view thereof;

FIG. 3 is a rear elevational view thereof;

FIG. 4 is a left side elevational view thereof;

FIG. 5 is a right side elevational view thereof;

FIG. 6 is a top plan view thereof; and,

FIG. 7 is a bottom plan view thereof.

1 Claim, 4 Drawing Sheets

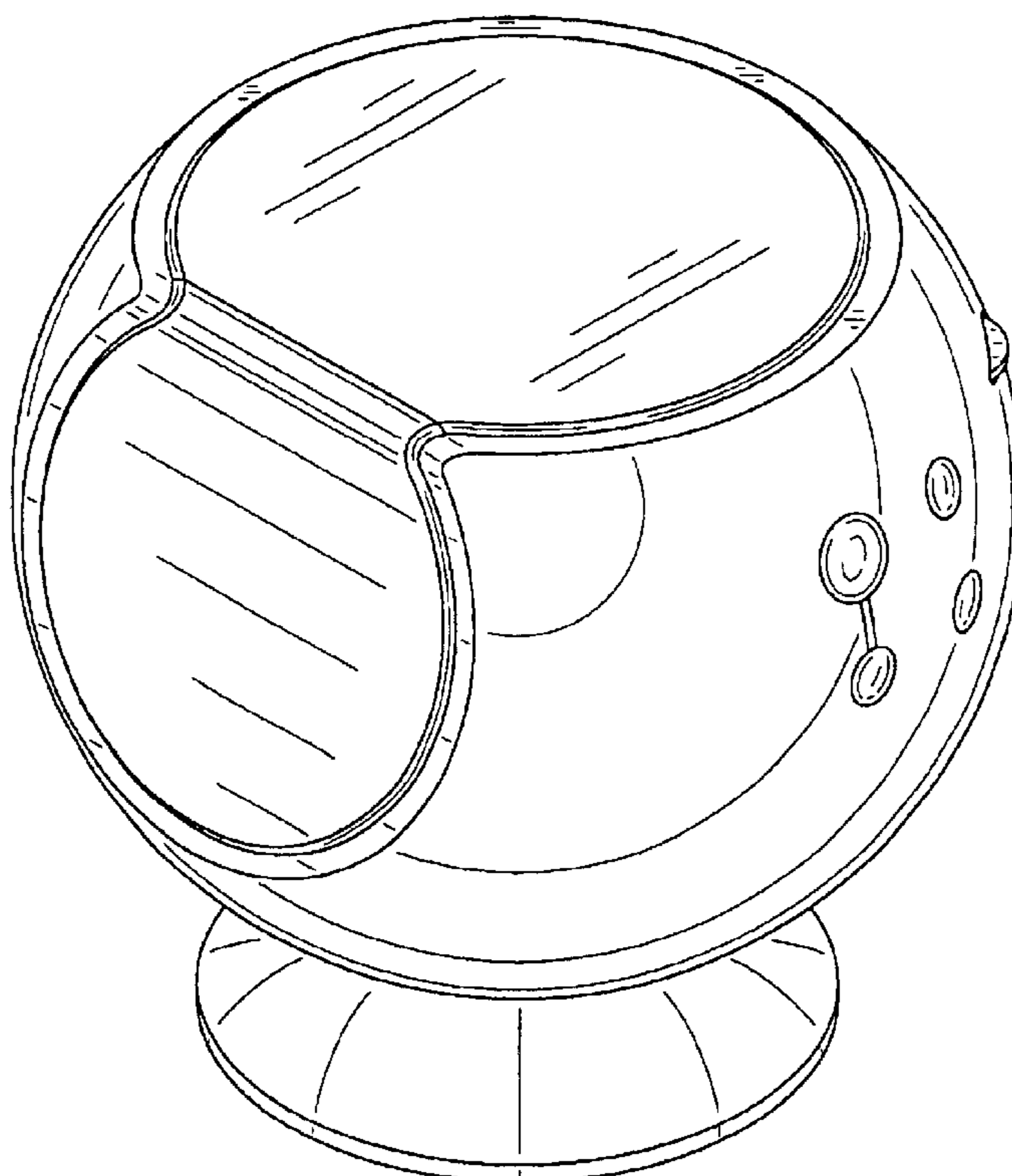


Fig.1

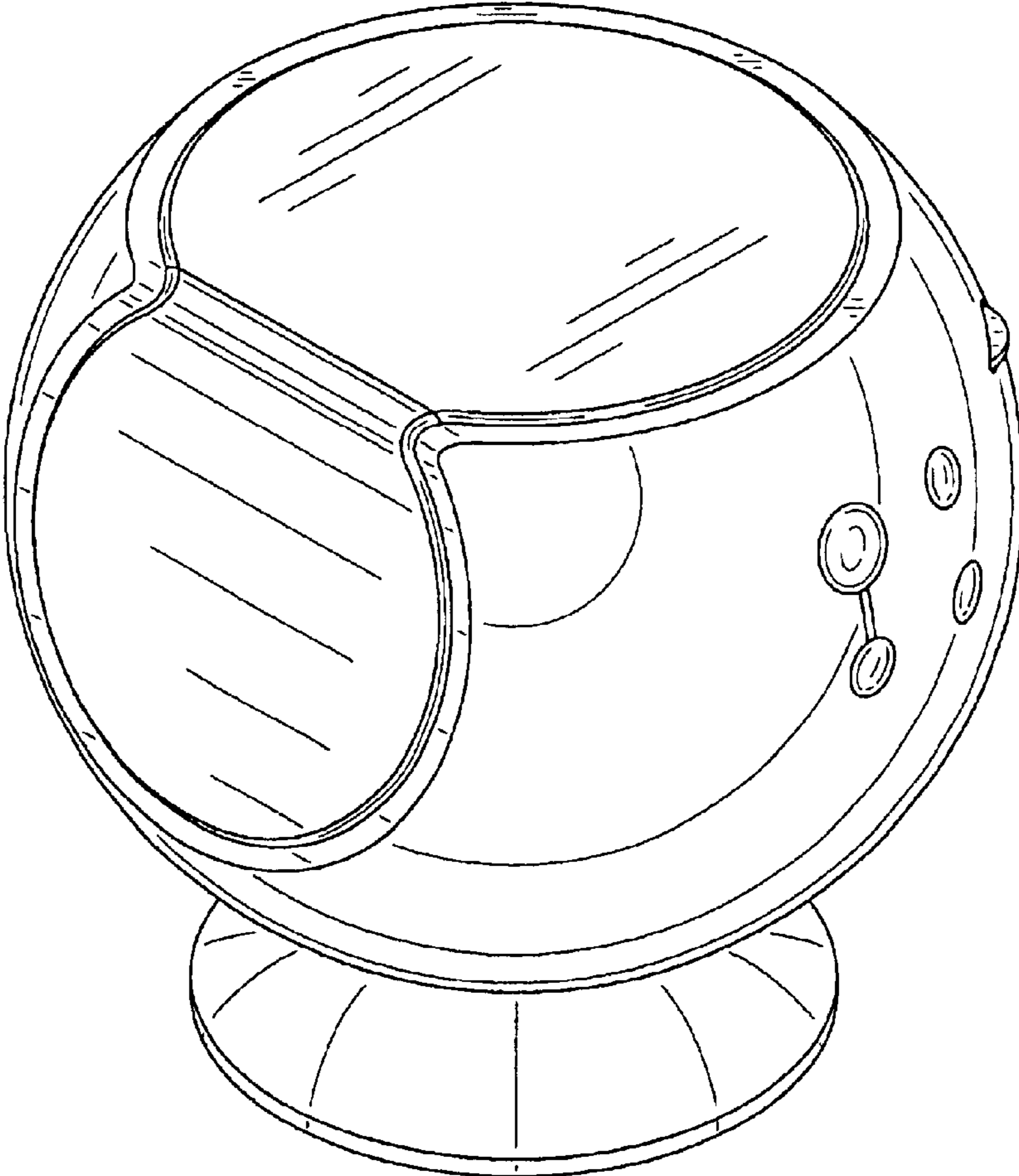


Fig.2

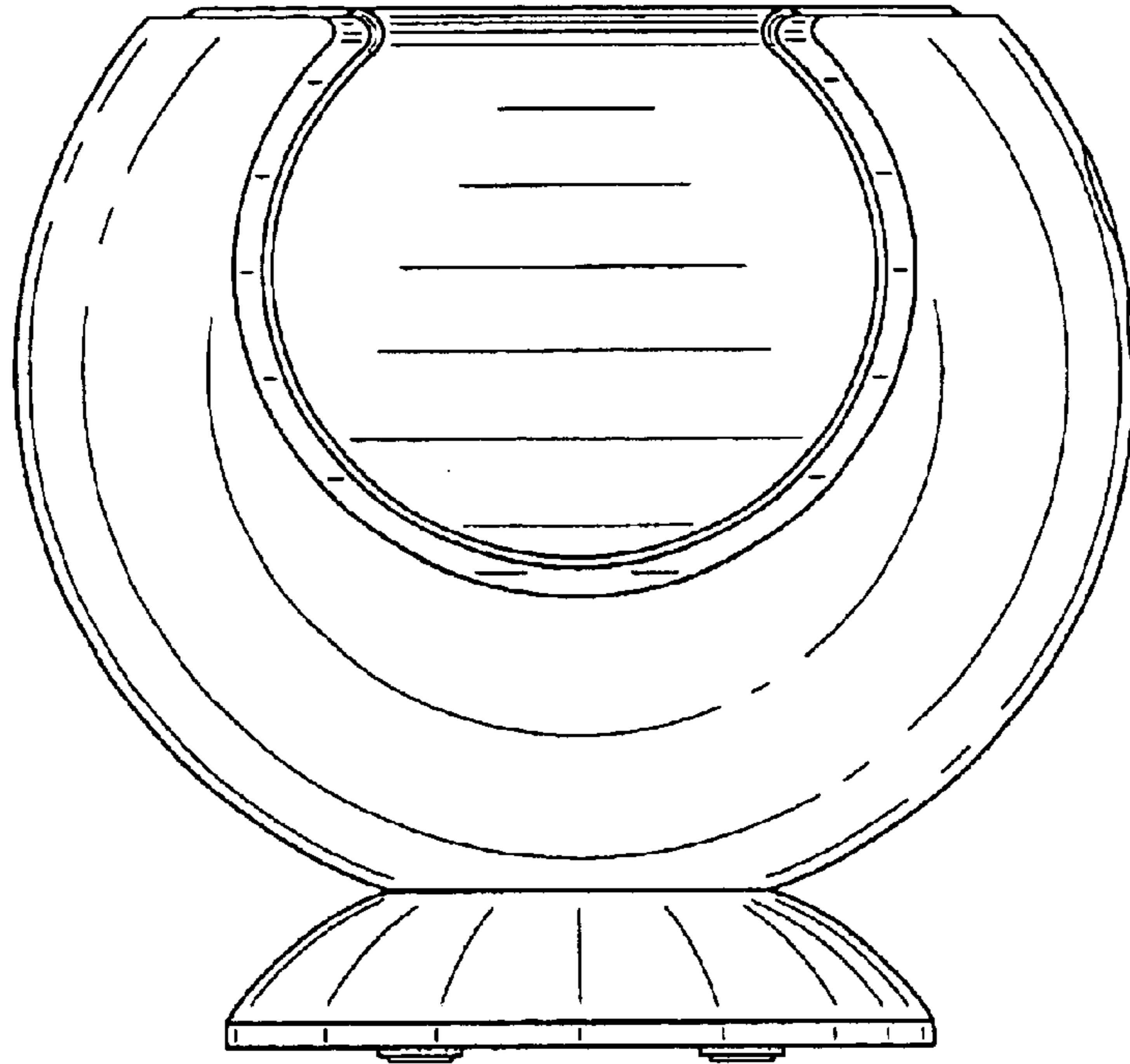


Fig.3

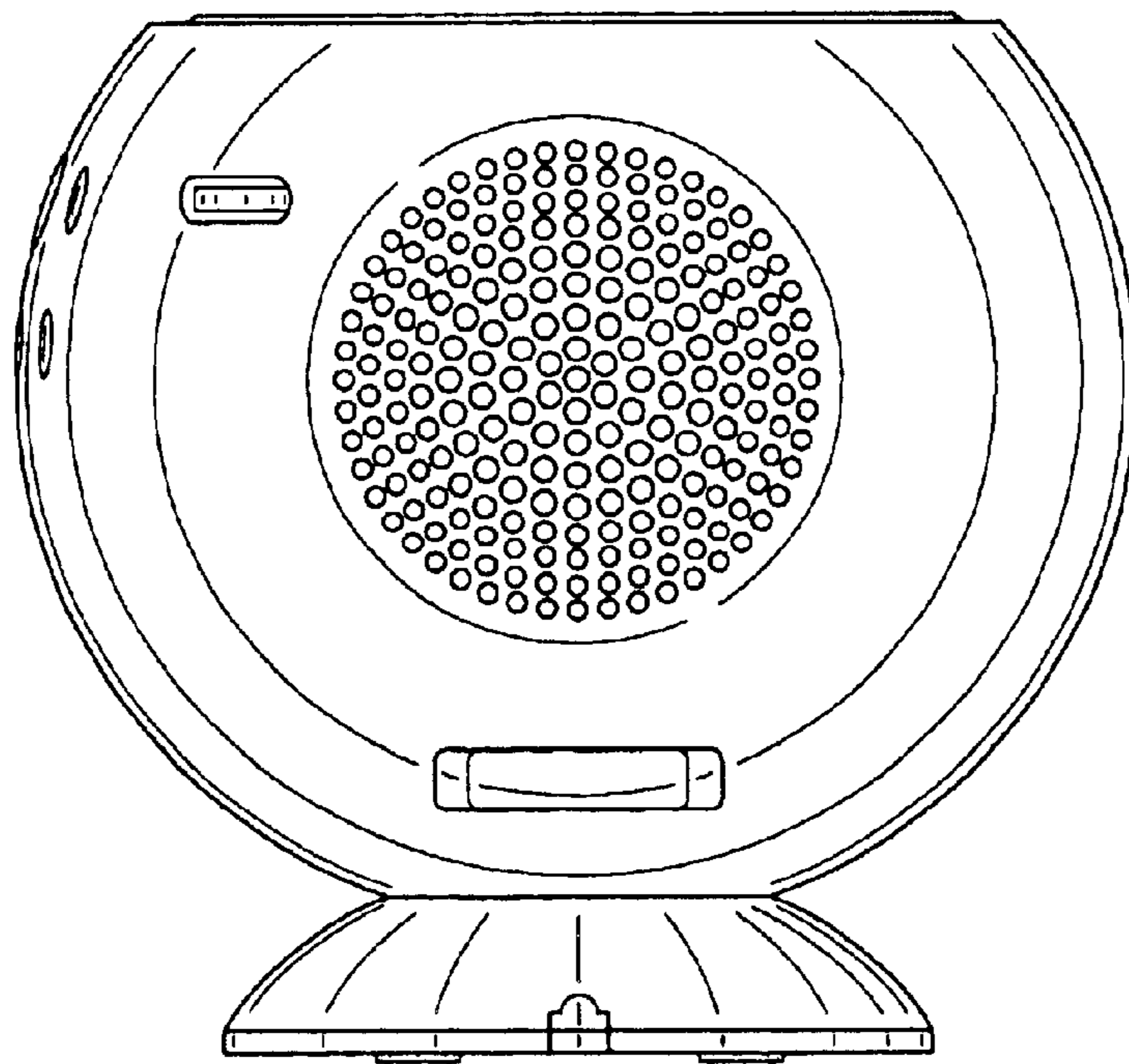


Fig.4

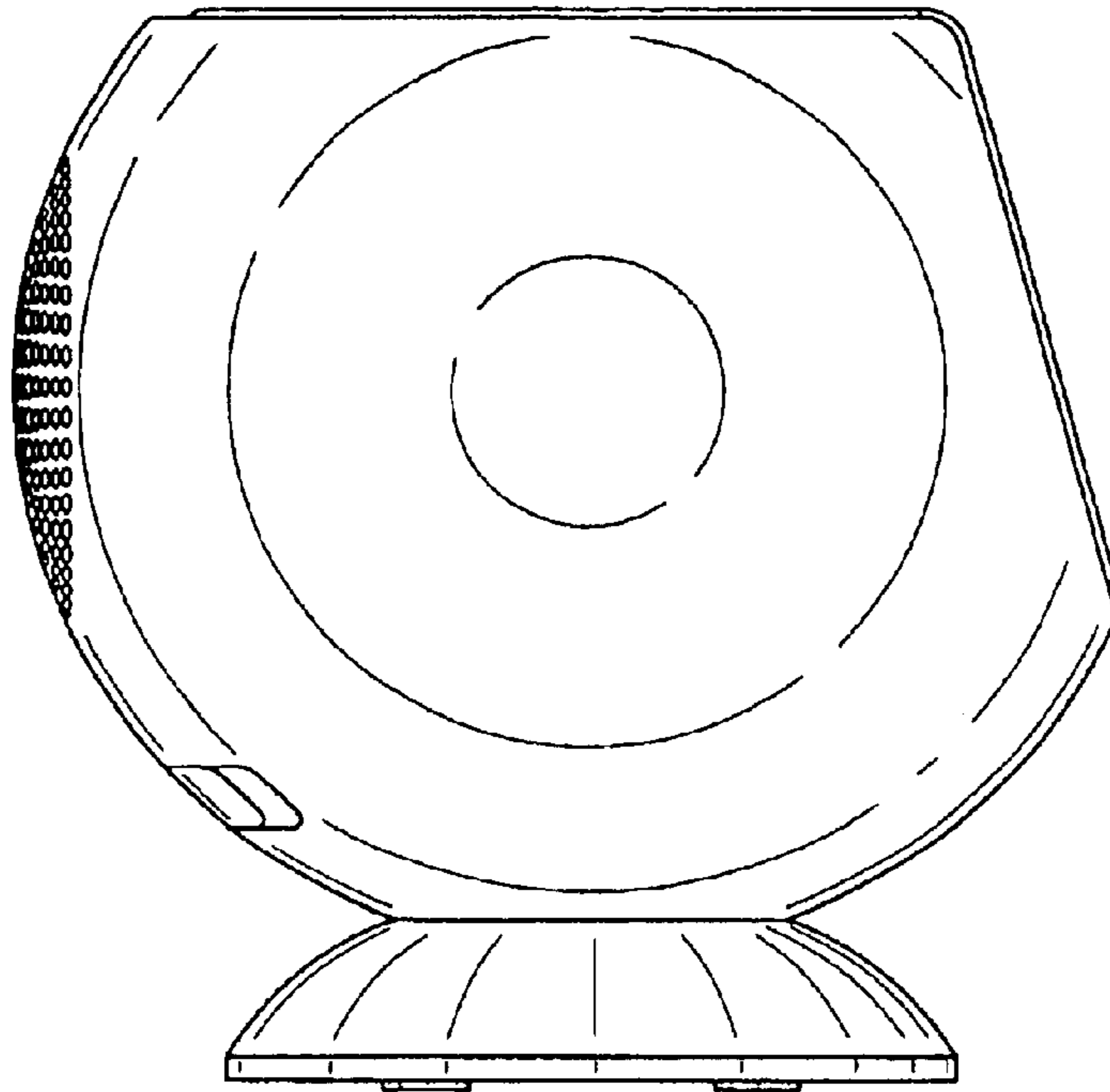


Fig.5

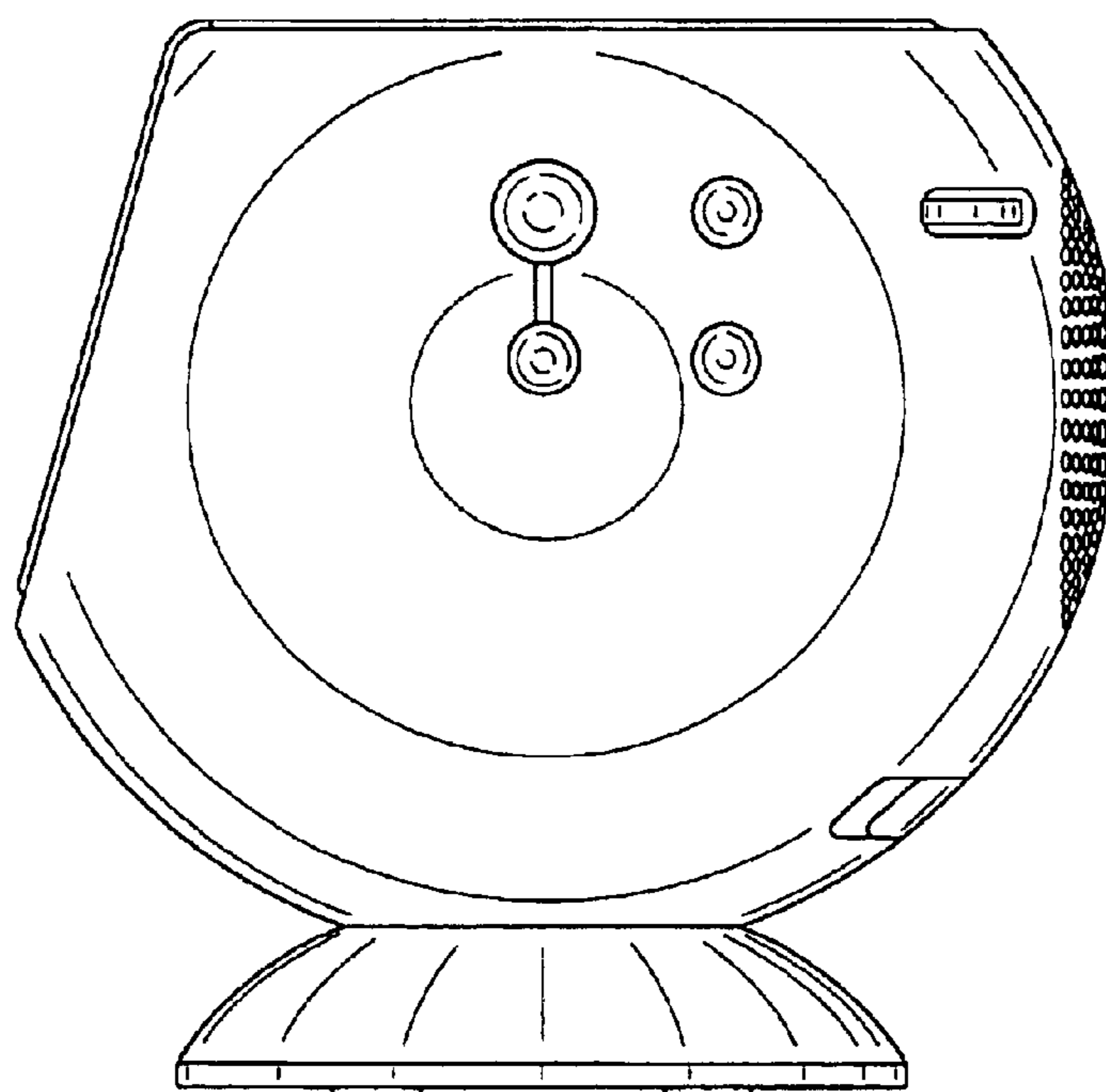


Fig.6

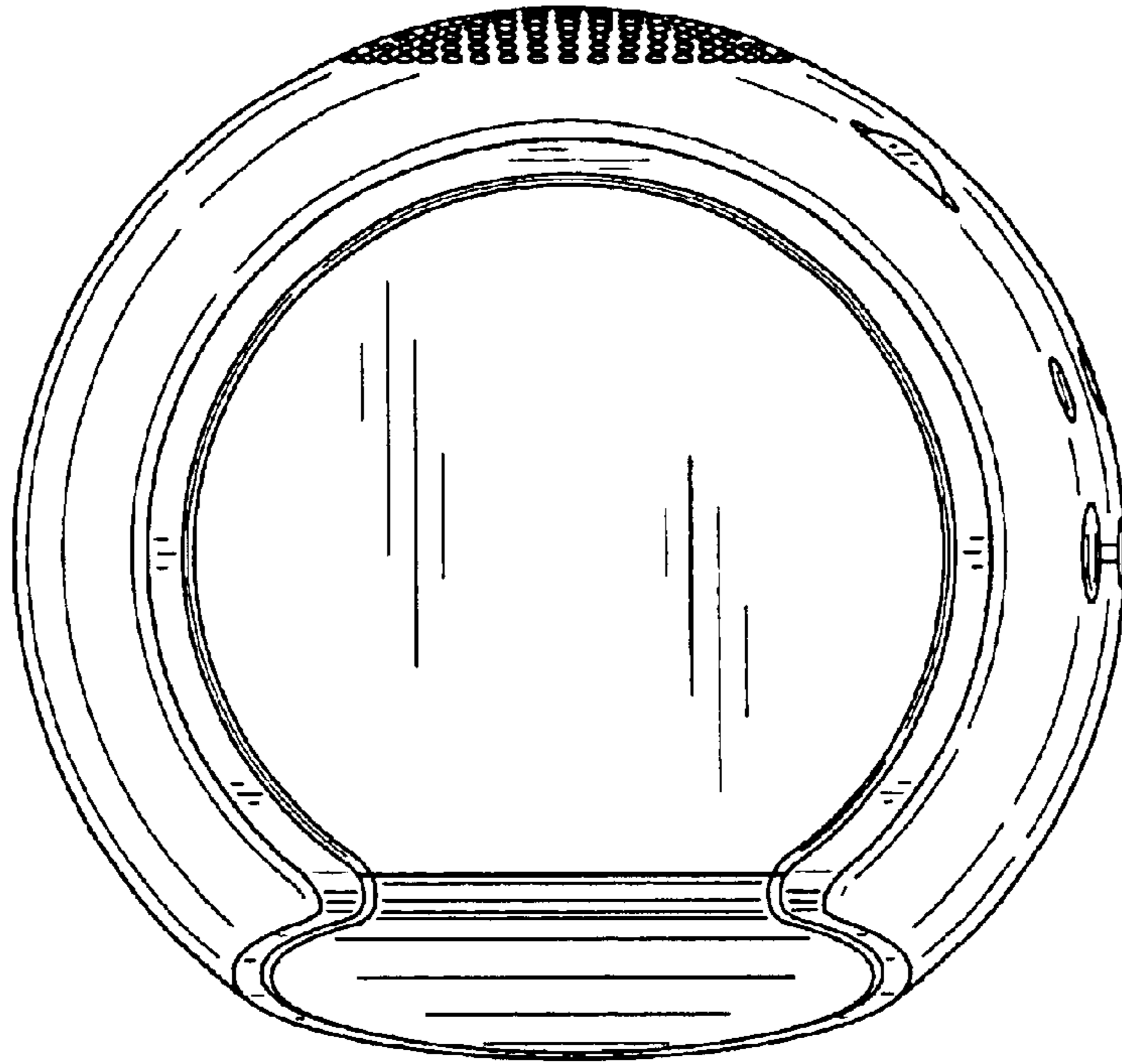


Fig.7

