

US00D500997S

(12) **United States Design Patent**
Nakamura

(10) **Patent No.:** **US D500,997 S**
(45) **Date of Patent:** **** Jan. 18, 2005**

(54) **COMBINED DIGITAL AUDIO DISC PLAYER
AND RADIO TUNER FOR VEHICLE**

D462,951 S * 9/2002 Storti et al. D14/257

* cited by examiner

(75) Inventor: **Shigeo Nakamura, Kobe (JP)**

Primary Examiner—Nanda Bondade

(73) Assignee: **Fujitsu Ten Limited (JP)**

(74) *Attorney, Agent, or Firm*—SAIDMAN DesignLaw Group

(**) Term: **14 Years**

(57) **CLAIM**

(21) Appl. No.: **29/196,355**

The ornamental design for a combined digital audio disc player and radio tuner for vehicle, as shown and described.

(22) Filed: **Dec. 26, 2003**

DESCRIPTION

(51) **LOC (7) Cl.** **14-01**

(52) **U.S. Cl.** **D14/157; D14/258**

(58) **Field of Search** D14/135–136,
D14/160–168, 188, 197–198, 156–157,
257, 258; 455/100, 344, 347–351; 369/75.1,
75.2, 77.2

FIG. 1 is a front perspective view of a combined digital audio disc player and radio tuner for a vehicle showing my new design;

FIG. 2 is a front view thereof;

FIG. 3 is a left side elevational view thereof;

FIG. 4 is a right side elevational view thereof;

FIG. 5 is a top plan view thereof; and,

FIG. 6 is a bottom plan view thereof.

The broken line showing on FIGS. 1–6 is for illustrative purposes only and forms no part of the claimed design.

(56) **References Cited**

U.S. PATENT DOCUMENTS

- D330,204 S * 10/1992 Tokiyama D14/137
- 5,862,468 A * 1/1999 Kim 455/348
- D445,782 S * 7/2001 Thellec D14/258

1 Claim, 3 Drawing Sheets

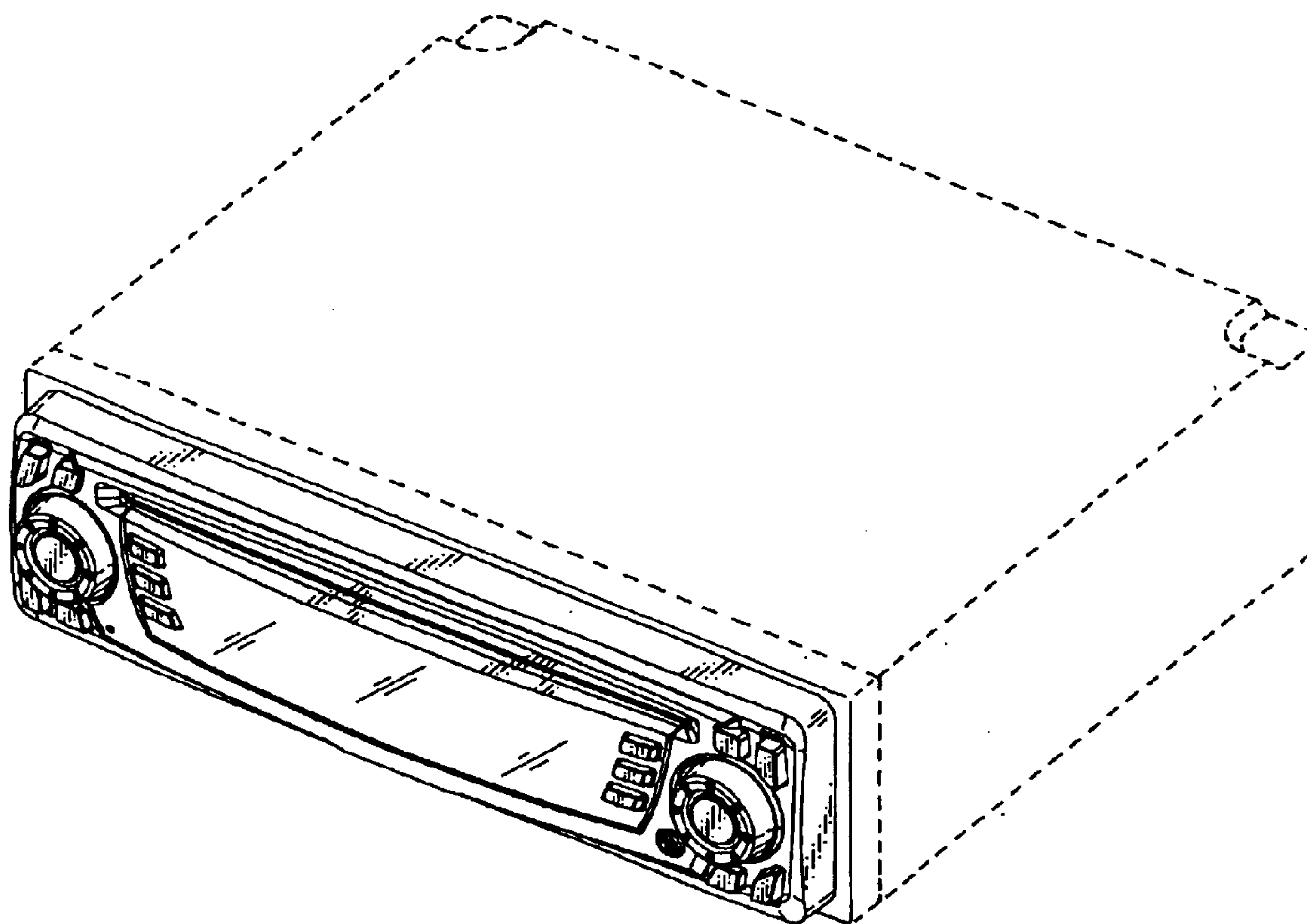


Fig. 1

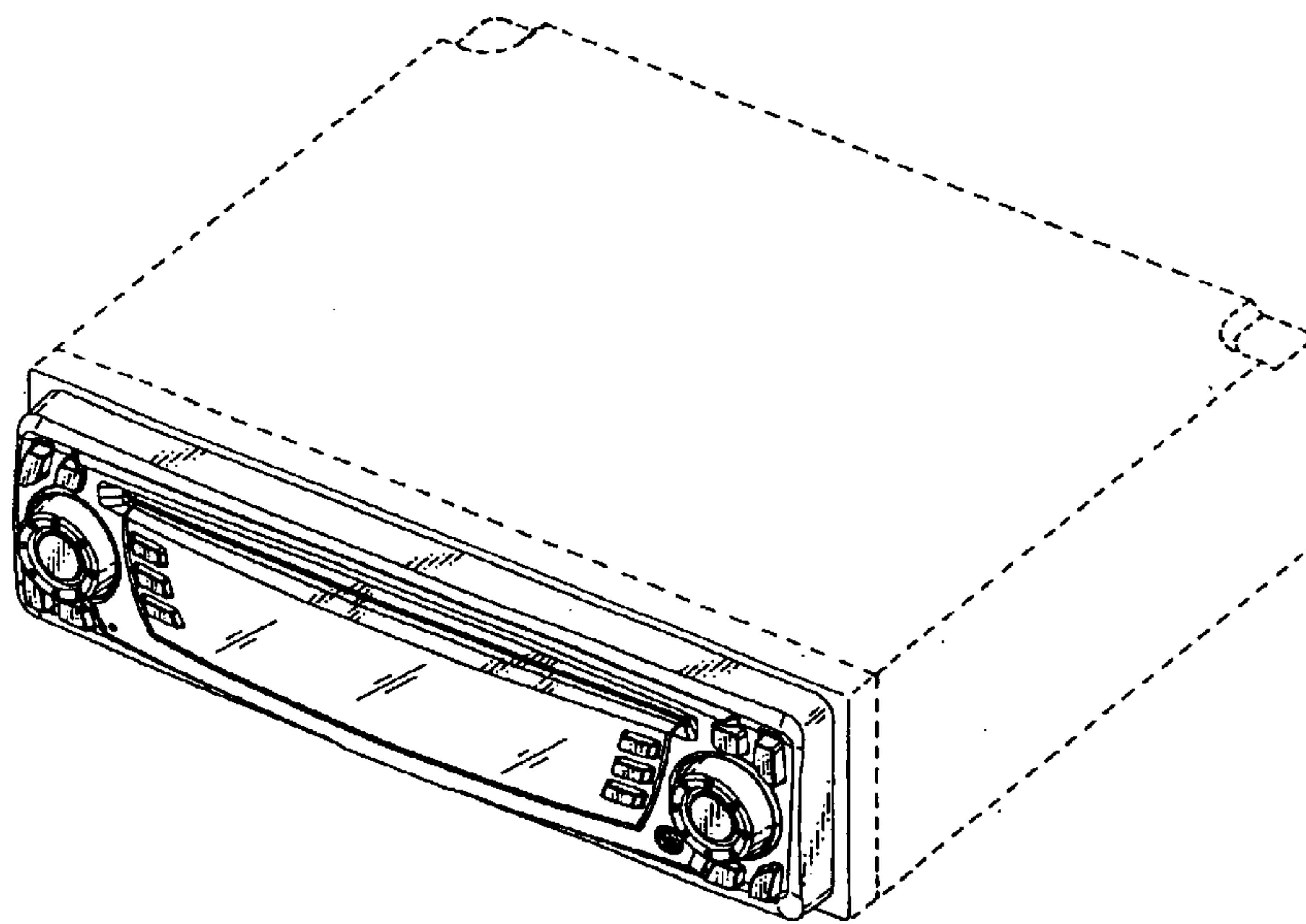


Fig.2

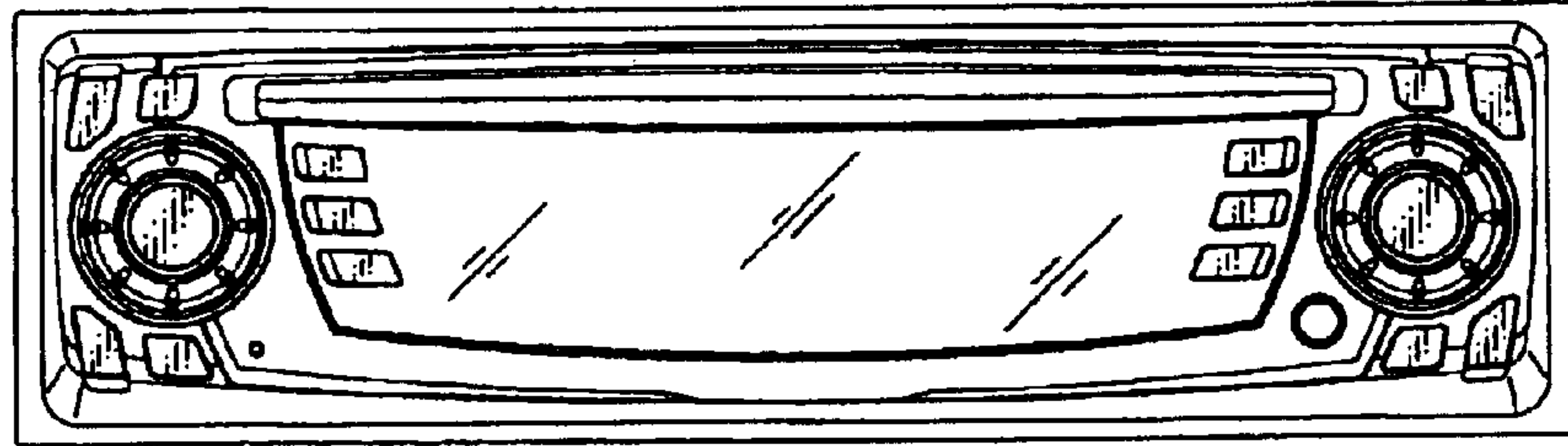


Fig.3



Fig.4

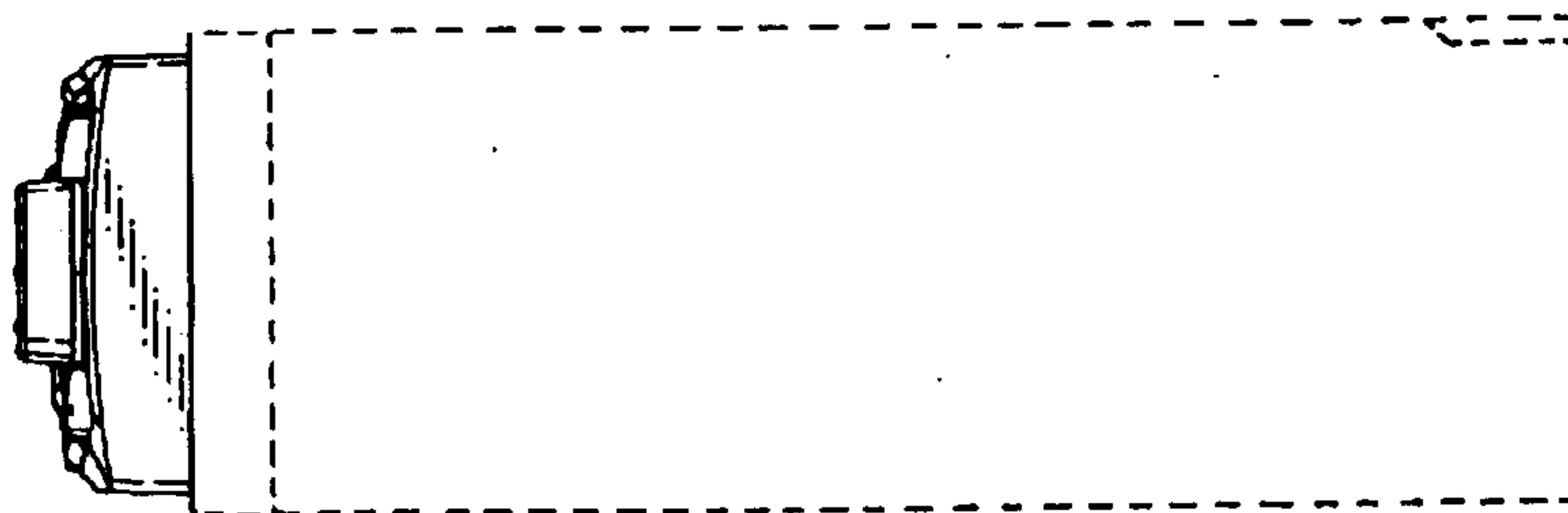


Fig.5

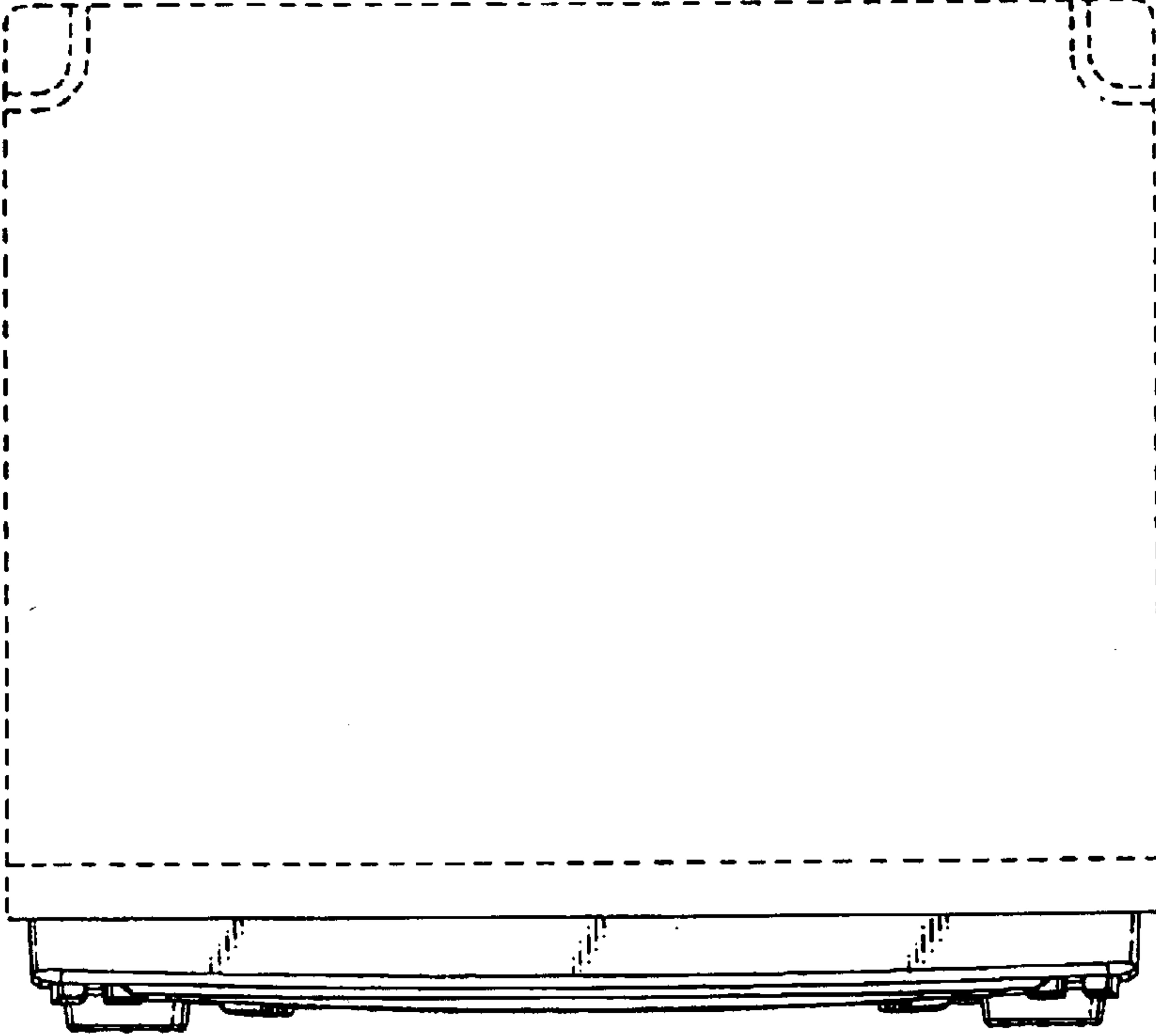
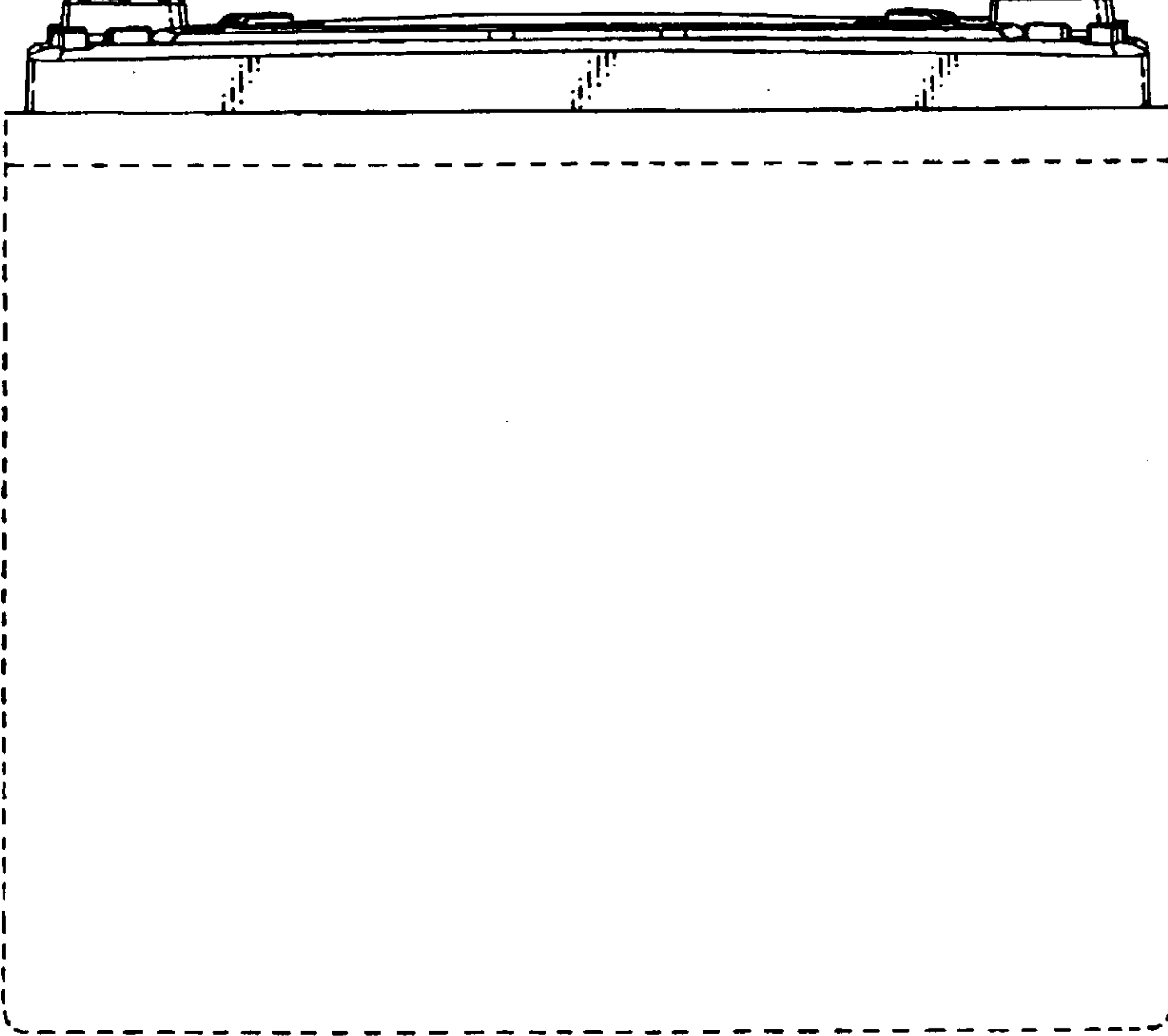


Fig.6



UNITED STATES PATENT AND TRADEMARK OFFICE
CERTIFICATE OF CORRECTION

PATENT NO. : Des. 500,997 S
DATED : January 18, 2005
INVENTOR(S) : Shigeo Nakamura

Page 1 of 1

It is certified that error appears in the above-identified patent and that said Letters Patent is hereby corrected as shown below:

Title page,

Item [56], **References Cited**, OTHER PUBLICATIONS, insert the following:

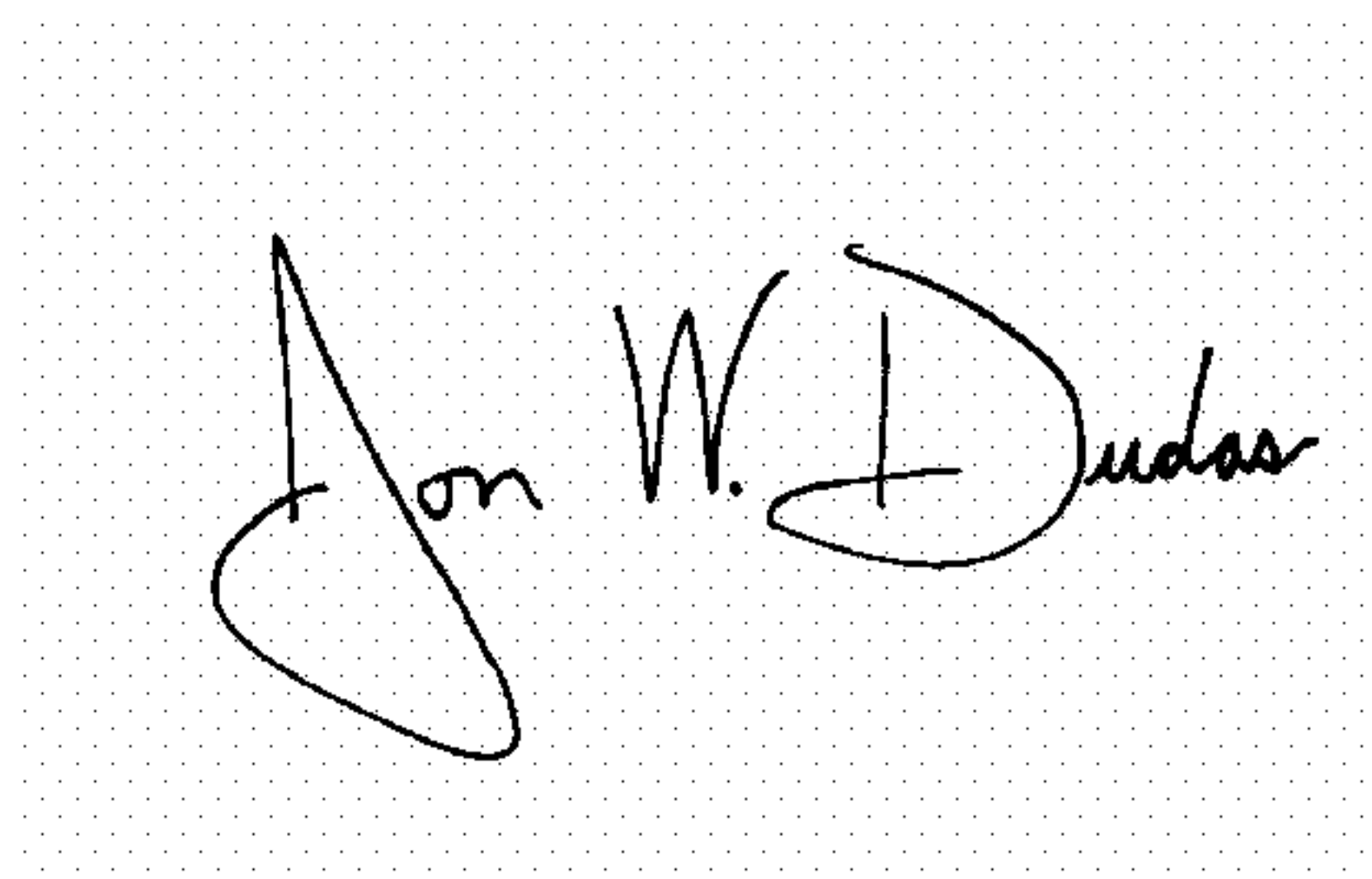
-- Japanese Design Registration No. 1124365; Japanese Design Gazette; Published October 22, 2001

Japanese Design Registration No. 1152956; Japanese Design Gazette; Published September 9, 2002

Japanese Design Registration no. 1184871; Japanese Design Gazette; Published September 16, 2003 --

Signed and Sealed this

Nineteenth Day of April, 2005

A handwritten signature in black ink on a dotted background. The signature reads "Jon W. Dudas" in a cursive style.

JON W. DUDAS

Director of the United States Patent and Trademark Office