



US00D500996S

(12) **United States Design Patent**
Zeitman

(10) **Patent No.:** **US D500,996 S**
(45) **Date of Patent:** **** Jan. 18, 2005**

(54) **TELEPHONE**

(75) Inventor: **Josh Zeitman**, Brooklyn, NY (US)

(73) Assignee: **Lenoxx Electronics Corp.**, Brooklyn, NY (US)

(**) Term: **14 Years**

(21) Appl. No.: **29/197,465**

(22) Filed: **Jan. 16, 2004**

(51) **LOC (7) Cl.** **14-03**

(52) **U.S. Cl.** **D14/151**

(58) **Field of Search** D14/130, 148,
D14/147, 149-151, 143, 329, 330, 140-142,
144, 240, 241, 243, 170, 171, 159; 379/440,
454, 446, 419, 420.01-420.04, 428.01-428.04,
434-436; 320/110, 113-115; 455/550.1-90.3;
D21/517; D13/107, 108

(56) **References Cited**

U.S. PATENT DOCUMENTS

D271,487 S	*	11/1983	Breger	D14/151
D298,239 S	*	10/1988	Hirose et al.	D14/151
D298,831 S	*	12/1988	Hughes et al.	D14/151
4,875,234 A	*	10/1989	Tragatschnig	379/434
D316,857 S	*	5/1991	Park	D14/138
D322,786 S	*	12/1991	Wu	D14/151
D339,132 S	*	9/1993	Roegner	D14/151
D347,633 S	*	6/1994	Keung	D14/151
D349,899 S	*	8/1994	Siddoway et al.	D14/151
D372,028 S	*	7/1996	Mo	D14/151

D375,741 S	*	11/1996	Mo	D14/151
D399,201 S	*	10/1998	Zeitman	D14/151
D414,181 S	*	9/1999	Isonaga	D14/151
D415,153 S	*	10/1999	Fitzgerald	D14/150
D418,834 S	*	1/2000	Zeitman	D14/151
D419,997 S	*	2/2000	Montalbo et al.	D14/149
D421,606 S	*	3/2000	Montalbo et al.	D14/151
D425,060 S	*	5/2000	Haber et al.	D14/151
D426,534 S	*	6/2000	Fitzgerald	D14/150
D427,174 S	*	6/2000	Jauregui et al.	D14/151
D433,399 S	*	11/2000	Seki et al.	D14/151
D438,524 S	*	3/2001	Batson et al.	D14/151
D456,795 S	*	5/2002	Hughes et al.	D14/149
2004/0076290 A1	*	4/2004	Templin et al.	379/454

* cited by examiner

Primary Examiner—Jeffrey Asch

(74) *Attorney, Agent, or Firm*—Burns, Doane, Swecker & Mathis, L.L.P.

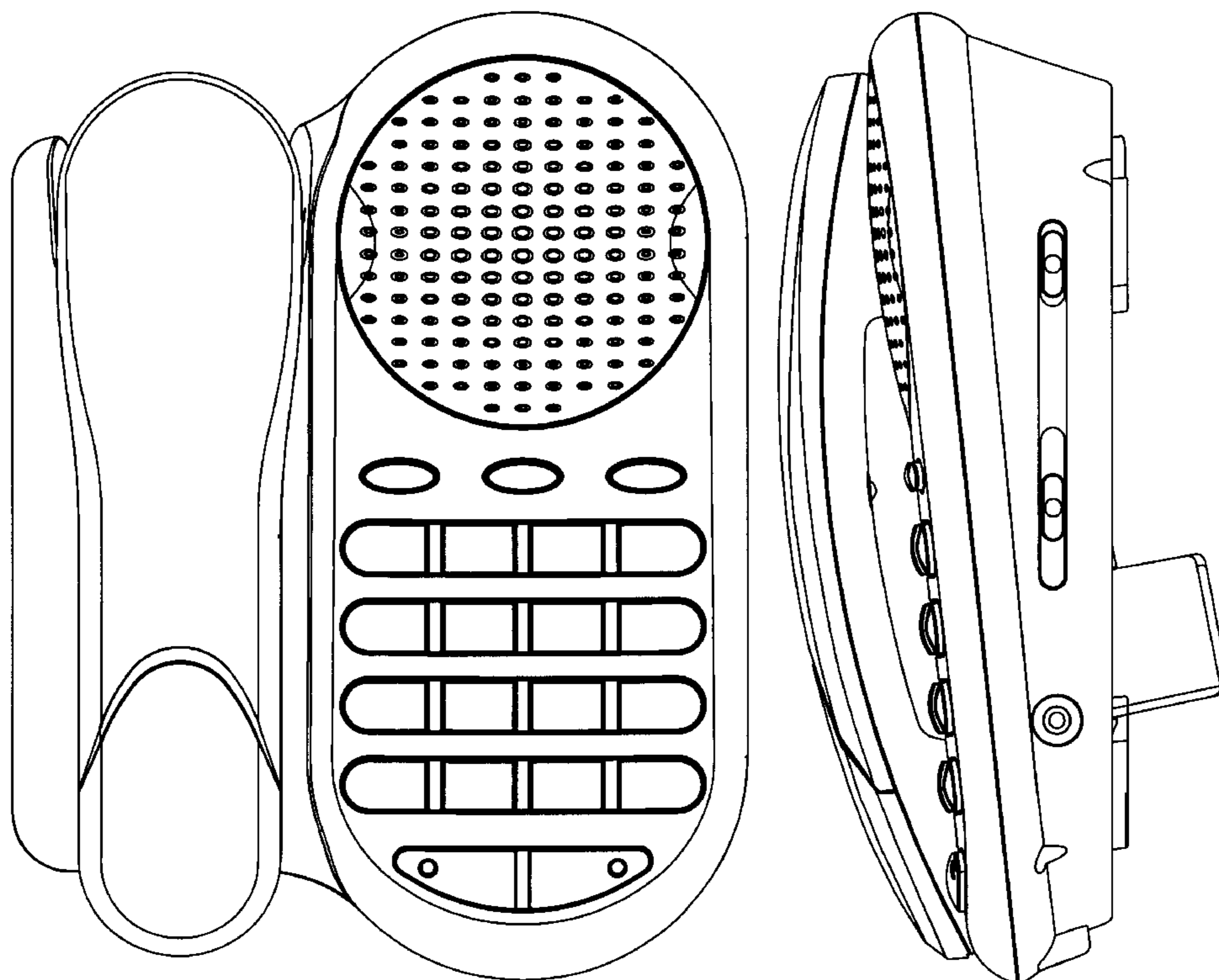
(57) **CLAIM**

The ornamental design for a “telephone”, as shown and described.

DESCRIPTION

FIG. 1 is a top view of a “telephone” showing my design; FIG. 2 is a bottom view thereof; FIG. 3 is a right side view thereof; FIG. 4 is a left side view thereof; FIG. 5 is a rear side view thereof; and, FIG. 6 is a front side view thereof.

1 Claim, 4 Drawing Sheets



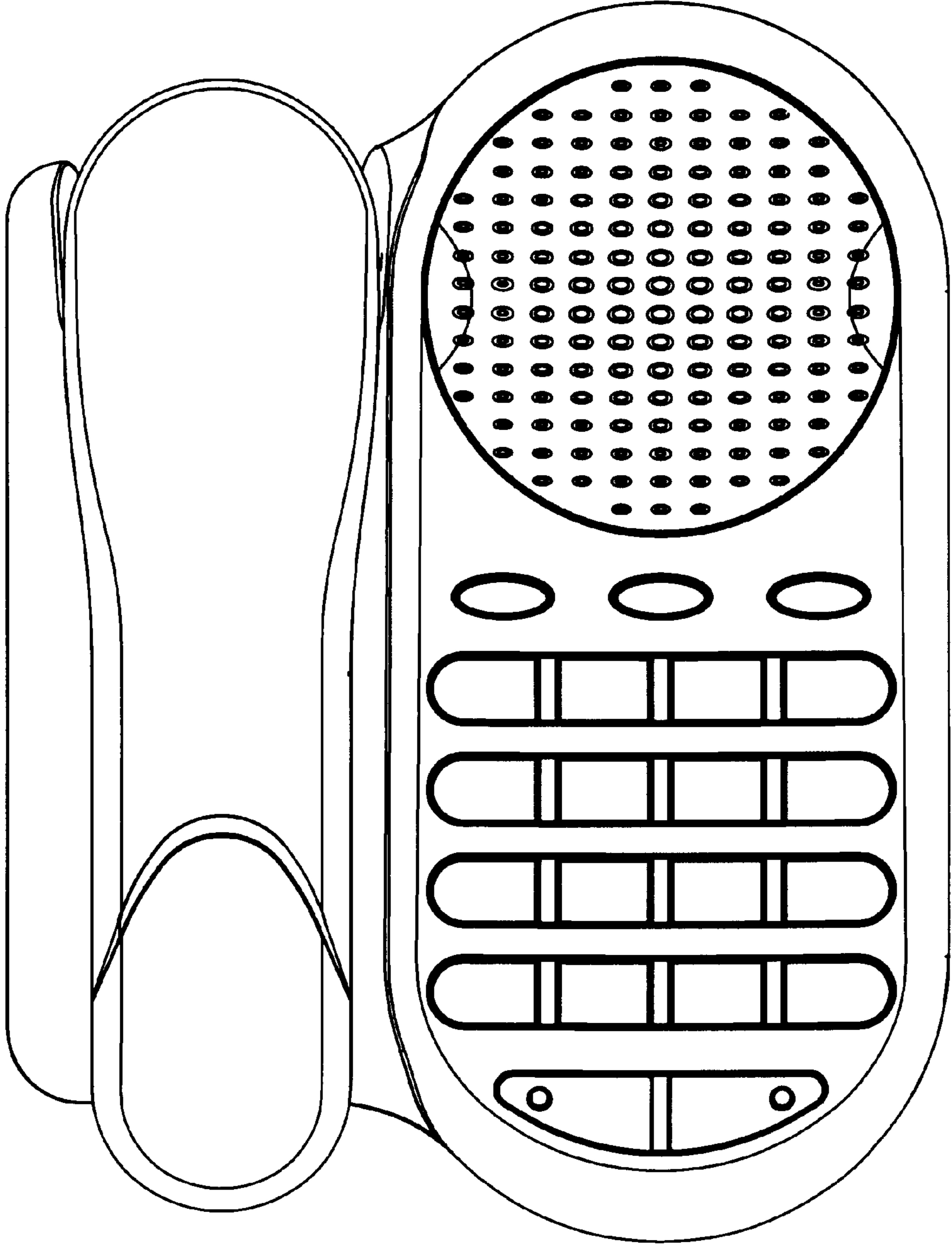


Fig. 1

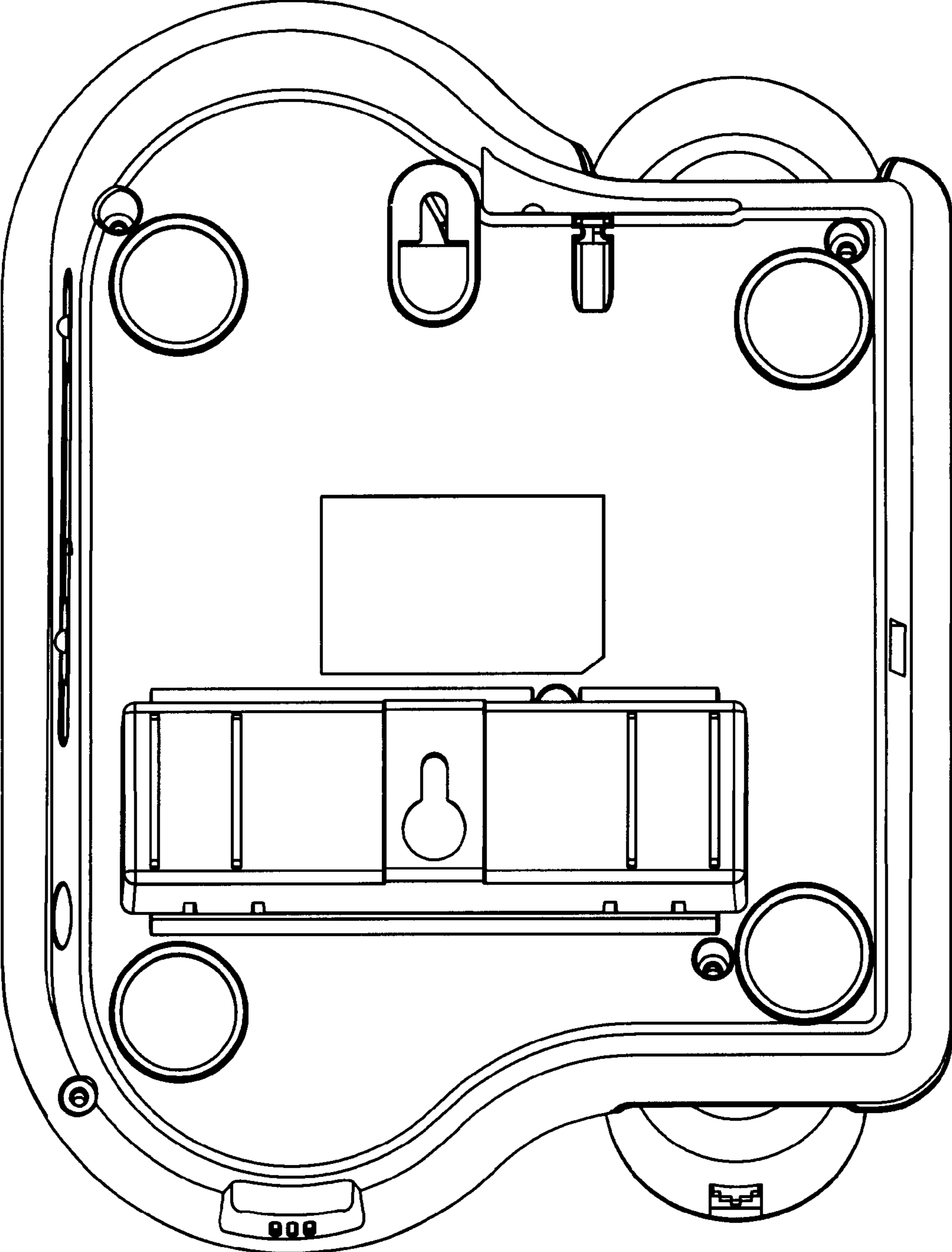


Fig. 2

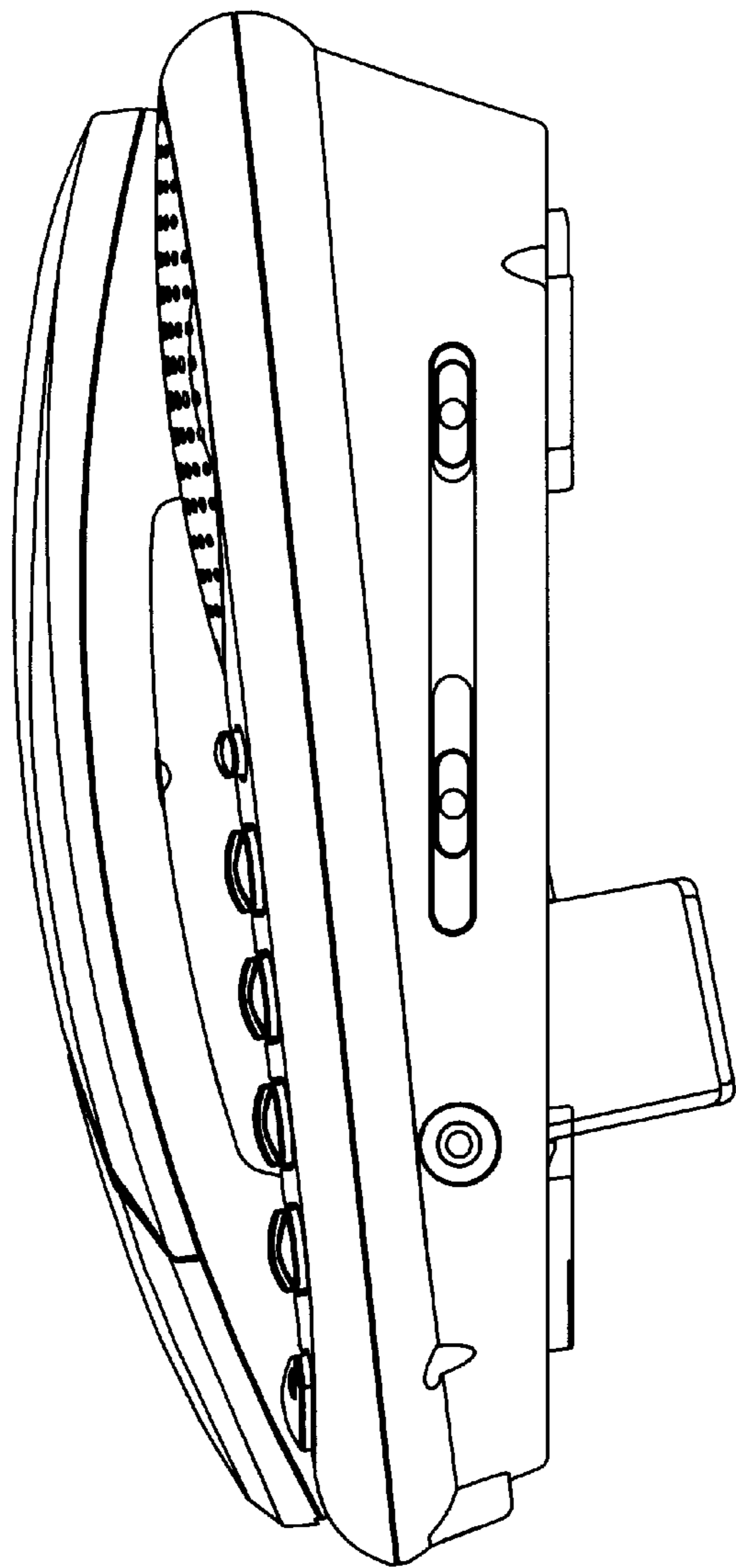


Fig. 3

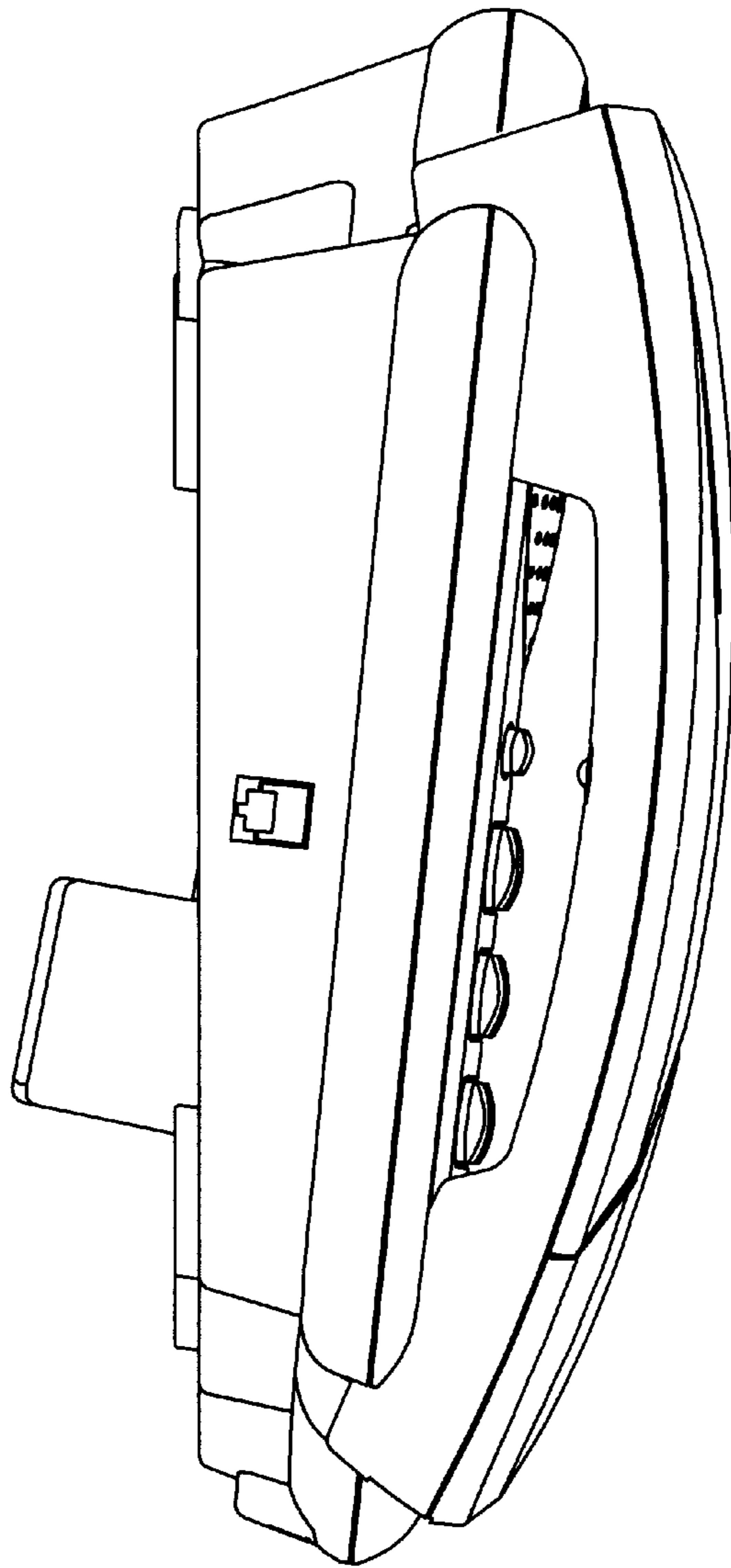


Fig. 4

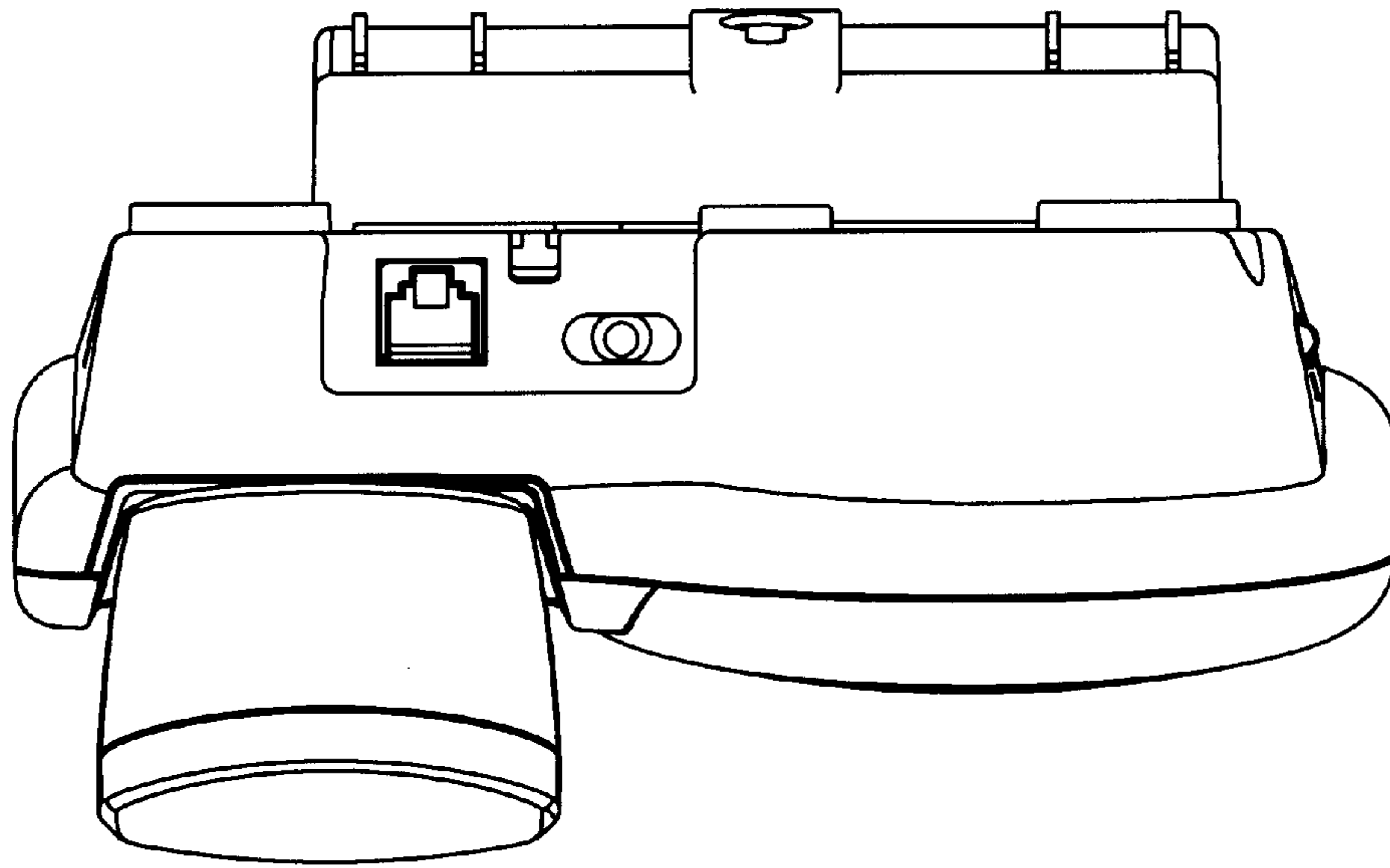


Fig. 5

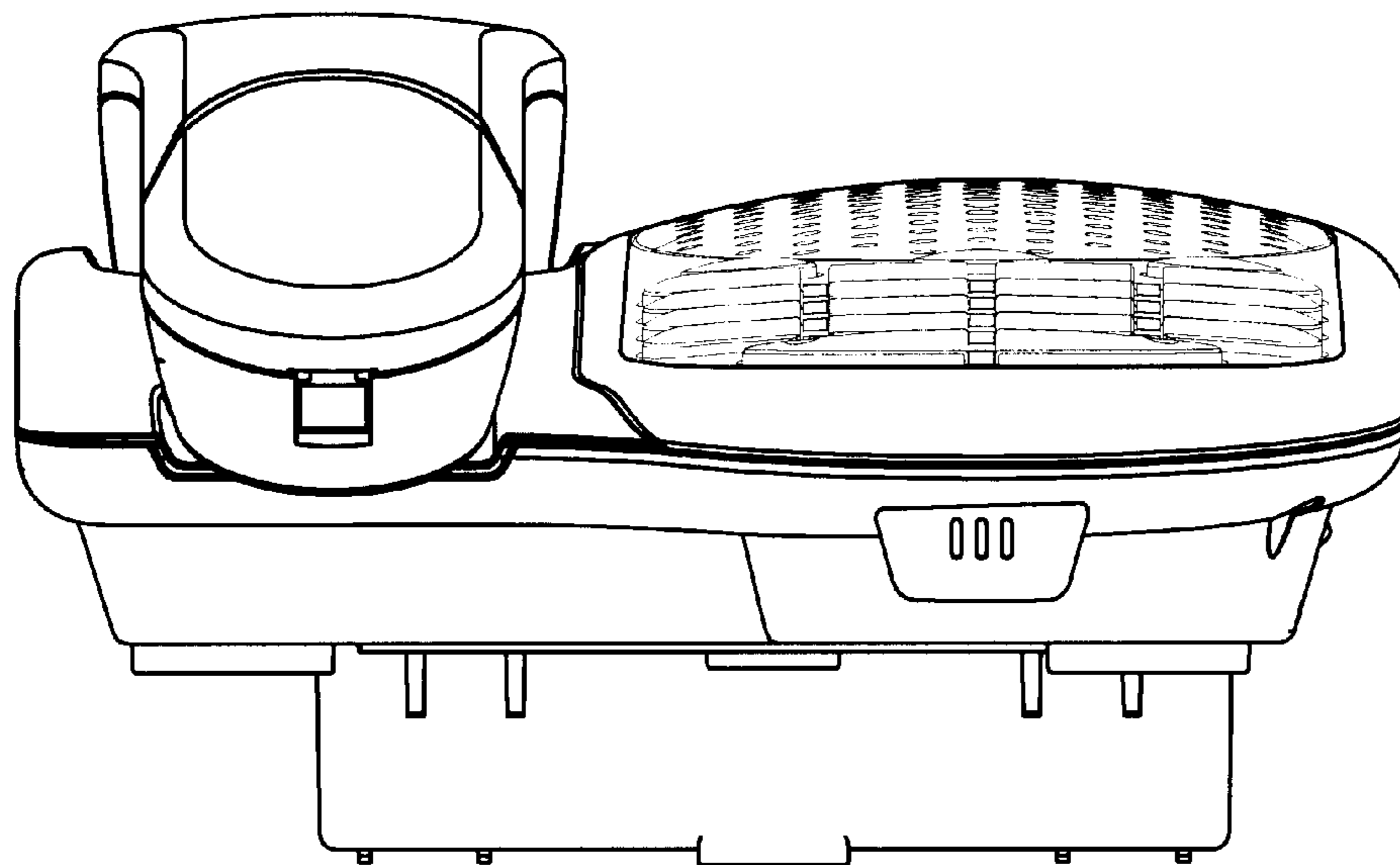


Fig. 6