

US00D500991S

(12) **United States Design Patent**
Niitsu

(10) **Patent No.:** **US D500,991 S**
(45) **Date of Patent:** **** Jan. 18, 2005**

(54) **TELEVISION RECEIVER**

(75) Inventor: **Takuya Niitsu, Tokyo (JP)**
(73) Assignee: **Sony Corporation, Tokyo (JP)**
(**) Term: **14 Years**

(21) Appl. No.: **29/187,505**
(22) Filed: **Aug. 4, 2003**

(51) **LOC (7) Cl.** **14-03**
(52) **U.S. Cl.** **D14/126**
(58) **Field of Search** D14/125-134,
D14/239, 371, 374-376; 312/7.2; 348/836,
838, 180, 184, 325, 739; 341/12; 248/917-924;
345/104, 133, 156, 168, 87, 173

(56) **References Cited**

U.S. PATENT DOCUMENTS

D458,238 S	*	6/2002	Niitsu	D14/126
D460,056 S	*	7/2002	Niitsu	D14/126
D460,425 S	*	7/2002	Joe	D14/126
D475,356 S	*	6/2003	Niitsu	D14/126
D489,340 S	*	5/2004	Honda	D14/126
D494,941 S	*	8/2004	Kim	D14/126

OTHER PUBLICATIONS

Catalog "WEGA" 3 sheets, Sony (Nov. 2002).
Web page "Pioneer Hi-vision Plasma TV" http://www.pioneer.co.jp/pdp/lineup/li_top.html, 1 sheet, Pioneer Corporation (May 2003).

* cited by examiner

Primary Examiner—Raphael Barkai
(74) *Attorney, Agent, or Firm*—Rader, Fishman & Grauer PLLC

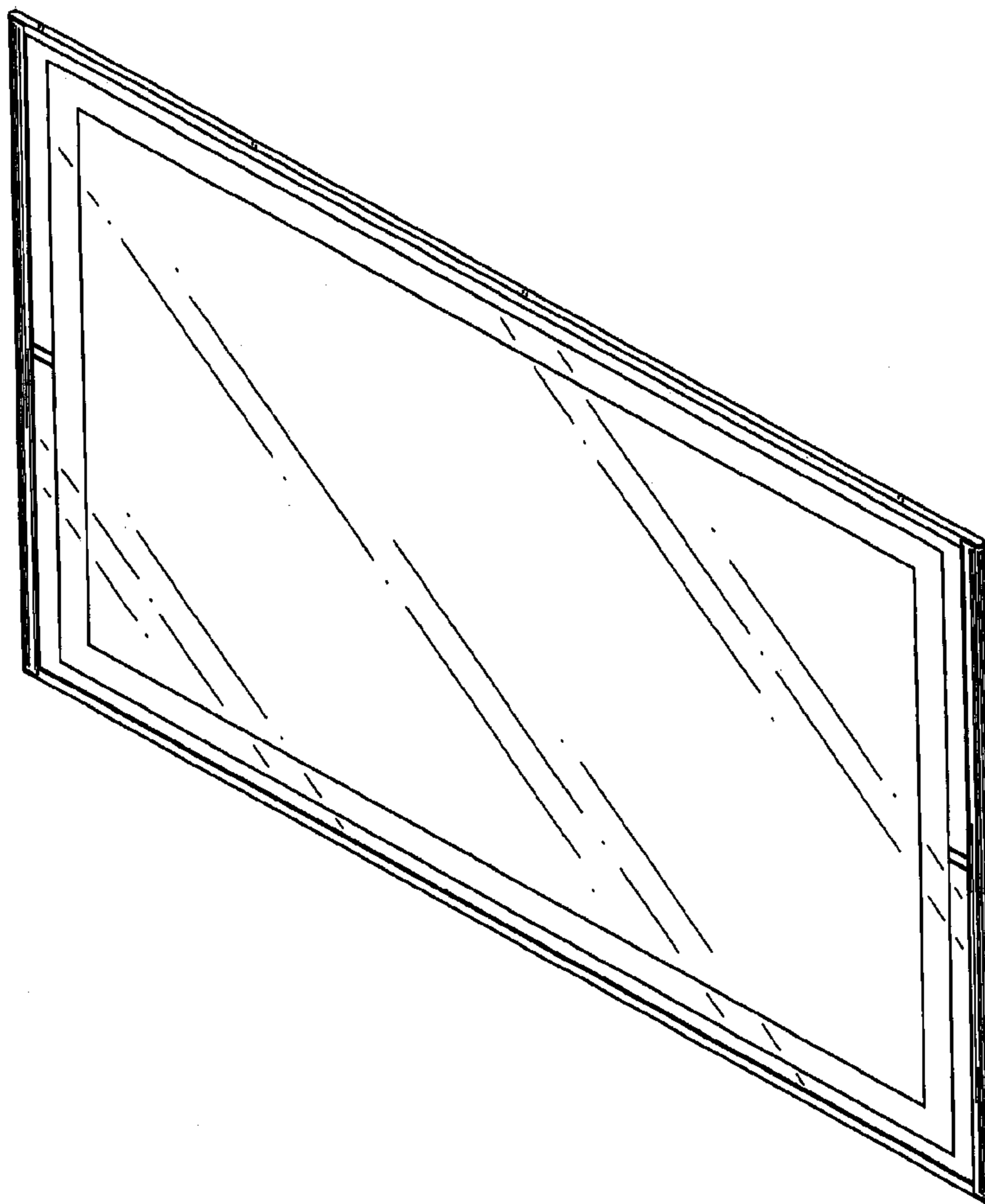
(57) **CLAIM**

The ornamental design for a television receiver, as shown.

DESCRIPTION

FIG. 1 is a perspective view of a television receiver showing my new design;
FIG. 2 is a front elevational view thereof;
FIG. 3 is a rear elevational view thereof;
FIG. 4 is a left side elevational view thereof;
FIG. 5 is a right side elevational view thereof;
FIG. 6 is a top plan view thereof; and,
FIG. 7 is a bottom plan view thereof.

1 Claim, 4 Drawing Sheets



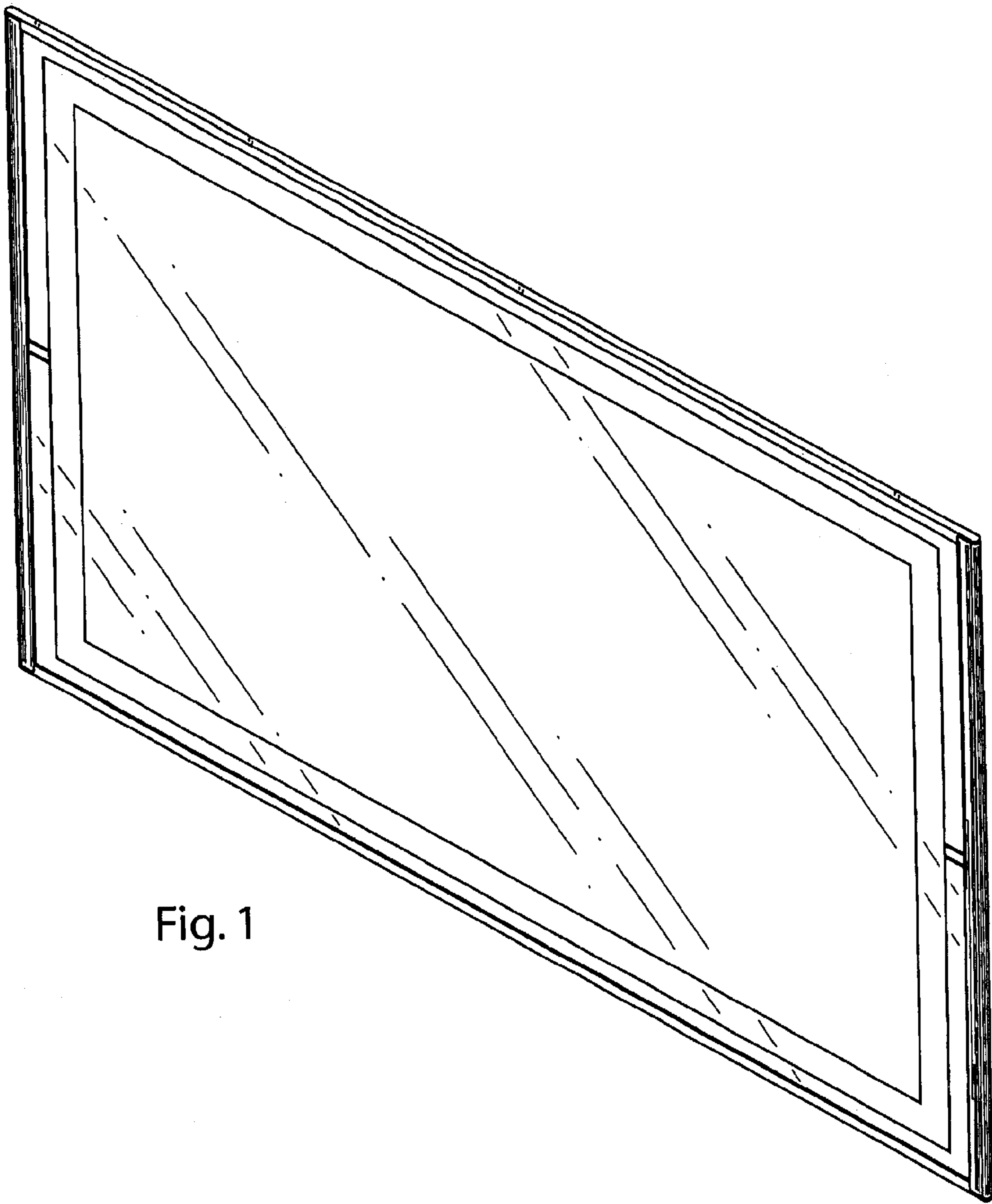


Fig. 1

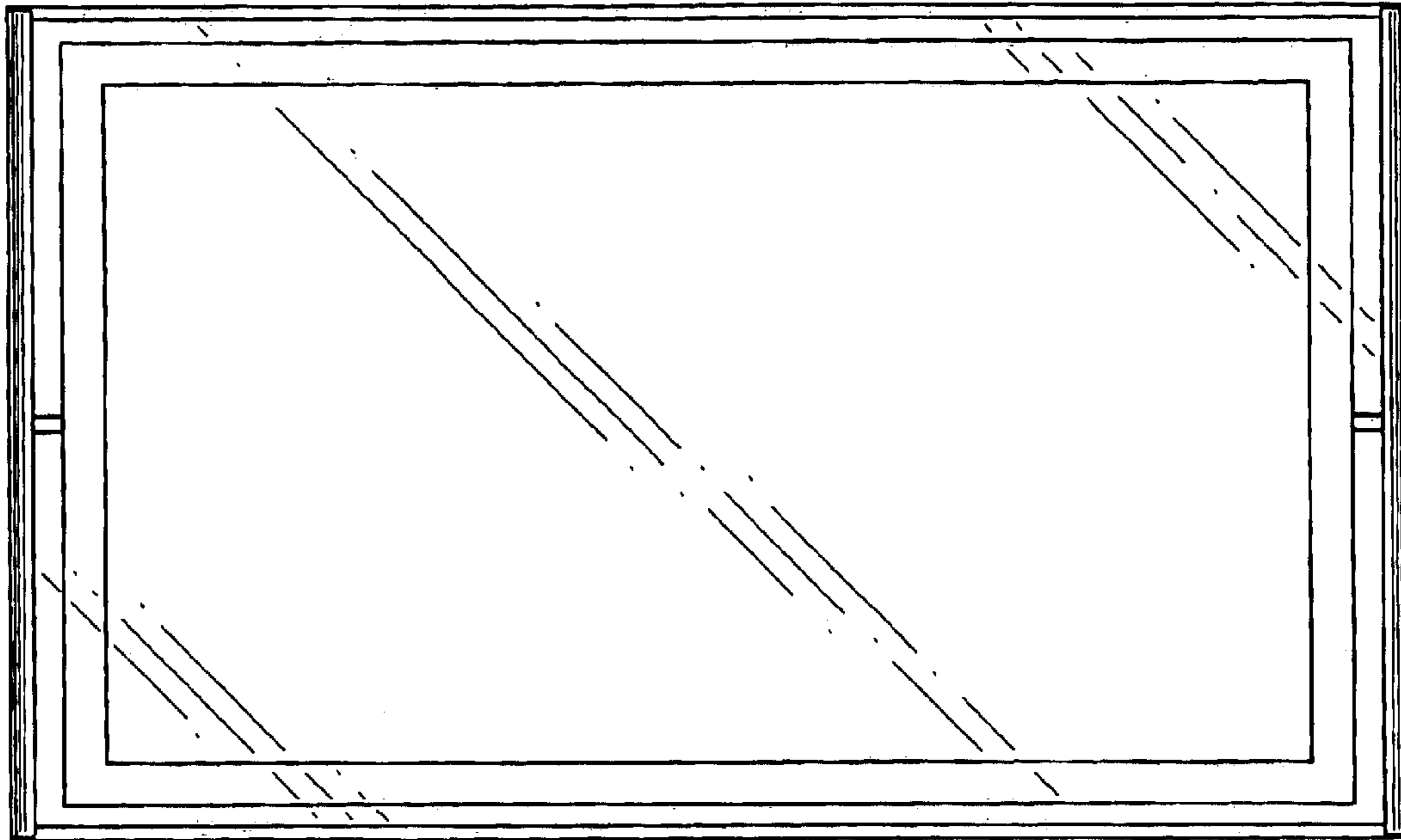


Fig. 2

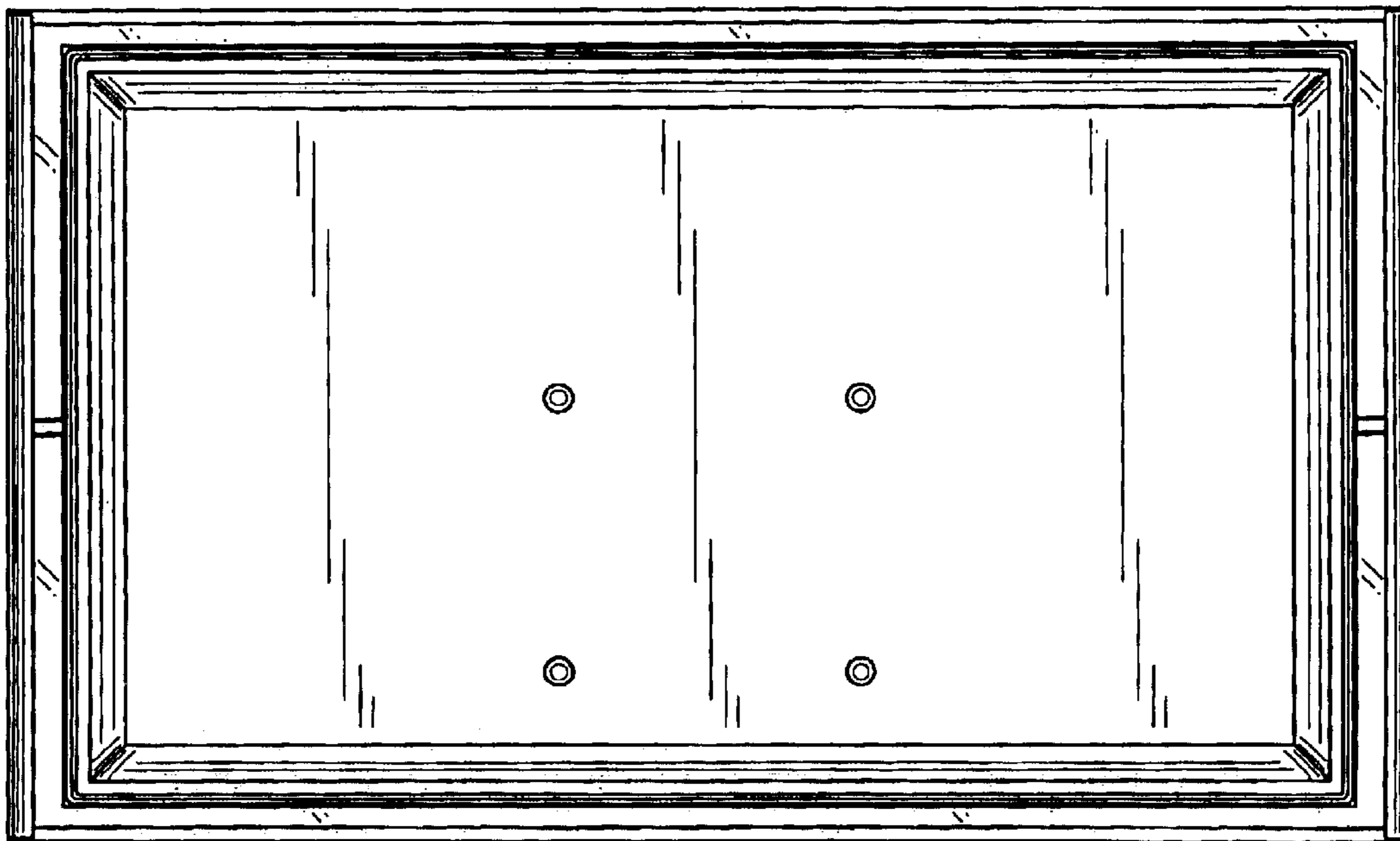


Fig. 3

Fig. 4



Fig. 5



Fig. 6

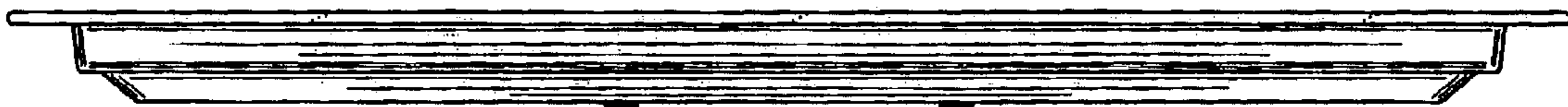
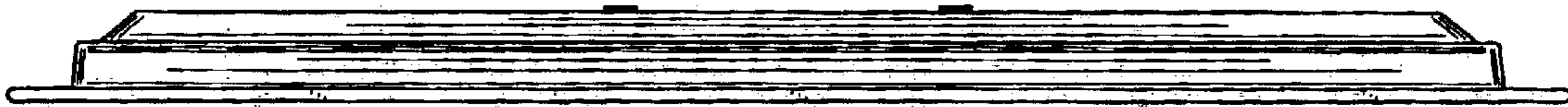


Fig. 7