

US00D500990S

(12) **United States Design Patent**
Gorman

(10) **Patent No.: US D500,990 S**
(45) **Date of Patent: ** Jan. 18, 2005**

(54) **ELECTRICAL SWITCH**

(75) Inventor: **Michael P. Gorman**, Laguna Niguel,
CA (US)

(73) Assignee: **ProtectConnect**, Newport Beach, CA
(US)

(**) Term: **14 Years**

(21) Appl. No.: **29/194,193**

(22) Filed: **Nov. 19, 2003**

Related U.S. Application Data

(63) Continuation of application No. 10/443,444, filed on May
22, 2003.

(51) **LOC (7) Cl.** **13-03**

(52) **U.S. Cl.** **D13/174**

(58) **Field of Search** D13/169, 170,
D13/171, 174; 174/57.66; 200/303, 310,
313-315, 330, 331; 307/141, 151; 337/66,
74; 338/62, 152, 163, 184, 200, 226; 361/600,
627

(56) **References Cited**

U.S. PATENT DOCUMENTS

4,105,884 A * 8/1978 Damsky 200/331

4,427,864 A * 1/1984 Oster 200/330
4,914,265 A * 4/1990 Mongeau 200/330
D308,045 S * 5/1990 Counts et al. D13/170
4,972,045 A * 11/1990 Primeau 174/66
D316,250 S * 4/1991 Mongeau D13/170
D384,643 S * 10/1997 Nierlich et al. D13/147
D415,472 S * 10/1999 Kelso et al. D13/170
5,998,747 A * 12/1999 Kelso et al. 200/331

* cited by examiner

Primary Examiner—Nanda Bondade

Assistant Examiner—Selina Sikder

(74) *Attorney, Agent, or Firm*—Glenn R. Smith

(57) **CLAIM**

The ornamental design for an electrical switch, as shown and
described.

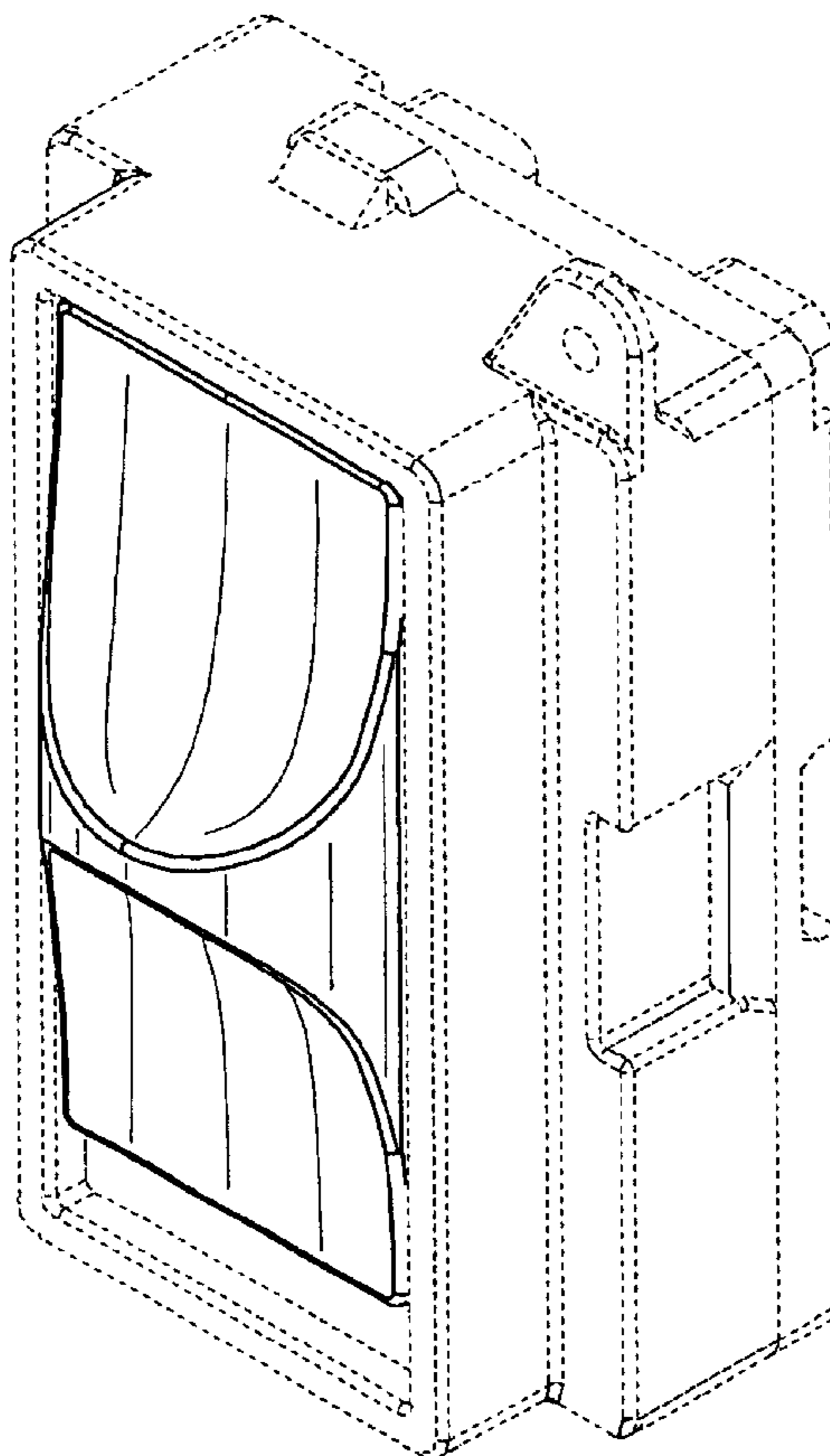
DESCRIPTION

FIG. 1 is a front perspective view of an electrical switch
incorporating my new design, it being understood that the
broken lines shown are for illustrative purposes only and
form no part of the claimed design;

FIG. 2 is an exploded, front perspective view of an electrical
switch; and,

FIG. 3 is a rear perspective view of an electrical switch.

1 Claim, 3 Drawing Sheets



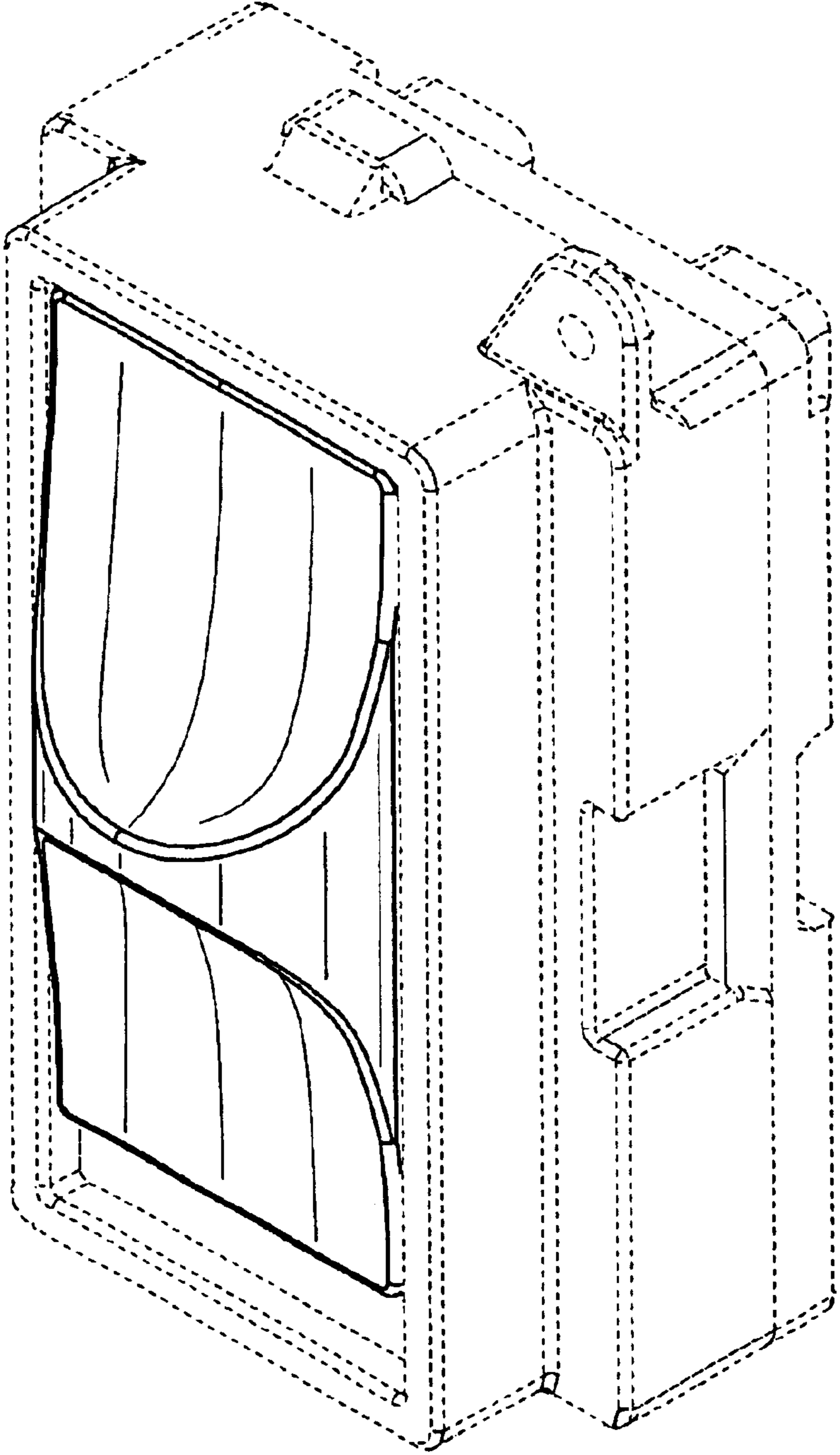


FIG. 1

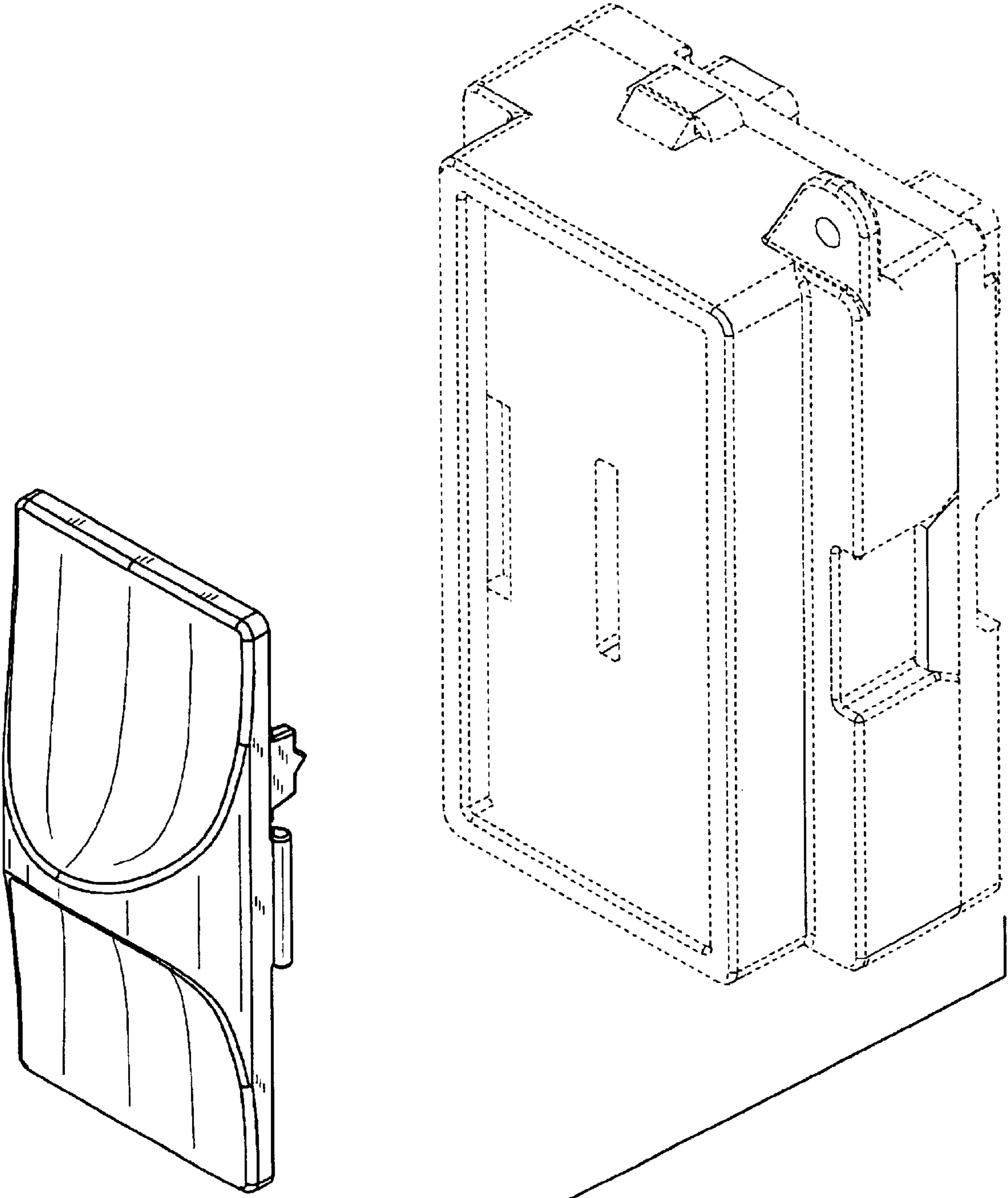


FIG. 2

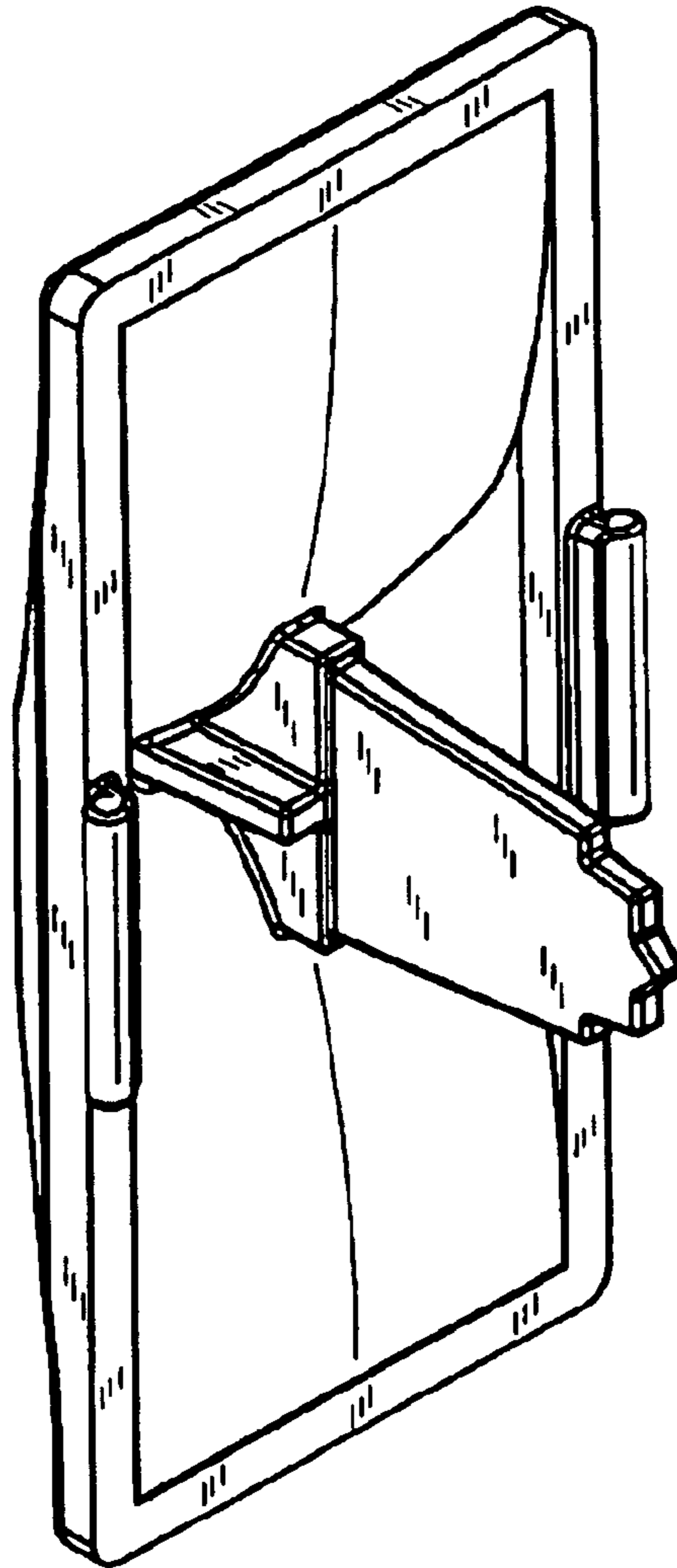


FIG. 3