

US00D500988S

(12) **United States Design Patent** (10) **Patent No.:** **US D500,988 S**
Moriwake et al. (45) **Date of Patent:** **** Jan. 18, 2005**

(54) **ELECTRICAL CONNECTOR**

- (75) Inventors: **Ryo Moriwake**, Izumiotsu (JP); **Takashi Tsutsui**, Nissin (JP)
- (73) Assignee: **J.S.T. Mfg. Co., Ltd.**, Osaka (JP)
- (**) Term: **14 Years**
- (21) Appl. No.: **29/205,627**
- (22) Filed: **May 17, 2004**

Related U.S. Application Data

- (62) Division of application No. 29/163,078, filed on Jun. 25, 2002, now Pat. No. Des. 491,892.

(30) **Foreign Application Priority Data**

Jan. 8, 2002	(JP)	2002-119
Jan. 8, 2002	(JP)	2002-120
Jan. 8, 2002	(JP)	2002-121
Jan. 8, 2002	(JP)	2002-118

(51) **LOC (7) Cl.** **13-03**

(52) **U.S. Cl.** **D13/147**

(58) **Field of Search** D13/146, 147;
439/63, 78, 79, 108, 188, 540.1, 540.5,
544, 553, 557, 607-610, 638, 620, 676,
717, 677-681

(56) **References Cited**

U.S. PATENT DOCUMENTS

D410,227 S	*	5/1999	Wu et al.	D13/147
D410,434 S	*	6/1999	Wu	D13/147
5,961,350 A		10/1999	Shiu		

(List continued on next page.)

FOREIGN PATENT DOCUMENTS

JP	1043101	7/1999
TW	308519	6/1997
TW	320544	11/1997
TW	407952	10/2000
TW	412393	11/2000
TW	467683	12/2001

OTHER PUBLICATIONS

Conicon, Chu Yuen Enterprise Co., Ltd.; Taipei, Taiwan; 3 pages; Japanese Patent Office public known material No. HD12005786, received Dec. 3, 1999.

Compaq, Hewlett-Packard, Intel et al.; Universal Serial Bus Specification 8 Rev. 2.0; Apr. 27, 2000; Chapter 6, pp. 85 to 117.

Design of USB Connector, AMPNEWS No. 154, 1997-11; Denpa Shinbun 9.12.20P5; Jun. 10, 1998; p. 5; Japanese Patent Office, Design Department, Public Known Material No. HN10011416.

Fujitsu Takamisawa Component, Standard Interface Connector Series; Nikkan Industrial Newspaper 8.4.22P13; Oct. 31, 1996; p. 50; Japanese Patent Office, Design Department, Public Known Material No. HN09002518.

Primary Examiner—Stella Reid

Assistant Examiner—Selina Sikder

(74) *Attorney, Agent, or Firm*—W. F. Fasse; W. G. Fasse

(57) **CLAIM**

The ornamental design for an electrical connector, as shown and described.

DESCRIPTION

FIG. 1 is a front elevation view of an electrical connector showing our new design;

FIG. 2 is a rear elevation view of the electrical connector;

FIG. 3 is a top plan view of the electrical connector;

FIG. 4 is a bottom plan view of the electrical connector;

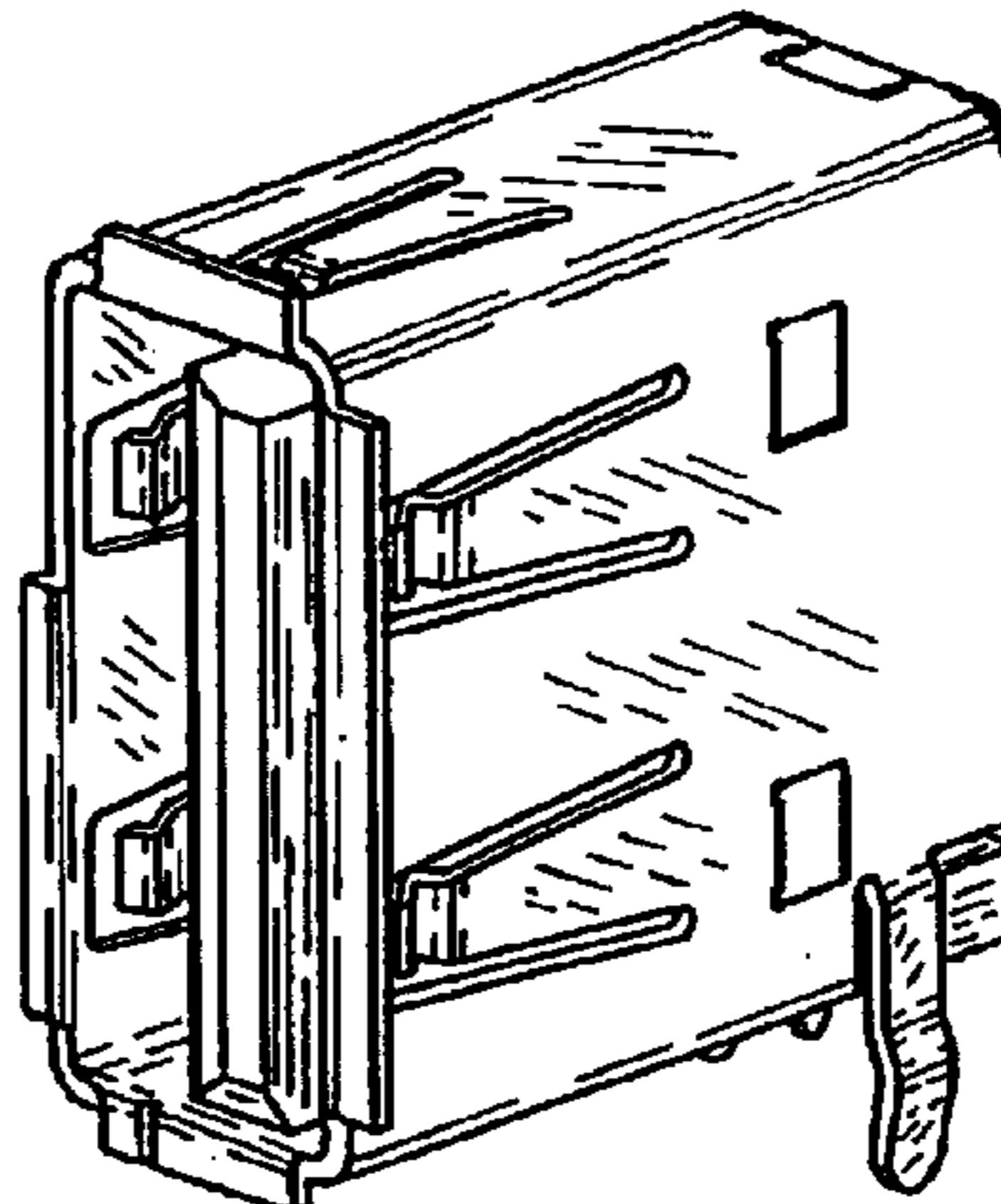
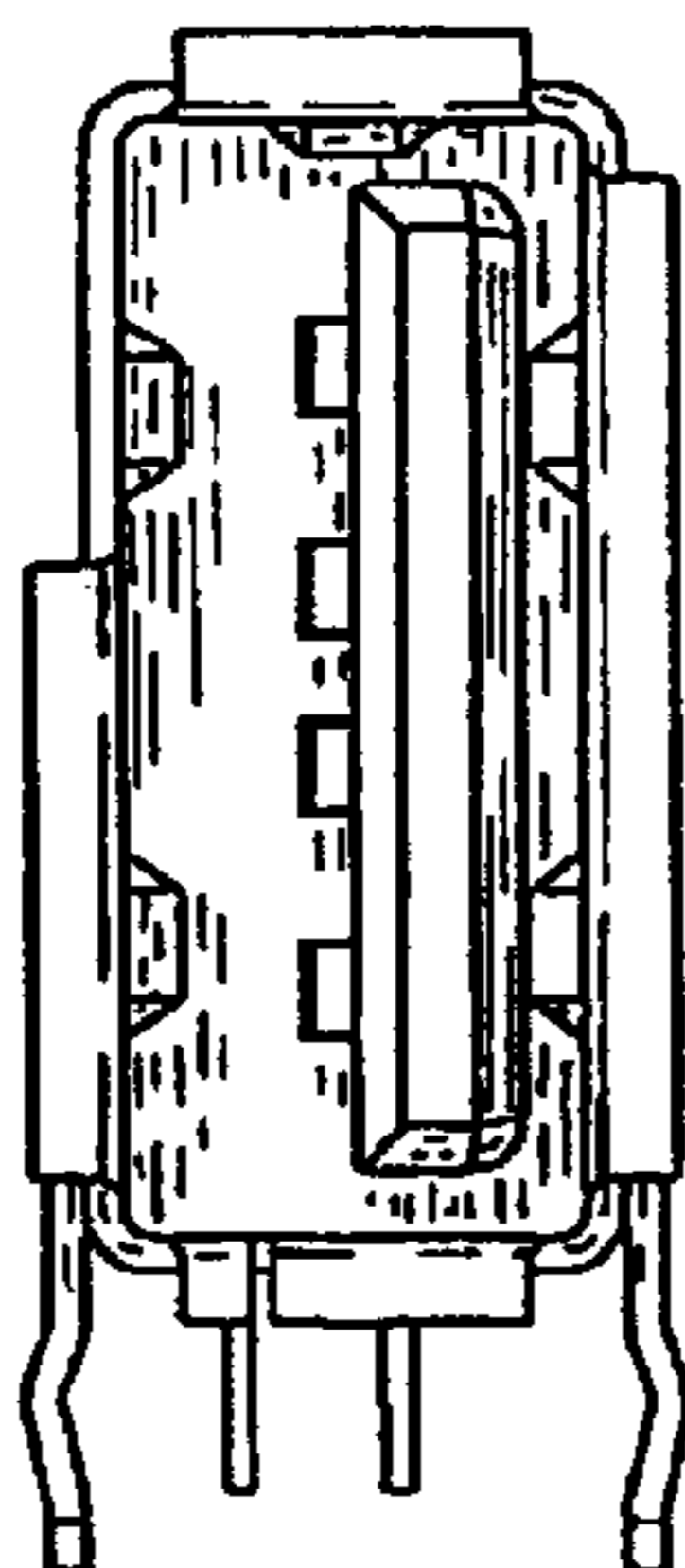
FIG. 5 is a left side elevation view of the electrical connector;

FIG. 6 is a right side elevation view of the electrical connector;

FIG. 7 is a perspective view of the front, top and right side of the electrical connector; and,

FIG. 8 is a reduced top plan view of the electrical connector in a connecting condition. A printed circuit board and a counterpart electrical connector are drawn in broken lines for illustrative purposes only and form no part of the claimed design.

1 Claim, 4 Drawing Sheets



US D500,988 S

Page 2

U.S. PATENT DOCUMENTS

6,135,790	A	*	10/2000	Huang et al.	439/79		
6,186,830	B1	*	2/2001	Lin et al.	439/607		
6,203,373	B1		3/2001	Lin			
D446,772	S	*	8/2001	Chen et al.	D13/147		
D447,466	S	*	9/2001	Chen et al.	D13/147		
D465,765	S		11/2002	Zhang et al.			
D465,769	S		11/2002	Zhang et al.			
D466,084	S		11/2002	Zhang et al.			
6,475,033	B1		11/2002	Zhu et al.			
D473,193	S		4/2003	Yang et al.			
6,554,648	B2	*	4/2003	Shi et al.	439/607		
D478,050	S		8/2003	Nishio et al.			
D491,892	S	*	6/2004	Moriwake et al.	D13/147		

* cited by examiner

FIG. 1

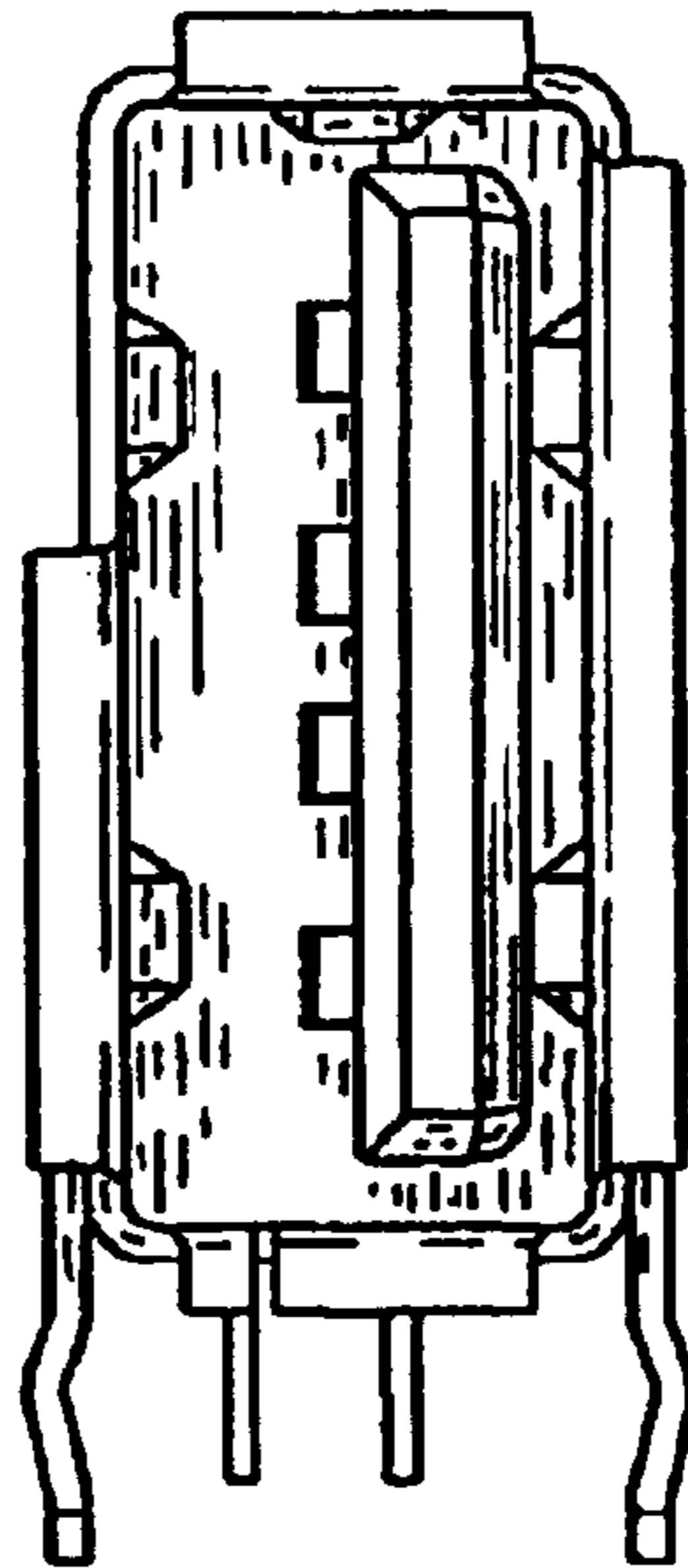


FIG. 2

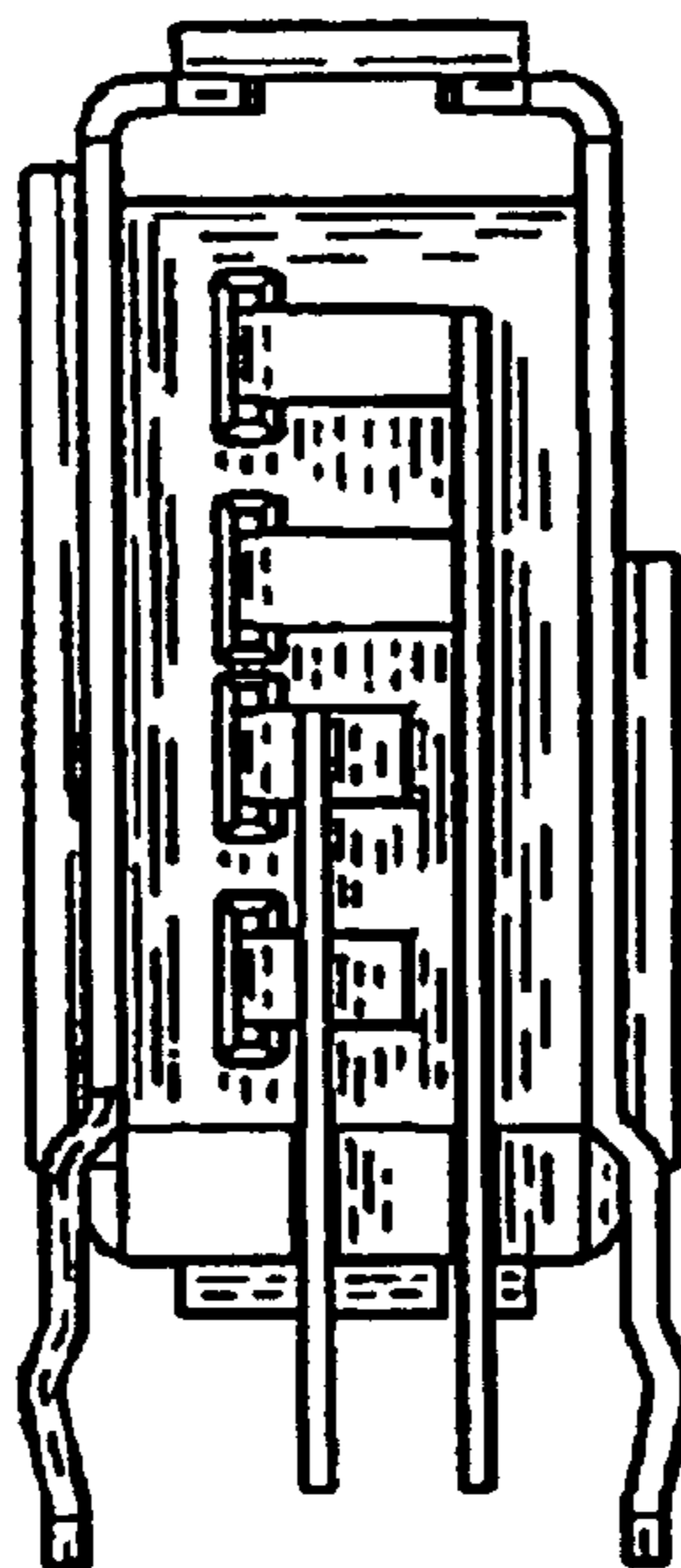


FIG. 3

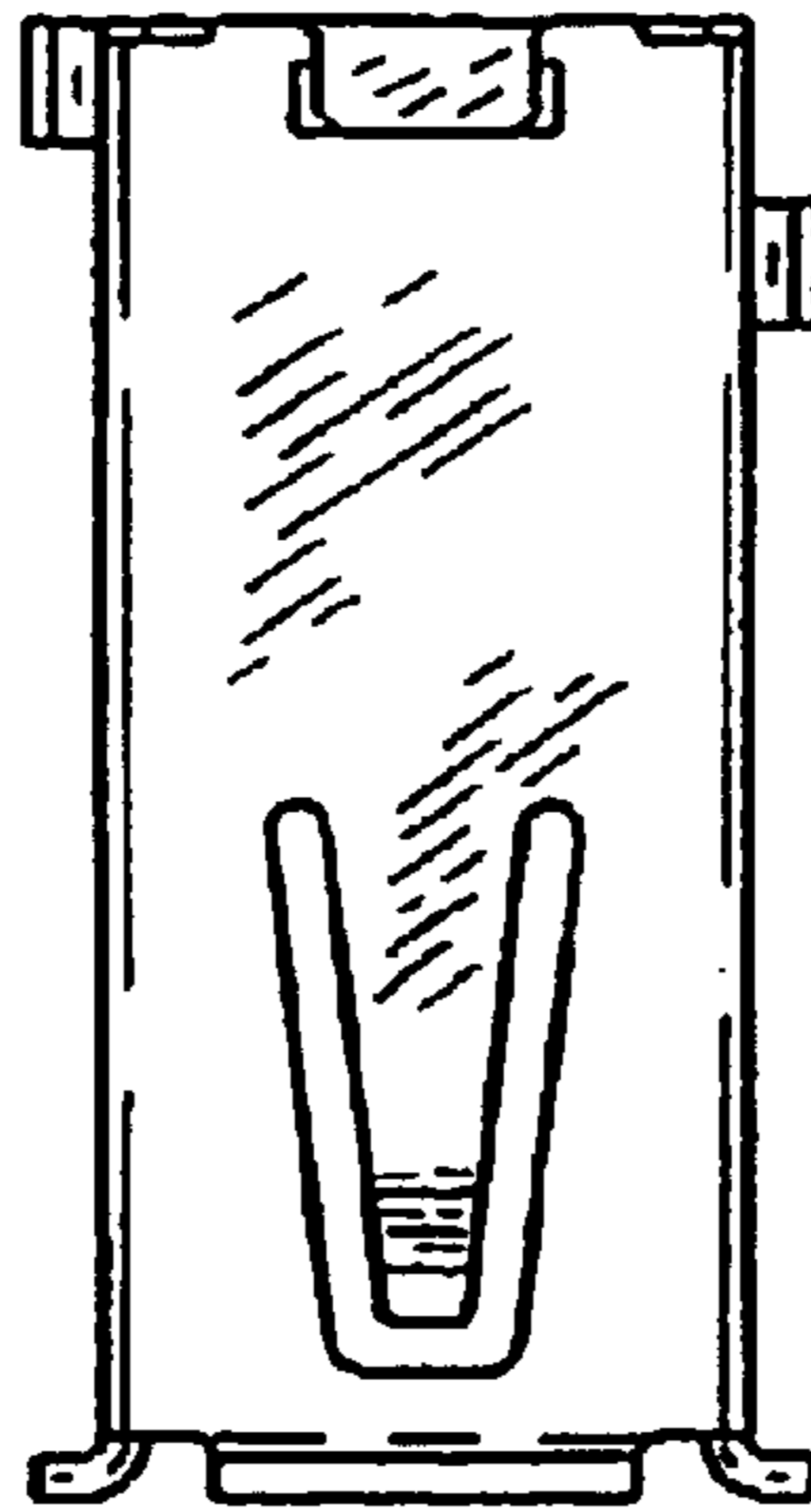


FIG. 4

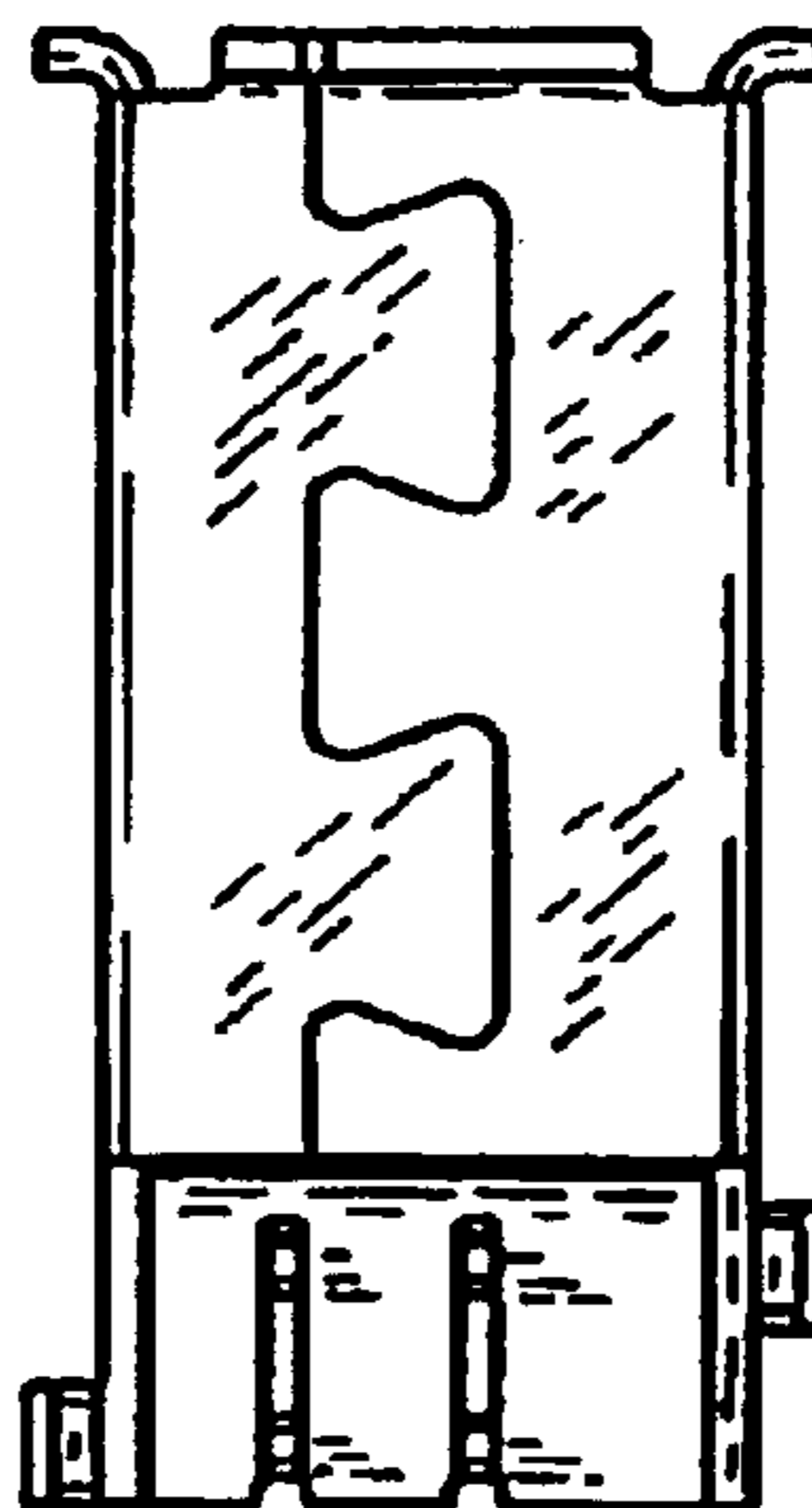


FIG. 5

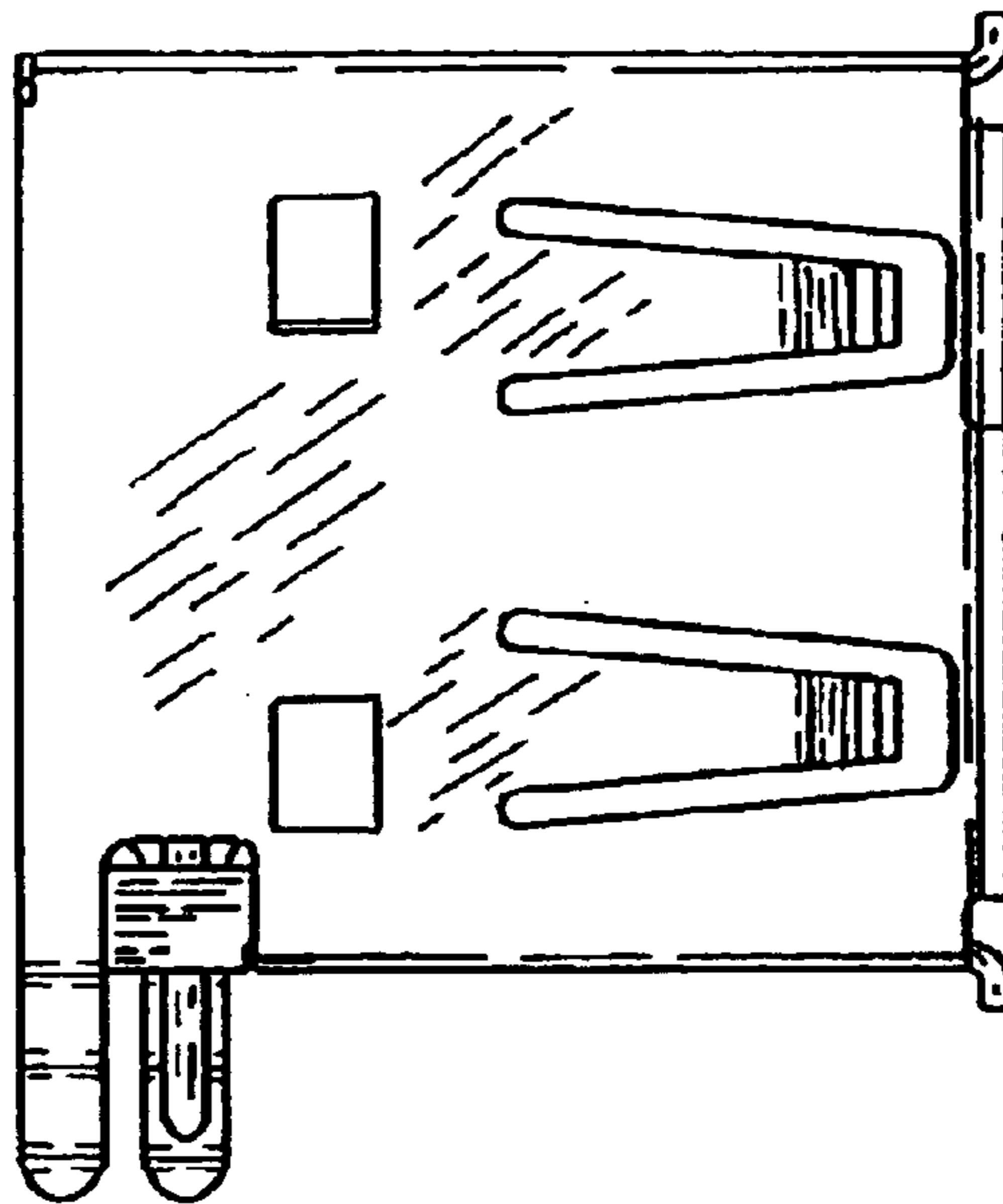


FIG. 6

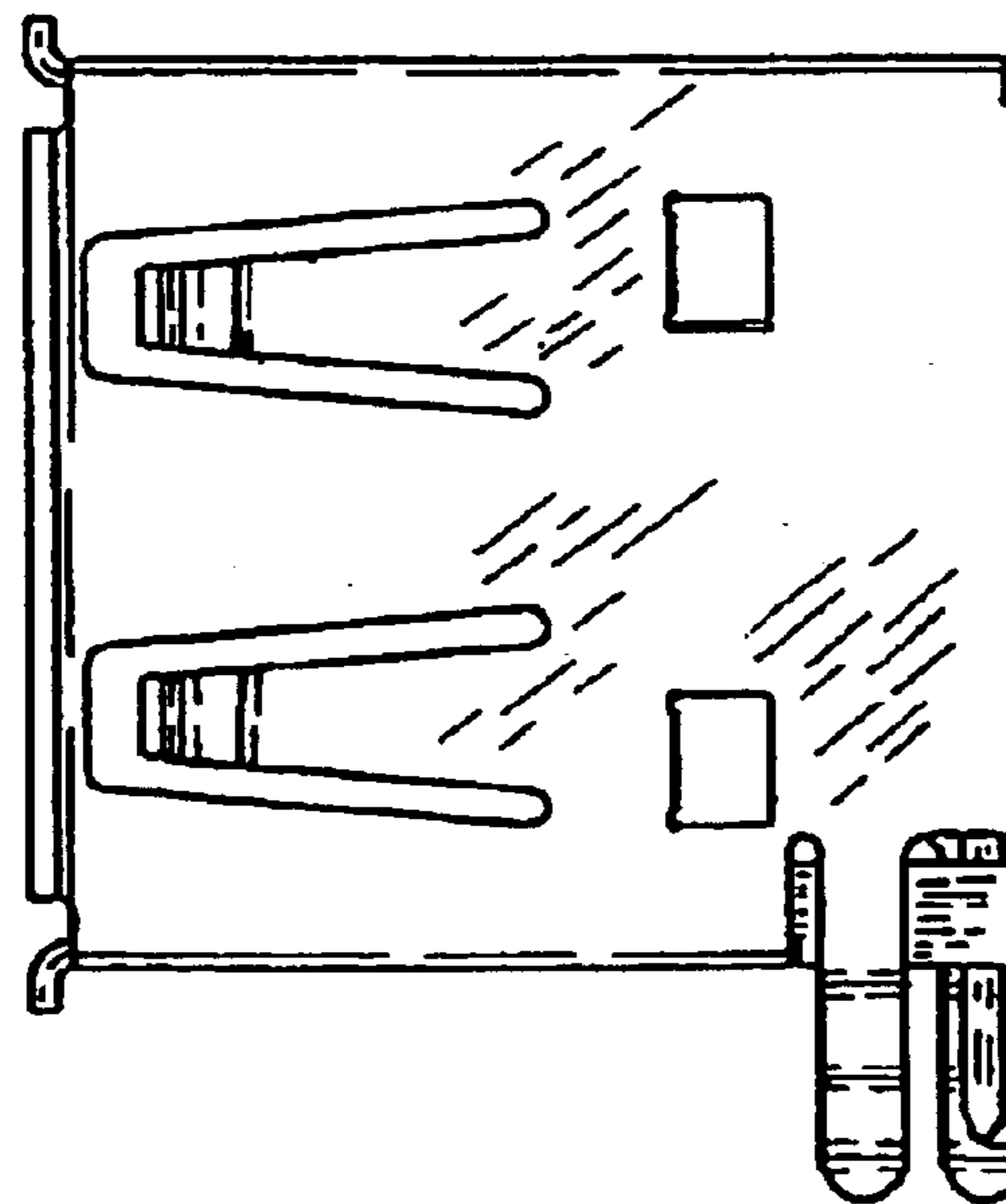


FIG. 7

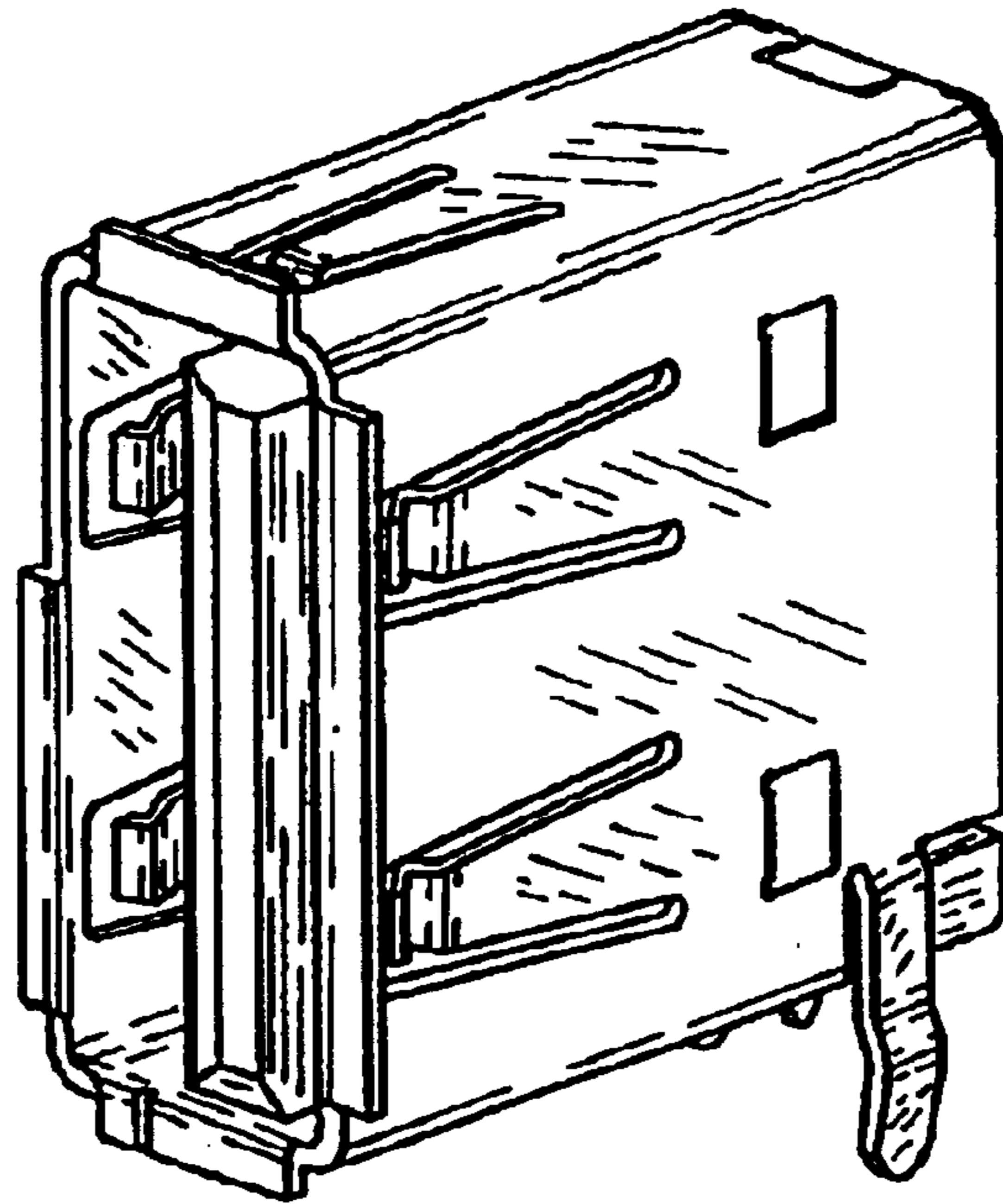
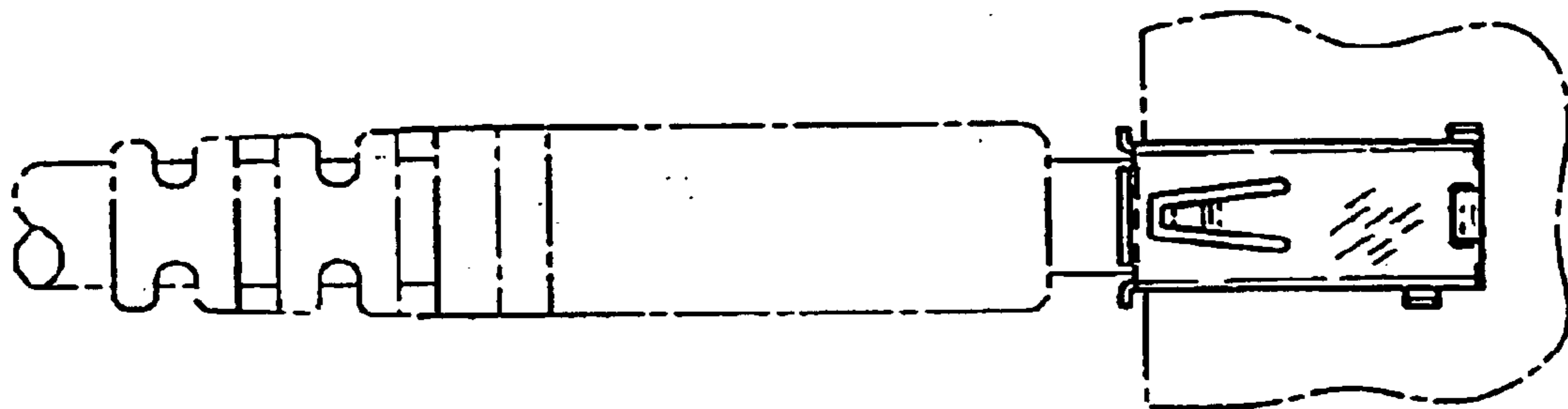


FIG. 8



UNITED STATES PATENT AND TRADEMARK OFFICE
CERTIFICATE OF CORRECTION

PATENT NO. : Des. 500,988 S
APPLICATION NO. : 29/205627
DATED : January 18, 2005
INVENTOR(S) : Moriwake et al.

Page 1 of 1

It is certified that error appears in the above-identified patent and that said Letters Patent is hereby corrected as shown below:

On the TITLE PAGE, Item (56) "References Cited"

Under "OTHER PUBLICATIONS", add the following:

--Taiwanese Magazine "TEEMADATA 108", published by Excel Cell Electronic Co.; Ltd. Taiwan on December 1, 1999 (2 pages & copy of enlarged photo)

Magazine "MBC" Merchandising & Buying Cable & Connector Products, published March 2000, (2 pages and copy of enlarged photo). --.

Signed and Sealed this

Twenty-eighth Day of August, 2007

A handwritten signature in black ink on a light gray dotted background. The signature reads "Jon W. Dudas" in a cursive style.

JON W. DUDAS

Director of the United States Patent and Trademark Office