

US00D500986S

(12) **United States Design Patent**
Li

(10) **Patent No.:** **US D500,986 S**
(45) **Date of Patent:** **** Jan. 18, 2005**

(54) **CABLE END CONNECTOR**

(75) Inventor: **Chun Li, Kunsan (CN)**

(73) Assignee: **Hon Hai Precision Ind. Co., Ltd.,
Taipei Hsien (TW)**

(**) Term: **14 Years**

(21) Appl. No.: **29/185,795**

(22) Filed: **Jun. 30, 2003**

(30) **Foreign Application Priority Data**

Jun. 18, 2003 (TW) 92303792

(51) **LOC (7) Cl.** **13-03**

(52) **U.S. Cl.** **D13/147**

(58) **Field of Search** D13/146, 147;
439/352, 353, 357, 358, 607, 610, 677-681,
686

(56) **References Cited**

U.S. PATENT DOCUMENTS

5,658,170 A * 8/1997 Tan et al. 439/610
5,788,537 A * 8/1998 Davis et al. 439/607
D422,560 S * 4/2000 Lok D13/147

D429,484 S * 8/2000 Nishio et al. D13/147
D449,820 S * 10/2001 Lee D13/147
D478,548 S * 8/2003 Wu D13/133
D491,894 S * 6/2004 Jiang D13/147

* cited by examiner

Primary Examiner—Stella Reid
Assistant Examiner—Selina Sikder
(74) *Attorney, Agent, or Firm*—Wei Te Chung

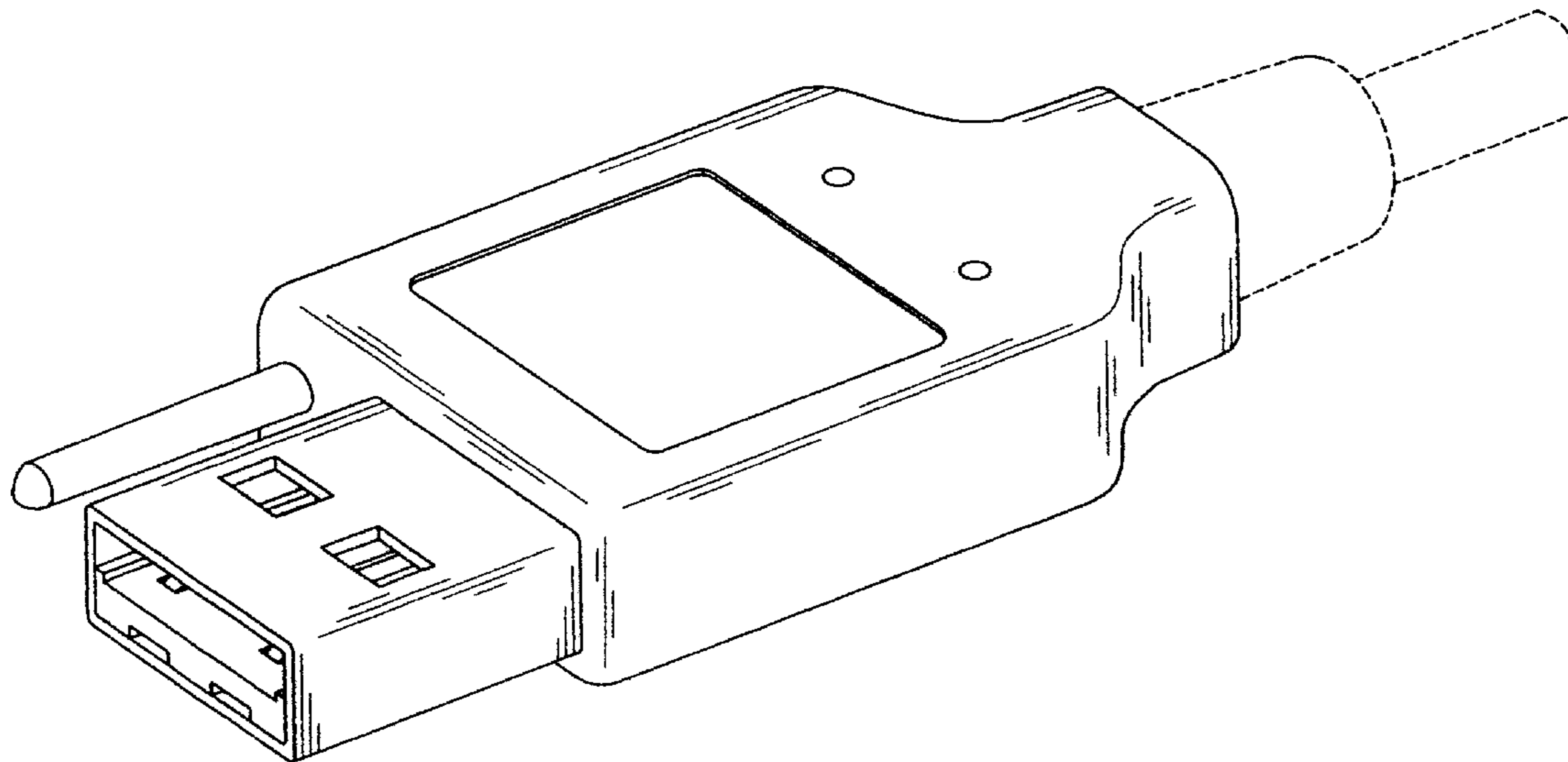
(57) **CLAIM**

The ornamental design for a cable end connector, as shown and described.

DESCRIPTION

FIG. 1 is a front, top and right side perspective view of a cable end connector showing my new design; FIG. 2 is a front elevational view of FIG. 1; FIG. 3 is a rear elevational view of FIG. 1; FIG. 4 is a left side elevational view of FIG. 1; FIG. 5 is a right side elevational view of FIG. 1; FIG. 6 is a top plan view of FIG. 1; and, FIG. 7 is a bottom plan view of FIG. 1. The cable shown in phantom lines is for illustrative purposes only and forms no part of the claimed invention.

1 Claim, 6 Drawing Sheets



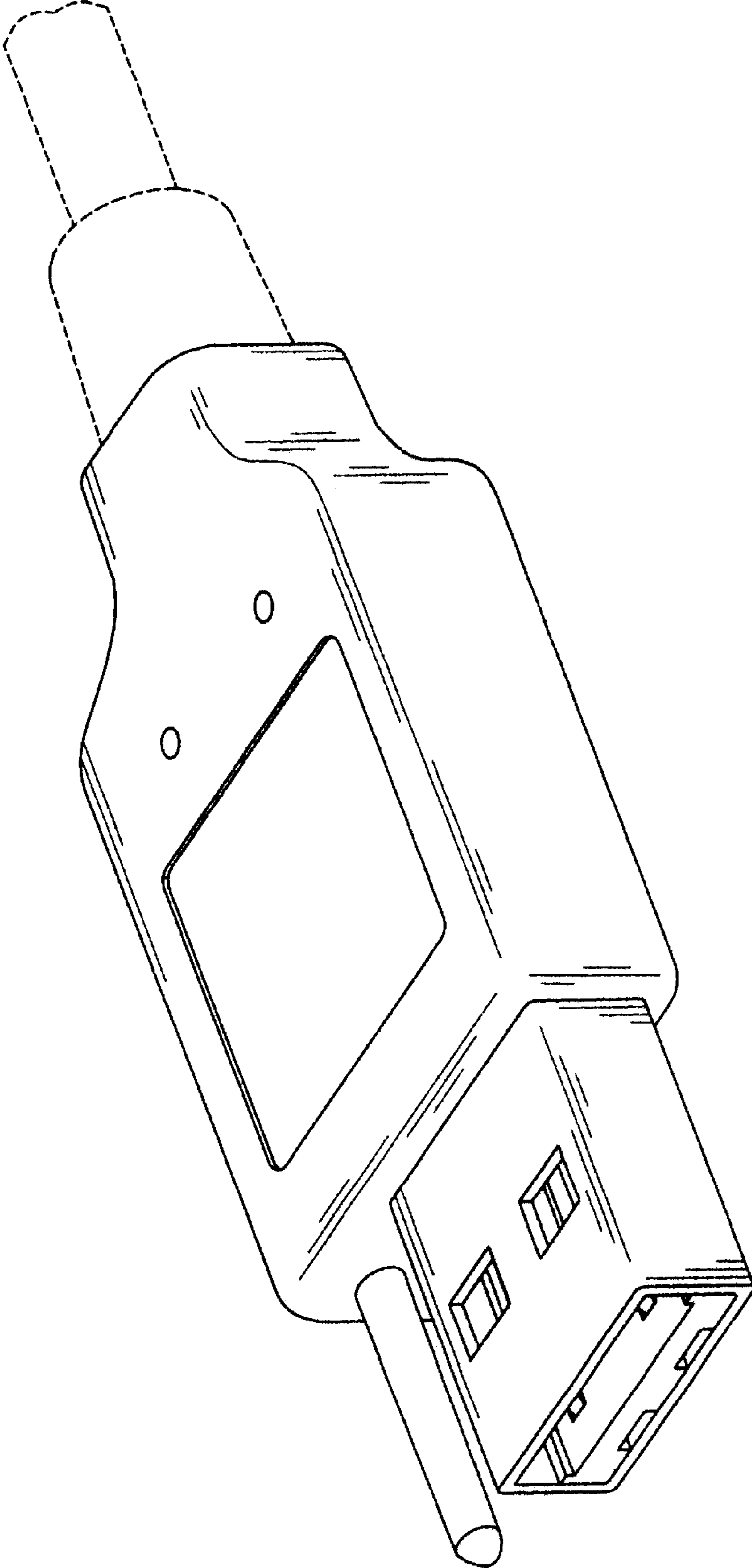


FIG. 1

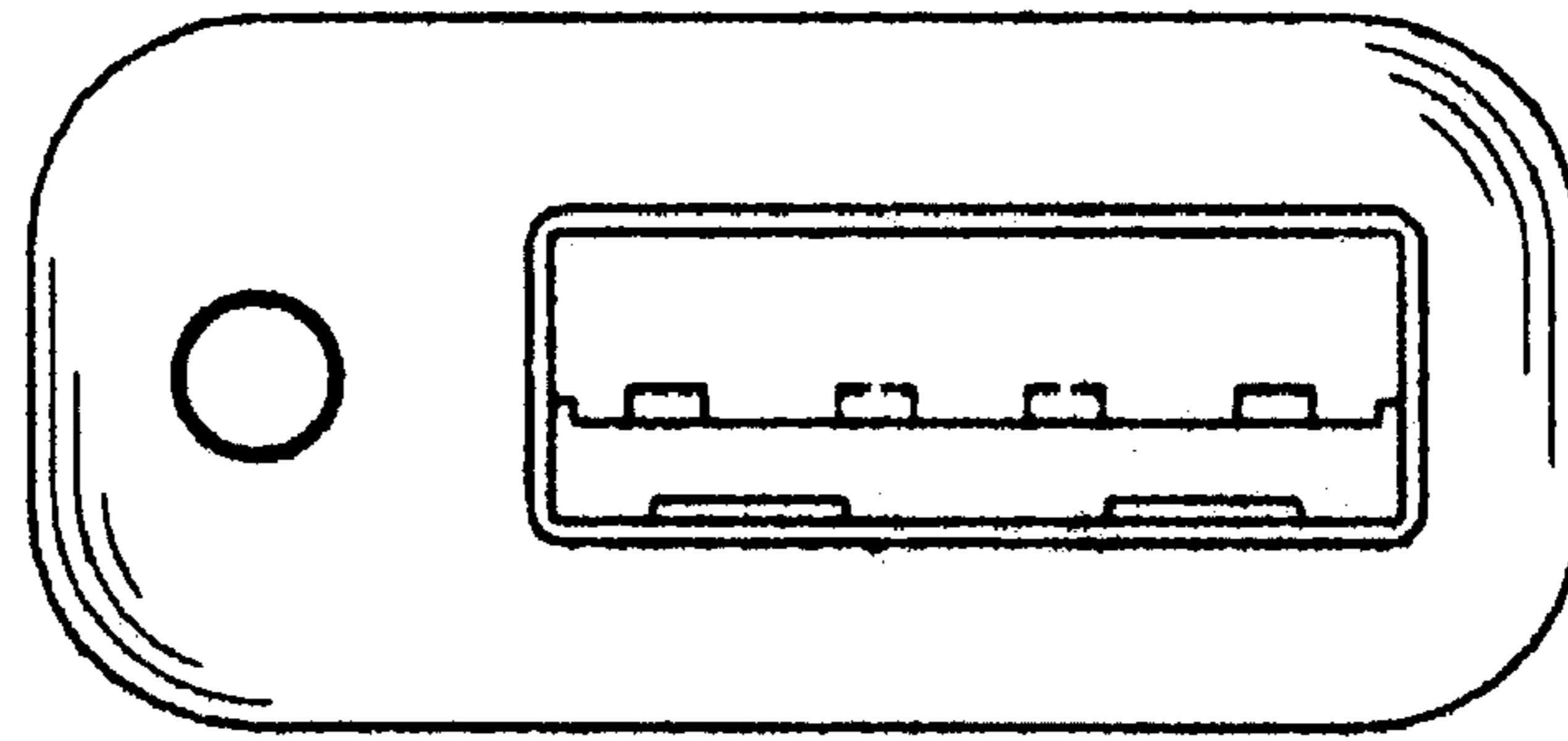


FIG. 2

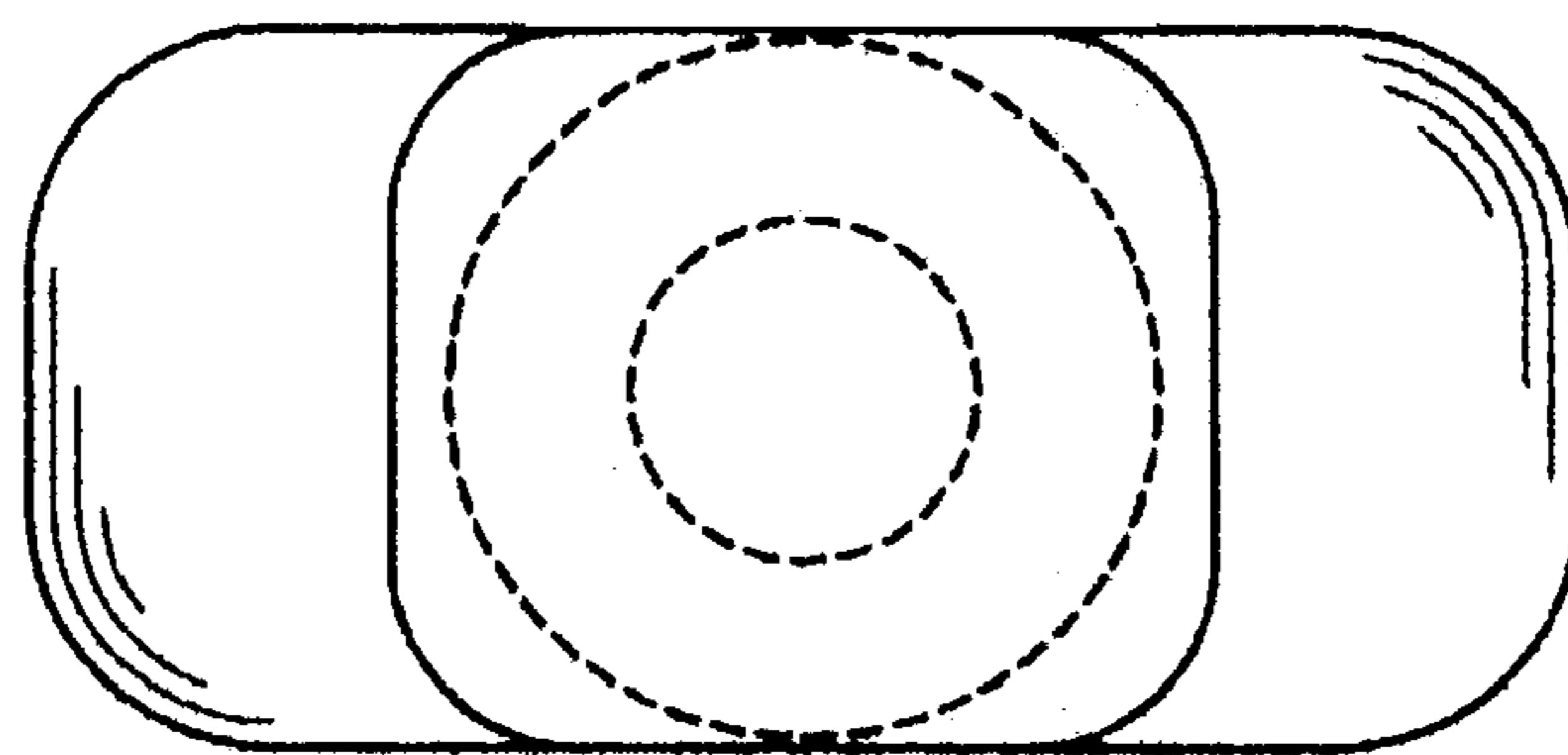


FIG. 3

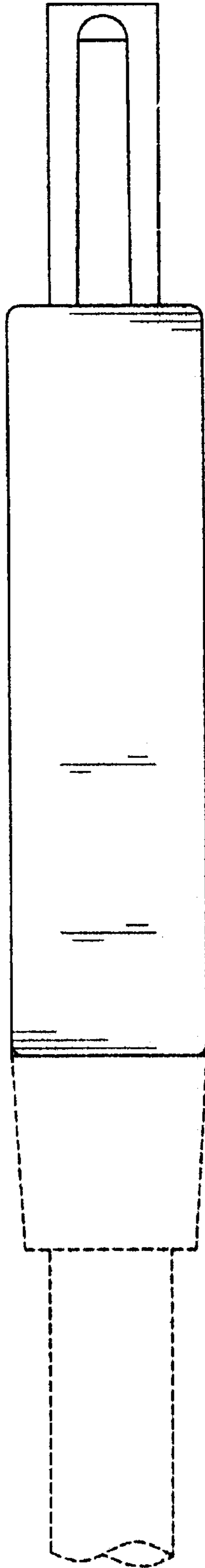


FIG. 4

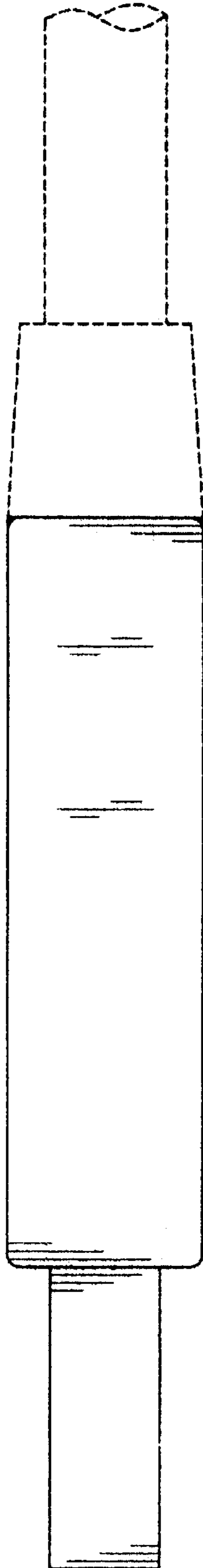


FIG. 5

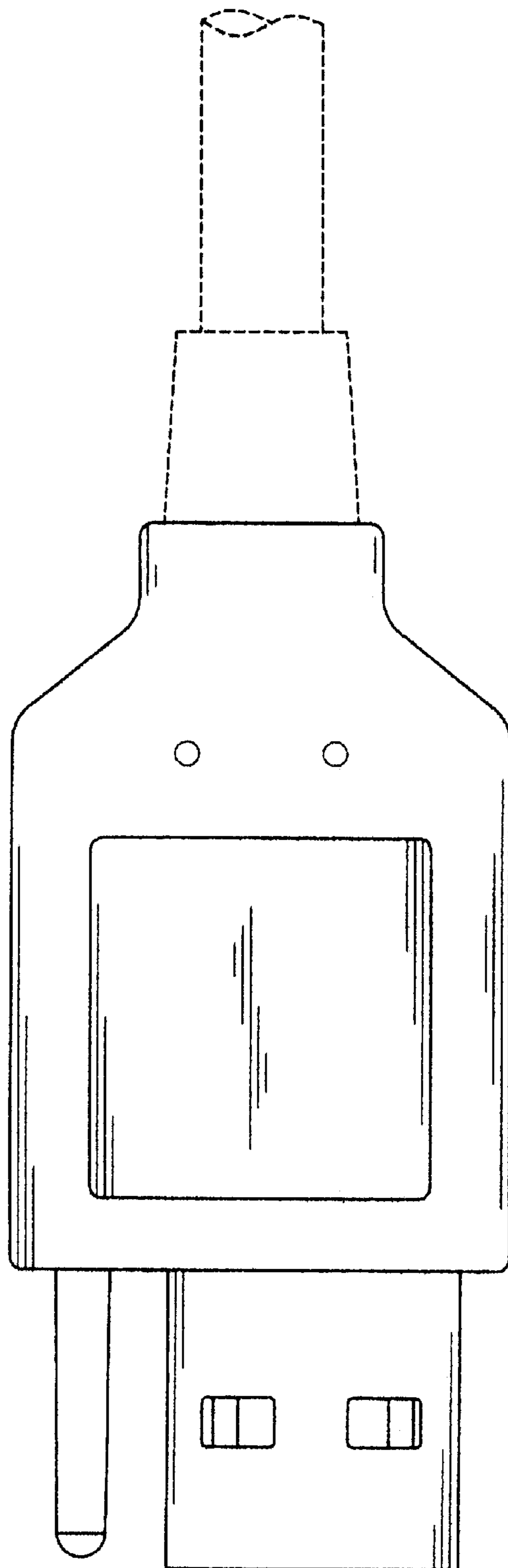


FIG. 6

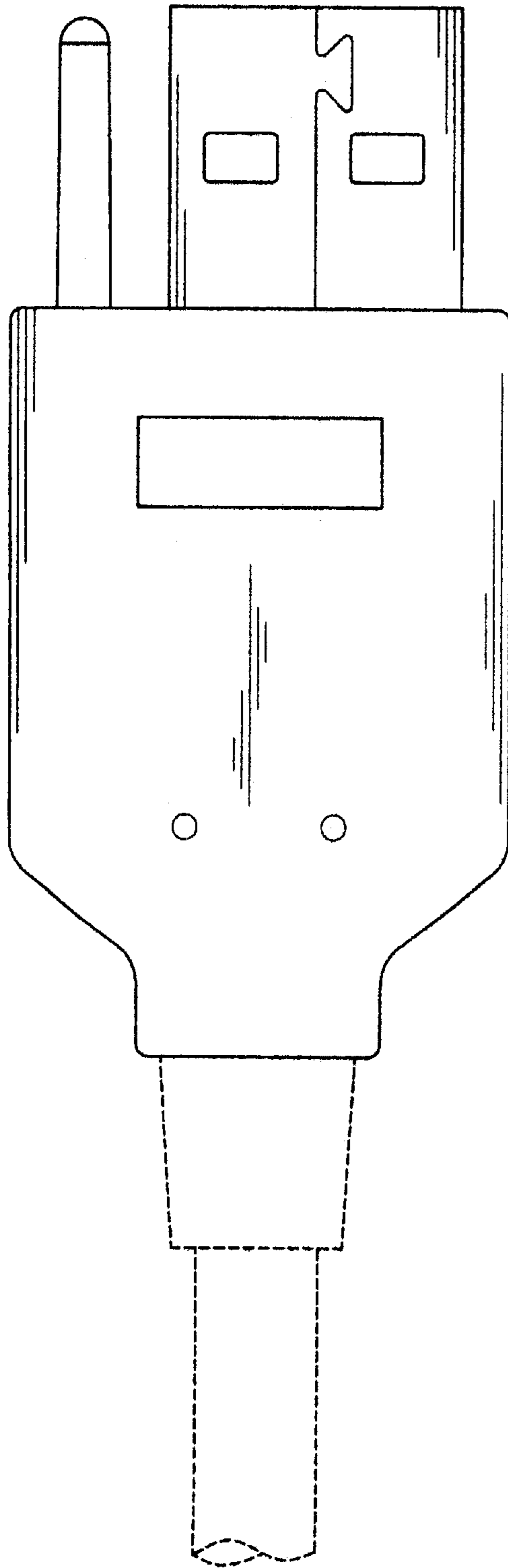


FIG. 7