

US00D500985S

(12) **United States Design Patent**
Yamane et al.

(10) **Patent No.:** **US D500,985 S**
(45) **Date of Patent:** **** Jan. 18, 2005**

(54) **CONNECTOR**
(75) Inventors: **Hiroshi Yamane**, Kanagawa (JP);
Junya Kajimoto, Kanagawa (JP)
(73) Assignee: **J.S.T. Mfg. Co., Ltd.**, Osaka (JP)
(**) Term: **14 Years**
(21) Appl. No.: **29/183,062**
(22) Filed: **Jun. 6, 2003**

JP	1083550 S	8/2000
JP	1108092 S	5/2001
JP	1108250 S	5/2001
JP	1108251 S	5/2001
JP	1108252 S	5/2001
JP	1138432 S	4/2002
JP	1138433 S	4/2002
JP	1139129 S	4/2002
JP	1139130 S	4/2002
JP	1139131 S	4/2002
JP	1139132 S	4/2002
JP	1108250 S	8/2002
JP	1155686 S	10/2002

(30) **Foreign Application Priority Data**

Dec. 6, 2002 (JP) D2002-033994

(51) **LOC (7) Cl.** **13-03**
(52) **U.S. Cl.** **D13/147**
(58) **Field of Search** D13/147; 439/260,
439/325, 329, 492, 495, 570, 607

* cited by examiner

Primary Examiner—Nanda Bondade
Assistant Examiner—Selina Sikder
(74) *Attorney, Agent, or Firm*—Rader, Fishman & Grauer
PLLC

(56) **References Cited**

U.S. PATENT DOCUMENTS

5,904,586 A *	5/1999	Takayasu	439/260
6,056,572 A *	5/2000	Matsumoto et al.	439/260
6,099,346 A *	8/2000	Hashiguchi et al.	439/495
6,206,723 B1 *	3/2001	Kunishi	439/495
6,338,648 B1 *	1/2002	Miura et al.	439/495
6,352,442 B1 *	3/2002	Kudo	439/260
6,471,541 B2 *	10/2002	Kunishi et al.	439/495
D470,109 S *	2/2003	Yokoyama et al.	D13/147
D470,110 S *	2/2003	Yamane	D13/147
6,533,606 B2 *	3/2003	Yamane	439/495
6,679,713 B2 *	1/2004	Miura	439/260

FOREIGN PATENT DOCUMENTS

JP 1077247 S 7/2000

(57) **CLAIM**

The ornamental design for a connector, as shown.

DESCRIPTION

FIG. 1 is a perspective view of a connector showing our new design;
FIG. 2 is a front elevational view thereof;
FIG. 3 is a rear elevational view thereof;
FIG. 4 is a right side elevational view thereof;
FIG. 5 is a left side elevational view thereof;
FIG. 6 is a top plan view thereof; and,
FIG. 7 is a bottom plan view thereof.

1 Claim, 4 Drawing Sheets

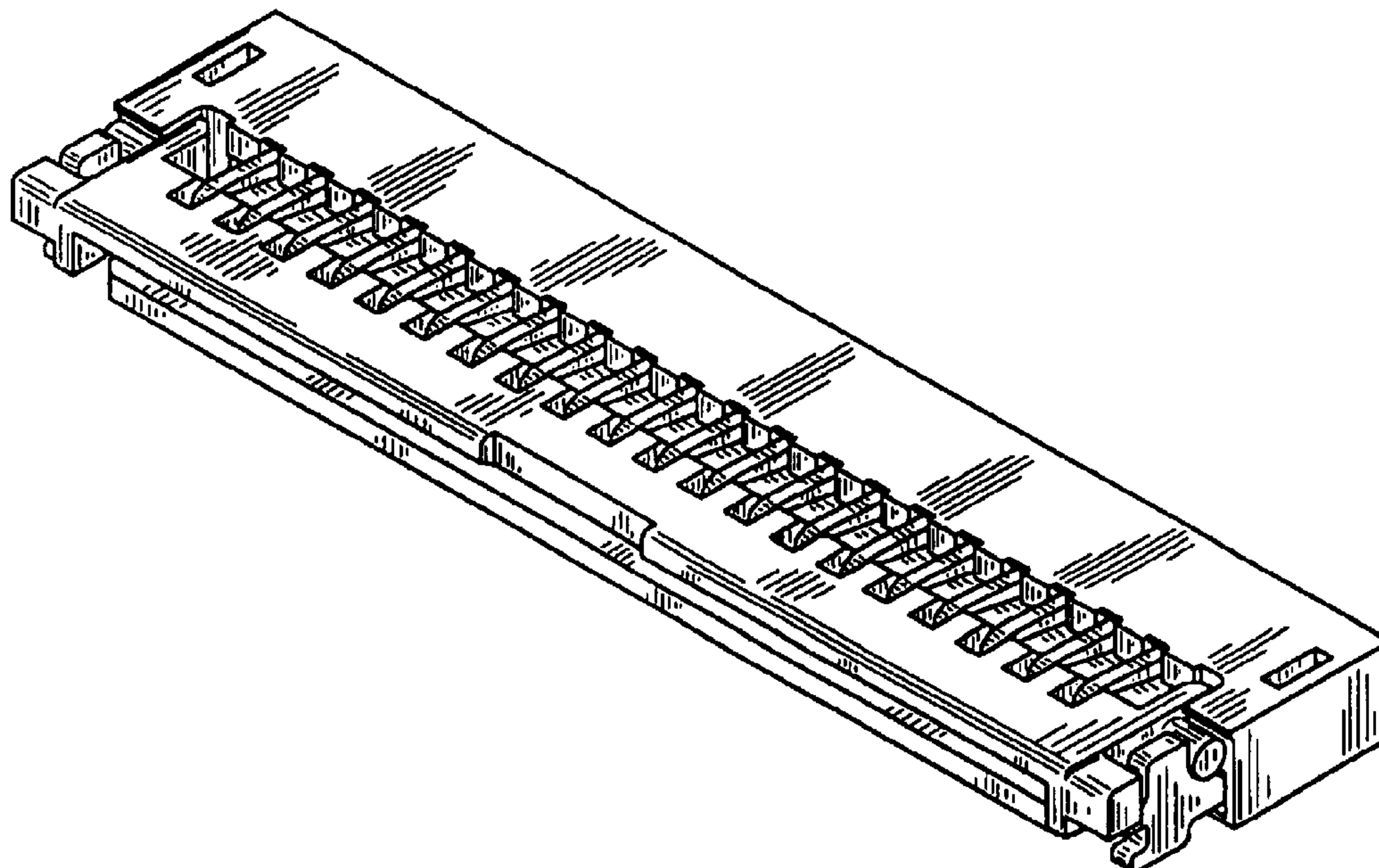


Fig.1

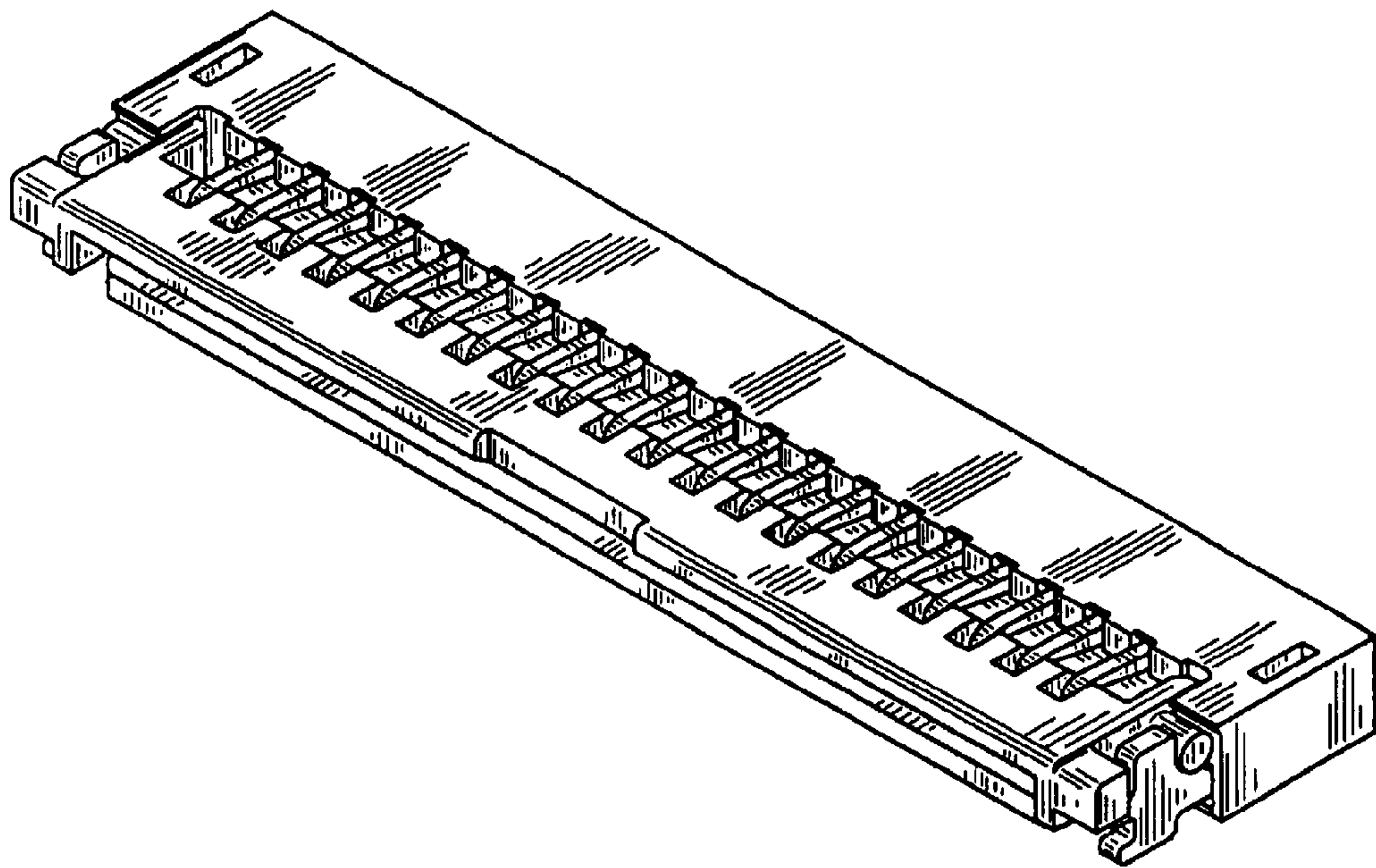


Fig.2

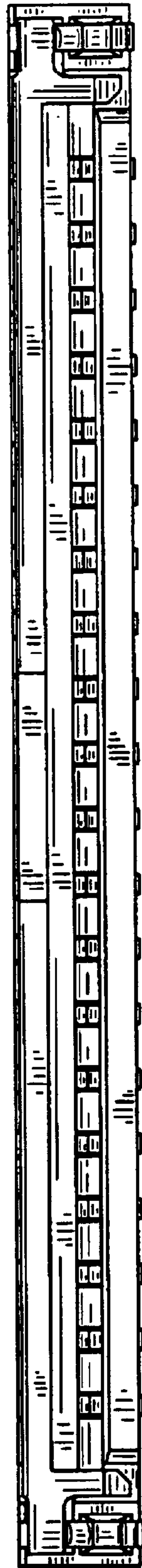


Fig.3

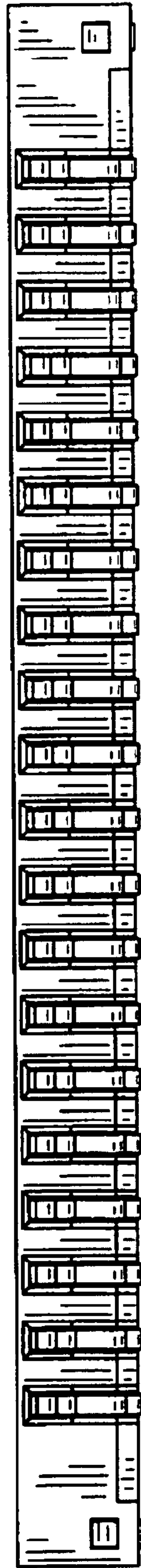


Fig.4

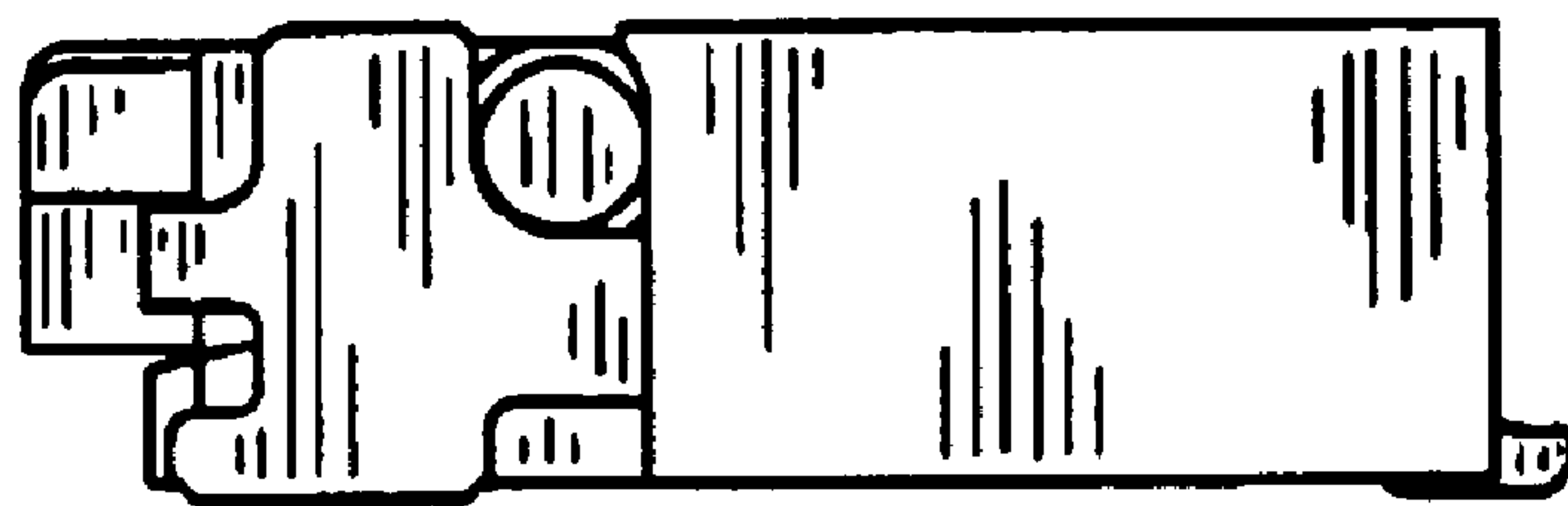


Fig.5

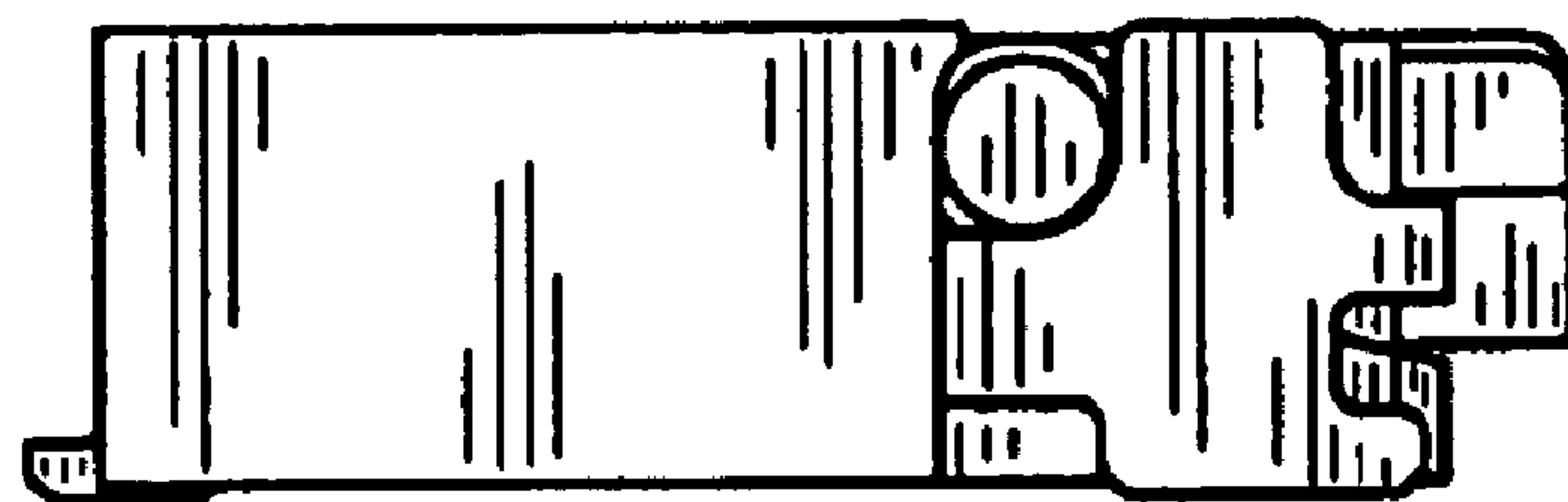


Fig.6

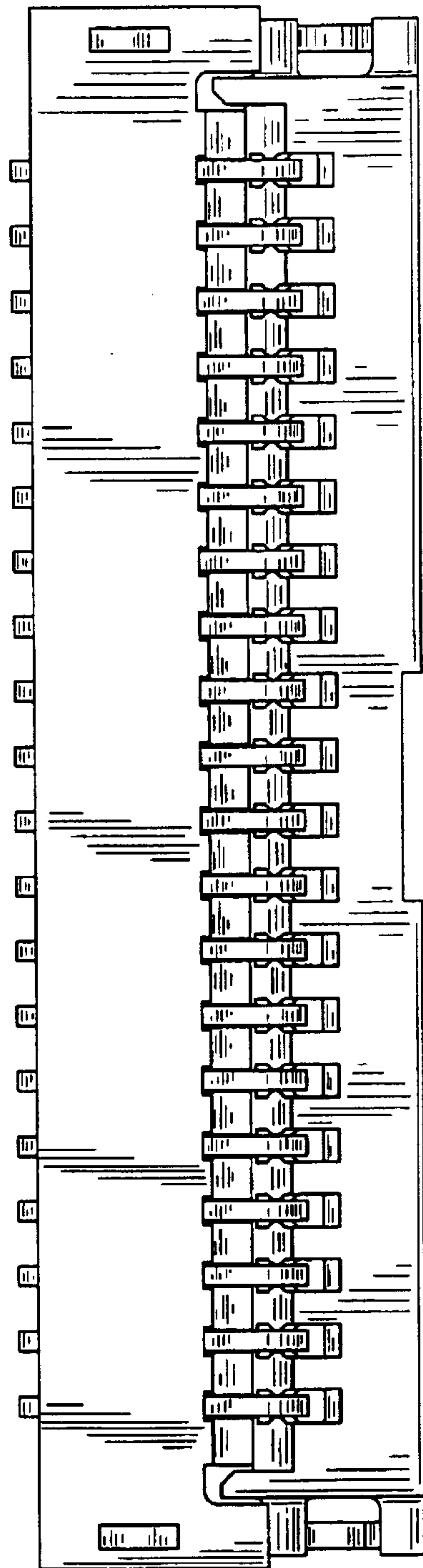


Fig.7

