



US00D500979S

(12) **United States Design Patent**
Chrisco et al.

(10) **Patent No.: US D500,979 S**
(45) **Date of Patent: ** Jan. 18, 2005**

- (54) **WHEEL CHOCK**
- (75) Inventors: **Larry L. Chrisco**, Fairland, OK (US);
Charlie L. Forbis, Quapaw, OK (US)
- (73) Assignee: **Blitz U.S.A, Inc.**, Miami, OK (US)
- (**) Term: **14 Years**
- (21) Appl. No.: **29/204,821**
- (22) Filed: **May 3, 2004**

- D365,078 S * 12/1995 Ziaylek D12/217
- D387,323 S * 12/1997 Wilcox D12/217
- D432,976 S * 10/2000 Chiang D12/217
- D489,310 S * 5/2004 Olson et al. D12/217

* cited by examiner

Primary Examiner—Stacia Cadmus
(74) *Attorney, Agent, or Firm*—Hovey Williams LLP

(57) **CLAIM**

The ornamental design for a wheel chock, as shown and described.

Related U.S. Application Data

- (62) Division of application No. 29/191,505, filed on Oct. 8, 2003, now Pat. No. Des. 493,408.
- (51) **LOC (7) Cl.** **12-06**
- (52) **U.S. Cl.** **D12/217**
- (58) **Field of Search** D12/217, 114,
D12/120, 203; 188/4 R, 32, 36; D8/402;
280/293; 410/30, 49

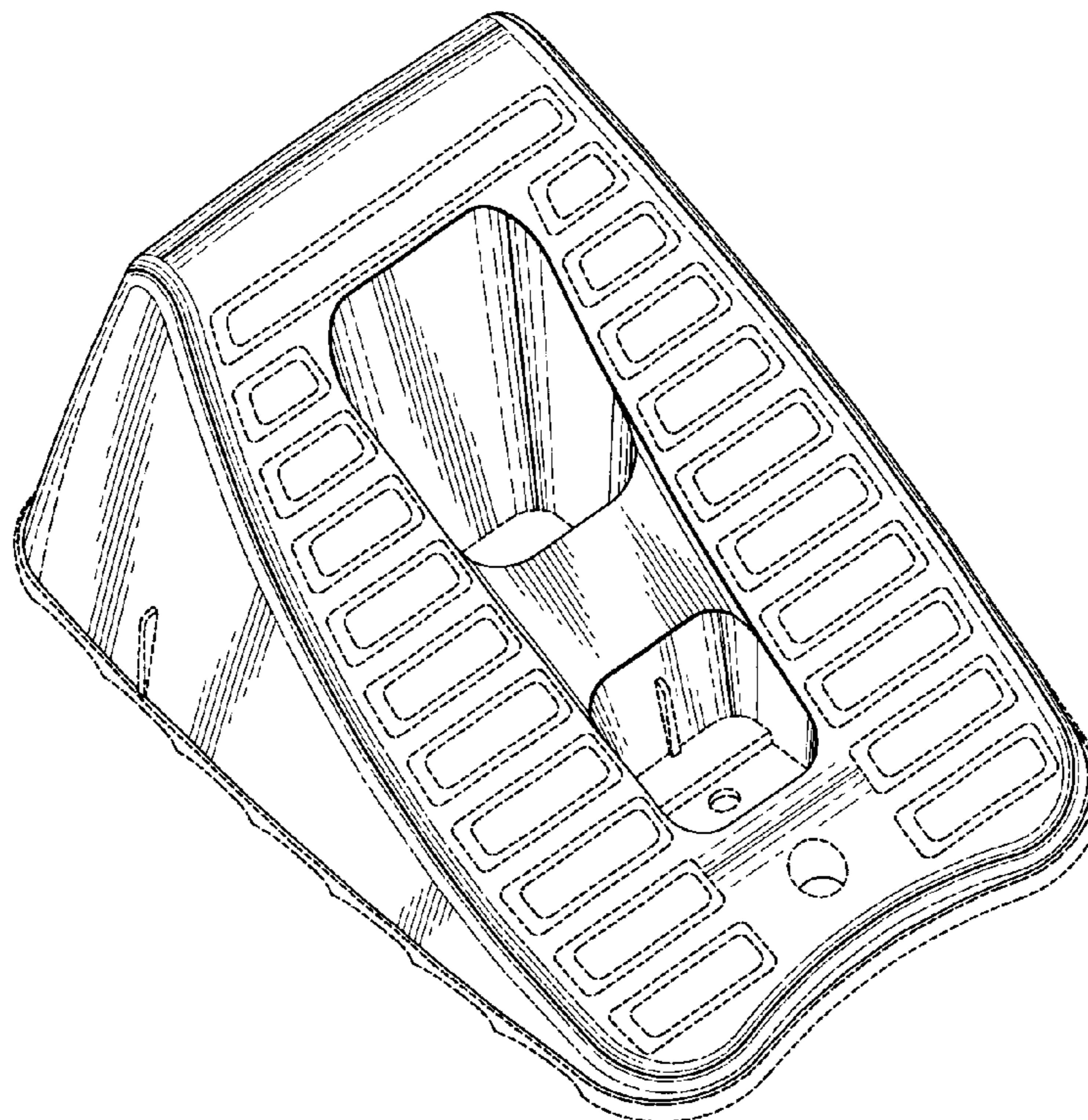
DESCRIPTION

FIG. 1 is a perspective view of an ornamental wheel chock embodying our design, with the projections on the tire-engaging surface, the ground-engaging flange, the internal and external spacing ribs, and a number of other constructional details being shown in broken lines for illustrative purposes only and forming no part of the claimed design; FIG. 2 is a right side view of the wheel chock depicted in FIG. 1, with the left side elevation being a mirror image thereof; FIG. 3 is a front view of the wheel chock depicted in FIG. 1; FIG. 4 is a rear view of the wheel chock depicted in FIG. 1; FIG. 5 is a plan view of the wheel chock depicted in FIG. 1; and, FIG. 6 is a bottom view of the wheel chock depicted in FIG. 1.

(56) **References Cited**
U.S. PATENT DOCUMENTS

- D181,031 S * 9/1957 Wilson et al. D12/217
- D215,325 S * 9/1969 Merlo D12/217
- D229,330 S * 11/1973 Miles D12/217
- D236,612 S * 9/1975 Wetzel et al. D12/217
- D282,459 S * 2/1986 Sauber D12/217
- D307,575 S * 5/1990 Gano D12/217
- D316,243 S * 4/1991 Henry D12/217
- D326,254 S * 5/1992 Ziaylek et al. D12/217

1 Claim, 2 Drawing Sheets



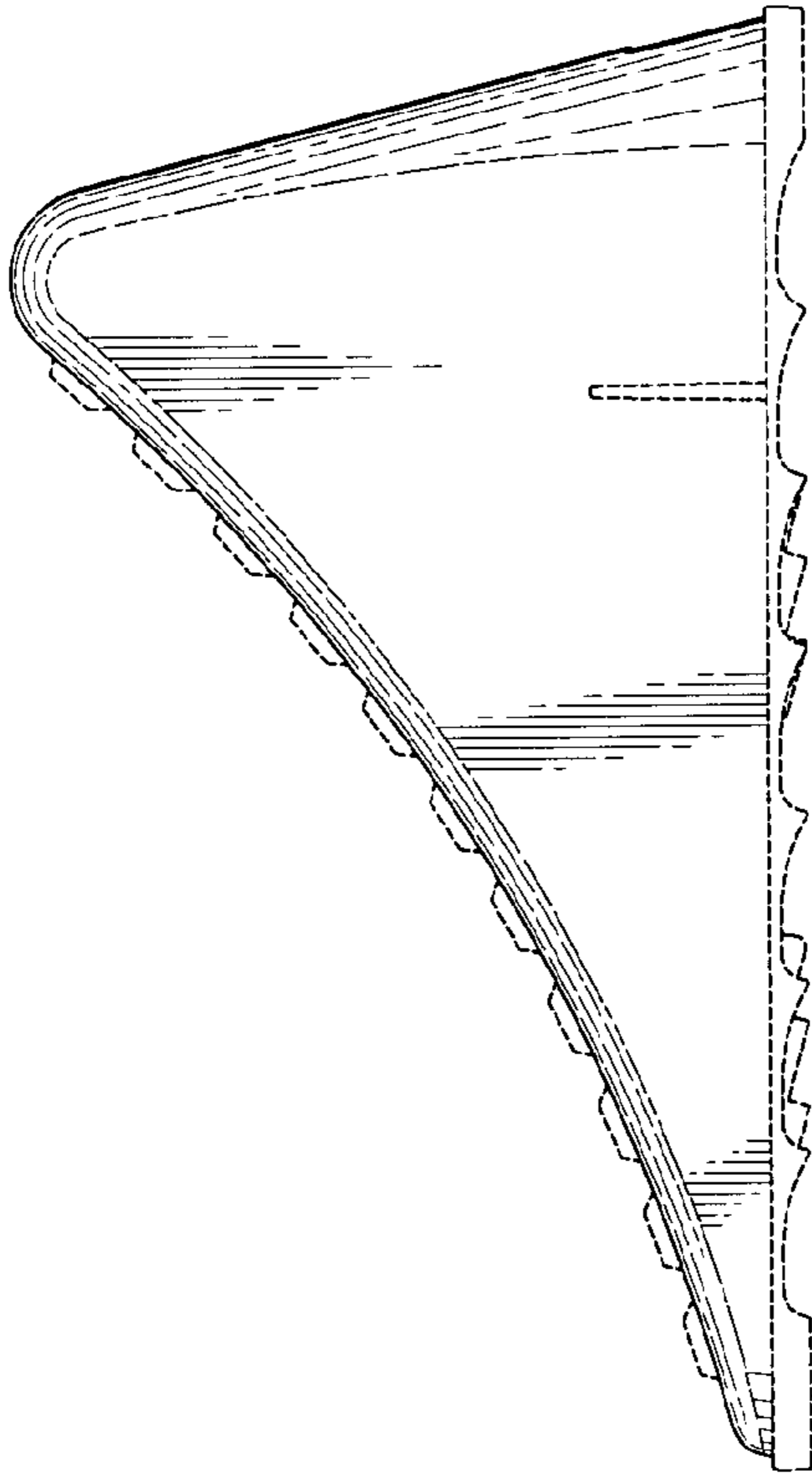


Fig. 2.

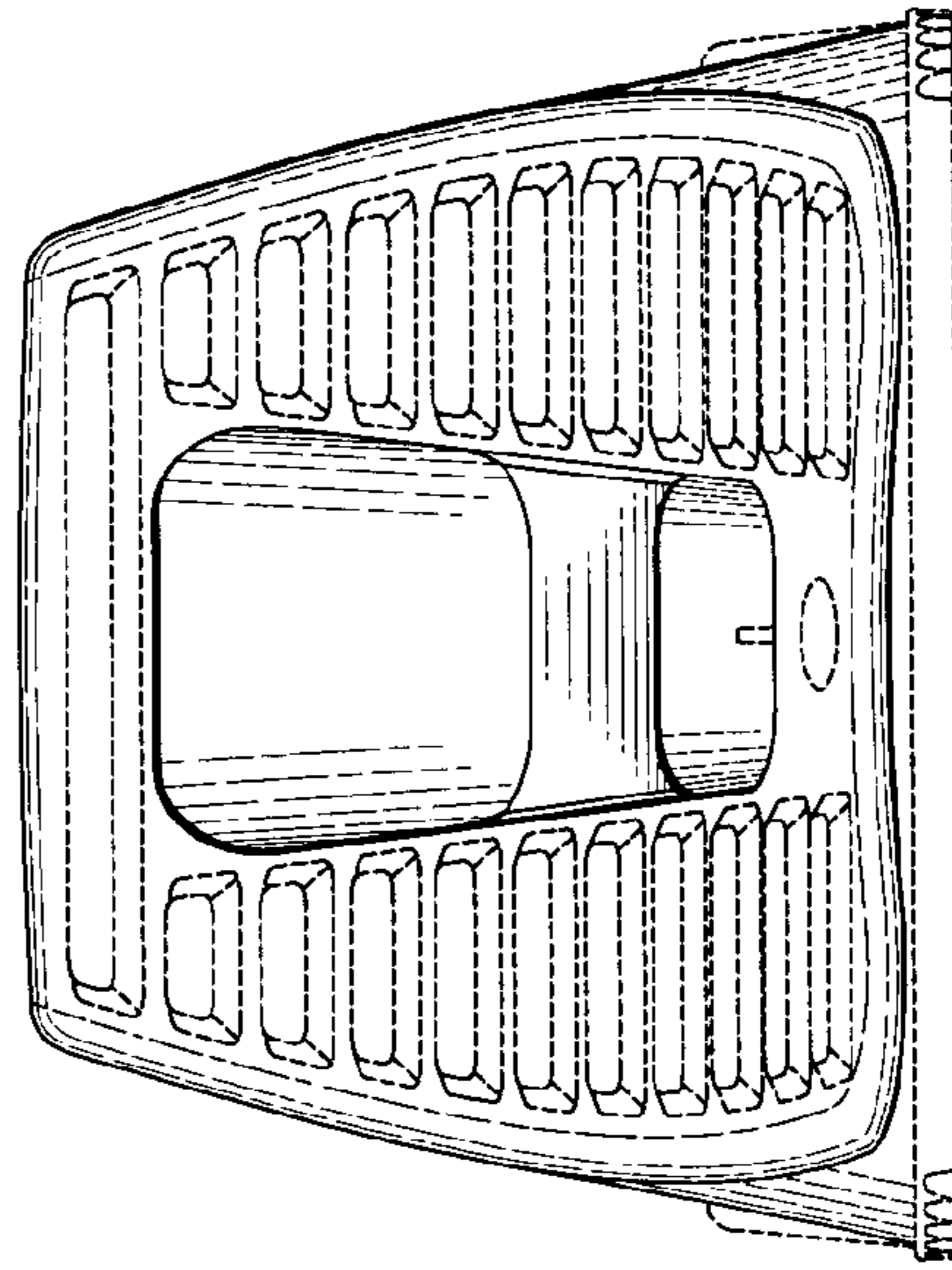


Fig. 3.

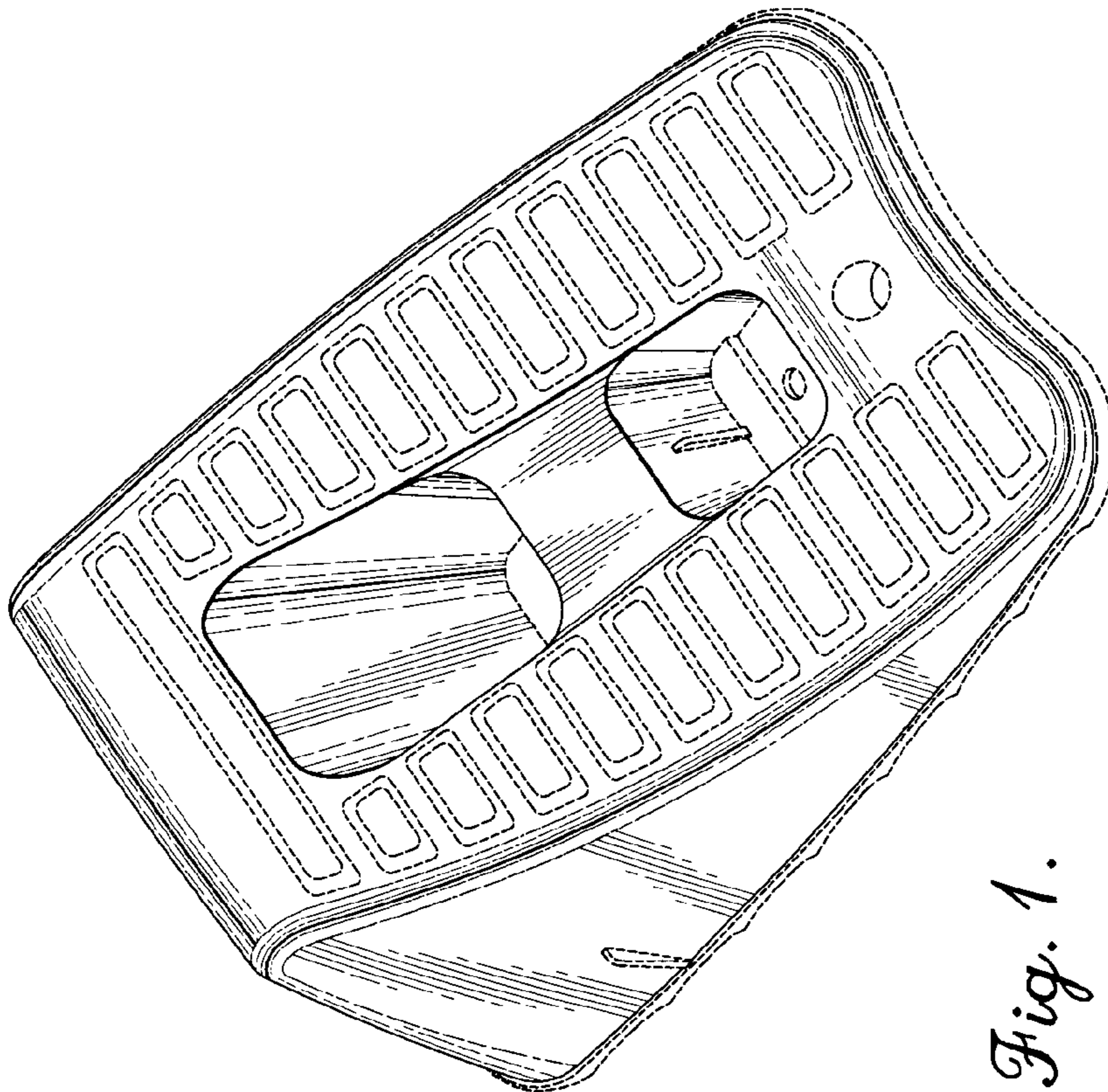


Fig. 1.

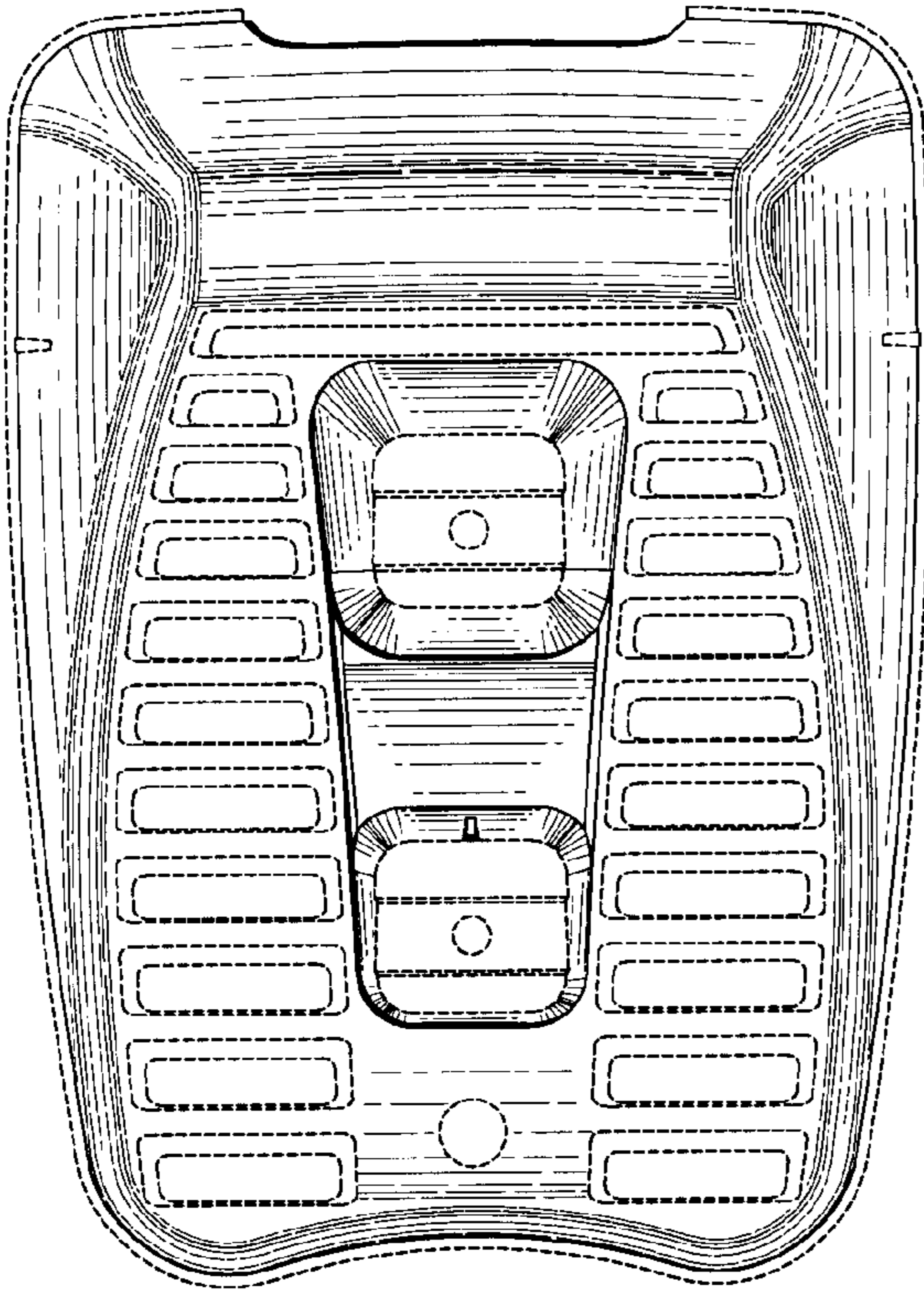


Fig. 5.

Fig. 6.

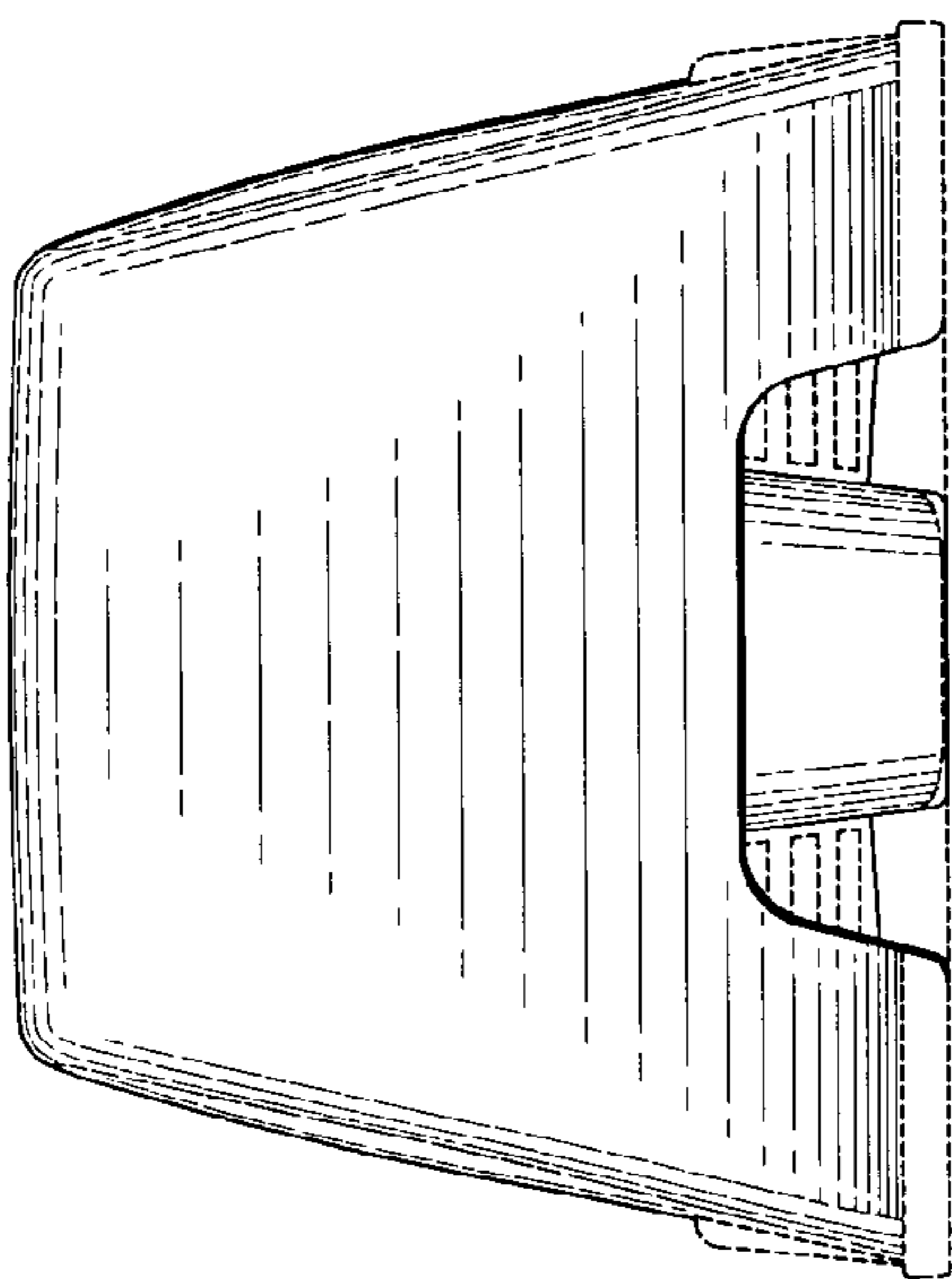


Fig. 4.

