

US00D500978S

(12) **United States Design Patent**
Echazabal

(10) **Patent No.:** **US D500,978 S**

(45) **Date of Patent:** **** Jan. 18, 2005**

(54) **VEHICLE WHEEL**

(75) **Inventor:** **Alberto Echazabal, Pasadena, CA (US)**

(73) **Assignee:** **Demm Global, S.L., Ribarroja del Turia (ES)**

(**) **Term:** **14 Years**

(21) **Appl. No.:** **29/204,373**

(22) **Filed:** **Apr. 29, 2004**

(30) **Foreign Application Priority Data**

Oct. 31, 2003 (ES) 157541

(51) **LOC (7) Cl.** **12-16**

(52) **U.S. Cl.** **D12/209**

(58) **Field of Search** D12/204-213;
301/37.101, 64.101, 65

(56) **References Cited**

U.S. PATENT DOCUMENTS

- D353,571 S * 12/1994 Braungart et al. D12/211
- D376,125 S * 12/1996 Fikse D12/211
- D395,270 S * 6/1998 Baumgartner et al. D12/211
- D398,898 S * 9/1998 Baumgartner et al. D12/211
- D402,251 S * 12/1998 Timm D12/211

- D405,409 S * 2/1999 Baumgartner D12/211
- D406,092 S * 2/1999 Baumgartner D12/211
- D410,426 S * 6/1999 Frizzi D12/211
- D416,849 S * 11/1999 Weidhase D12/211
- D417,646 S * 12/1999 Baumgartner D12/211
- D430,526 S * 9/2000 Fitzgerald D12/211
- D438,162 S * 2/2001 Syring D12/211
- D438,833 S * 3/2001 Takechi D12/211
- D451,067 S * 11/2001 Frizzi D12/211
- D454,327 S * 3/2002 Bux D12/211

* cited by examiner

Primary Examiner—Stacia Cadmus

(74) *Attorney, Agent, or Firm*—Bacon & Thomas, PLLC

(57) **CLAIM**

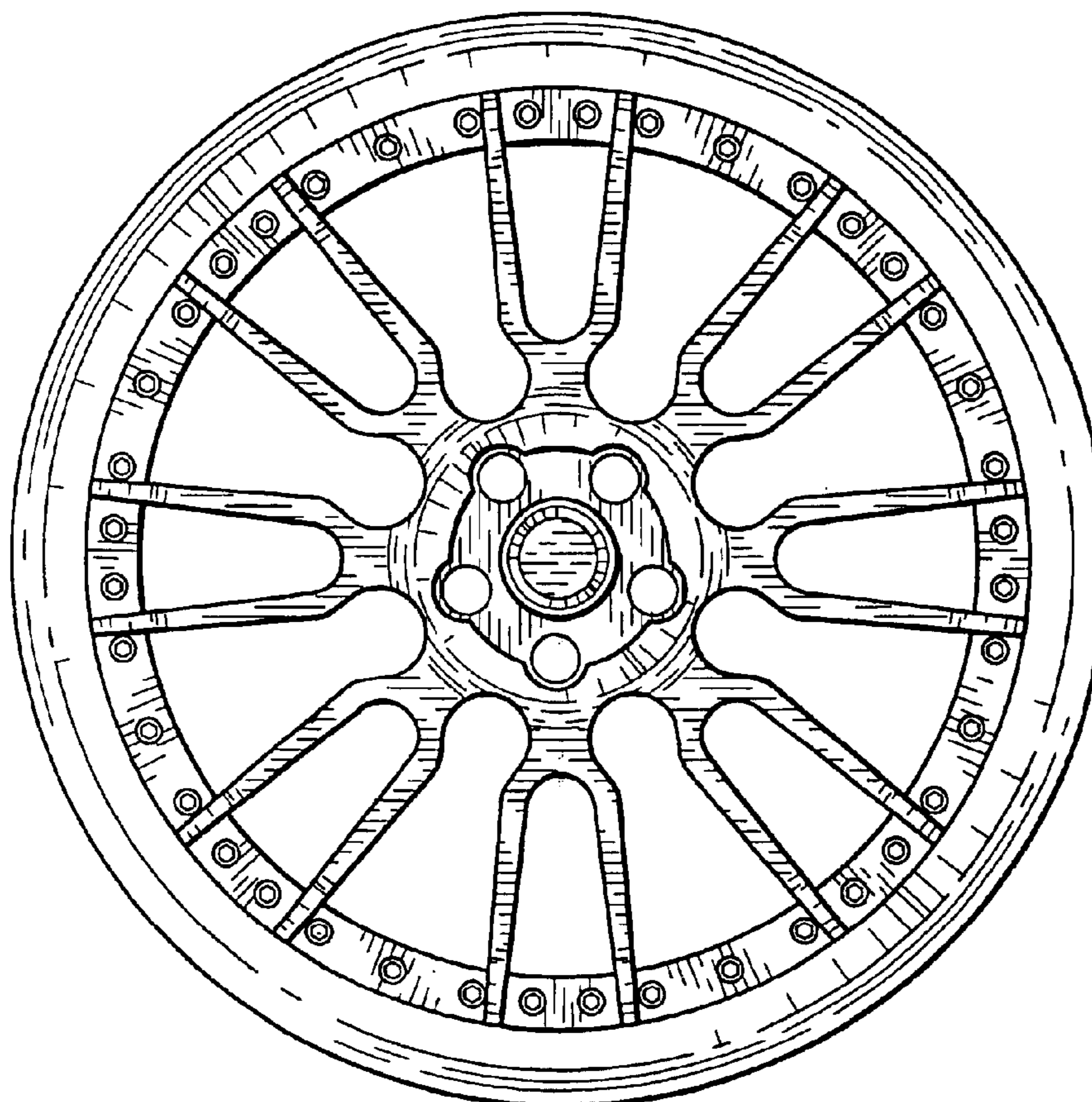
The ornamental design for a vehicle wheel, as shown and described.

DESCRIPTION

FIG. 1 is a left side perspective view of a vehicle wheel showing my new design; and, FIG. 2 is a front elevation view of the wheel shown in FIG. 1.

The broken lines showing of environment is for illustrative purposes only and forms no part of the claimed design.

1 Claim, 2 Drawing Sheets



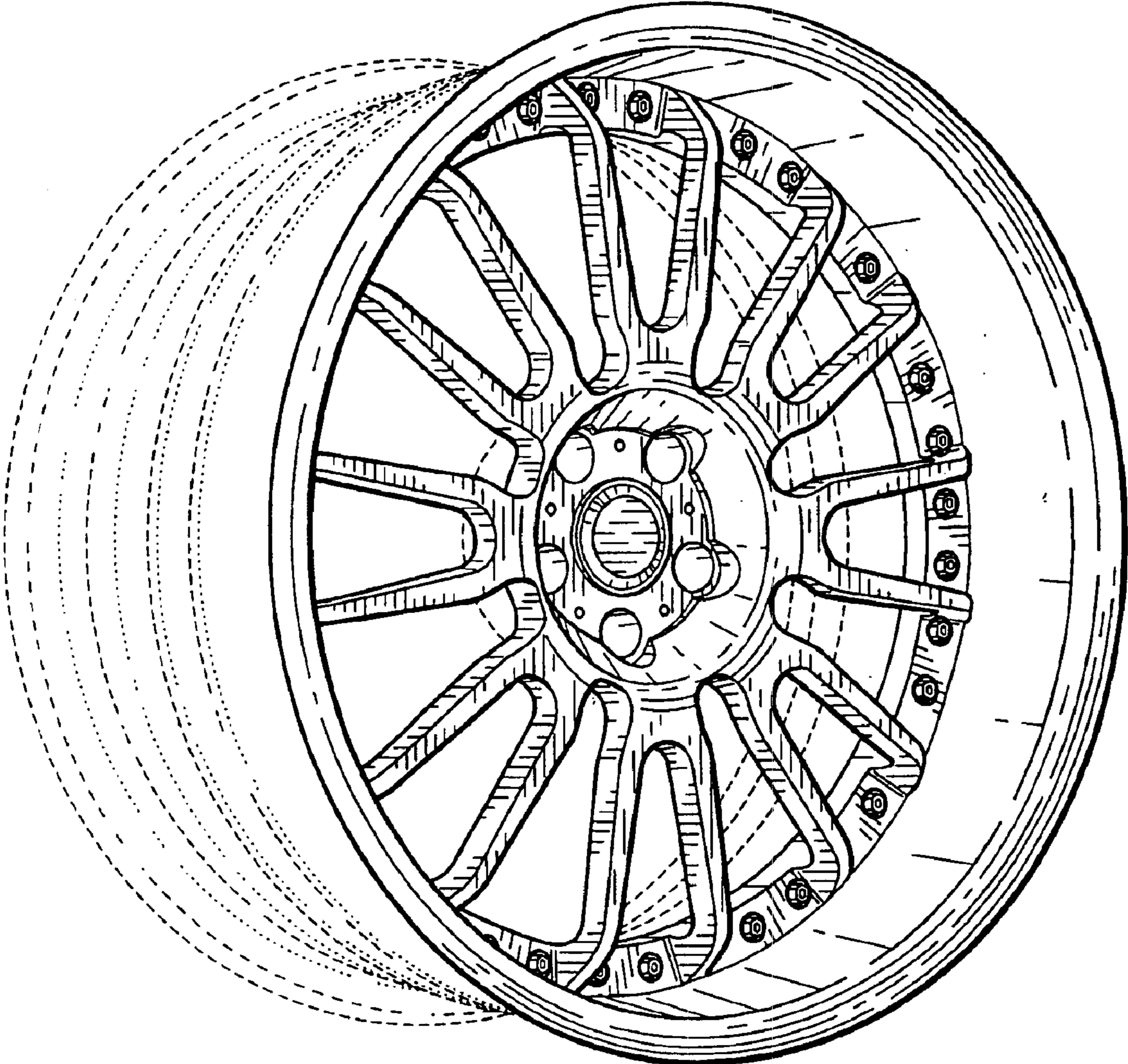


FIG. 1

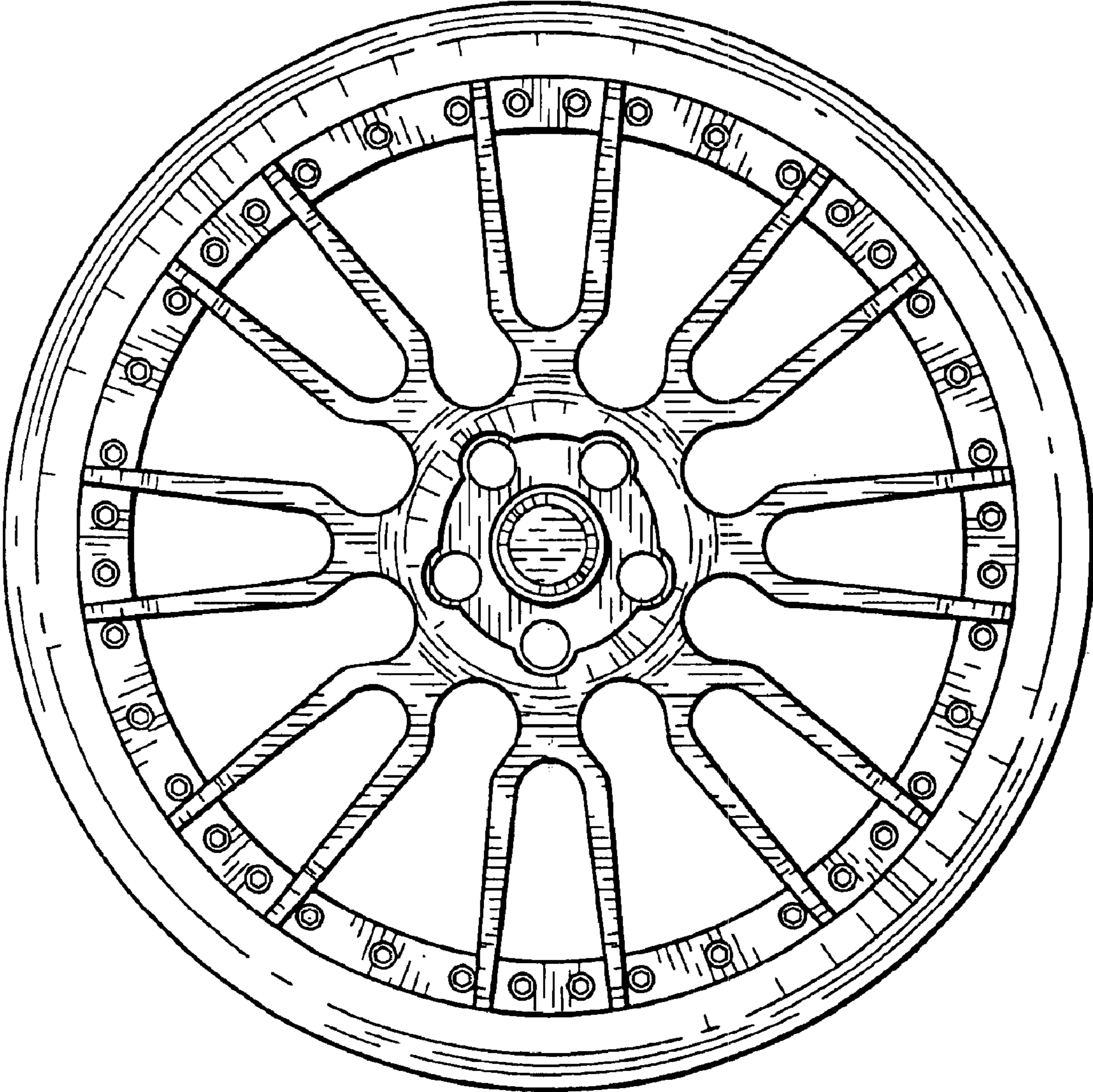


FIG. 2