

US00D500960S

(12) **United States Design Patent**
Calvani

(10) **Patent No.:** **US D500,960 S**
(45) **Date of Patent:** **** Jan. 18, 2005**

(54) **HOUR SYMBOL FOR A WATCH FACE**

6,295,251 B1 * 9/2001 Sakai et al. 368/232

(75) **Inventor:** **Maria Cristina Calvani**, Cologny (CH)

* cited by examiner

(73) **Assignee:** **Rolex Watch U.S.A. Inc.**, New York, NY (US)

Primary Examiner—Nelson C. Holtje
(74) *Attorney, Agent, or Firm*—Morgan & Finnegan, LLP

(**) **Term:** **14 Years**

(57) **CLAIM**

(21) **Appl. No.:** **29/197,337**

I claim the ornamental design for a hour symbol for a watch face, as shown and described.

(22) **Filed:** **Jan. 13, 2004**

DESCRIPTION

(30) **Foreign Application Priority Data**

Jul. 16, 2003 (CH) 129872

(51) **LOC (7) Cl.** **10-07**

(52) **U.S. Cl.** **D10/128**

(58) **Field of Search** D10/1-40, 122-132;
368/223, 228-229, 232, 280-282, 285

FIG. 1 is a bottom side plan view of a design for the hour symbol for a watch face;
FIG. 2 is front side view of the claimed design;
FIG. 3 is left side view thereof;
FIG. 4 is right side plan view thereof;
FIG. 5 is top plan view thereof;
FIG. 6 is a rear plan view thereof;
FIG. 7 is a perspective view showing the front side, left side and top side thereof; and,
FIG. 8 is perspective view of the hour symbol in its environment on a watch face.

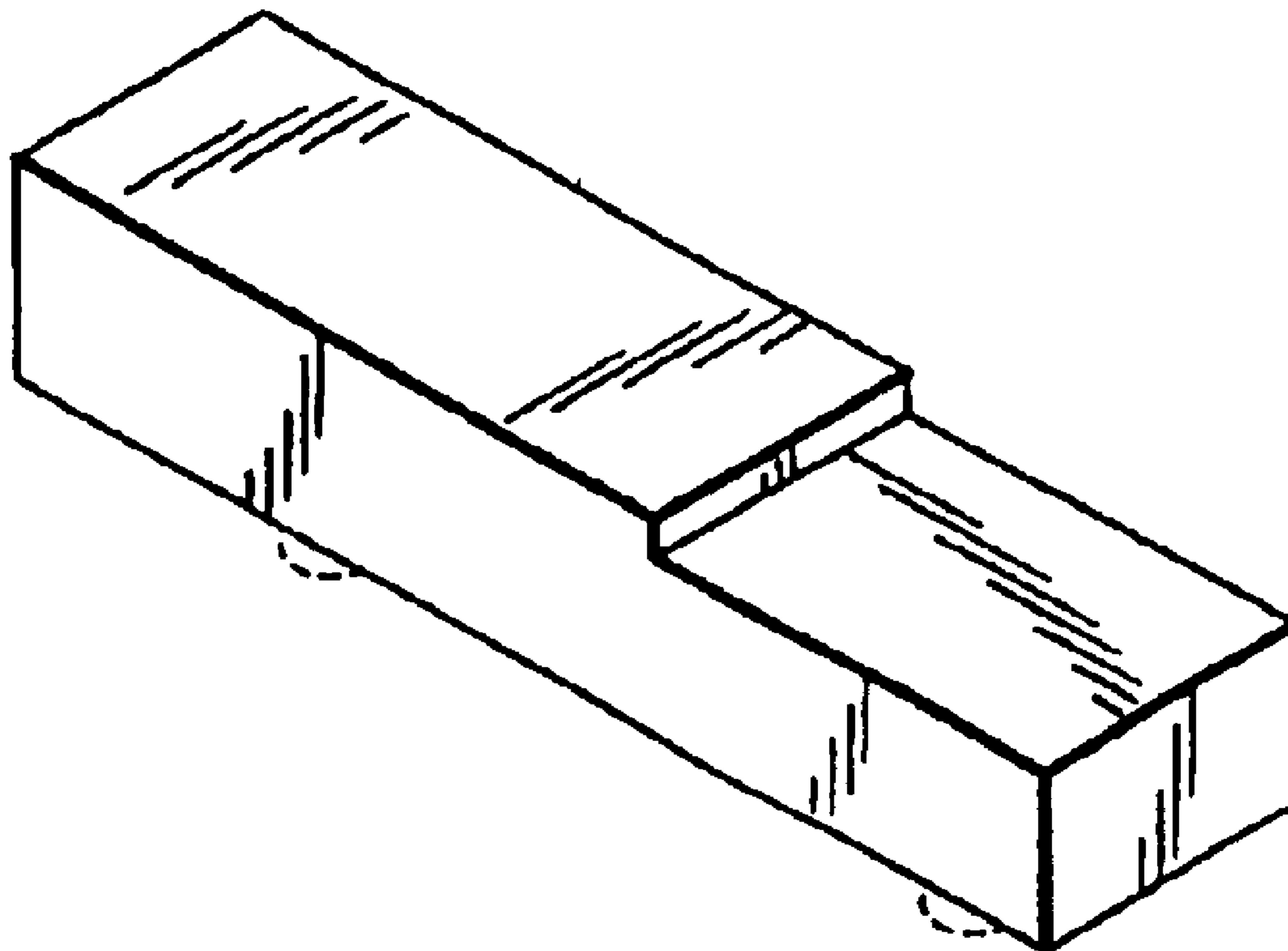
(56) **References Cited**

U.S. PATENT DOCUMENTS

- D129,370 S * 9/1941 Dupertuis D10/125
- 2,761,198 A * 9/1956 Stern 29/896.32
- 3,146,578 A * 9/1964 Etienne 368/226
- D399,159 S * 10/1998 Pandel D10/128
- D399,160 S * 10/1998 Pandel D10/128
- D443,219 S * 6/2001 Iwanaga D10/126

The broken line showings of FIGS. 2-4, FIG. 6 and FIG. 8 are environmental only and form no part of the claimed design.

1 Claim, 2 Drawing Sheets



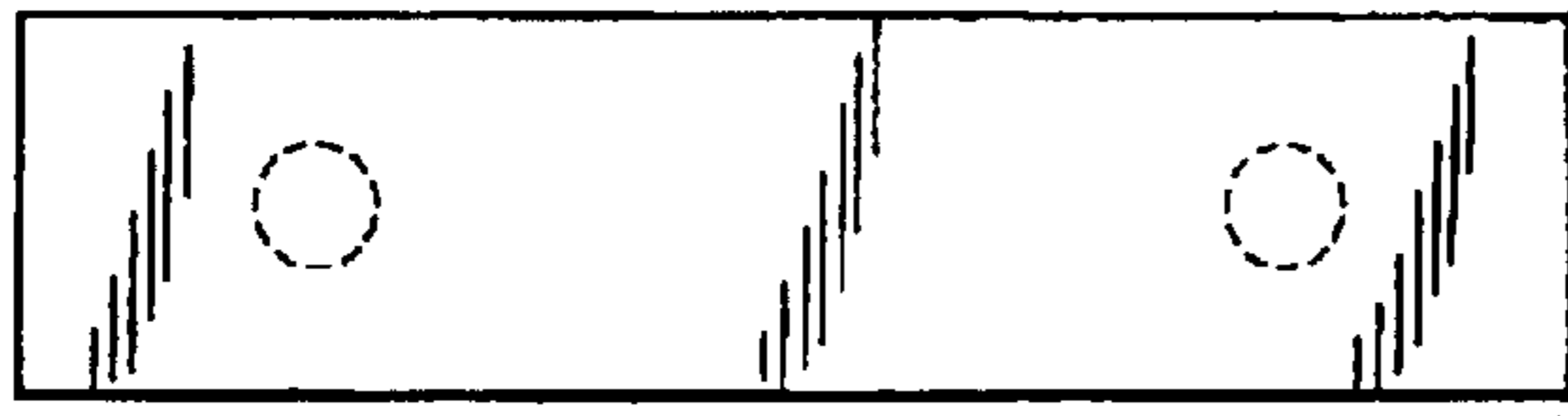


FIG. 1

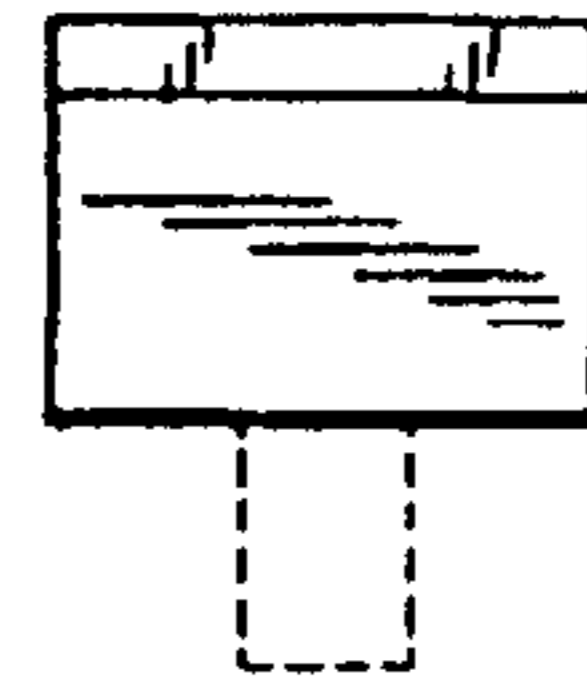


FIG. 2

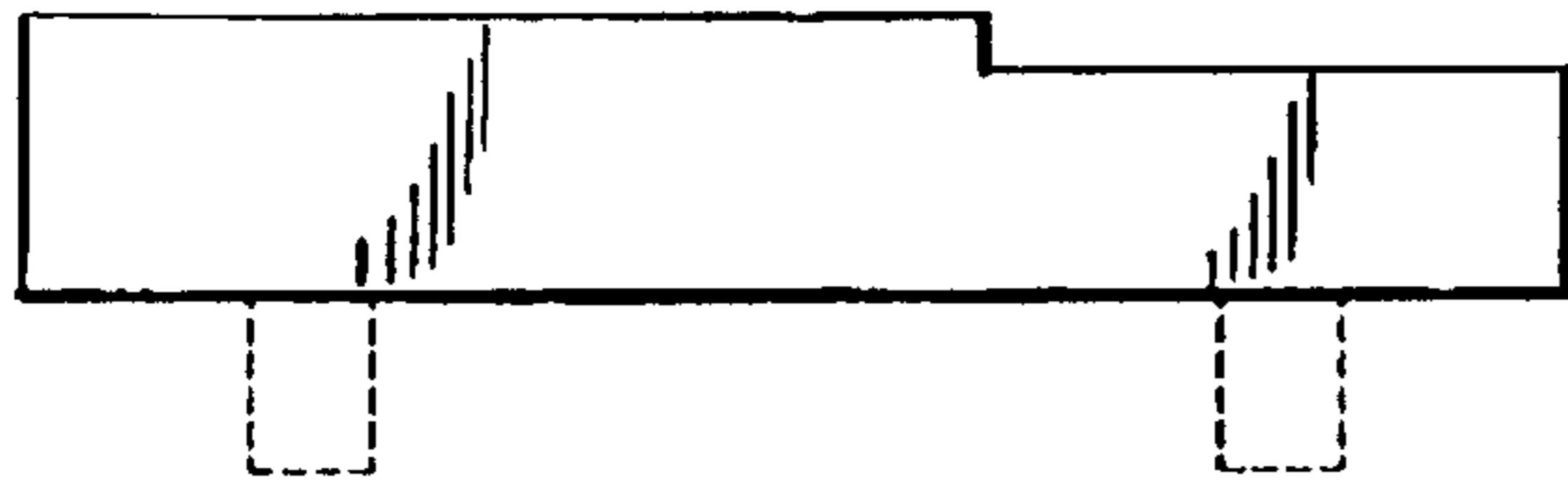


FIG. 3



FIG. 4

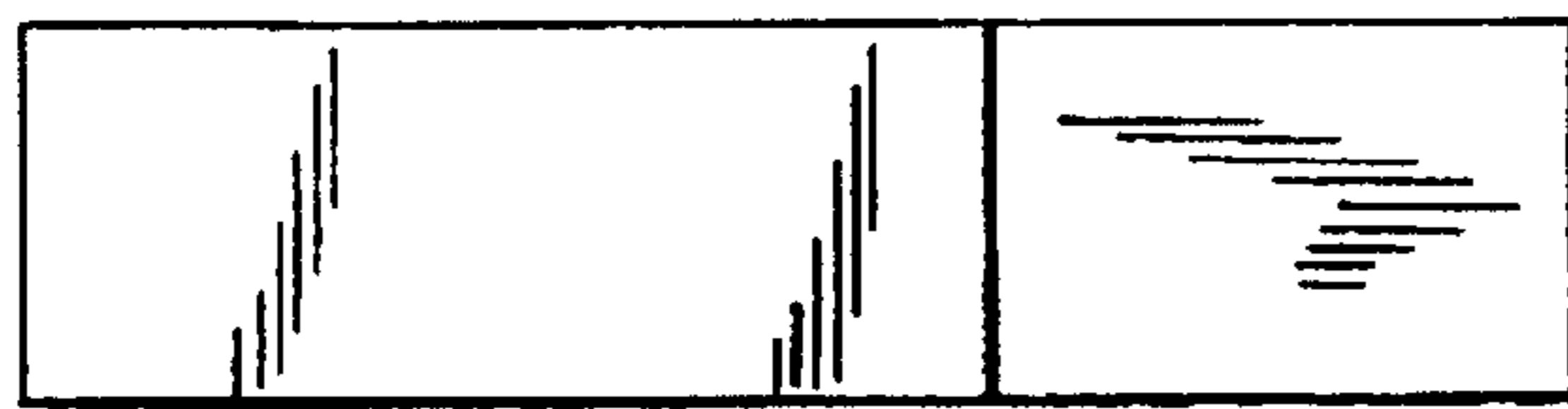


FIG. 5



FIG. 6

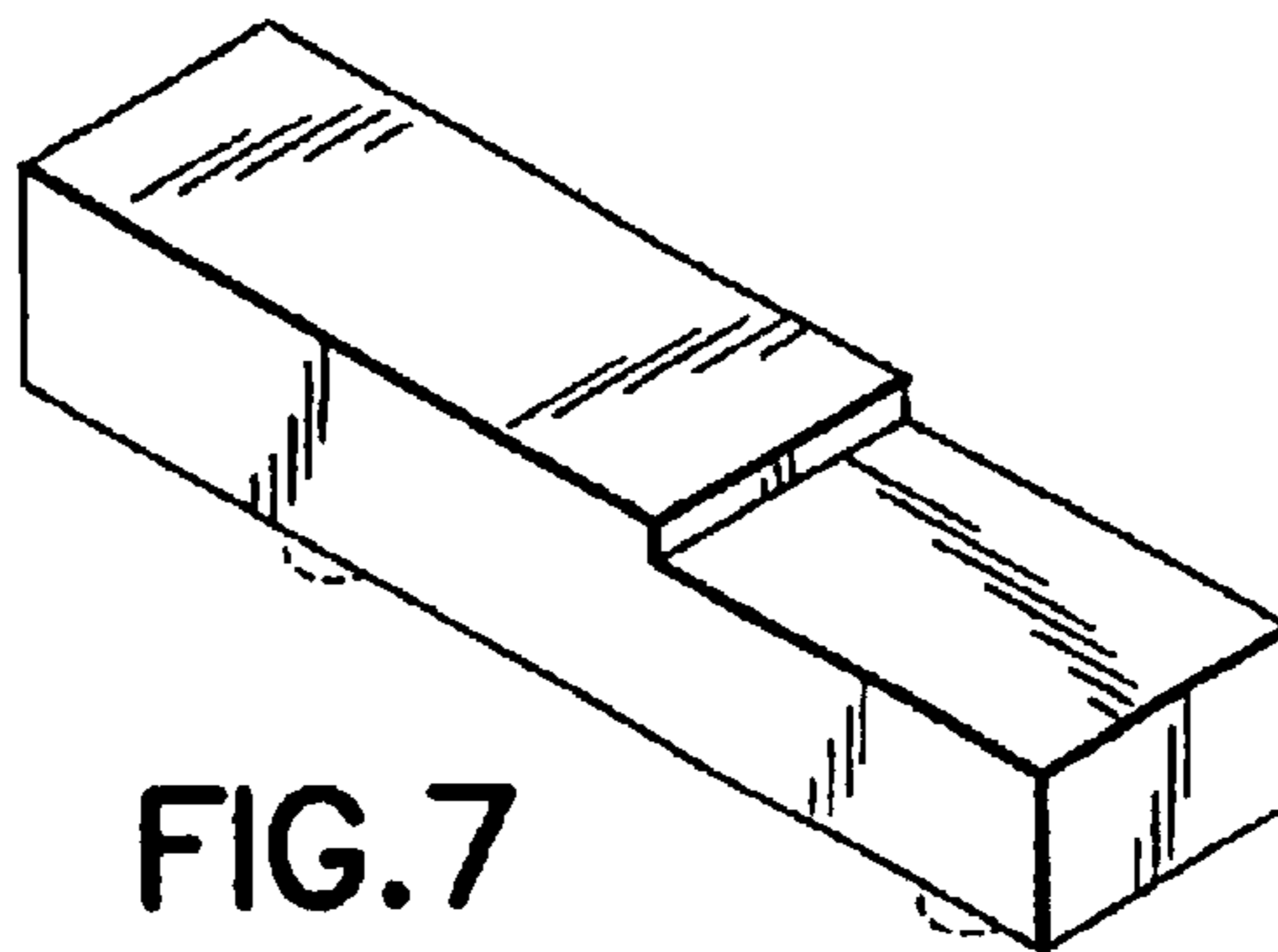


FIG. 7

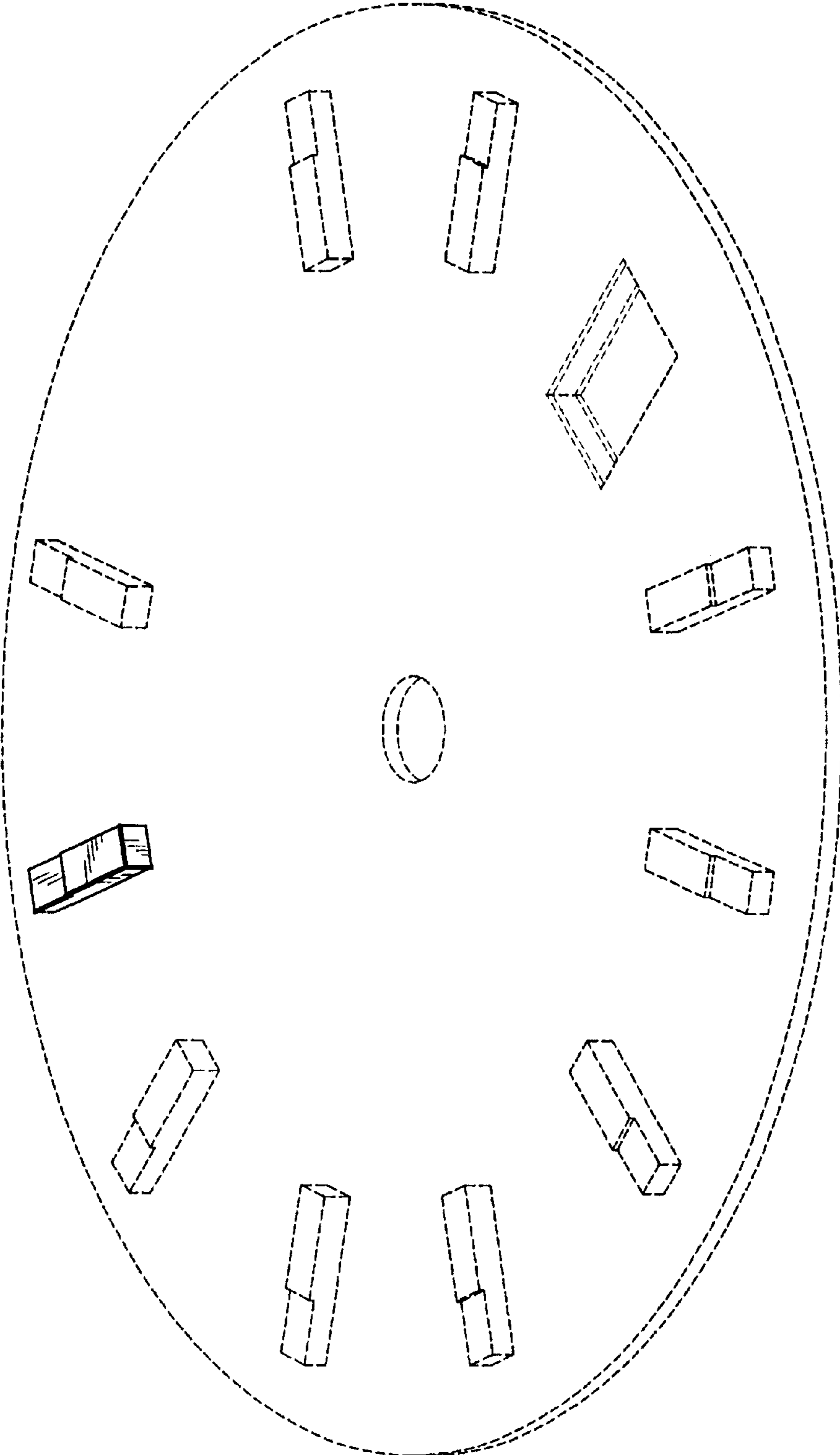


FIG.8