

US00D500952S

(12) **United States Design Patent**
Moore

(10) **Patent No.: US D500,952 S**
(45) **Date of Patent: ** Jan. 18, 2005**

(54) **BULLET-SHAPED CONTAINER**
(75) **Inventor: Robert S. Moore, Liverpool, NY (US)**
(73) **Assignee: Fuhgeddaboudit Family Brands, LLC, Liverpool, NY (US)**
(**) **Term: 14 Years**

D309,339 S * 7/1990 Lutfy D22/116
D356,035 S * 3/1995 Kim D9/503
D357,584 S * 4/1995 Swingler D3/300
D373,297 S * 9/1996 Hill D8/105
D379,925 S * 6/1997 Ma D9/308
D382,196 S * 8/1997 Ma D9/504 X
D418,650 S * 1/2000 Neuhaus D34/1
D469,345 S * 1/2003 Berry et al. D8/397

(21) **Appl. No.: 29/190,472**
(22) **Filed: Sep. 22, 2003**
(51) **LOC (7) Cl. 09-01**
(52) **U.S. Cl. D9/307; D9/504**
(58) **Field of Search D9/307, 308, 338, D9/500, 502-505, 516, 529, 549; D3/558, 674, 680, 202, 229, 234, 254, 271.1, 273, 302, 316; D34/1; 222/4.27, 23.4, 23.83, 561, 761, 766, 770; 206/216; D28/88-90, 73, 75; D22/116**

FOREIGN PATENT DOCUMENTS

GB 2012479 * 3/1993
GB 2045834 * 11/1995
GB 2056297 * 8/1996

* cited by examiner

Primary Examiner—Carol Rademaker
(74) *Attorney, Agent, or Firm*—George R. McGuire; Bond, Schoeneck & King, PLLC

(57) **CLAIM**

The ornamental design for a bullet-shaped container, as shown and described.

(56) **References Cited**

U.S. PATENT DOCUMENTS

D63,015 S * 9/1923 Williams D9/503
D92,786 S * 7/1934 Vivaudou D9/529
D128,848 S * 8/1941 Petzold D28/88
D188,566 S * 8/1960 Morian D9/308
D223,562 S * 5/1972 Madeira D9/308
D235,973 S * 7/1975 Edwards D9/504 X
D243,975 S * 4/1977 Persson D3/300
D285,011 S * 8/1986 Jankewitz D28/7
D293,891 S * 1/1988 Molvik et al. D9/529 X

DESCRIPTION

FIG. 1 is a perspective view of my new design of a bullet-shaped container;
FIG. 2 is an exploded perspective thereof;
FIG. 3 is a top plan view thereof;
FIG. 4 ; is a front elevational view thereof, the side and rear elevation views being identical; and,
FIG. 5 is a bottom plan view thereof.

1 Claim, 1 Drawing Sheet

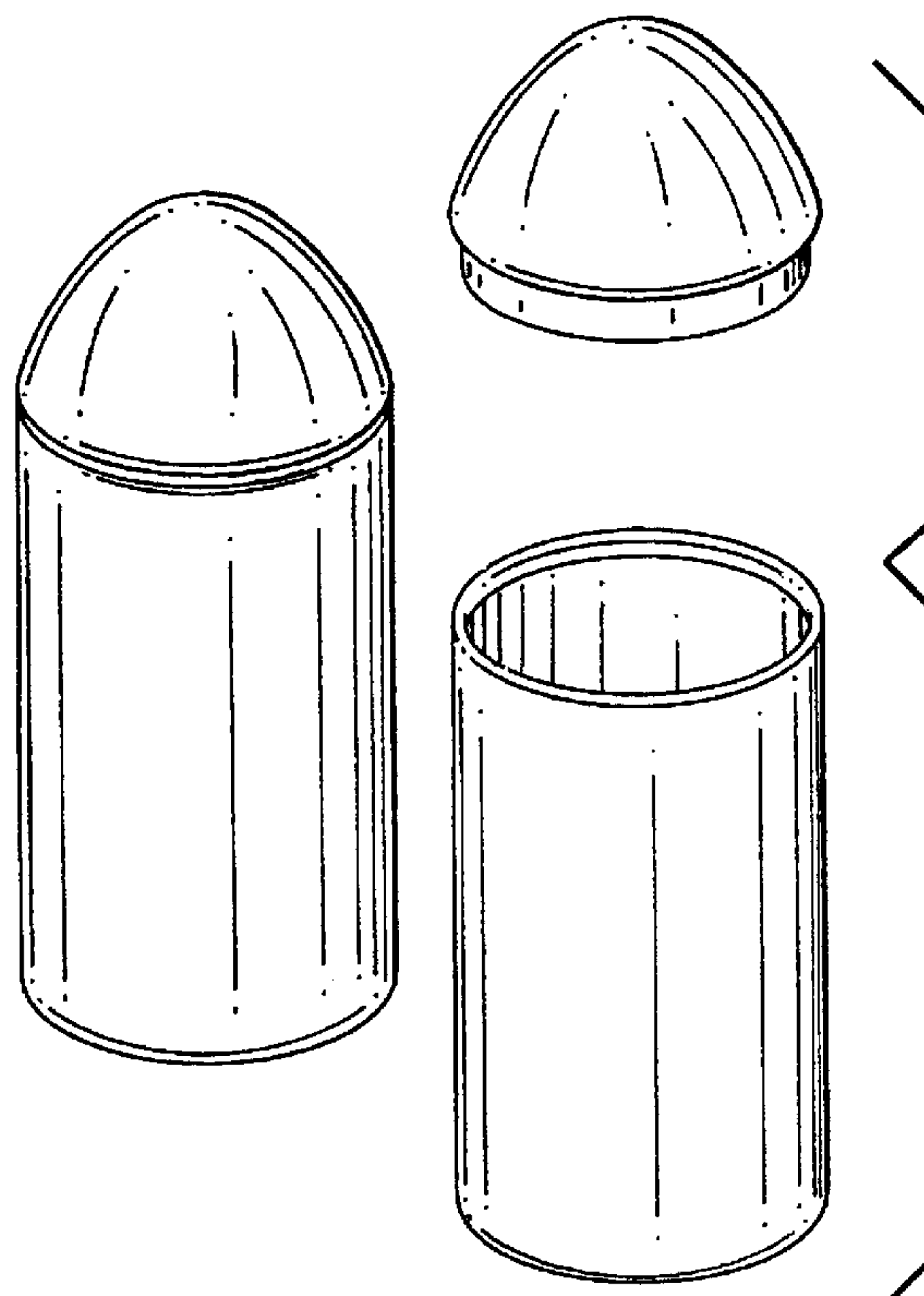


FIG.1

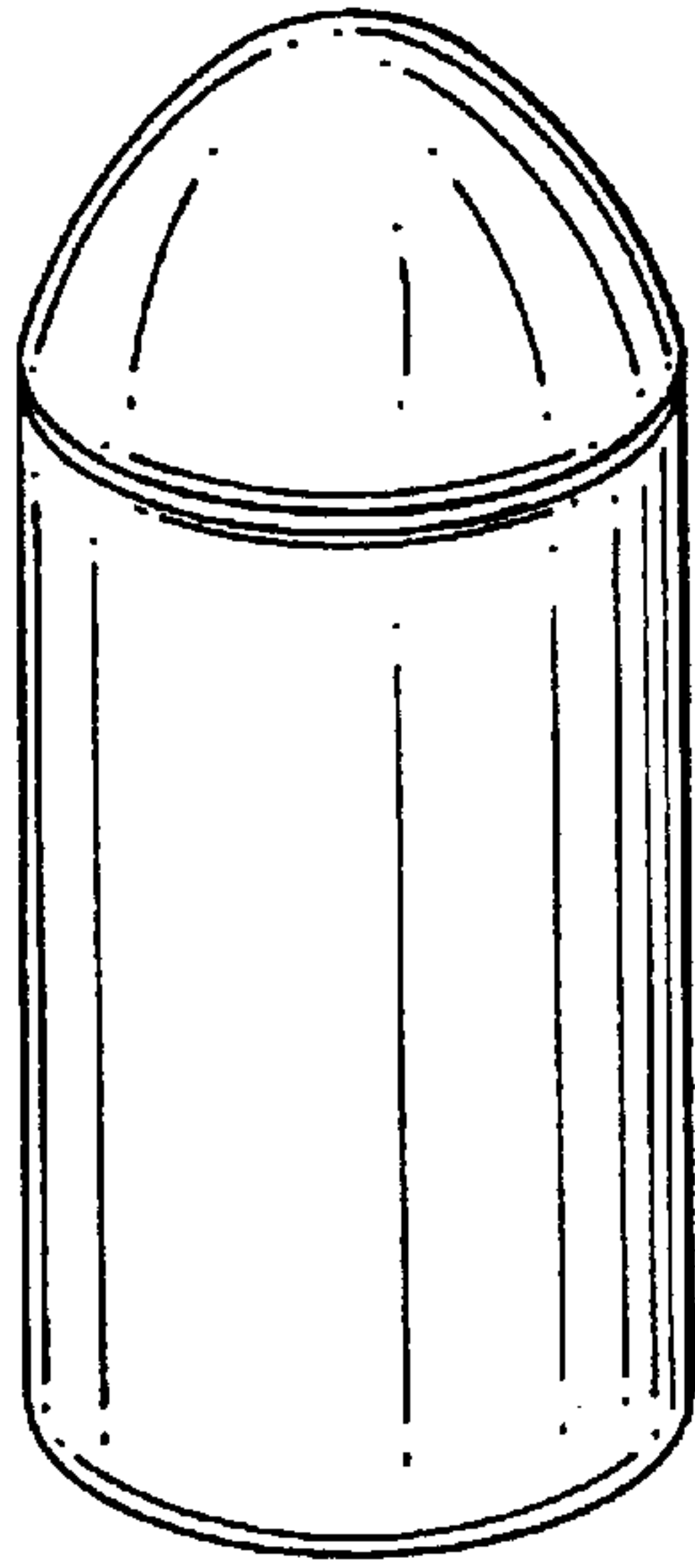


FIG.2

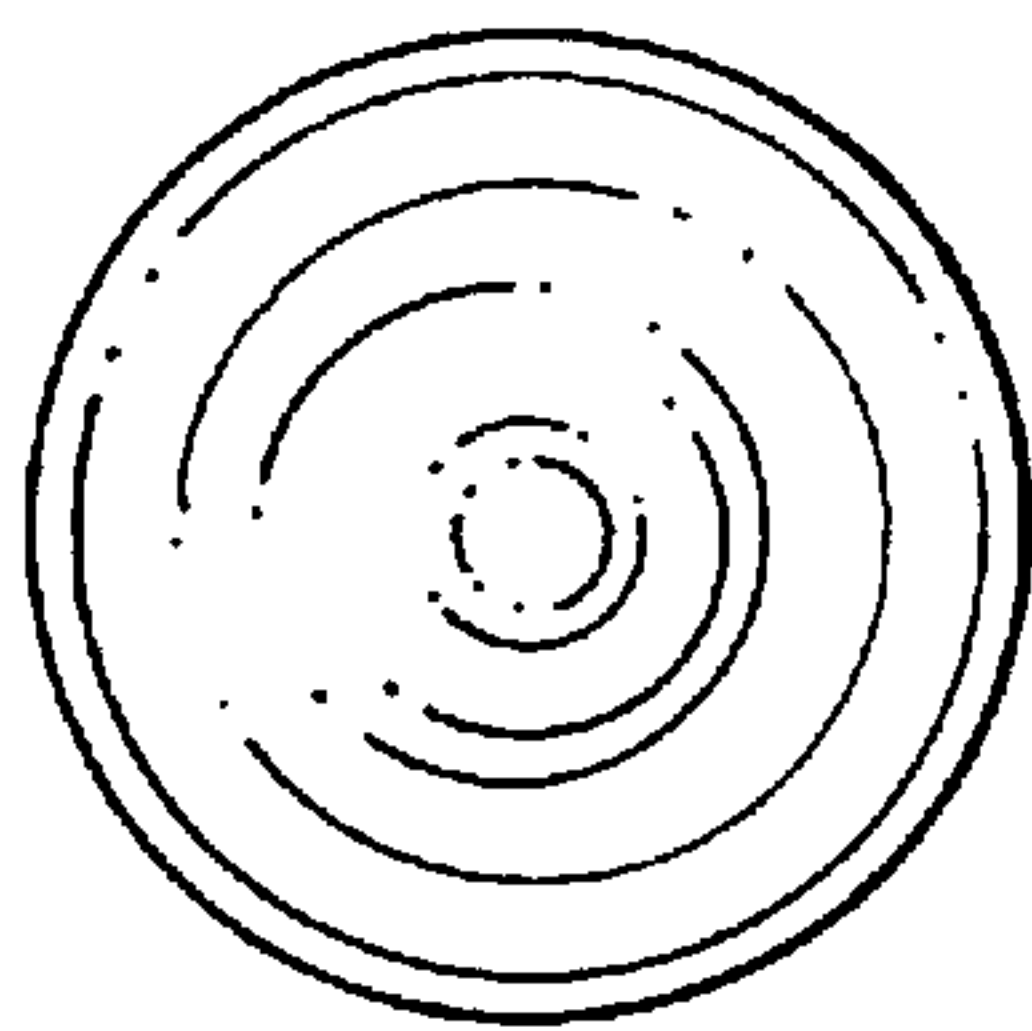
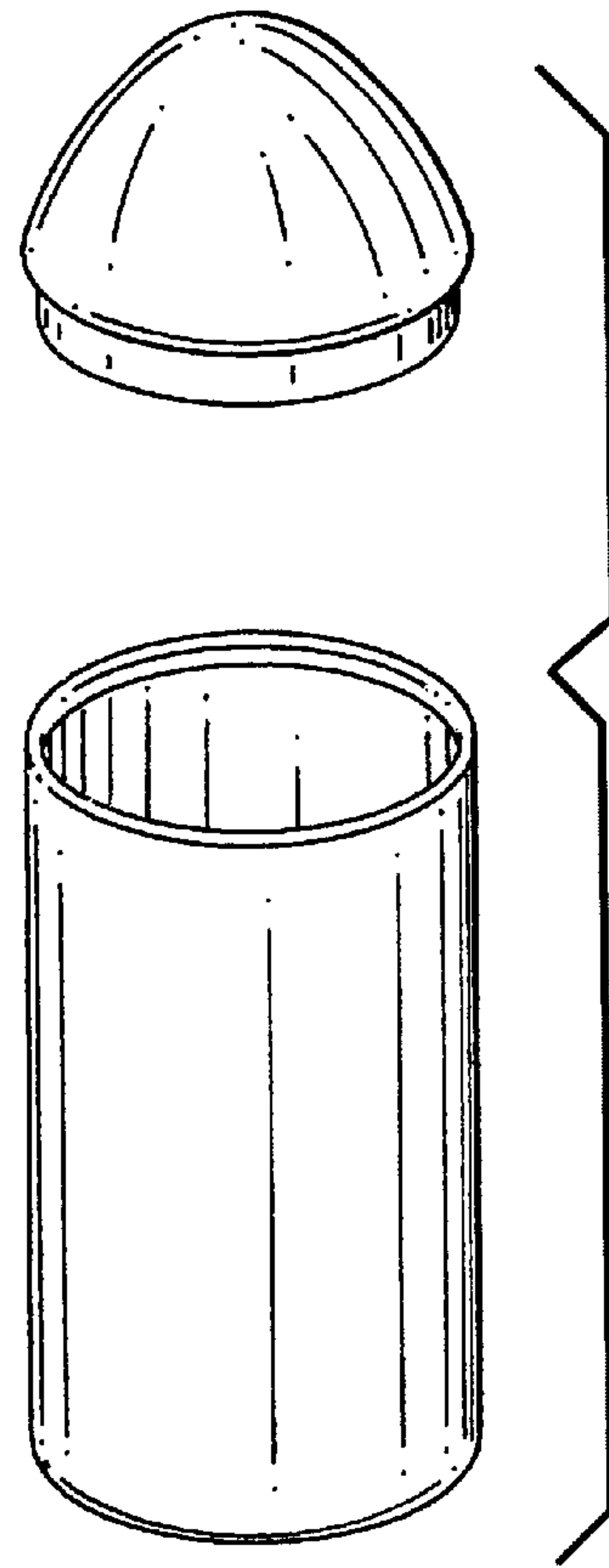


FIG.3

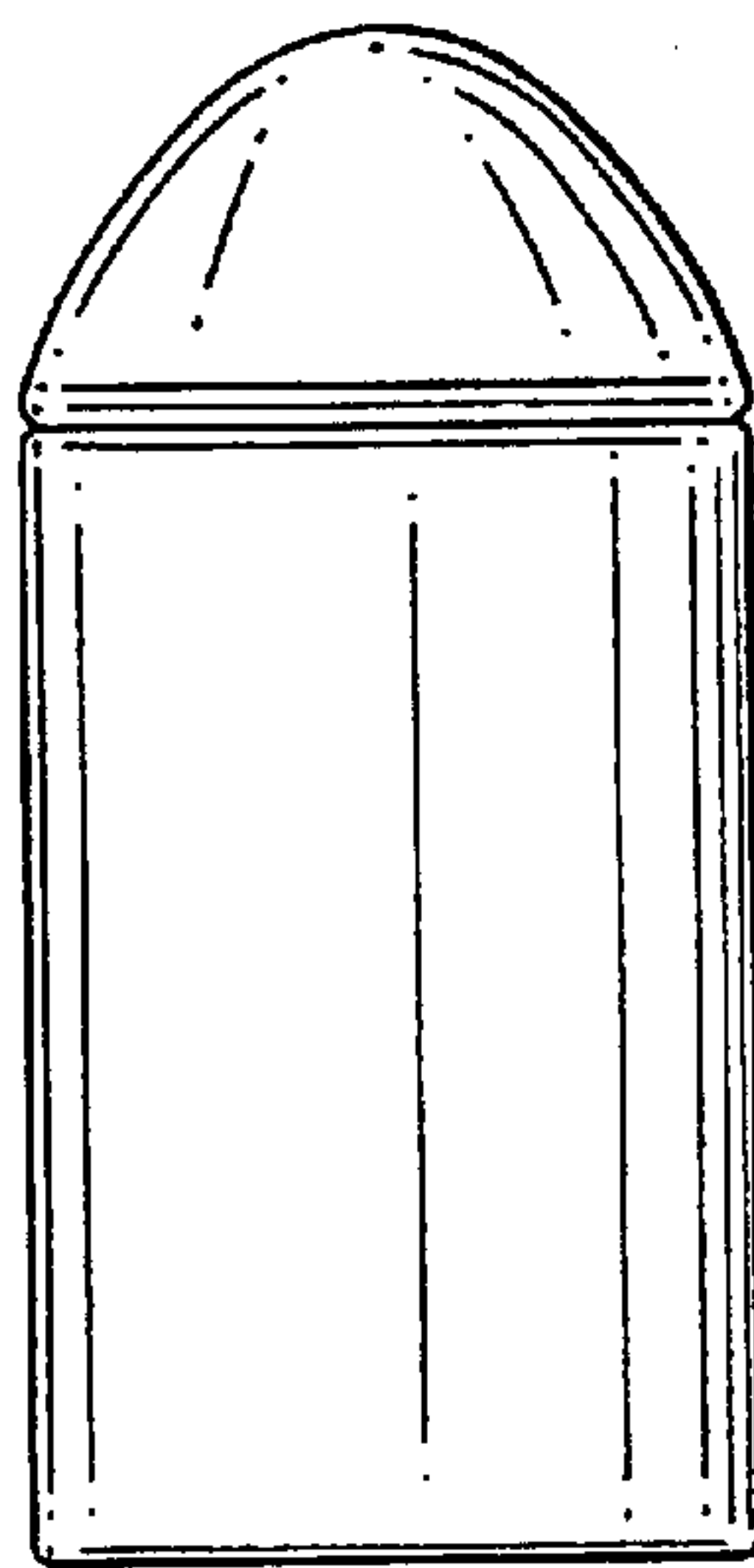


FIG.4

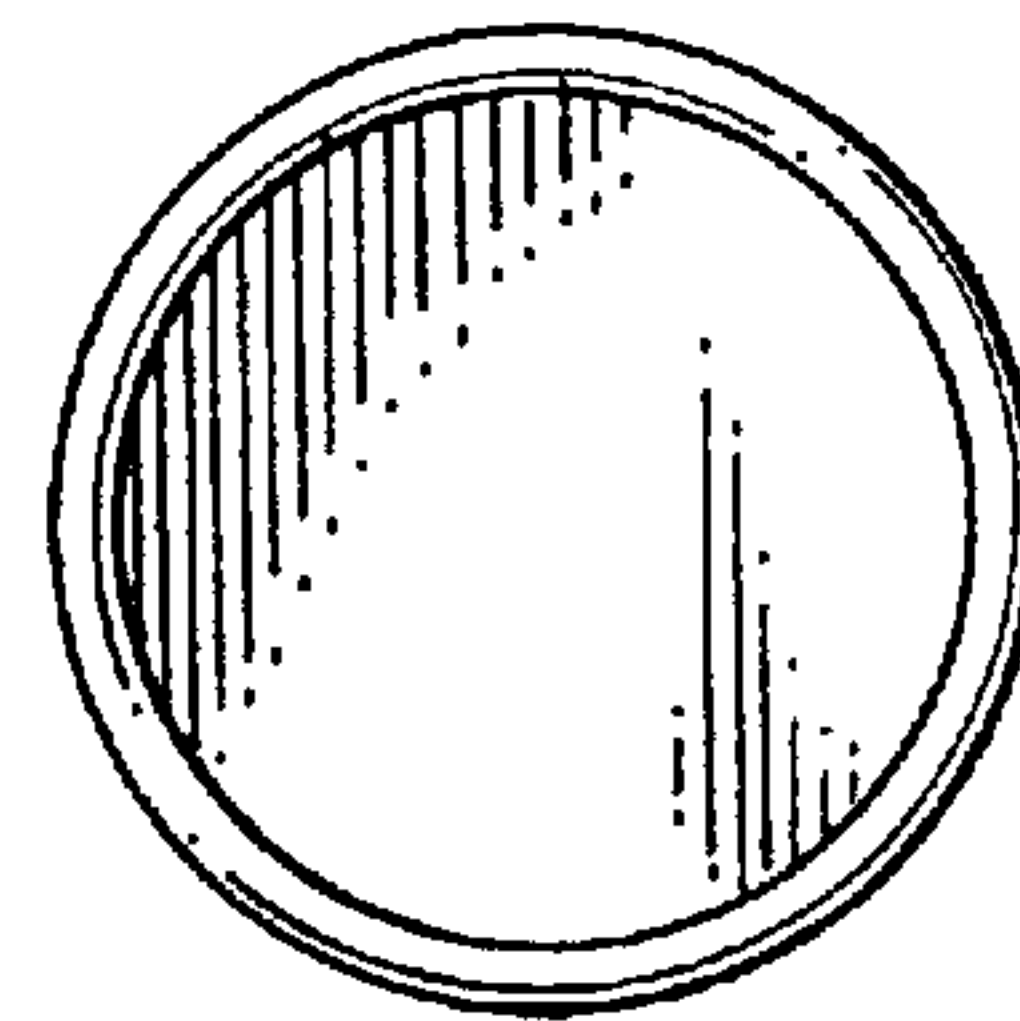


FIG.5