

US00D500948S

(12) **United States Design Patent**  
**Myers et al.**

(10) **Patent No.: US D500,948 S**  
(45) **Date of Patent: \*\* Jan. 18, 2005**

(54) **COMBINATION PIN SLEEVE FOR AN AXIAL PIN TUMBLER LOCK**  
(75) Inventors: **Gary L. Myers**, Monee, IL (US);  
**Richard Paeth**, St. Charles, IL (US);  
**Catalin Captarencu**, Wheeling, IL (US);  
**Calin V. Roatis**, Long Grove, IL (US)

(73) Assignee: **TriTeq Lock and Security, L.L.C.**, Elk Grove Village, IL (US)

(\*\*) Term: **14 Years**

(21) Appl. No.: **29/195,753**

(22) Filed: **Dec. 17, 2003**

(51) **LOC (7) Cl.** ..... **08-07**

(52) **U.S. Cl.** ..... **D8/343**

(58) **Field of Search** ..... D8/330, 331, 343, D8/339, 334; 70/51, 288, 291, 295, 296, 431, 141, 220, 219, 315-319; 292/261, 288, 299, 356

(56) **References Cited**

**U.S. PATENT DOCUMENTS**

D31,583 S \* 10/1899 Arnold ..... D8/343

2,189,432 A \* 2/1940 Moore et al. .... 182/15  
3,462,981 A \* 8/1969 Leblanc ..... 70/156  
3,777,519 A \* 12/1973 Germanton ..... 70/220  
4,689,978 A \* 9/1987 Drummond ..... 70/431  
D433,309 S \* 11/2000 Johansson et al. .... D8/331  
6,386,005 B1 \* 5/2002 Kuo ..... 70/28  
6,422,051 B1 \* 7/2002 Kuo ..... 70/312  
D469,680 S \* 2/2003 Laabs et al. .... D8/343

\* cited by examiner

*Primary Examiner*—Prabhakar Deshmukh

(74) *Attorney, Agent, or Firm*—Leydig, Voit & Mayer, Ltd.

(57) **CLAIM**

The ornamental design for a combination pin sleeve for an axial pin tumbler lock, substantially as shown and described.

**DESCRIPTION**

FIG. 1 is a top, front and right perspective view of a combination pin sleeve for an axial pin tumbler lock showing our new design. The dotted line portions are for reference only and do not form a part of our design; FIG. 2 is a side elevational view thereof; FIG. 3 is a front elevational view thereof; and, FIG. 4 is a rear elevational view thereof.

**1 Claim, 1 Drawing Sheet**

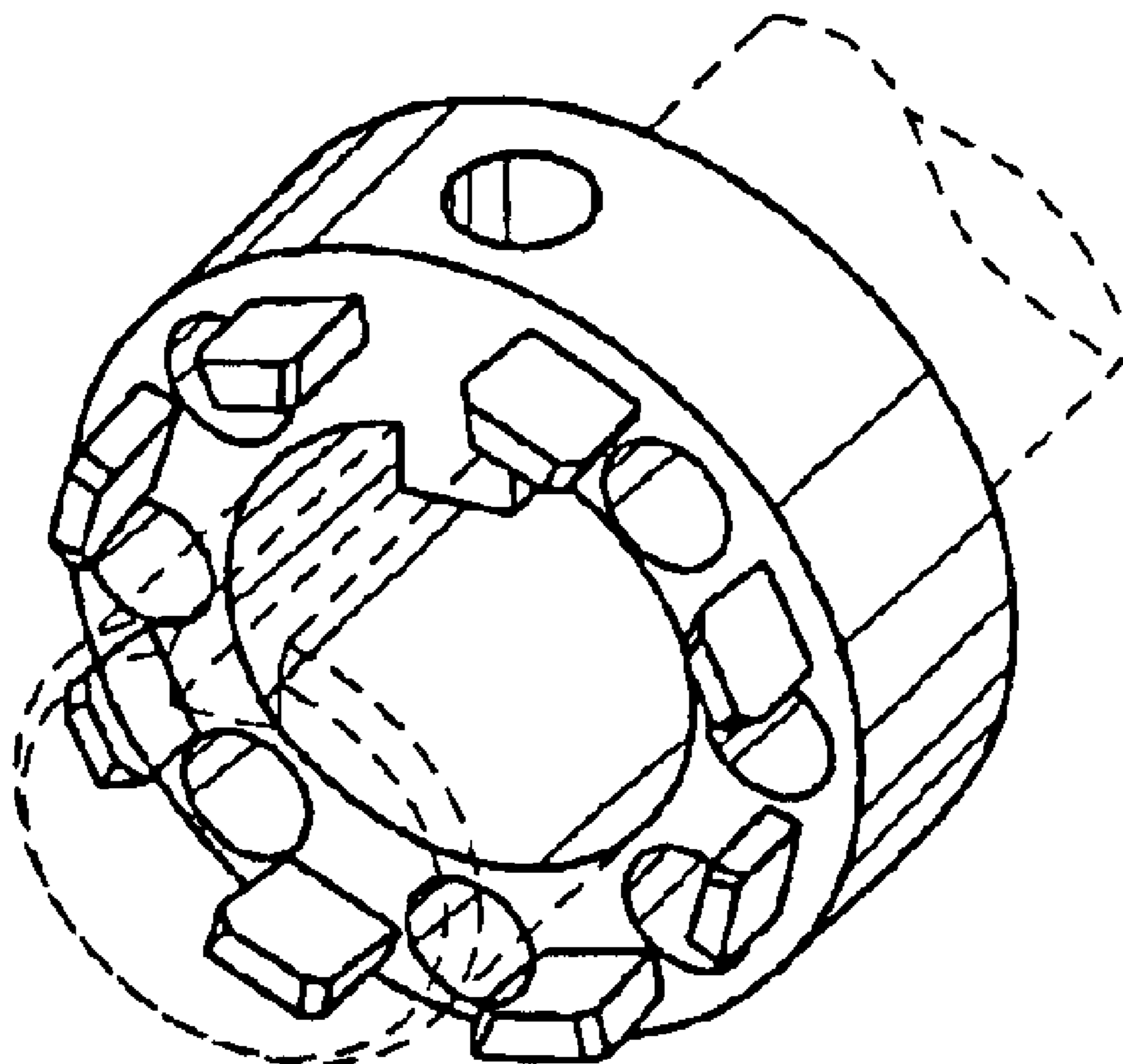


FIG. 1

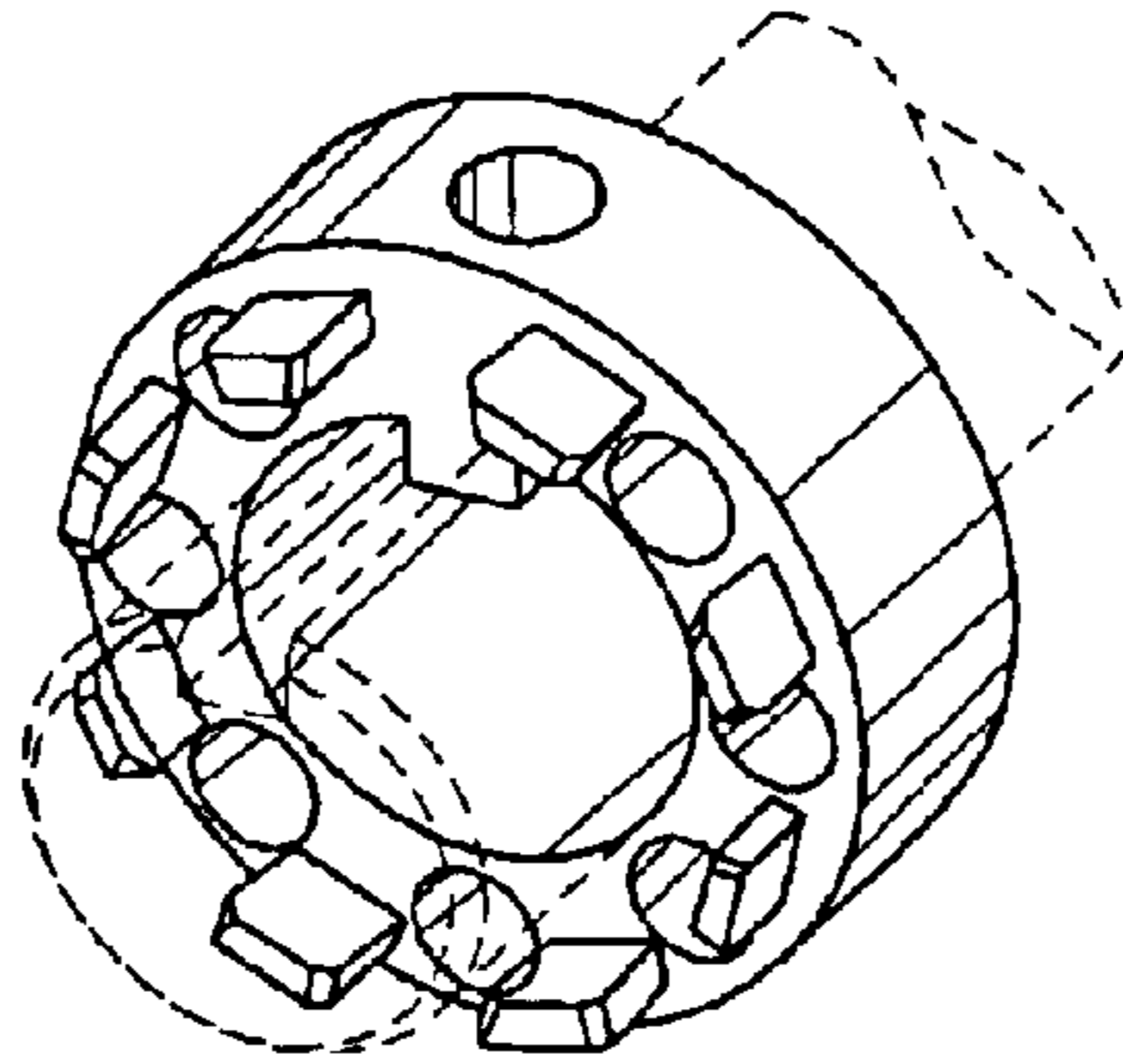


FIG. 3

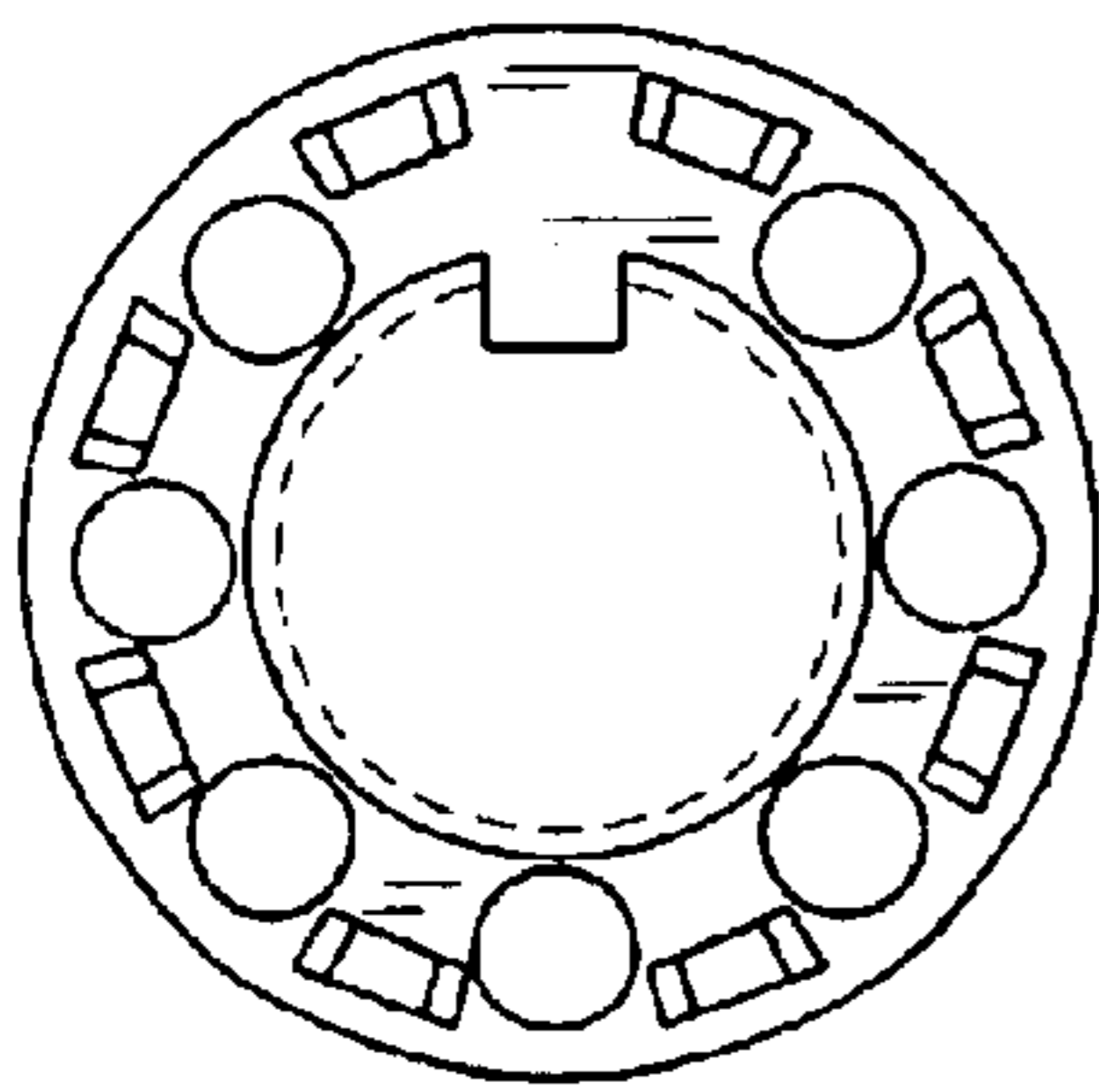


FIG. 2

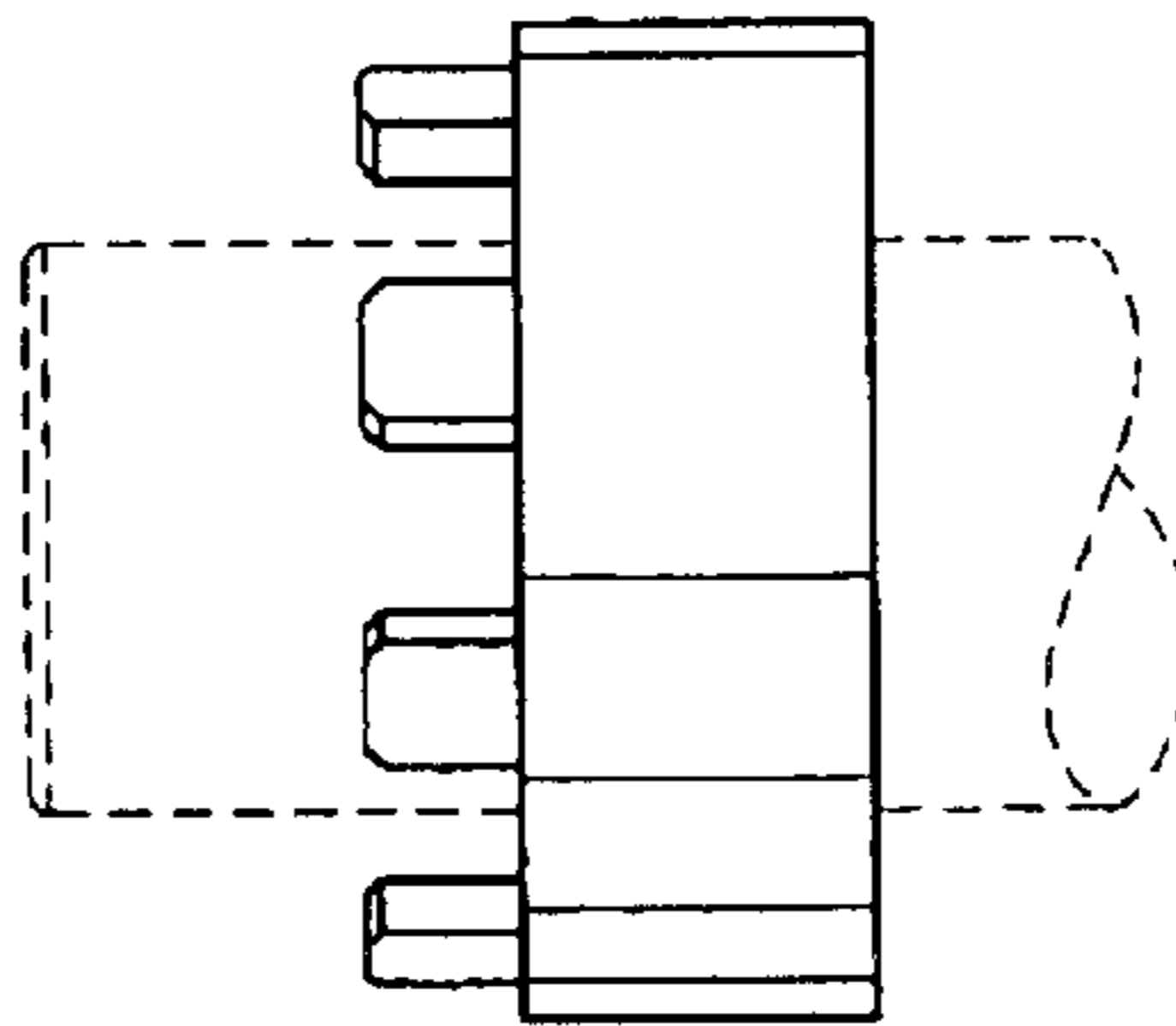


FIG. 4

