

US00D500945S

(12) **United States Design Patent**  
**Wright**

(10) **Patent No.:** **US D500,945 S**

(45) **Date of Patent:** **\*\* Jan. 18, 2005**

(54) **POWER TOOL**

(75) **Inventor:** **Stuart J. Wright**, Timonium, MD (US)

(73) **Assignee:** **Black & Decker Inc.**, Newark, DE (US)

(\*\*) **Term:** **14 Years**

(21) **Appl. No.:** **29/182,899**

(22) **Filed:** **Jun. 2, 2003**

(51) **LOC (7) Cl.** ..... **08-01**

(52) **U.S. Cl.** ..... **D8/62**

(58) **Field of Search** ..... D8/61, 62, 67,  
D8/69; 173/170, 171; 310/50; 451/344,  
351, 352, 353, 354, 355, 356, 357, 358,  
359, 451

(56) **References Cited**

**U.S. PATENT DOCUMENTS**

D295,824 S	*	5/1988	Hoshino et al.	.....	D8/62
D297,907 S	*	10/1988	Hoshimo et al.	.....	D8/62
D351,772 S	*	10/1994	Price	.....	D8/62
D408,244 S	*	4/1999	Price	.....	D8/62

6,120,362 A	*	9/2000	Etter et al.	.....	451/354
D433,906 S	*	11/2000	Heun	.....	D8/62
6,306,024 B1	*	10/2001	Kai et al.	.....	451/357
D453,098 S	*	1/2002	Pretzell	.....	D8/62
D479,452 S	*	9/2003	Cho	.....	D8/62

\* cited by examiner

*Primary Examiner*—Caron D. Veynar

*Assistant Examiner*—Elizabeth Albert

(74) *Attorney, Agent, or Firm*—Adan Ayala

(57) **CLAIM**

The ornamental design for a power tool, as shown and described.

**DESCRIPTION**

FIG. 1 is a perspective view of a power tool showing the new design.

FIG. 2 is a left side elevational view thereof.

FIG. 3 is a right side elevational view thereof.

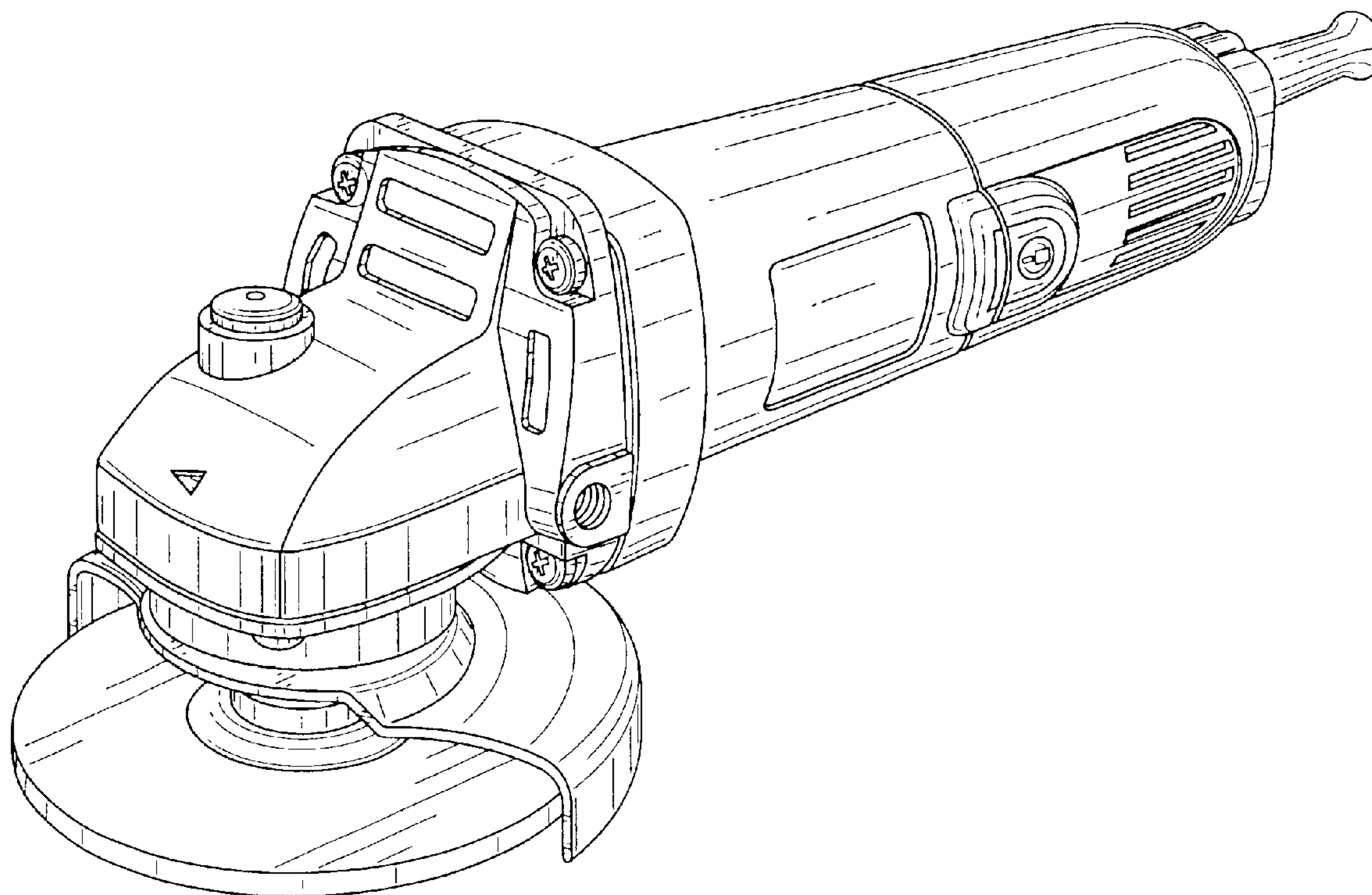
FIG. 4 is a front elevational view thereof.

FIG. 5 is a rear elevational view thereof.

FIG. 6 is a top plan view thereof; and,

FIG. 7 is a bottom plan view thereof.

**1 Claim, 5 Drawing Sheets**



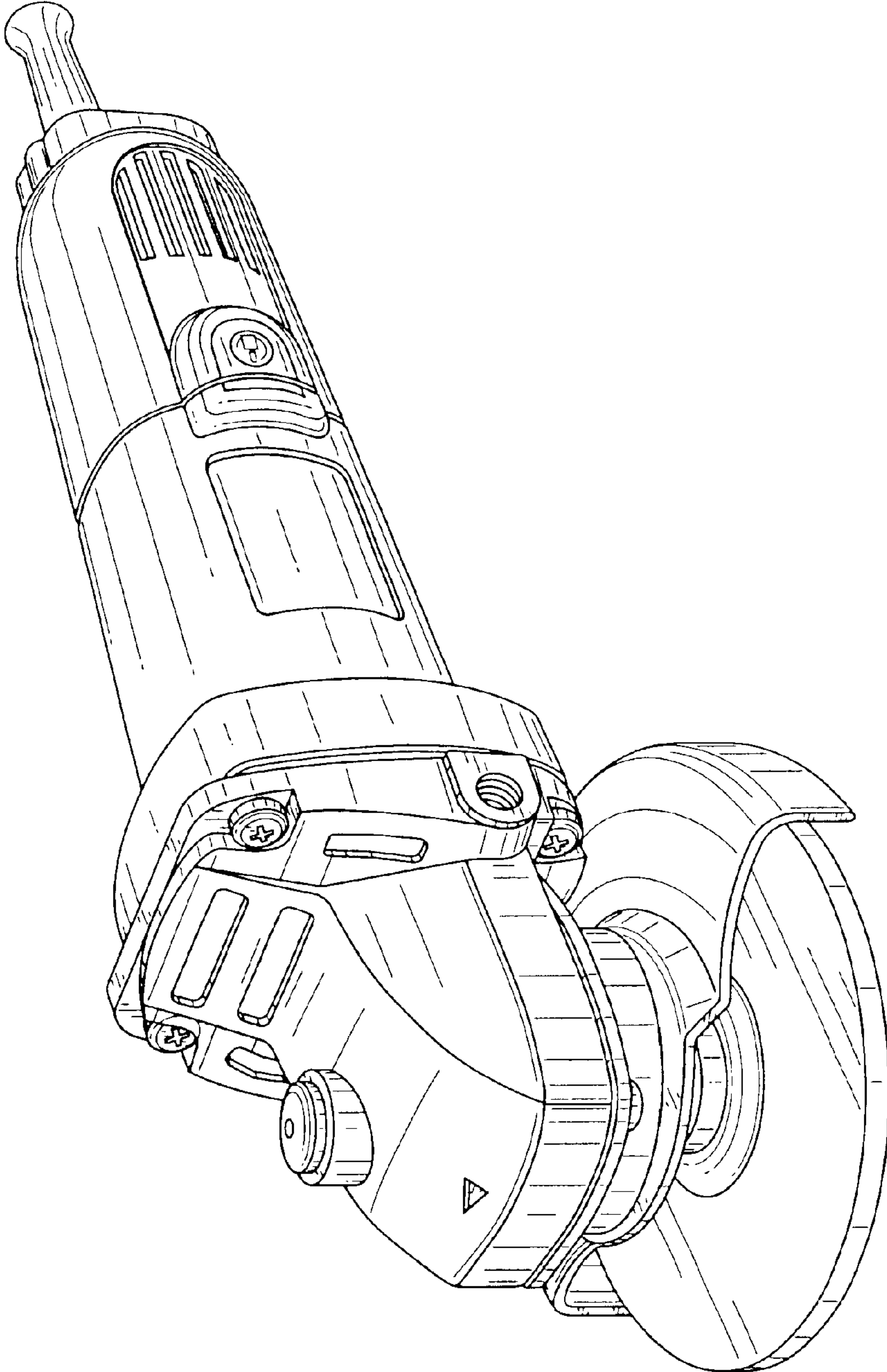


FIG. 1

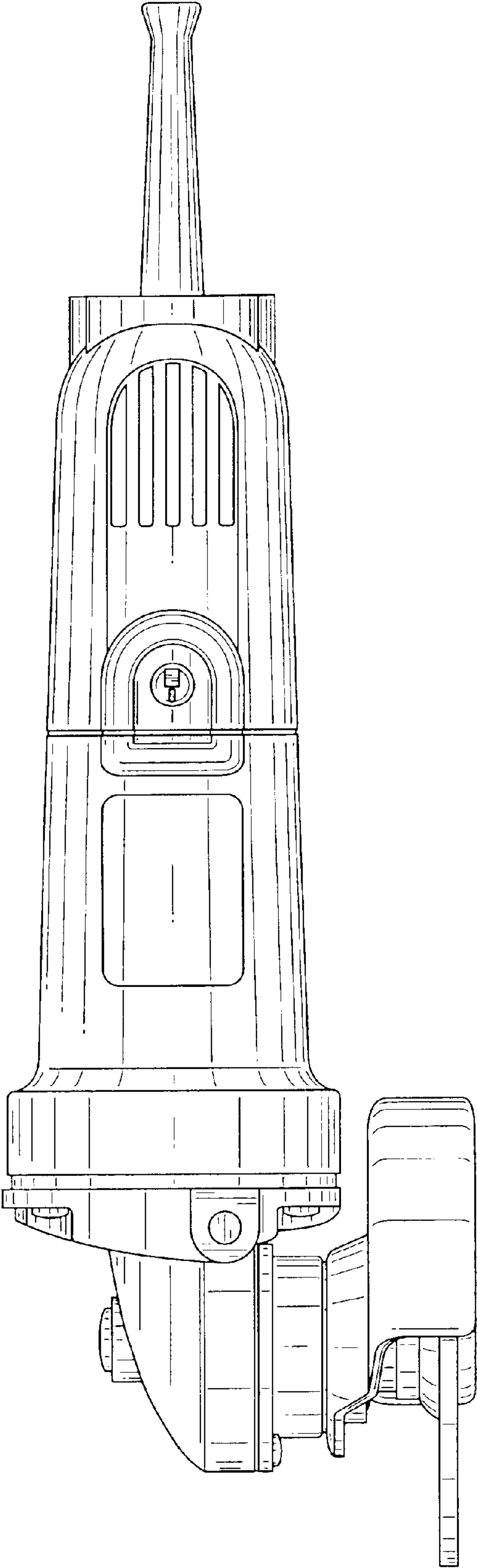


FIG. 2

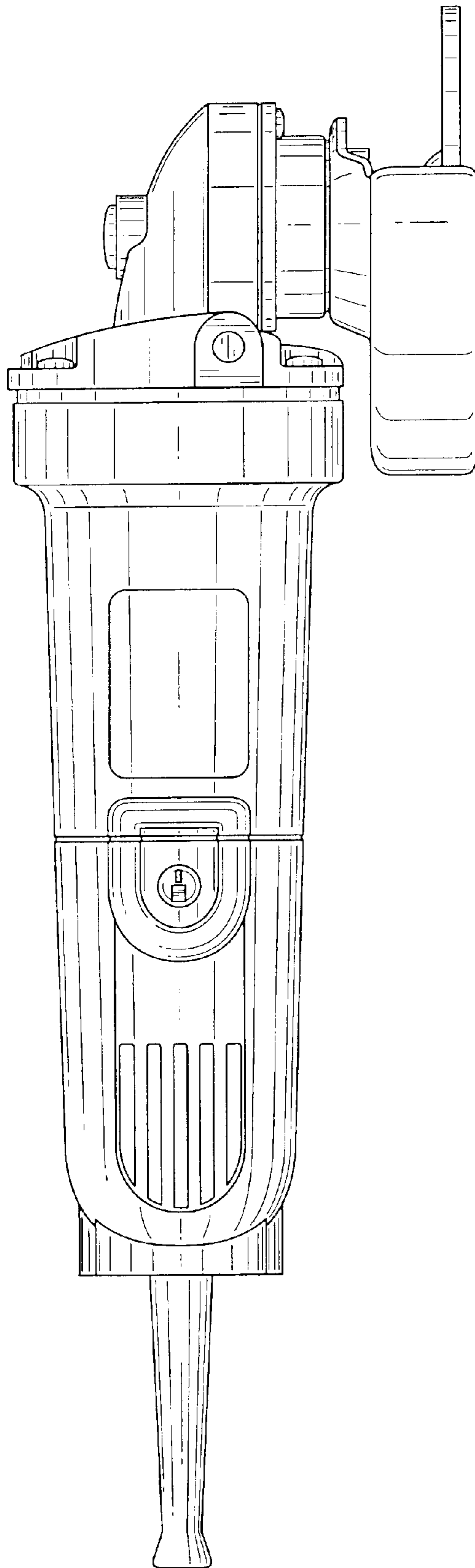


FIG. 3

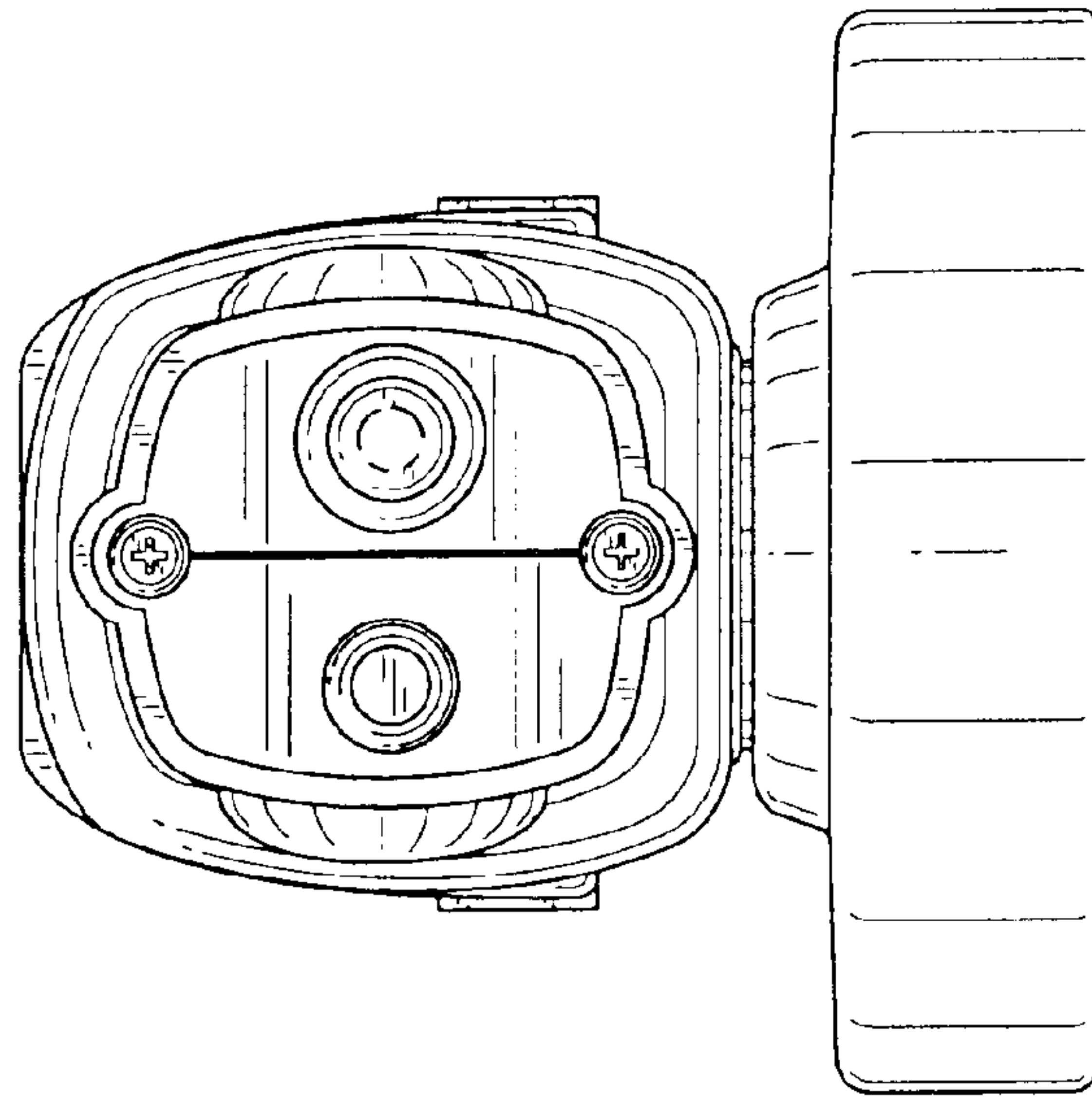


FIG. 5

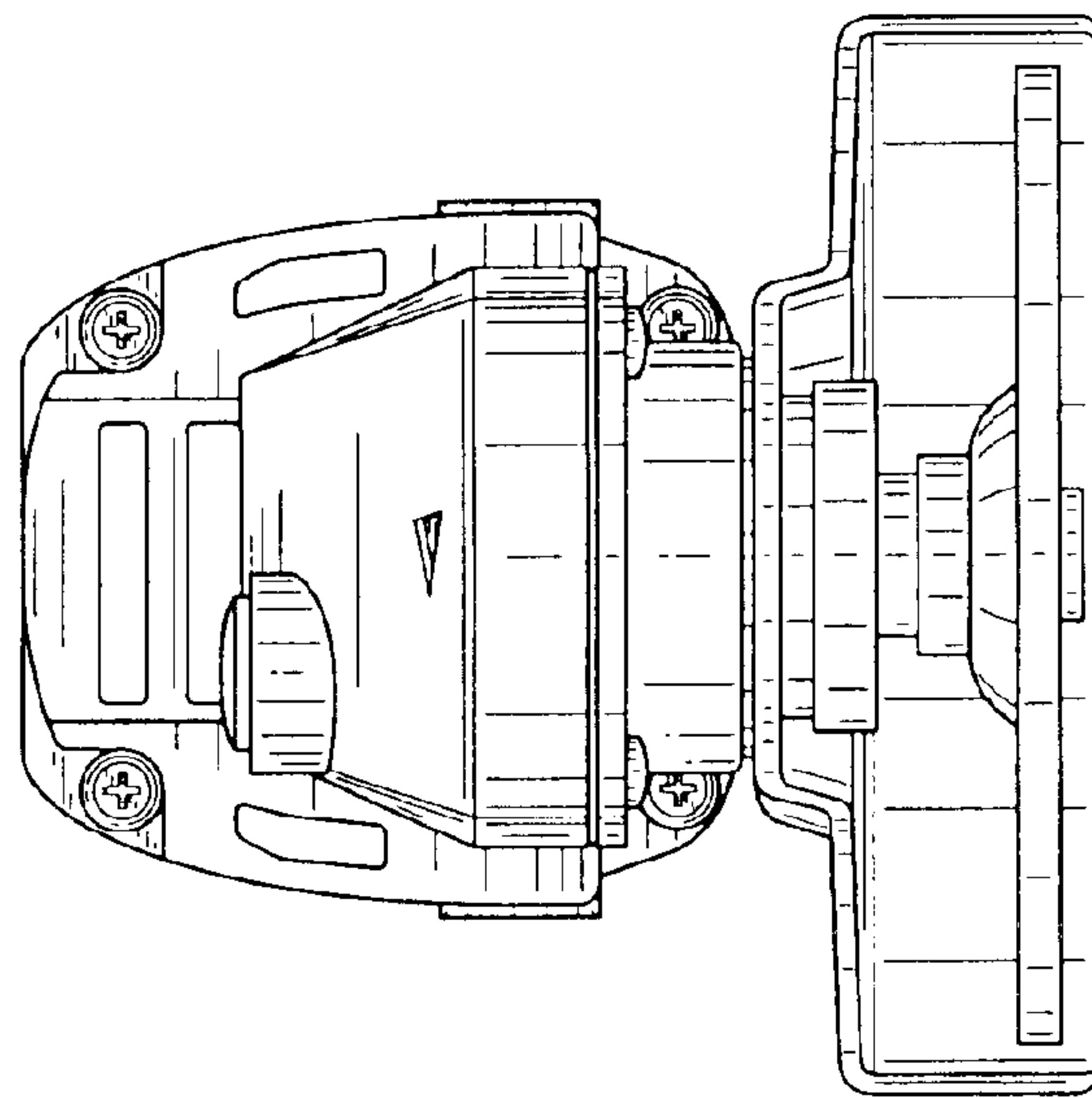


FIG. 4

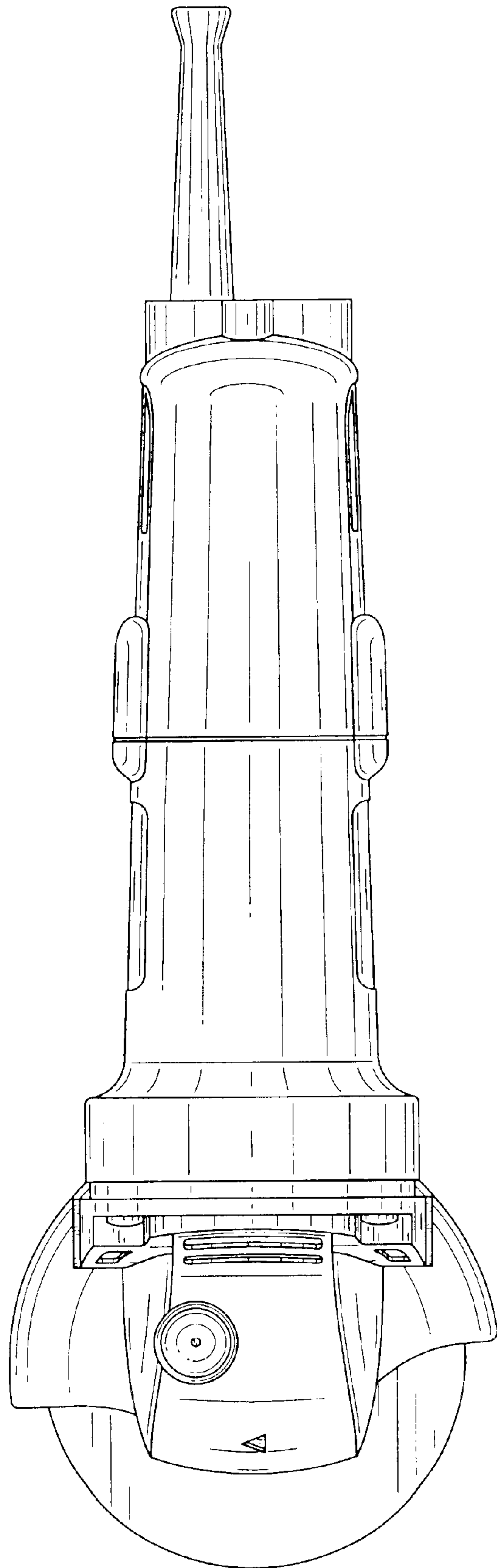


FIG. 6