

US00D500943S

(12) **United States Design Patent**
Orozco

(10) **Patent No.:** **US D500,943 S**

(45) **Date of Patent:** **** Jan. 18, 2005**

(54) **MULTI PURPOSE GARDENING TOOL**

D370,603 S 6/1996 Lampman
5,809,760 A * 9/1998 Rexroat 56/400.05

(76) **Inventor:** **Chris P. Orozco**, 9055 Alayne Spring Rd., Tucson, AZ (US) 85736

* cited by examiner

(**) **Term:** **14 Years**

Primary Examiner—Holly Baynham
(74) *Attorney, Agent, or Firm*—Crossley Patent Law; Mark Ashley Crossley

(21) **Appl. No.:** **29/204,928**

(22) **Filed:** **May 7, 2004**

(57) **CLAIM**

(51) **LOC (7) Cl.** **08-13**

The ornamental design for a multi purpose gardening tool, as shown and described.

(52) **U.S. Cl.** **D8/13**

(58) **Field of Search** D8/13; 56/400.01, 56/400.05, 400.21

DESCRIPTION

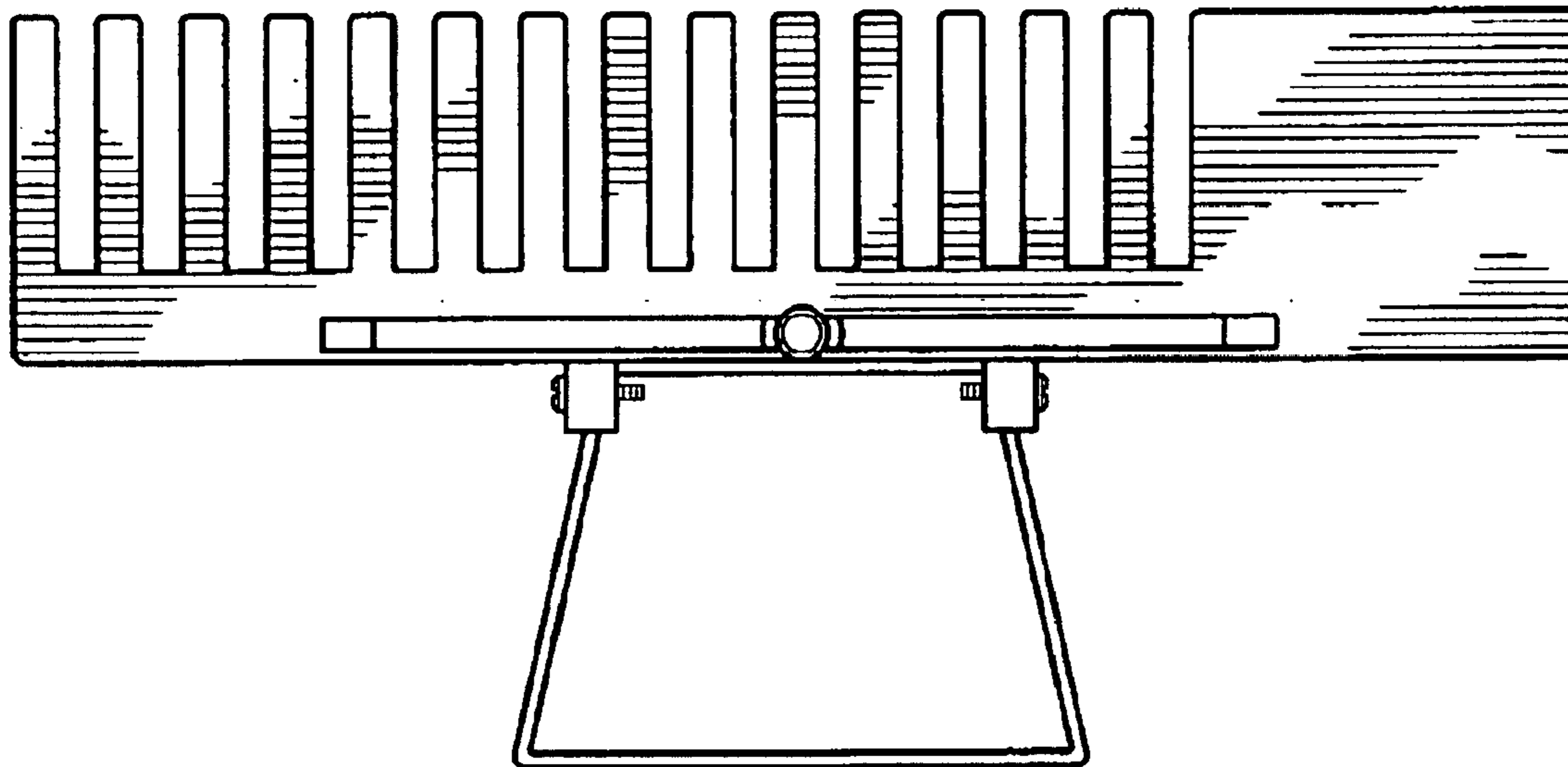
(56) **References Cited**

U.S. PATENT DOCUMENTS

1,469,144 A	9/1923	Harris	
1,734,861 A	* 11/1929	Knott	56/400.05
D133,489 S	* 8/1942	Wurster	D8/6
2,726,504 A	* 12/1955	Paluska	56/400.05
2,795,923 A	* 6/1957	Kapuczin	56/400.05
5,025,621 A	6/1991	DeMarco	

FIG. 1 is a top view of my invention showing my new design;
FIG. 2 is a bottom view of the invention;
FIG. 3 is a left side view of the embodiment of FIG. 1;
FIG. 4 is a front view of the embodiment of FIG. 1;
FIG. 5 is a rear view of my invention; and,
FIG. 6 is a perspective view of my invention showing my new design.

1 Claim, 5 Drawing Sheets



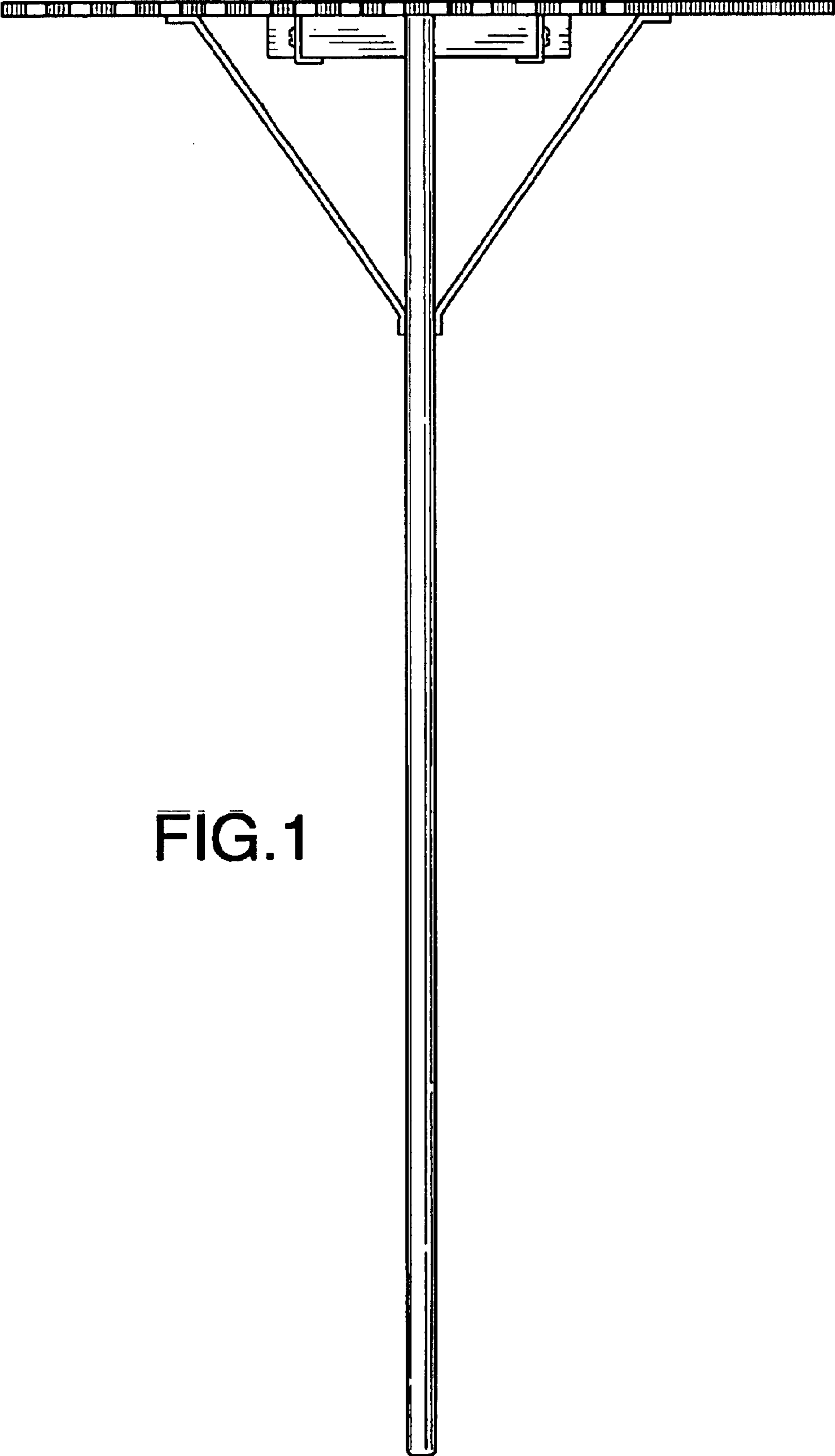


FIG.1

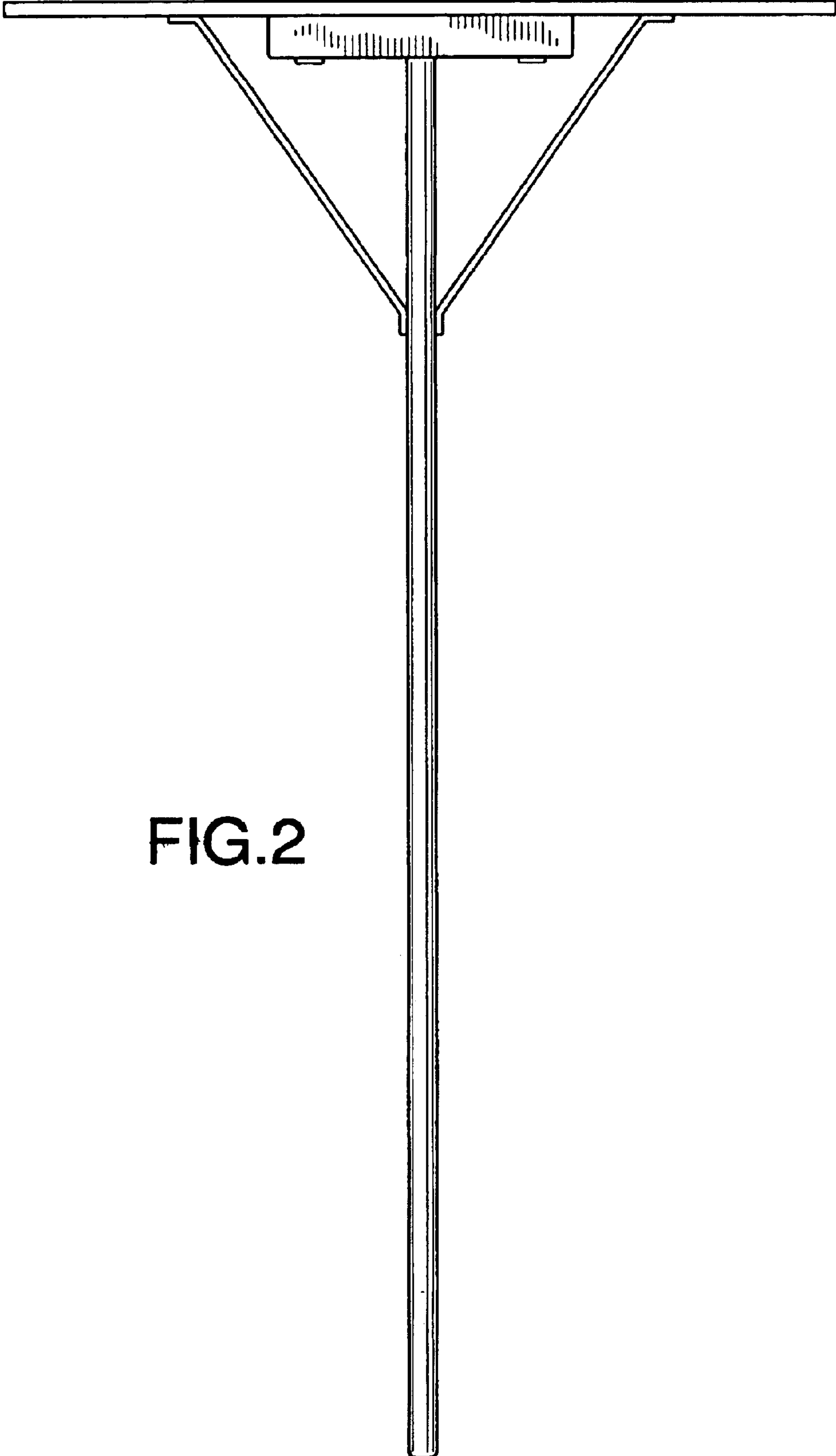


FIG.2

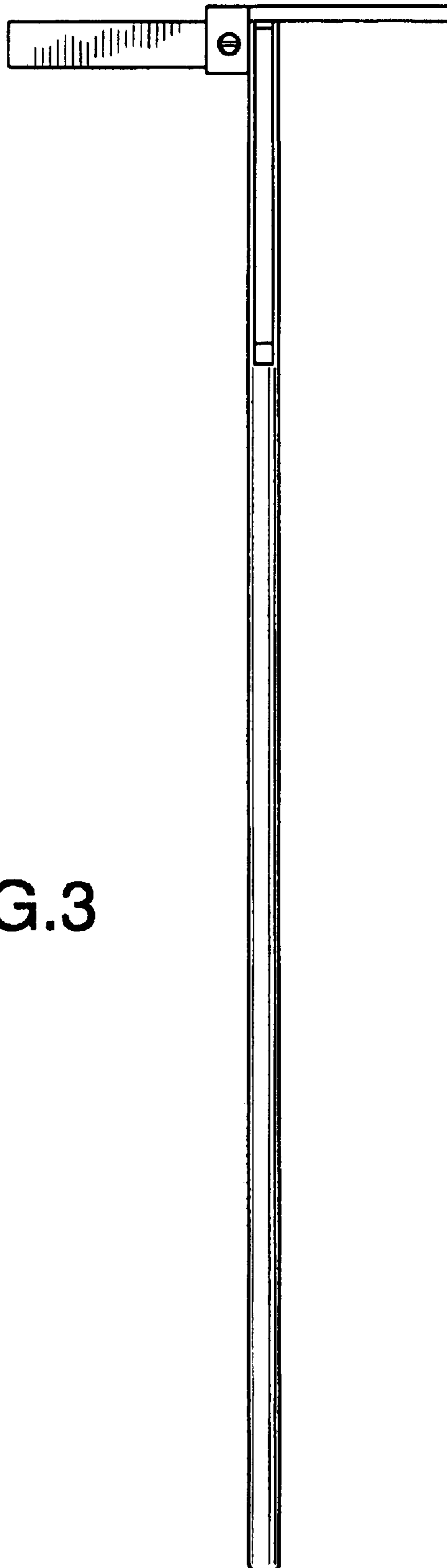


FIG.3

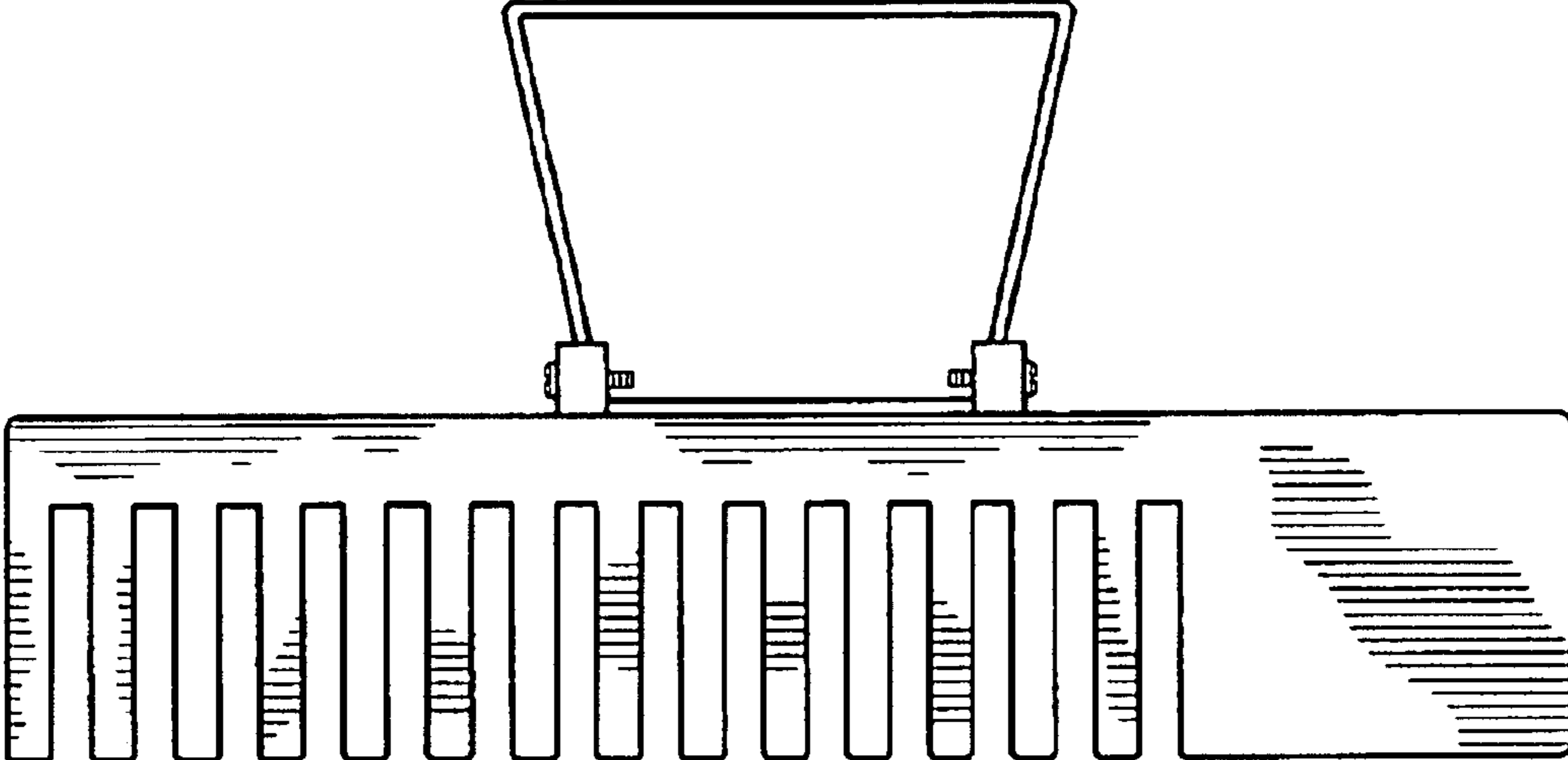


FIG. 4

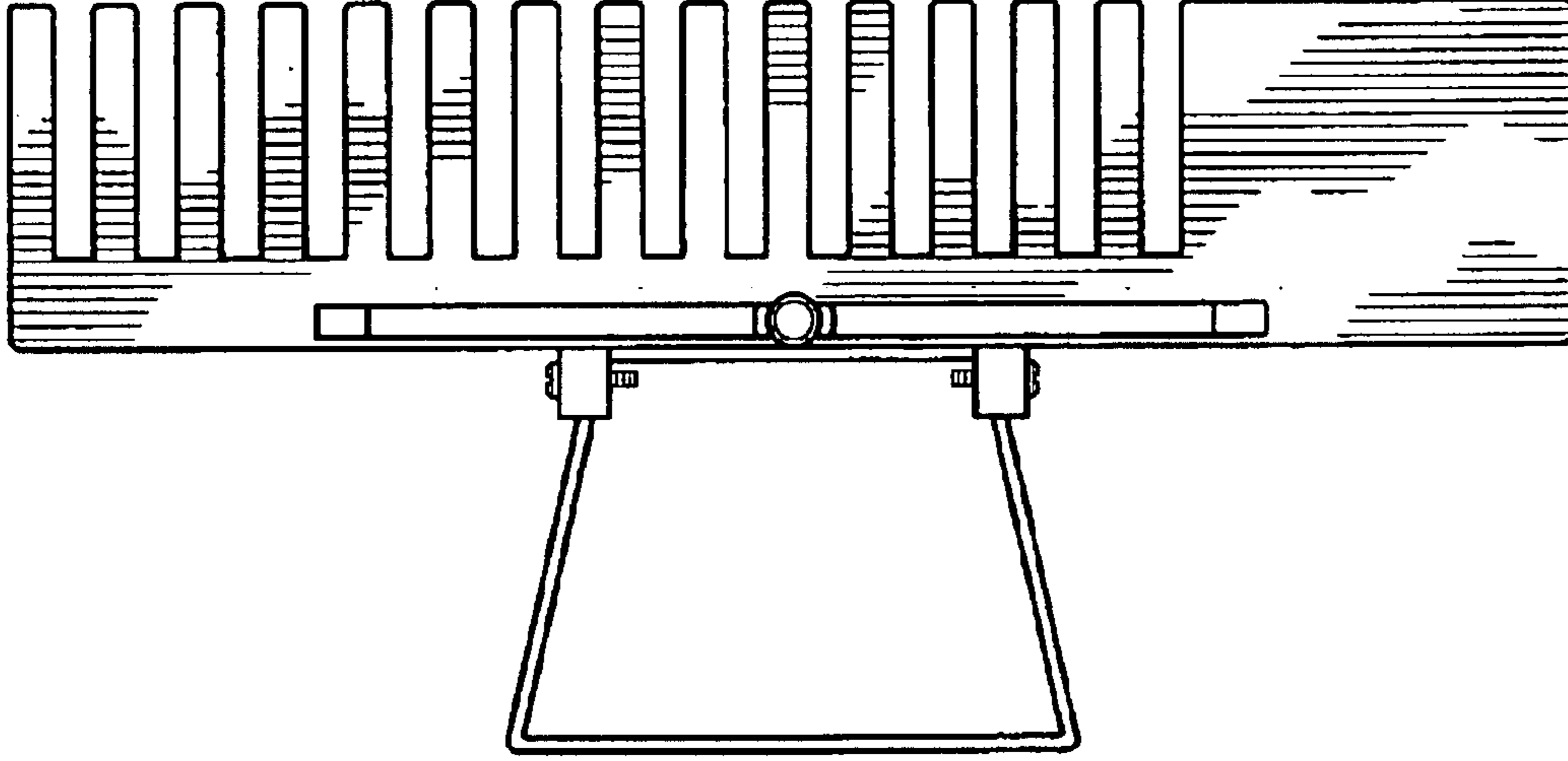


FIG. 5

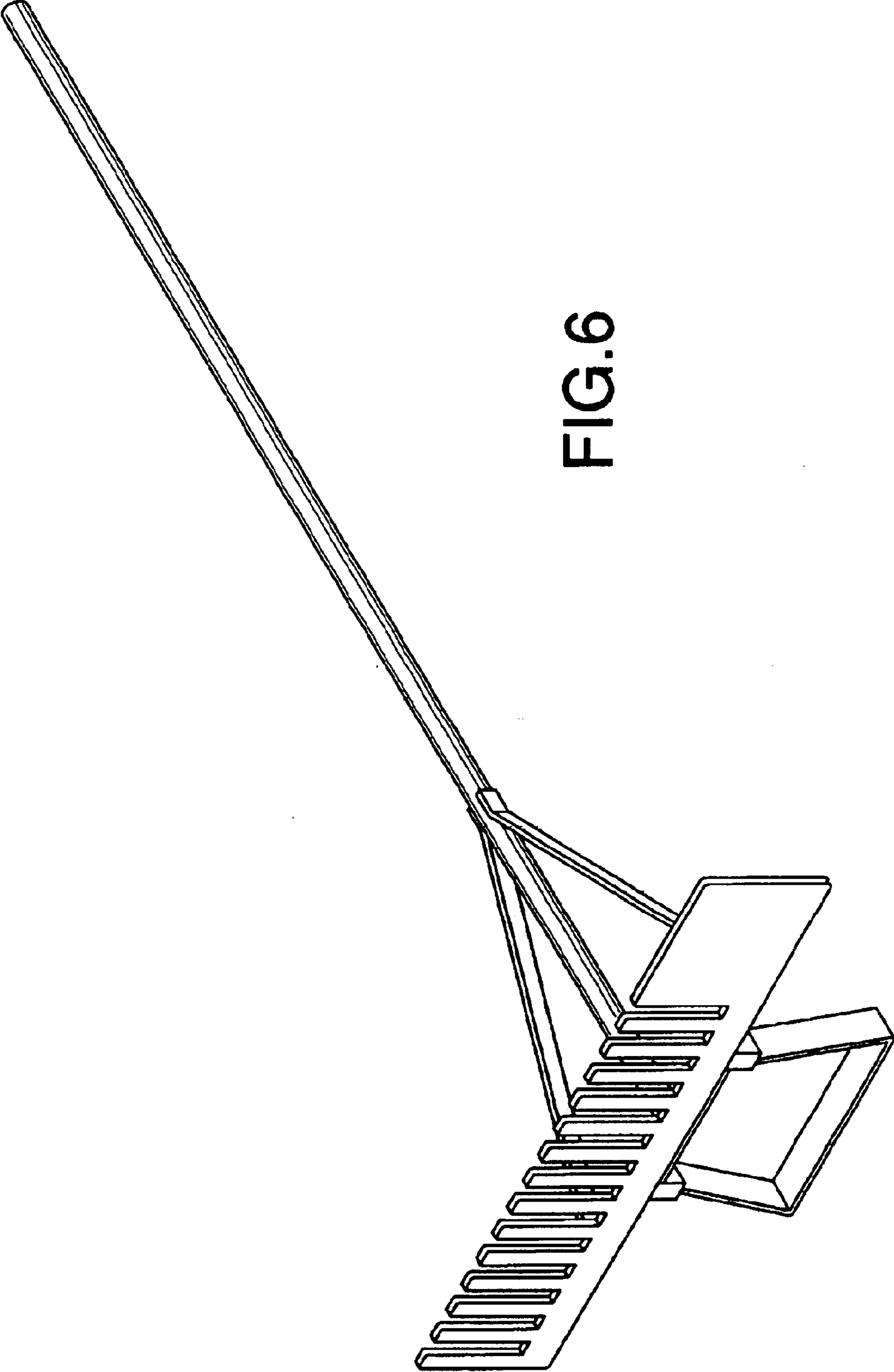


FIG.6