

US00D500932S

(12) **United States Design Patent**  
**Koch et al.**

(10) **Patent No.: US D500,932 S**  
(45) **Date of Patent: \*\* Jan. 18, 2005**

(54) **PAIR OF CHAIR ARM PADS**  
(75) Inventors: **John Koch**, Iowa City, IA (US); **Ogden R. Olson**, Muscatine, IA (US)

(73) Assignee: **HON Technology Inc.**, Muscatine, IA (US)

(\*\*) Term: **14 Years**

(21) Appl. No.: **29/198,583**

(22) Filed: **Jan. 30, 2004**

(51) **LOC (7) Cl.** ..... **06-01**

(52) **U.S. Cl.** ..... **D6/501; D6/366**

(58) **Field of Search** ..... D6/334, 335, 364,  
D6/365, 366, 367, 500-502; 297/411.2,  
411.27, 411.28, 411.29

(56) **References Cited**

**U.S. PATENT DOCUMENTS**

D288,872 S	*	3/1987	Schultz	.....	D6/366
D311,287 S	*	10/1990	Behringer	.....	D6/366
D340,589 S	*	10/1993	Chu	.....	D6/366
D434,918 S	*	12/2000	Arko et al.	.....	D6/366
D471,744 S	*	3/2003	Lind	.....	D6/501

D472,409 S	*	4/2003	Lind	.....	D6/501
D482,220 S	*	11/2003	Grove	.....	D6/501
D490,994 S	*	6/2004	Schmitz et al.	.....	D6/366
D494,768 S	*	8/2004	Su	.....	D6/366

\* cited by examiner

*Primary Examiner*—Gary D. Watson

(74) *Attorney, Agent, or Firm*—Joseph H. Golant; Jones Day

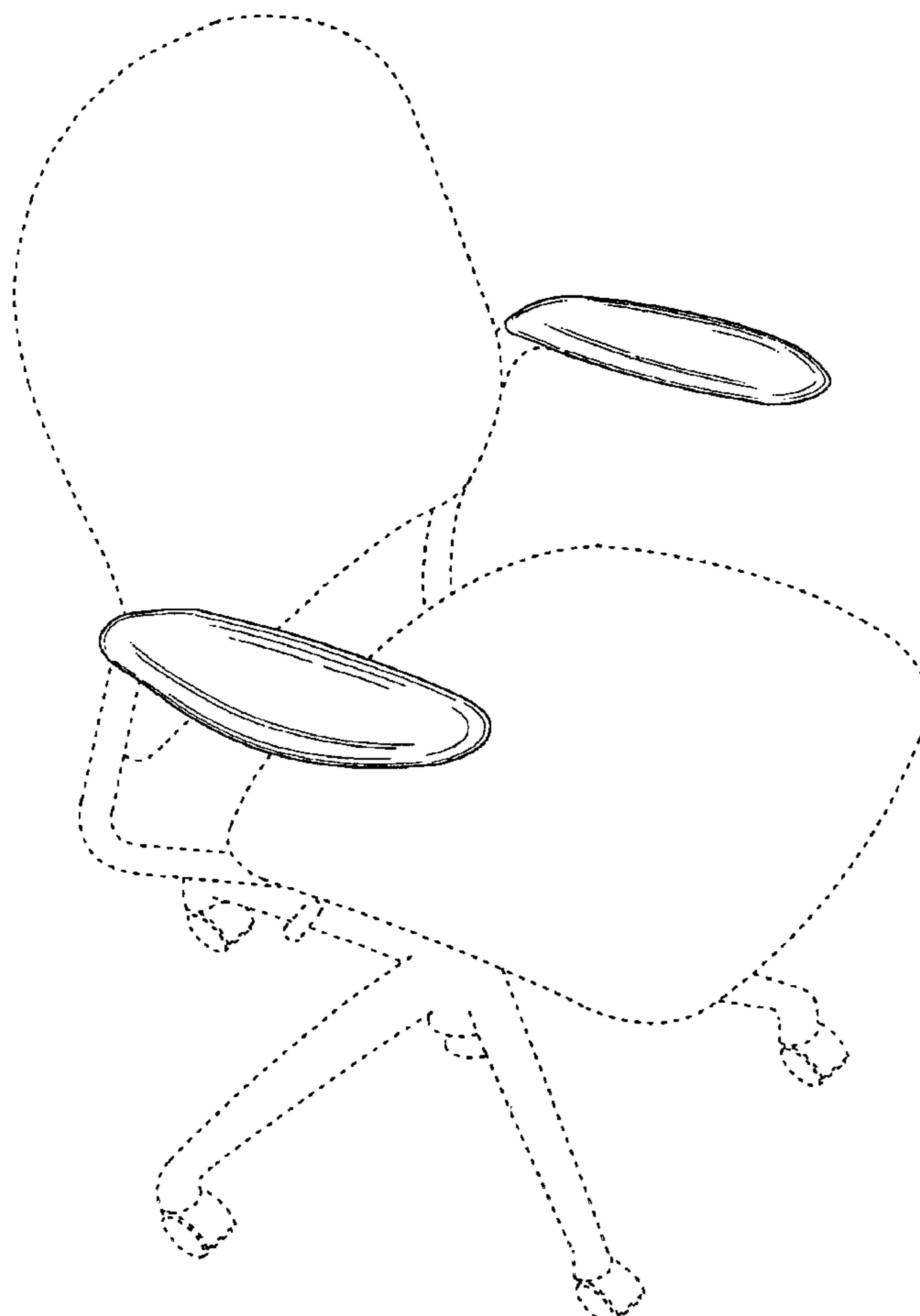
(57) **CLAIM**

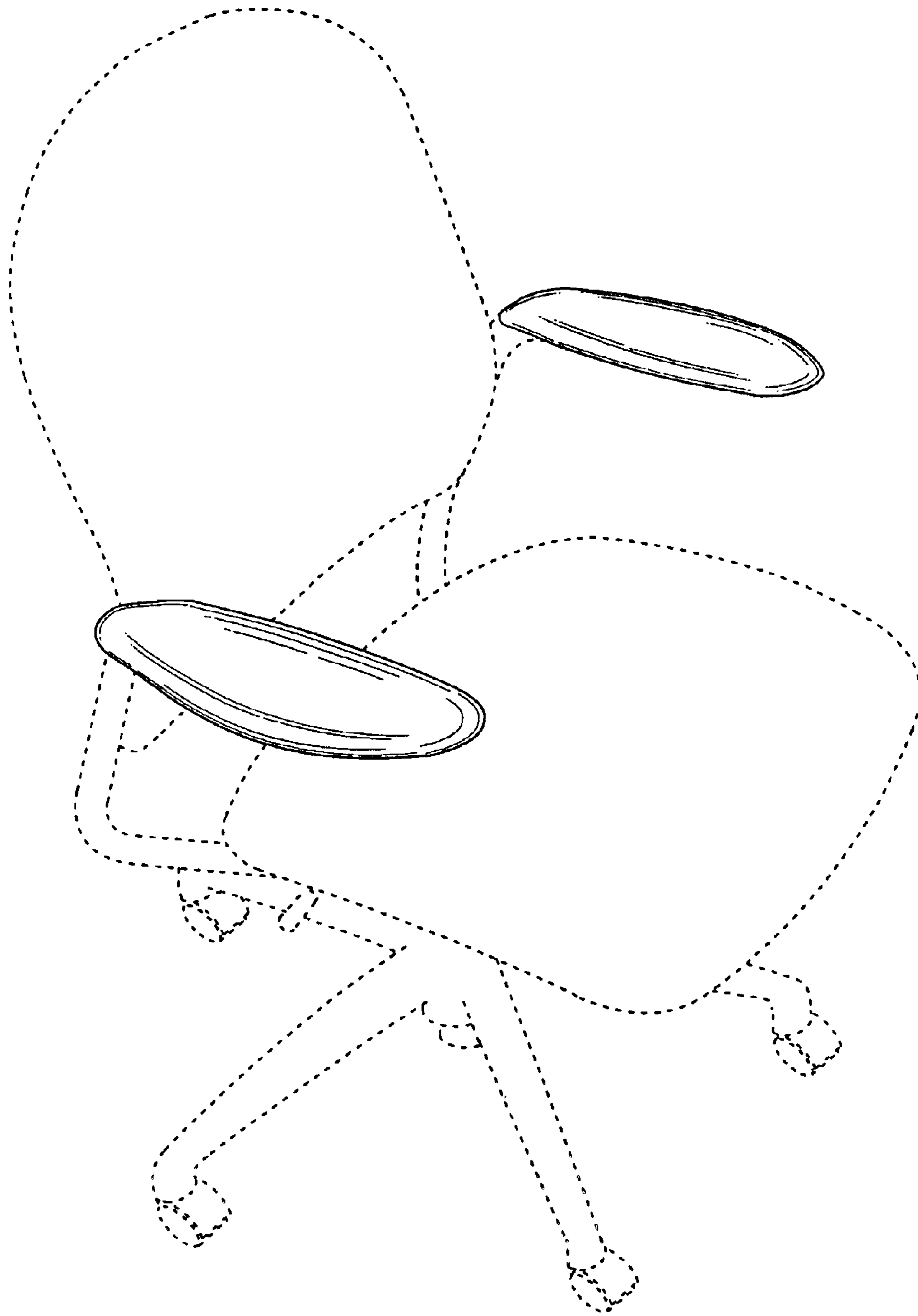
The ornamental design for a pair of chair arm pads, as shown and described.

**DESCRIPTION**

FIG. 1 is a front perspective view of a pair of chair arm pads showing the new design;  
FIG. 2 is a right side view thereof;  
FIG. 3 is a left side view thereof;  
FIG. 4 is a front view thereof;  
FIG. 5 is a back view thereof; and,  
FIG. 6 is a top plan view thereof.  
The dashed lines shown in FIGS. 1-6 represent environmental subject matter and form no part of the claimed design.

**1 Claim, 4 Drawing Sheets**





*Fig. 1*

Fig. 3

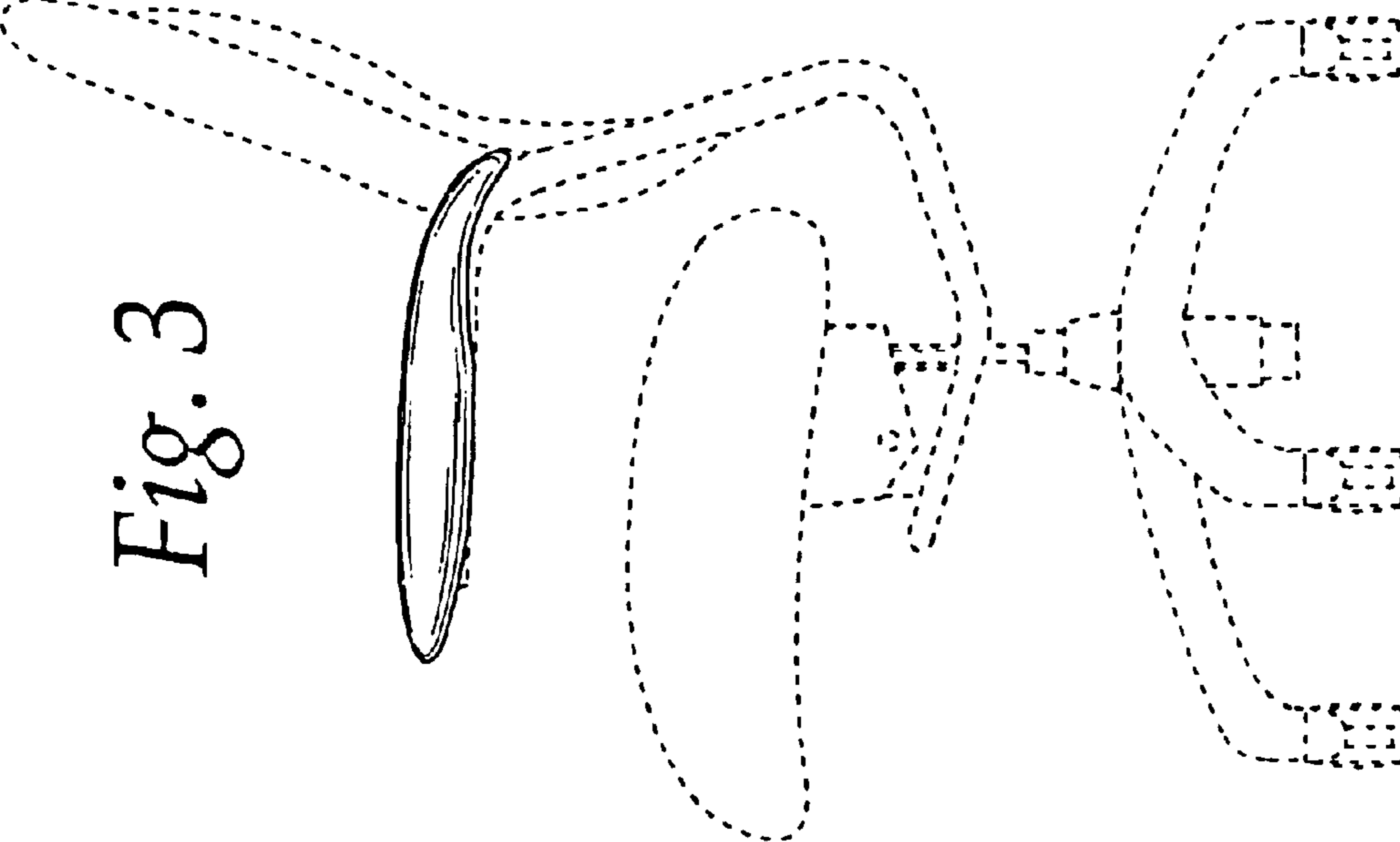
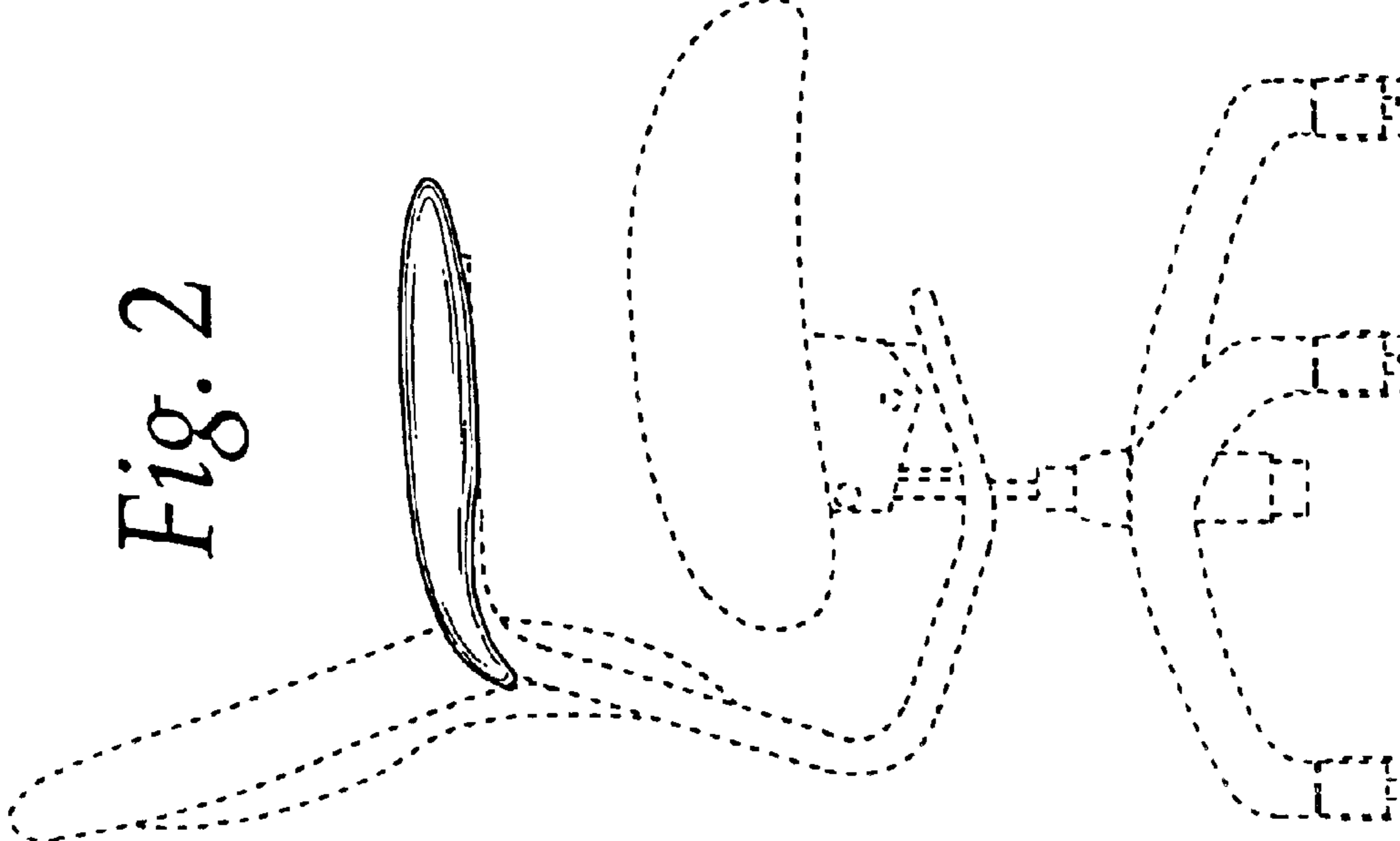


Fig. 2



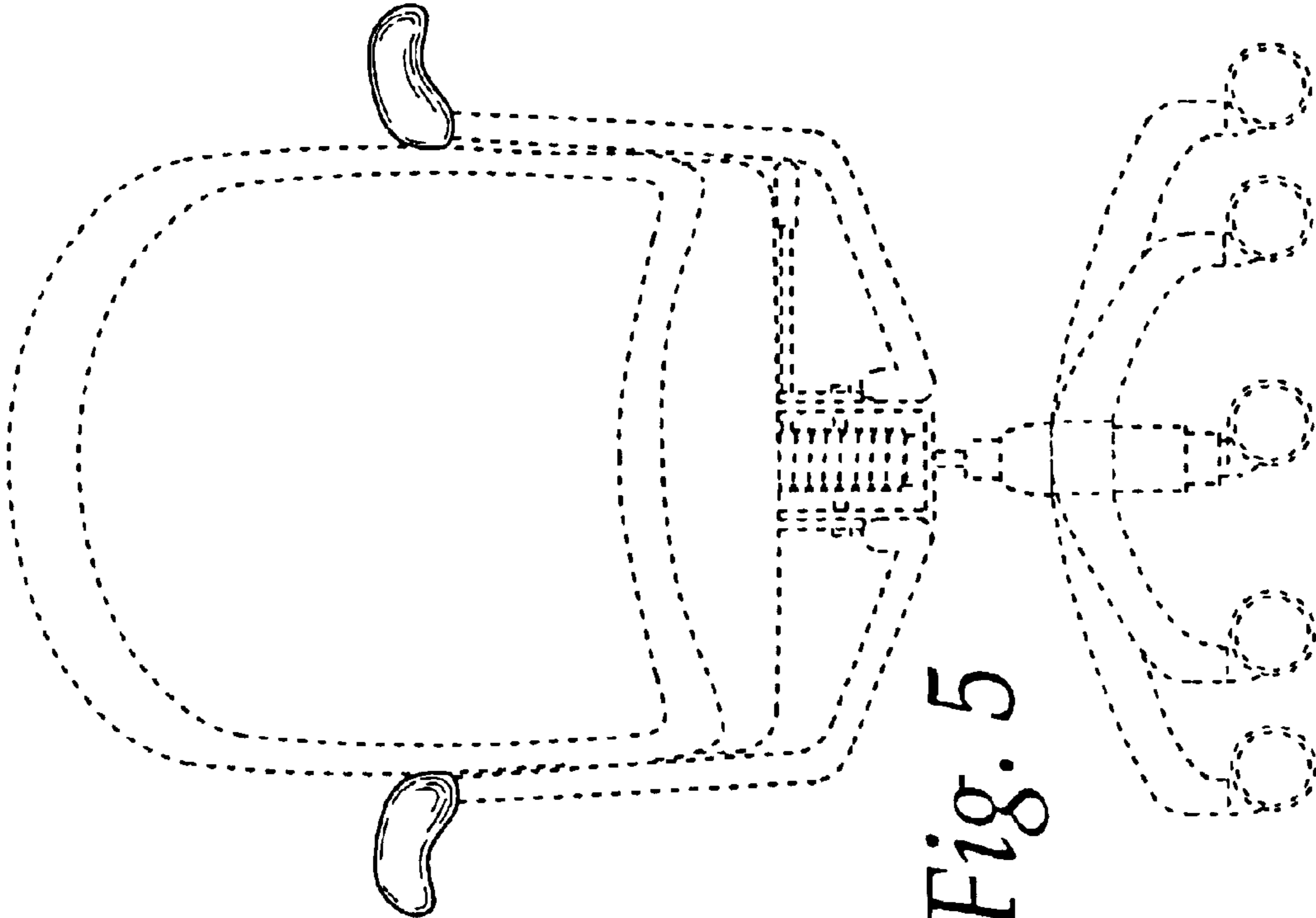


Fig. 5

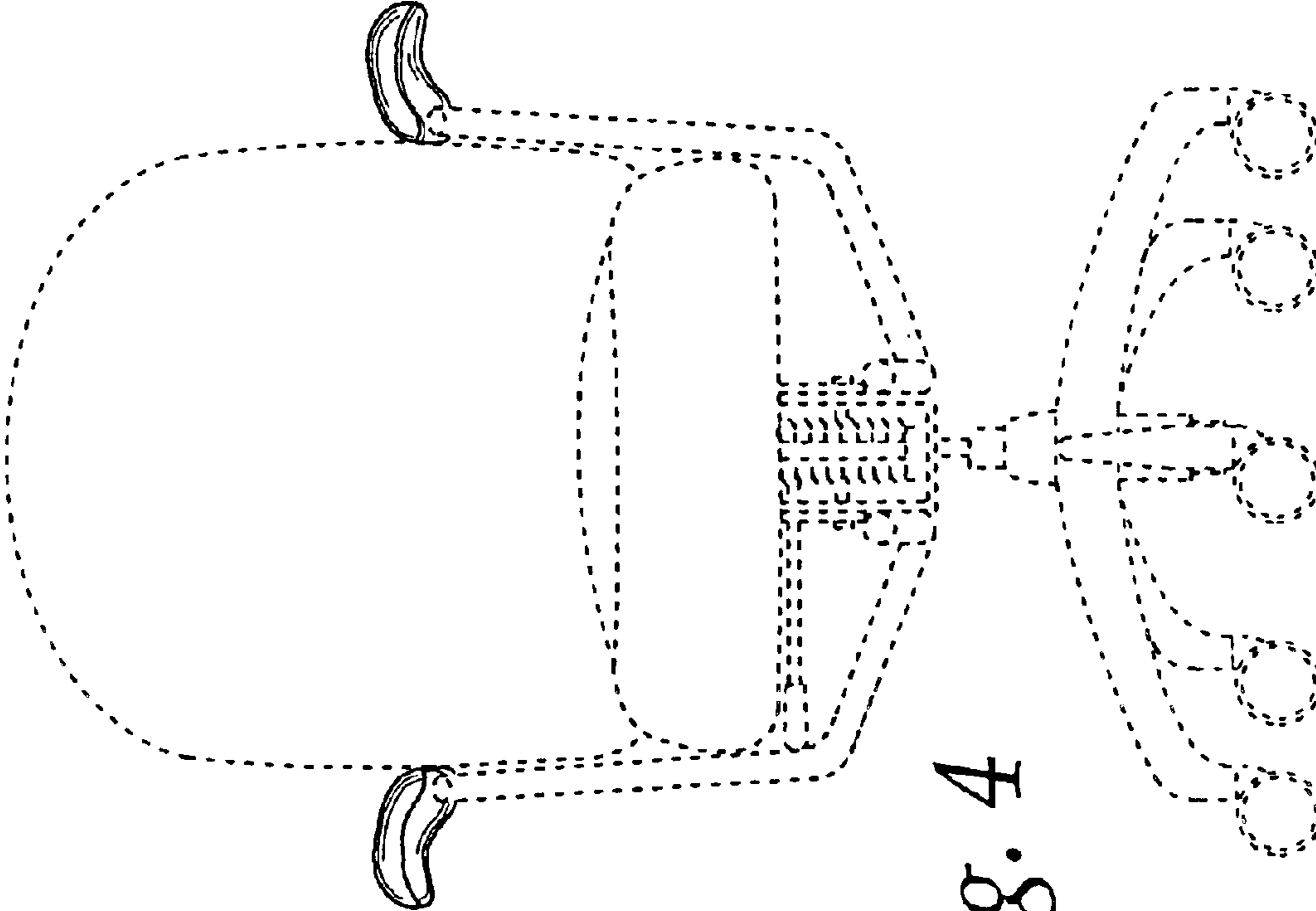
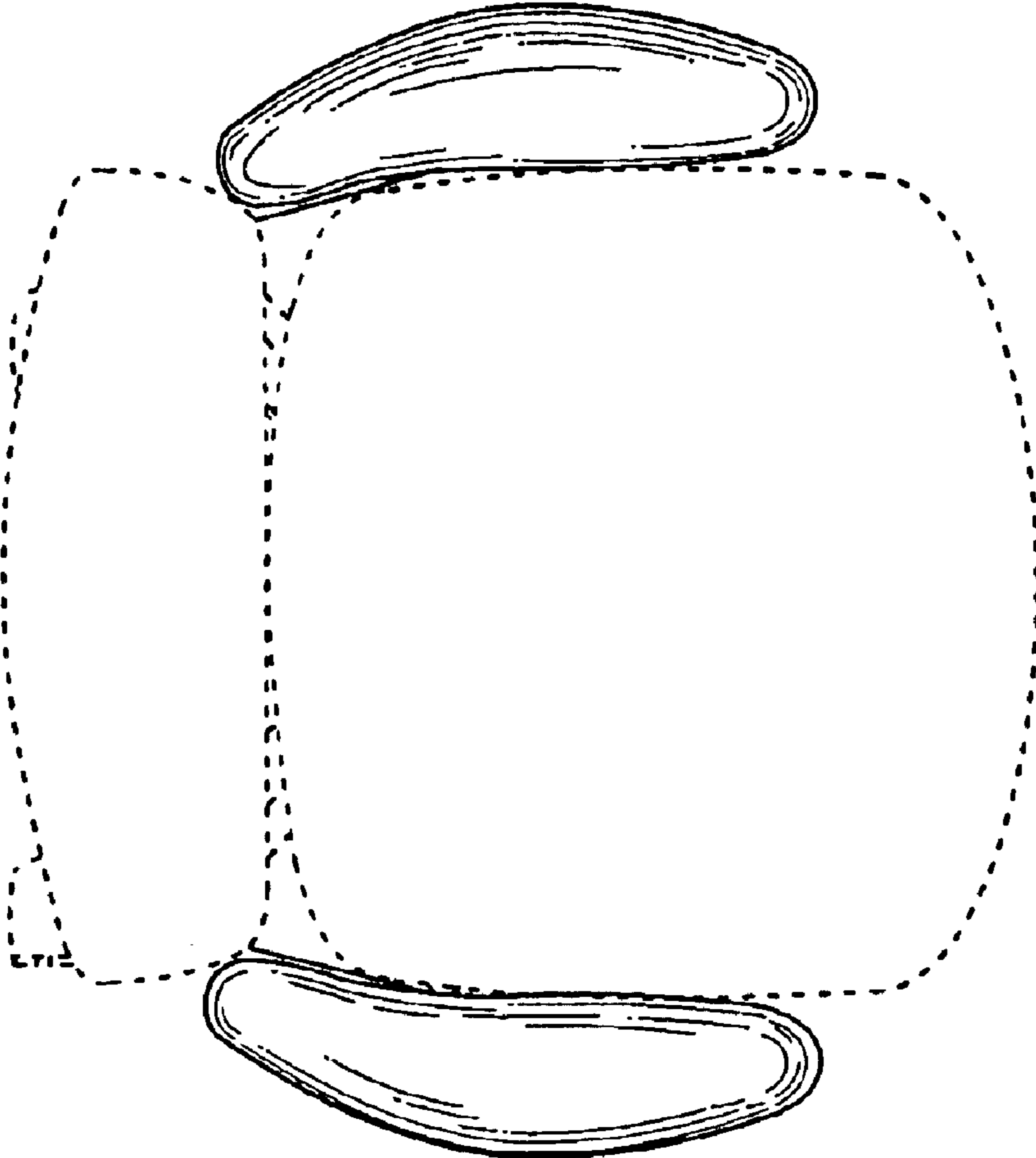


Fig. 4



*Fig. 6*