

US00D500931S

(12) **United States Design Patent**
Juneau

(10) **Patent No.:** **US D500,931 S**
(45) **Date of Patent:** **** Jan. 18, 2005**

(54) **APRON FOR FURNITURE**

D473,069 S * 4/2003 Prins et al. D6/440

(75) Inventor: **Alain Juneau**, St-Jean-Chrysostome
(CA)

* cited by examiner

Primary Examiner—Gary D. Watson

(73) Assignee: **Baronet, Inc.** (CA)

(74) *Attorney, Agent, or Firm*—SAIDMAN DesignLaw
Group

(**) Term: **14 Years**

(57) **CLAIM**

(21) Appl. No.: **29/178,133**

The ornamental design for an apron for furniture, as shown
and described.

(22) Filed: **Mar. 21, 2003**

DESCRIPTION

(51) **LOC (7) Cl.** **06-01**

(52) **U.S. Cl.** **D6/500**; D6/491

(58) **Field of Search** D6/334–336, 374,
D6/376, 379, 380, 381, 430, 440, 480–489,
491; 108/49; 297/445.1, 446.1

FIG. 1 is a front, perspective view of an apron for furniture
showing my new design;

FIG. 2 is a front view thereof;

FIG. 3 is a right-side view thereof, the left-side view being
a mirror image;

FIG. 4 is a perspective, rear view thereof;

FIG. 5 is a perspective view of a second embodiment
thereof;

FIG. 6 is a front view thereof, the rear view being identical;
FIG. 7 is a right-side view thereof, the left-side view being
identical;

FIG. 8 is a bottom view thereof;

FIG. 9 is a perspective view of a third embodiment thereof;

FIG. 10 is a front view thereof, the rear view being identical;

FIG. 11 is a right-side view thereof, the left-side view being
identical; and,

FIG. 12 is a bottom view thereof.

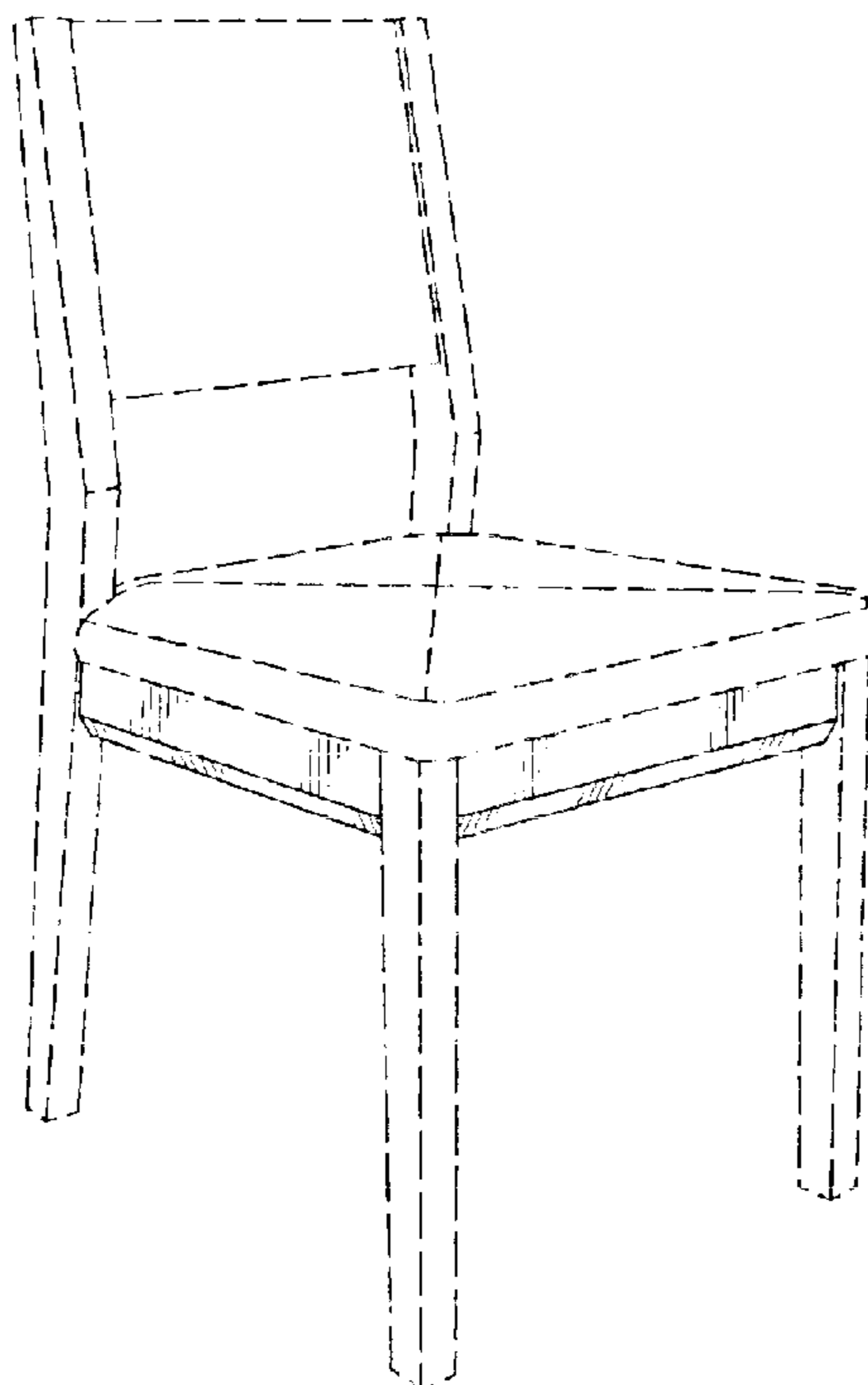
The broken lines in the drawings form no part of the claimed
design.

(56) **References Cited**

U.S. PATENT DOCUMENTS

D42,618 S	*	6/1912	Collins	D6/374
D121,062 S		6/1940	Bach		
D141,512 S	*	6/1945	Schmedinghoff	D6/336
D144,872 S	*	5/1946	Rhodes	D6/484
2,734,788 A	*	2/1956	Elles et al.	108/79
D205,291 S	*	7/1966	Klein et al.	D6/430
D350,652 S	*	9/1994	Wegener	D6/370
D366,160 S	*	1/1996	Walters et al.	D6/370
D367,566 S	*	3/1996	Walters et al.	D6/381
D375,636 S	*	11/1996	Arcese et al.	D6/370
D452,624 S		1/2002	de Blois		
D466,322 S	*	12/2002	Tobin, Jr.	D6/379
D468,922 S		1/2003	de Blois		
D469,263 S	*	1/2003	Clark et al.	D6/334

1 Claim, 9 Drawing Sheets



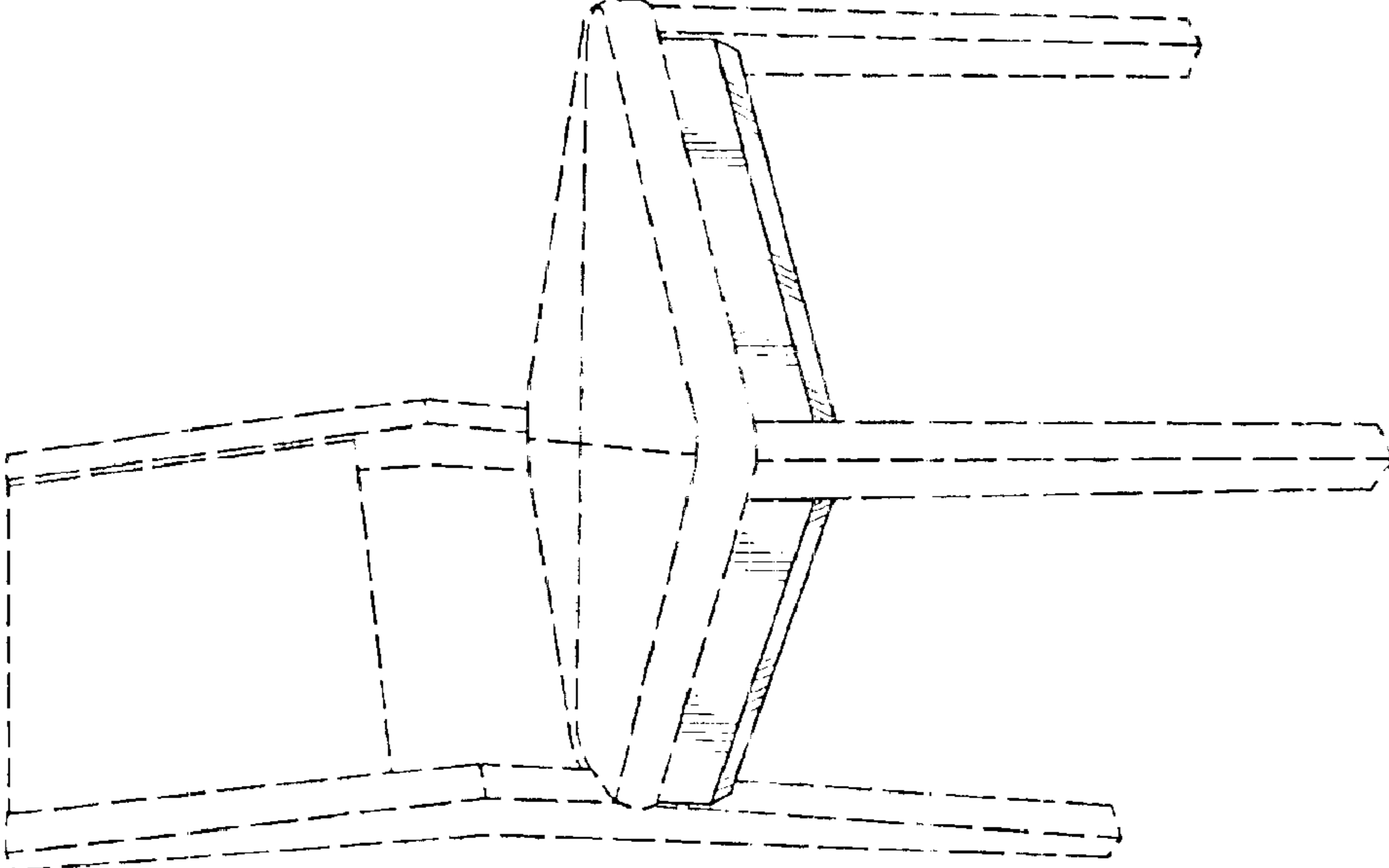


FIG. 1

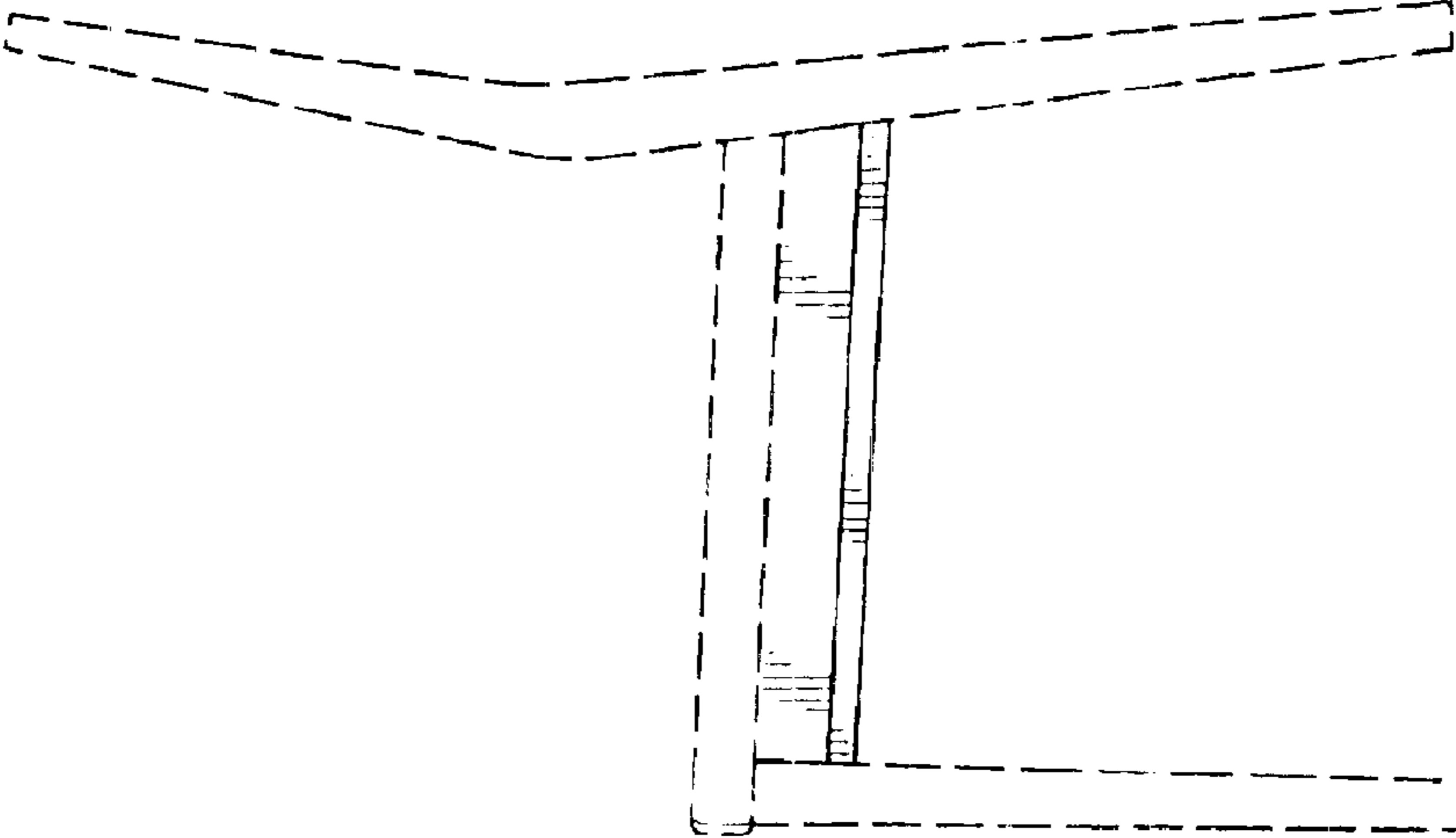


FIG.3

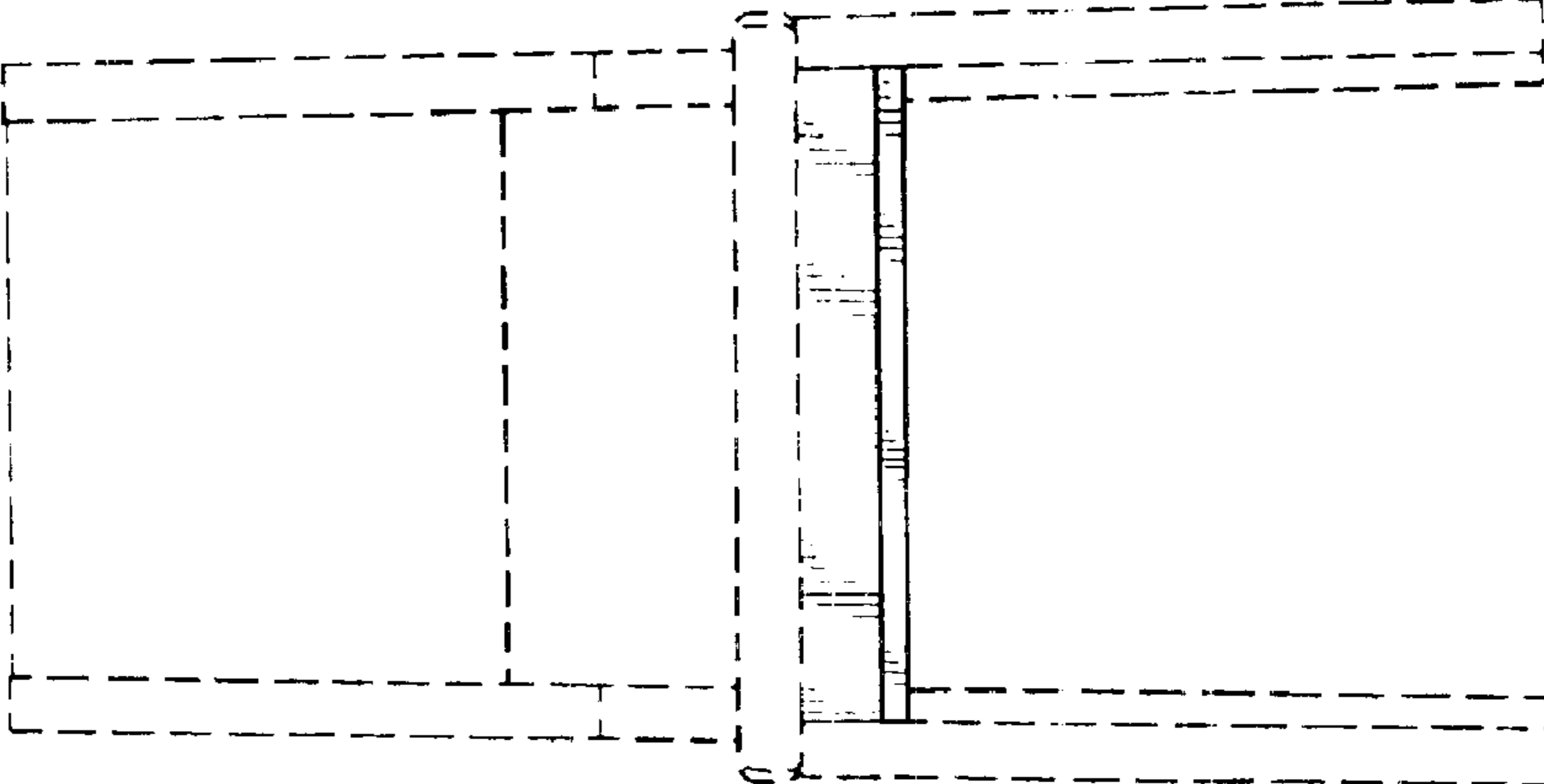


FIG.2

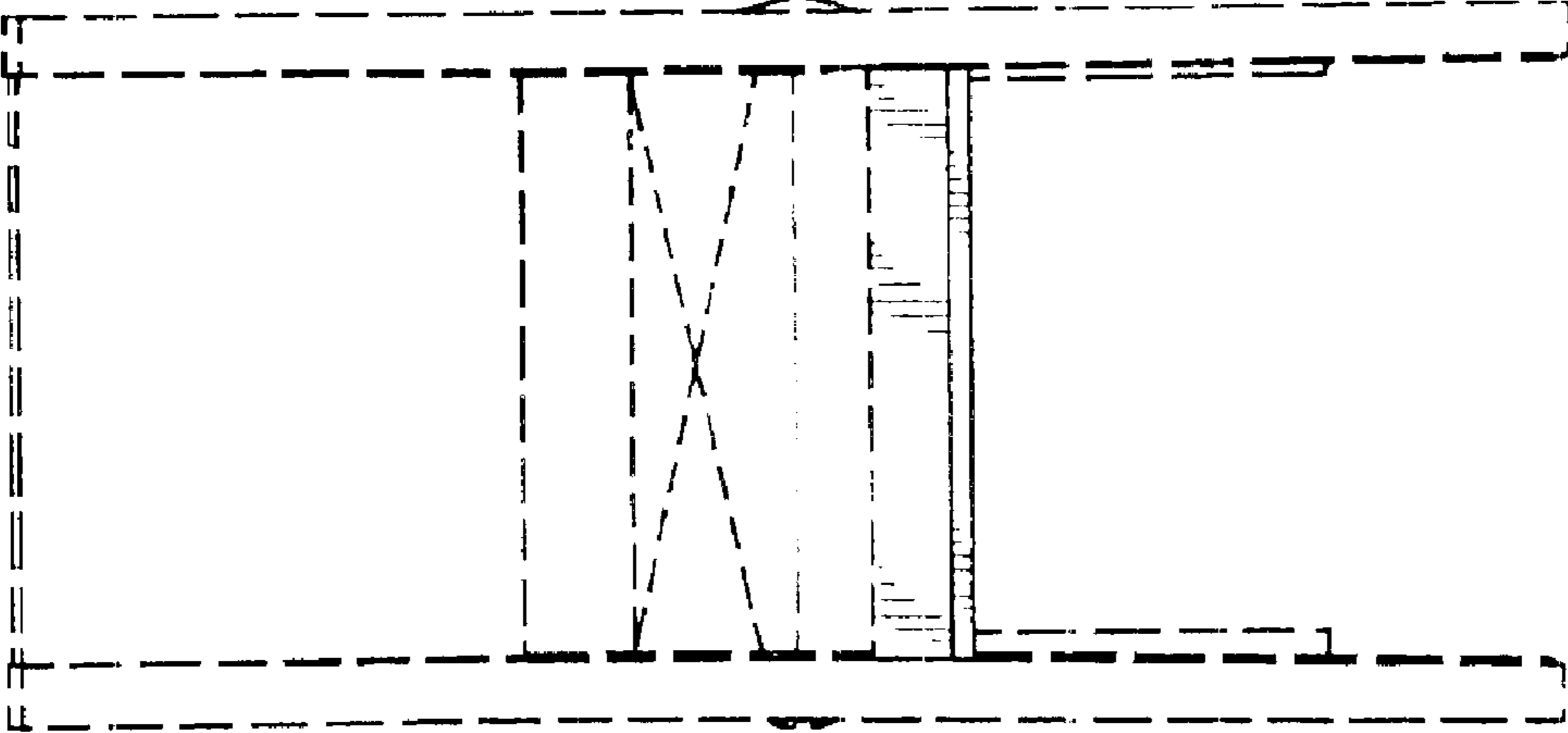


FIG.4

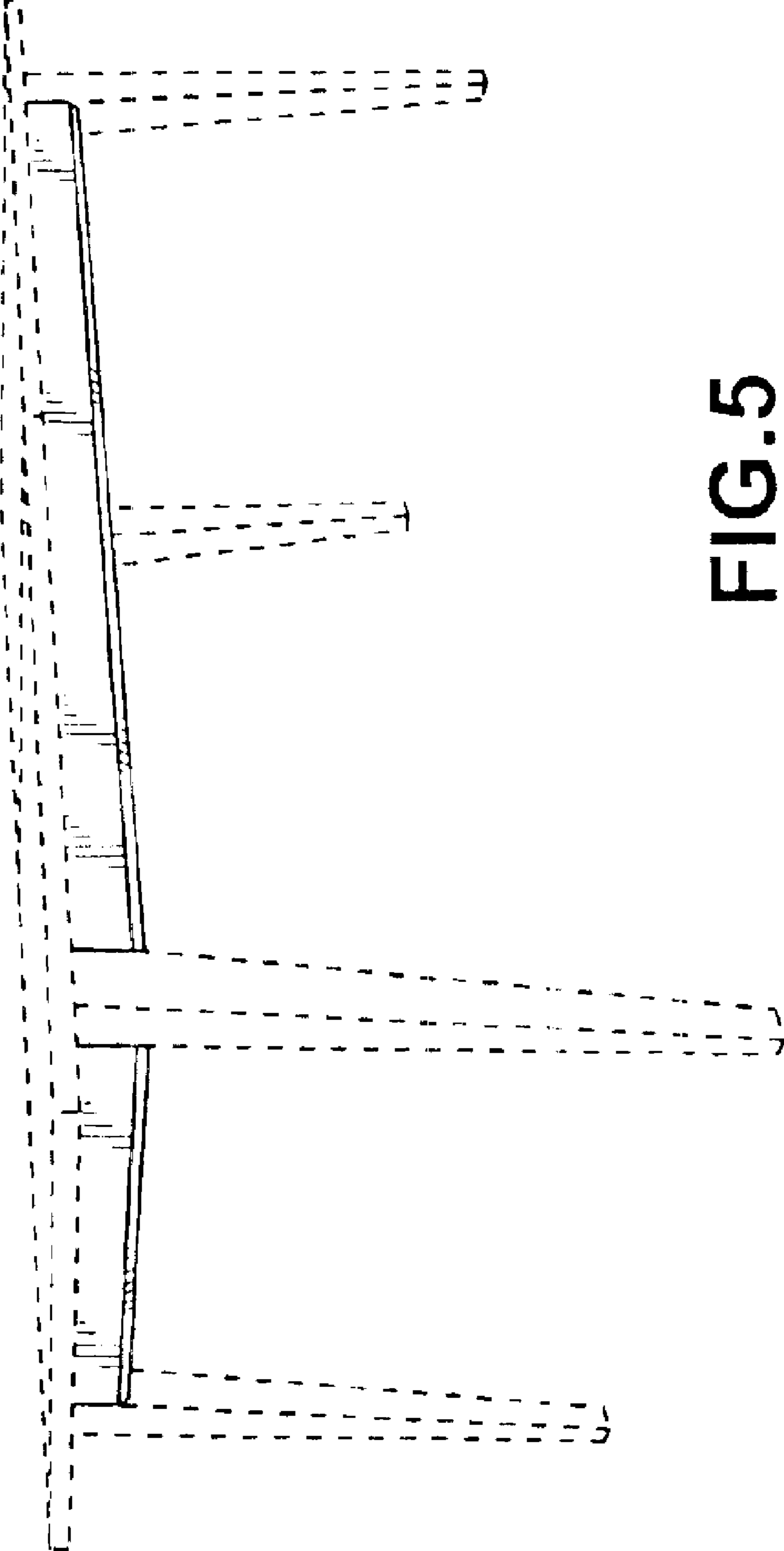


FIG.5

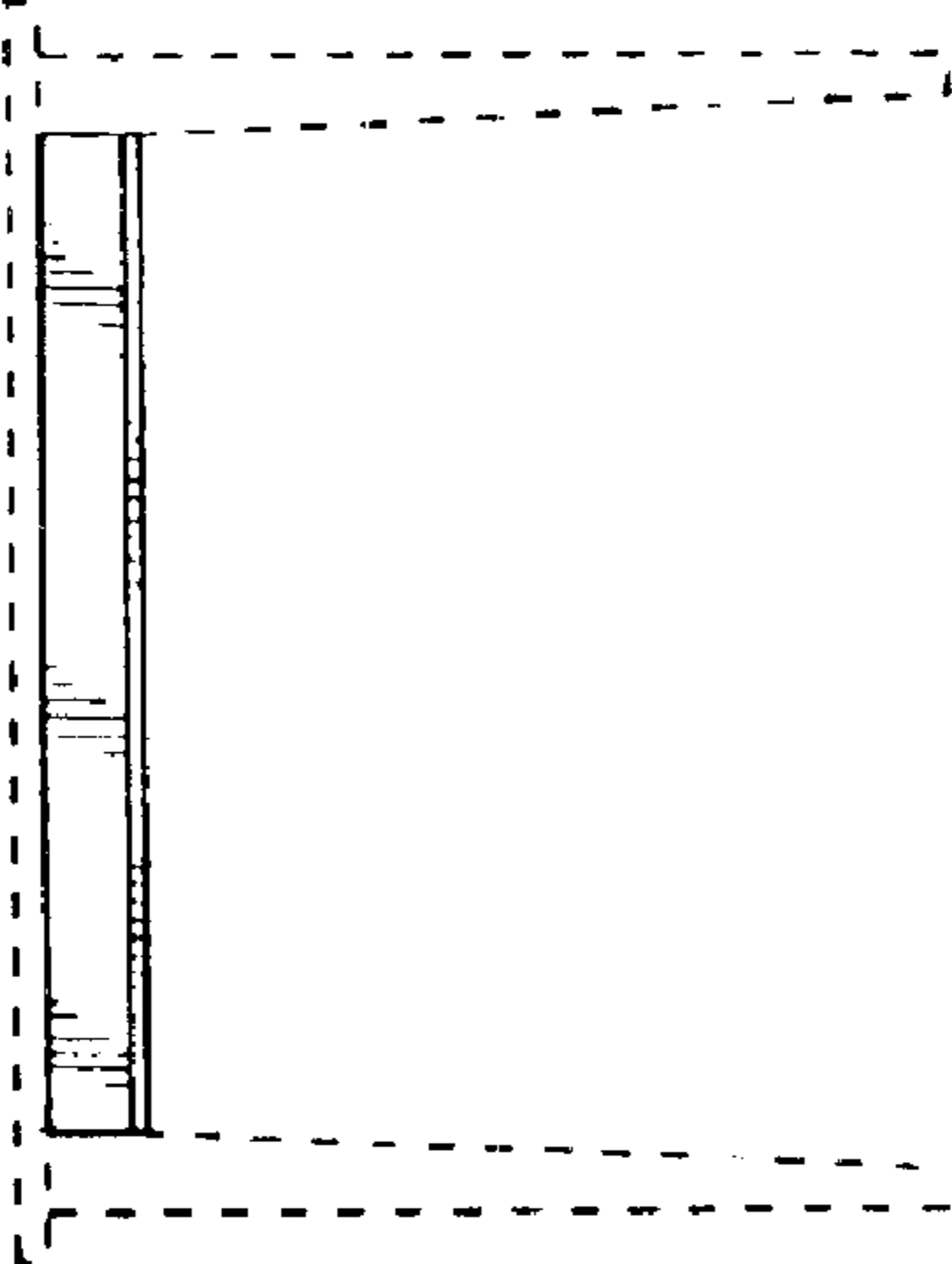


FIG. 7

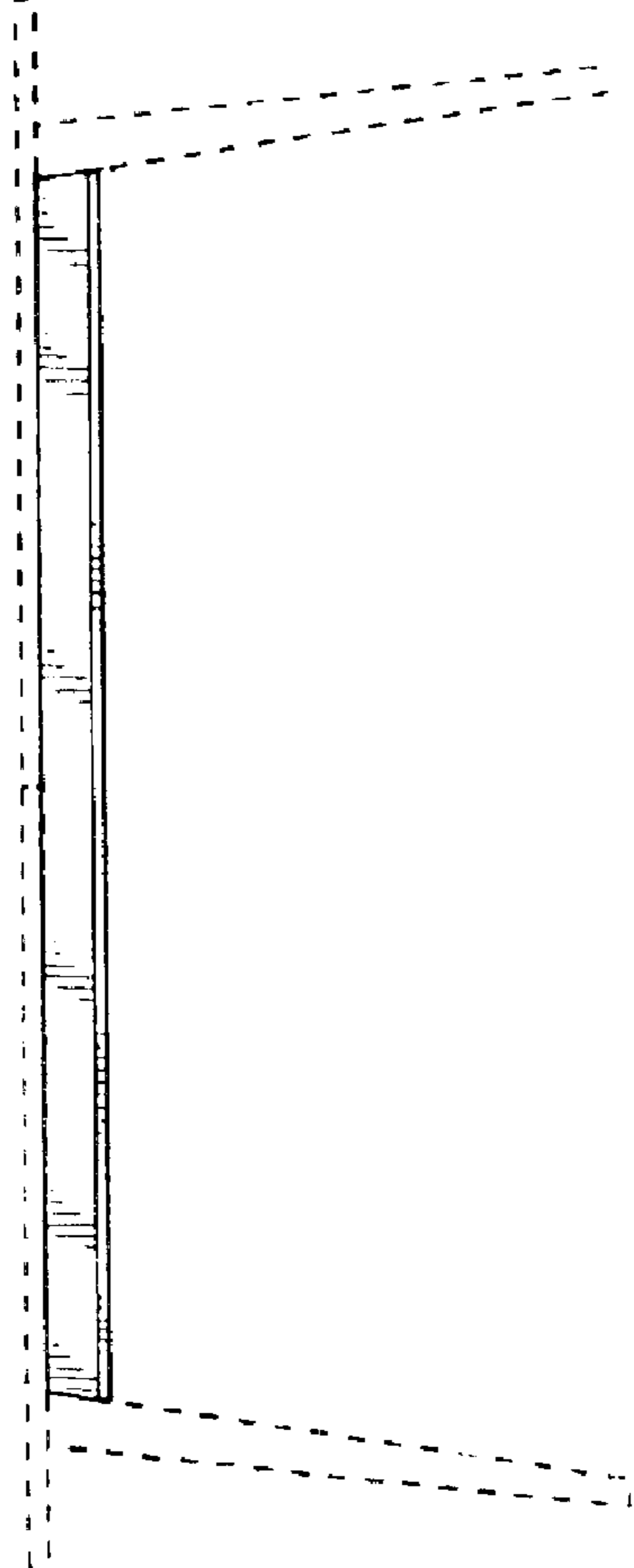


FIG. 6

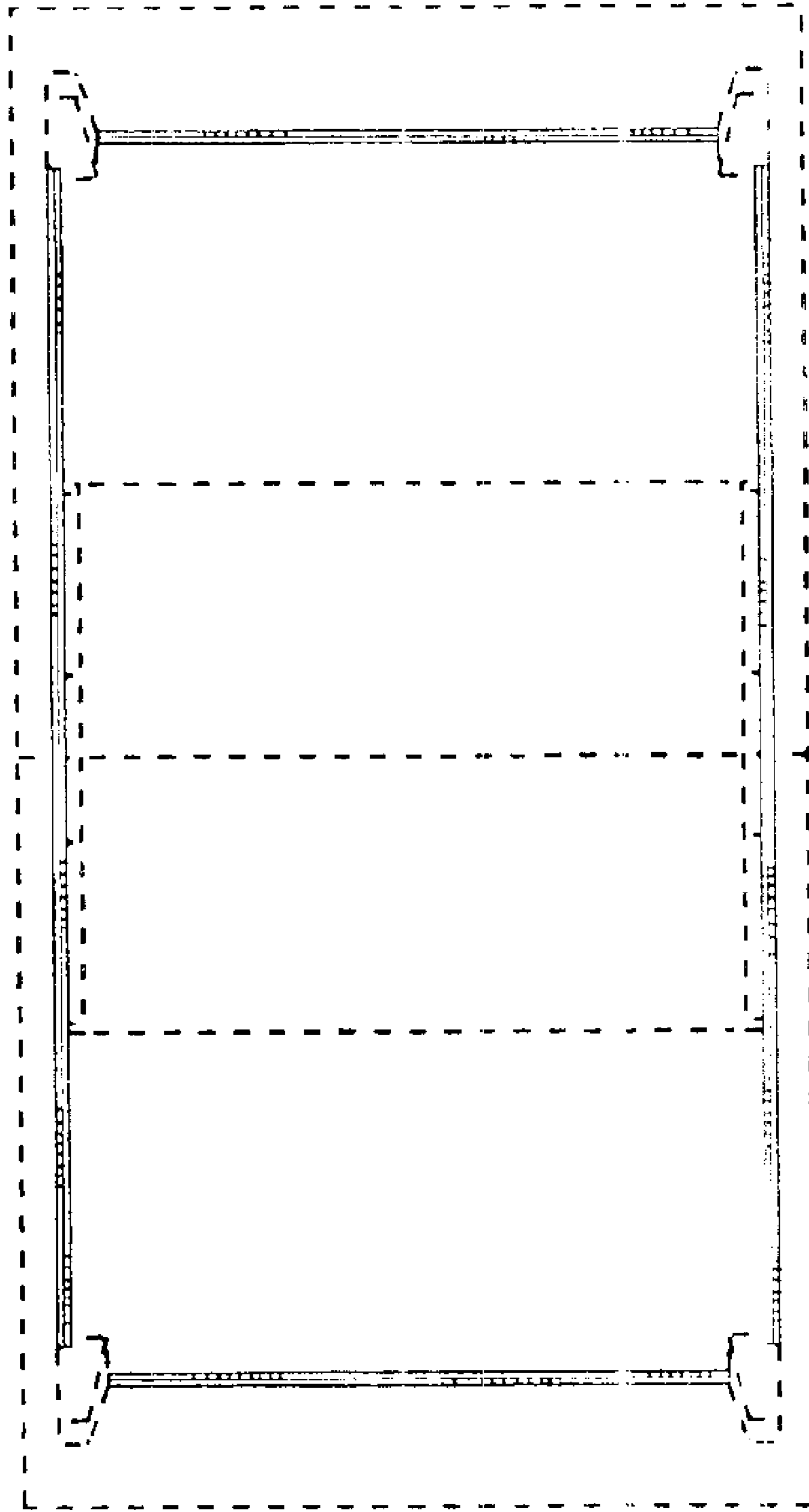


FIG. 8

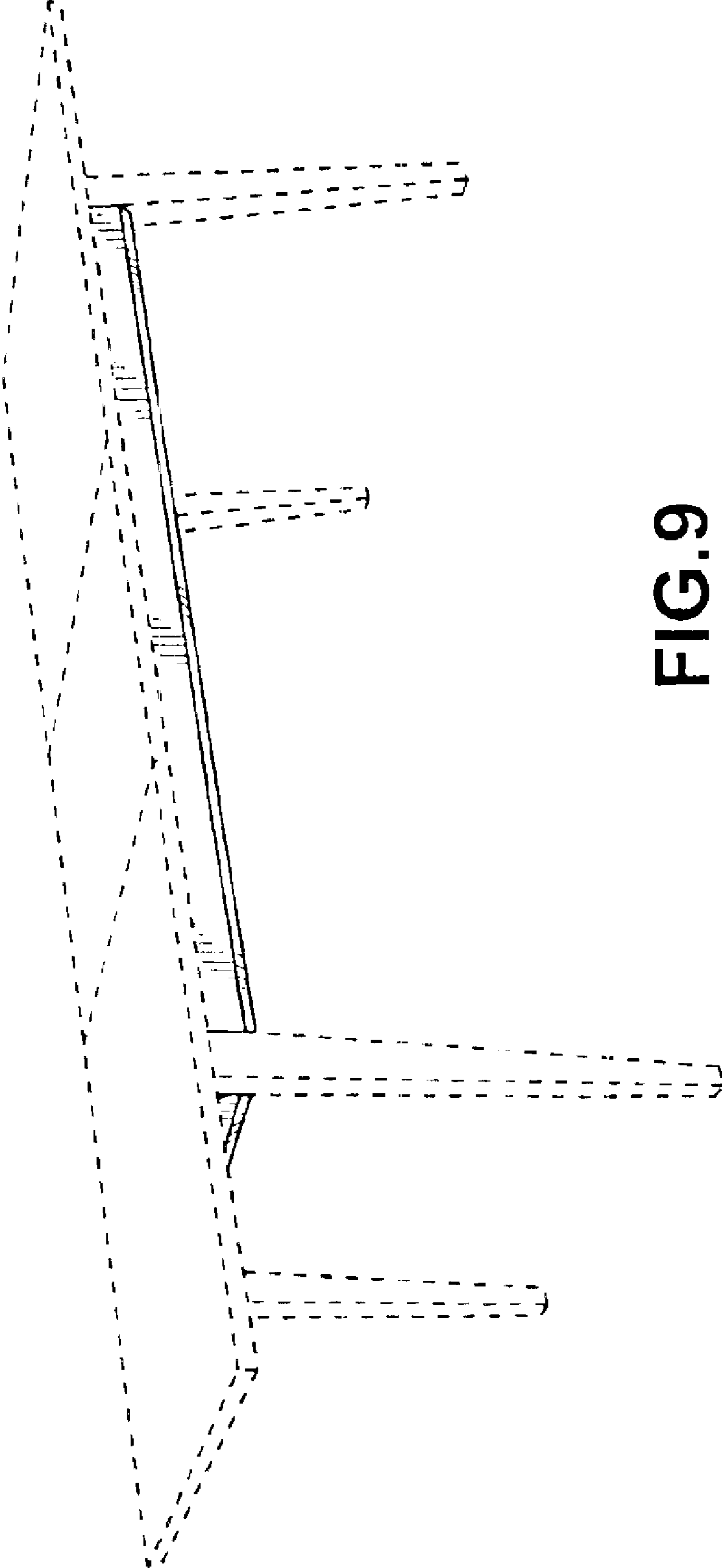


FIG. 9

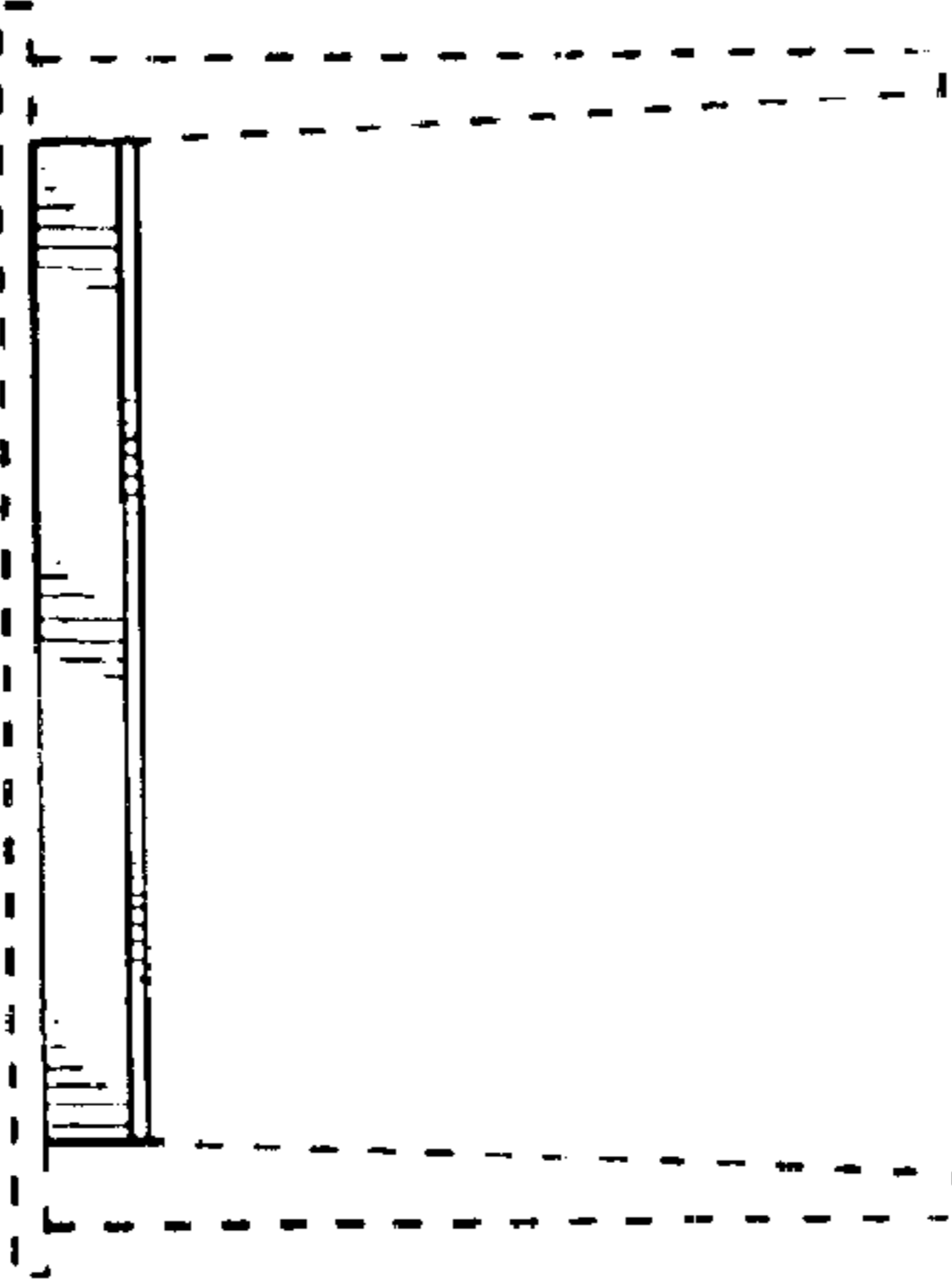


FIG. 11

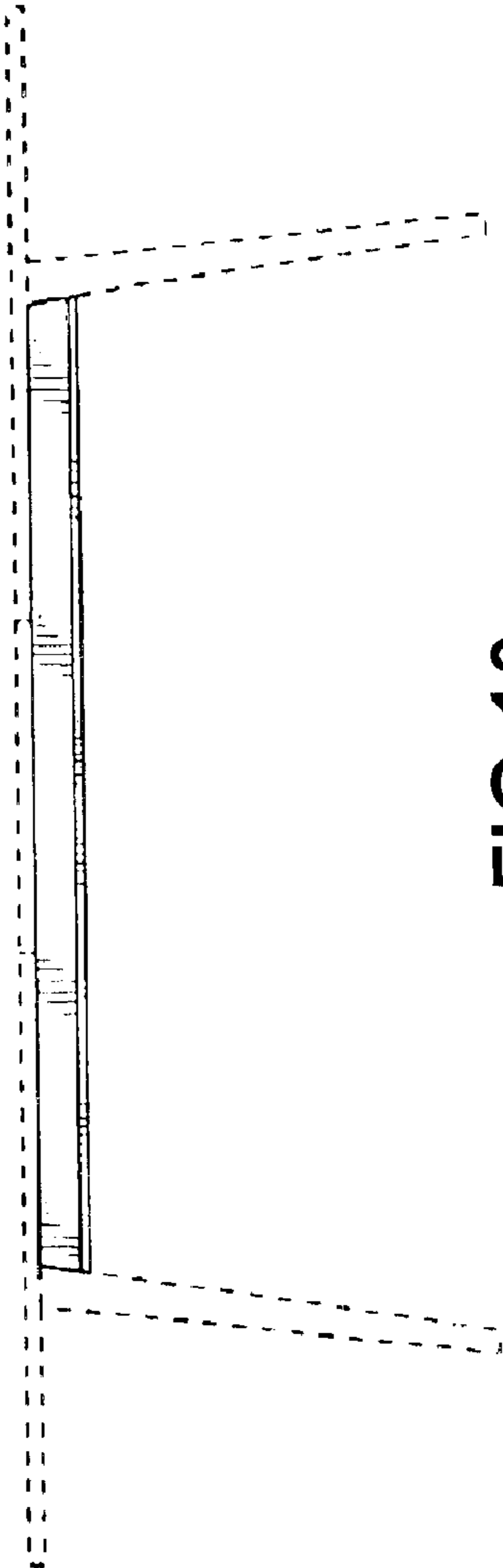


FIG. 10

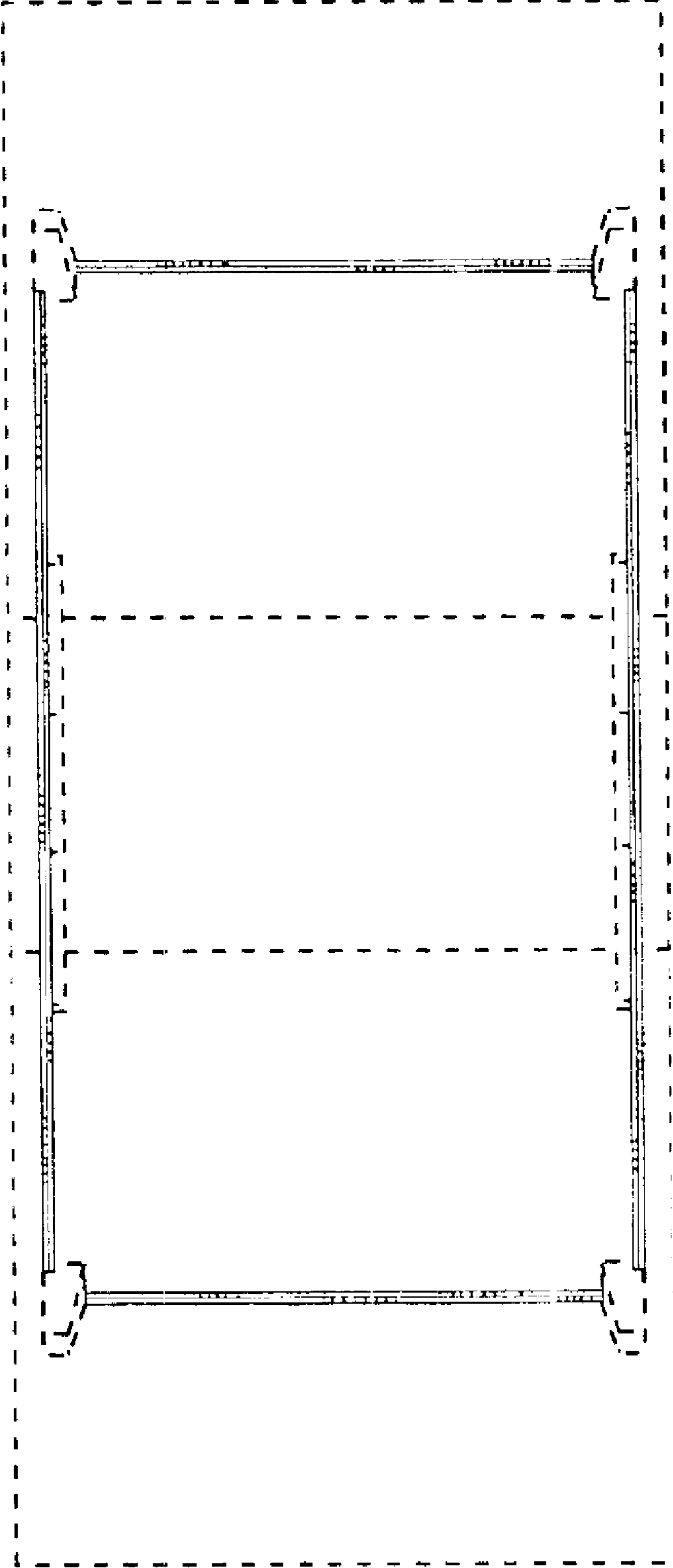


FIG.12