

US00D500924S

(12) **United States Design Patent**
Martin et al.

(10) **Patent No.:** **US D500,924 S**
(45) **Date of Patent:** **** Jan. 18, 2005**

(54) **RETURNABLE ALUMINUM ALLOY
CONTAINER AND LID FOR PERISHABLE
FOODS**

2002/0008134 A1 1/2002 Southwell
2002/0195450 A1 12/2002 Ferguson
2003/0010816 A1 1/2003 Jackson
2003/0123965 A1 7/2003 Brackmann et al.
2003/0146272 A1 8/2003 Kent

(76) Inventors: **John William Martin**, 8975-20
Lawrence Walk Dr., Escondido, CA
(US) 92026; **Mary Ann Martin**,
8975-20 Lawrence Walk Dr., Escondido,
CA (US) 92026

* cited by examiner

Primary Examiner—Philip S. Hyder
(74) *Attorney, Agent, or Firm*—Stephen C. Beuerle;
Procopio Cory Hargreaves & Savitch LLP

(**) Term: **14 Years**

(21) Appl. No.: **29/198,997**

(22) Filed: **Feb. 6, 2004**

(51) **LOC (7) Cl.** **03-01**

(52) **U.S. Cl.** **D3/302**; D9/424

(58) **Field of Search** D3/272, 273, 302;
D9/420, 423, 424, 425; 206/501, 503, 508,
518; 220/350, 296, 662

(57) **CLAIM**

The ornamental design for a returnable aluminum alloy container and lid for perishable foods, as shown and described.

DESCRIPTION

FIG. 1 is a front elevational view of the returnable aluminum alloy container for perishable foods without the lid, the rear elevational view being identical to the front elevational view;

FIG. 2 is a top plan view of the returnable aluminum alloy container for perishable foods without the lid;

FIG. 3 is a right side elevational view of the returnable aluminum alloy container for perishable foods without the lid, the left side elevational view being identical thereto;

FIG. 4 is a lower perspective view returnable aluminum alloy container for perishable foods without the lid;

FIG. 5 is a front elevational view of the lid for the returnable aluminum alloy container without the returnable aluminum alloy container shown, the rear elevational view being identical to the front elevational view;

FIG. 6 is a top plan view of the lid for the returnable aluminum alloy container without the returnable aluminum alloy container shown; and,

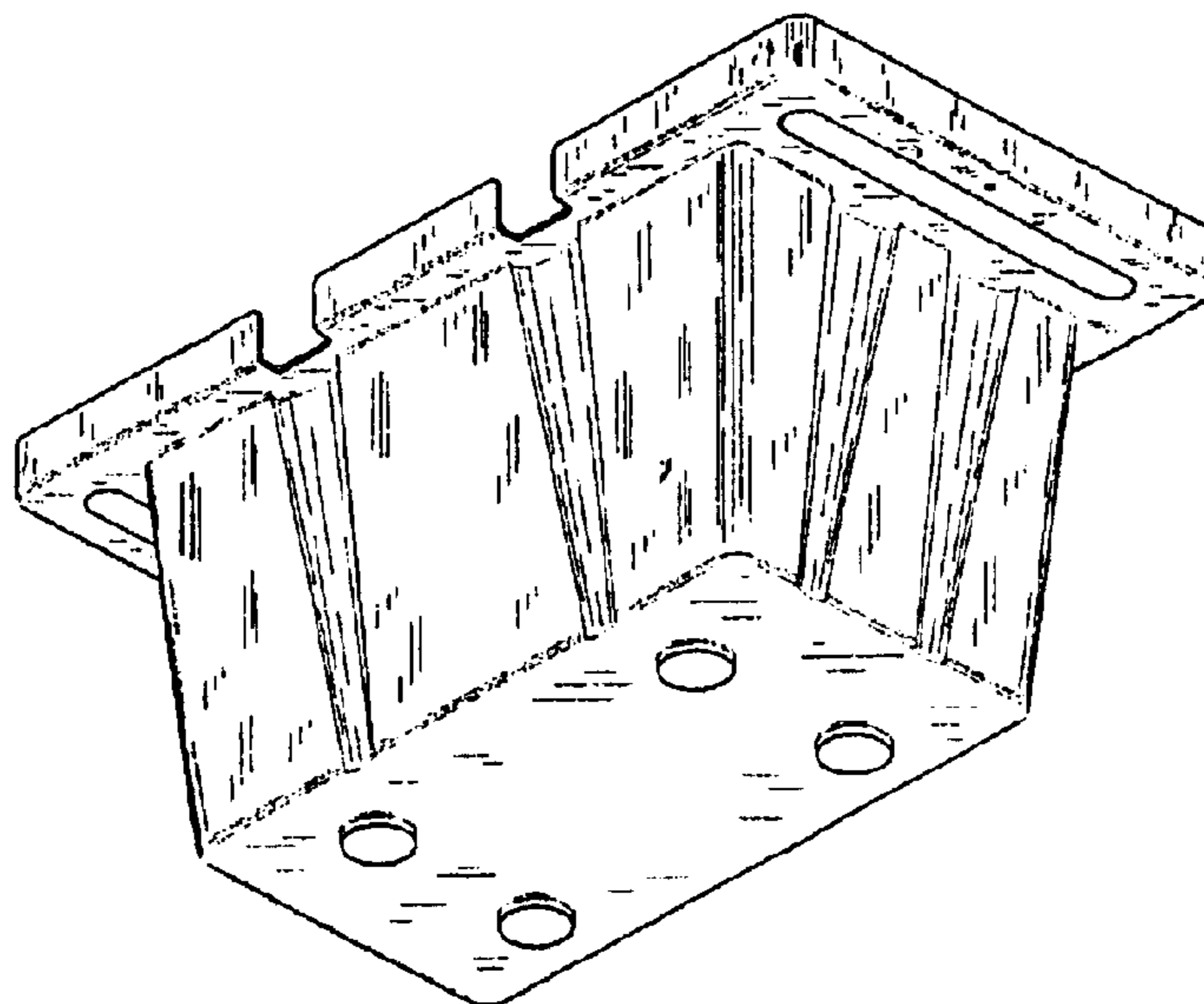
FIG. 7 is a top perspective view of the lid for the returnable aluminum alloy container without the returnable aluminum alloy container shown.

(56) **References Cited**

U.S. PATENT DOCUMENTS

1,451,070 A	4/1923	Higerd	217/40
D164,160 S	8/1951	Davis	D3/314
D164,628 S	9/1951	Davis	D9/435
2,739,734 A	3/1956	Pugh	220/676
4,105,117 A *	8/1978	Atkin et al.	206/501
D271,343 S *	11/1983	Miller	D3/294
D286,937 S *	11/1986	Schafer	D3/272
5,042,674 A *	8/1991	Ramsay et al.	220/4.24
5,121,877 A	6/1992	Bodary et al.	229/120
D341,461 S *	11/1993	Davidson et al.	D3/312
D344,387 S *	2/1994	Holliday	D3/312
5,328,048 A *	7/1994	Stein	220/826
D374,555 S *	10/1996	McMath	D3/272
D381,512 S *	7/1997	Green	D3/294
D382,112 S *	8/1997	Egan	D3/273
D408,631 S *	4/1999	Dickinson et al.	D3/302
D429,565 S *	8/2000	Aiken	D3/302

1 Claim, 2 Drawing Sheets



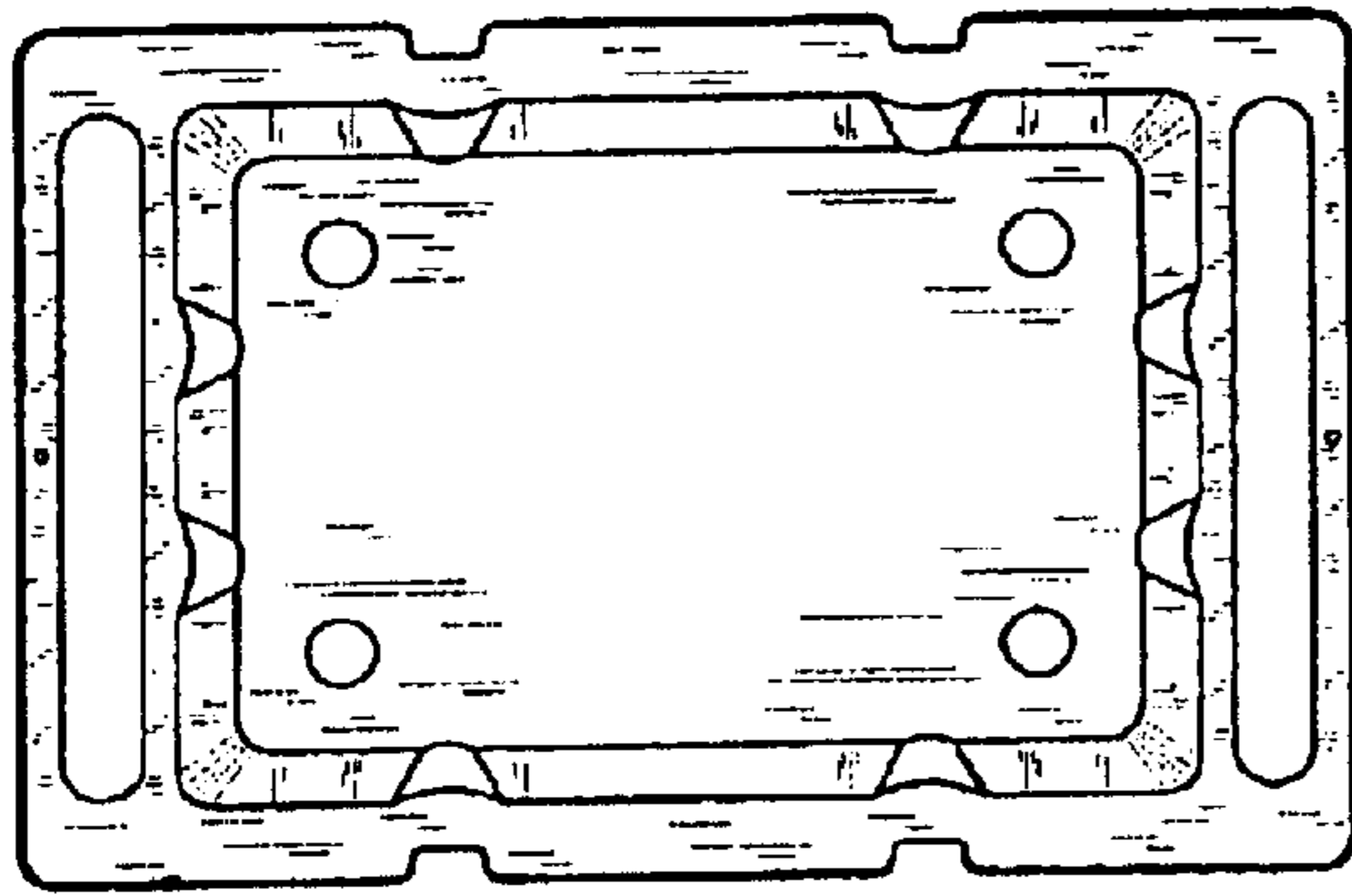


FIG. 2

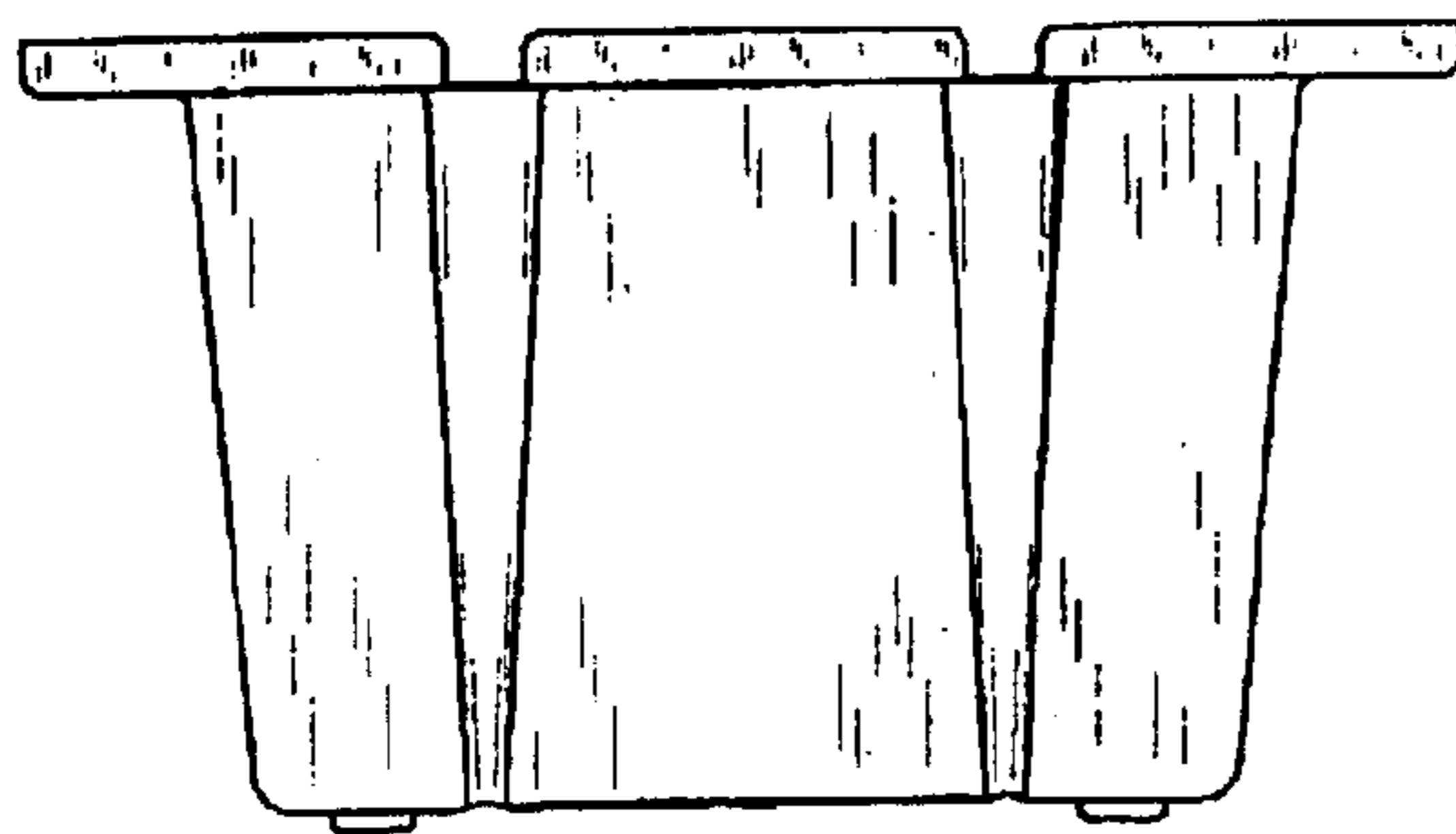


FIG. 1

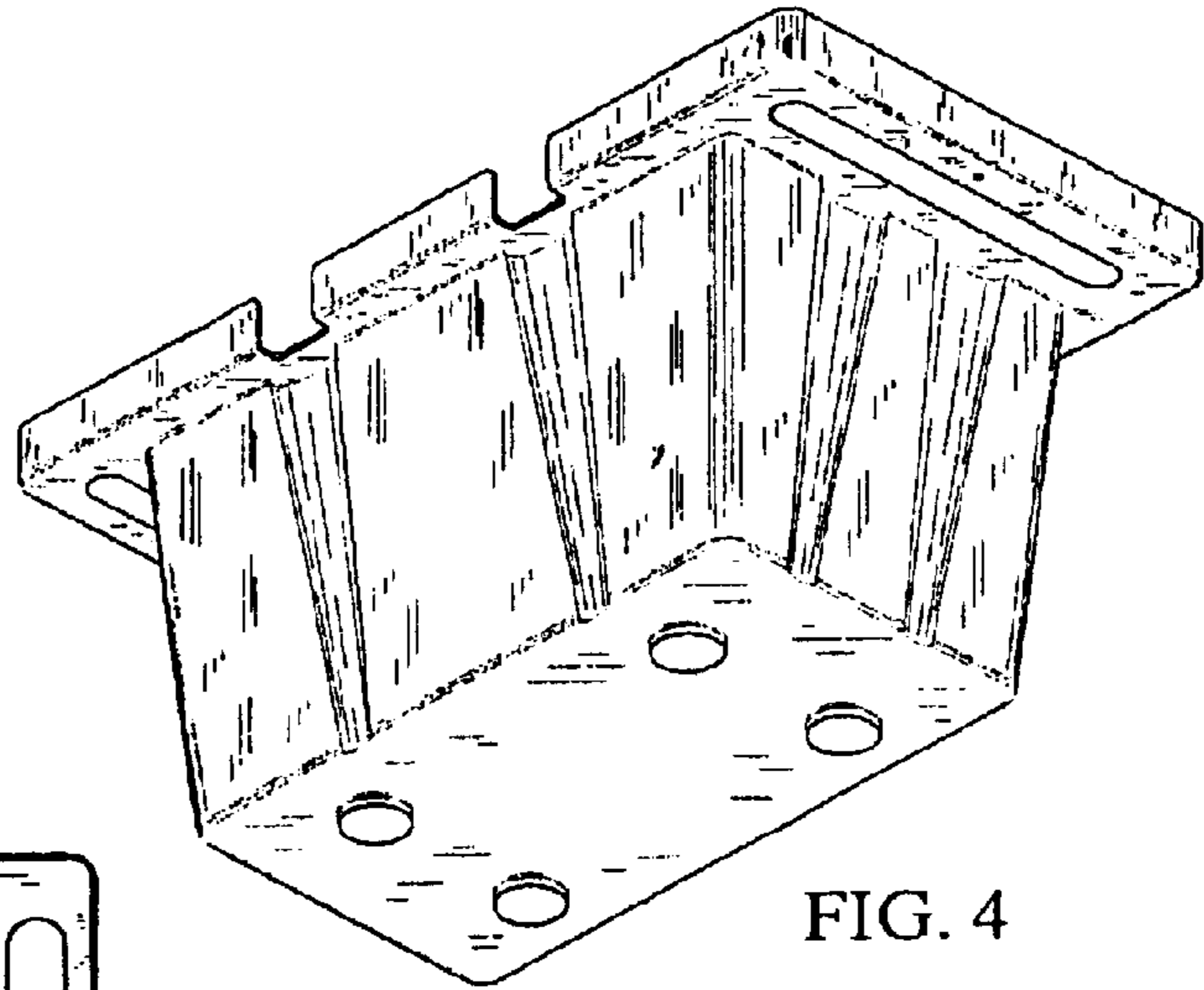


FIG. 4

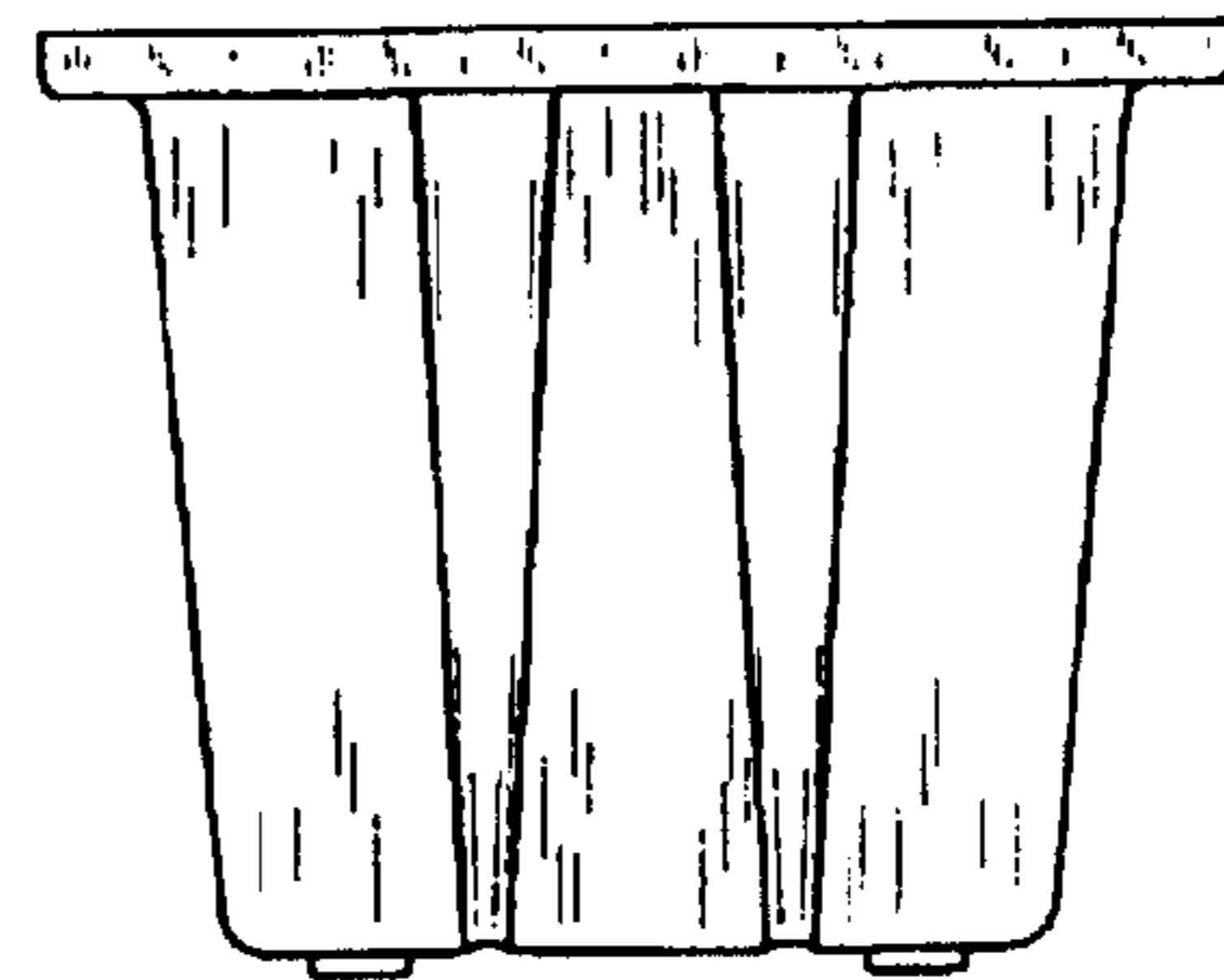


FIG. 3

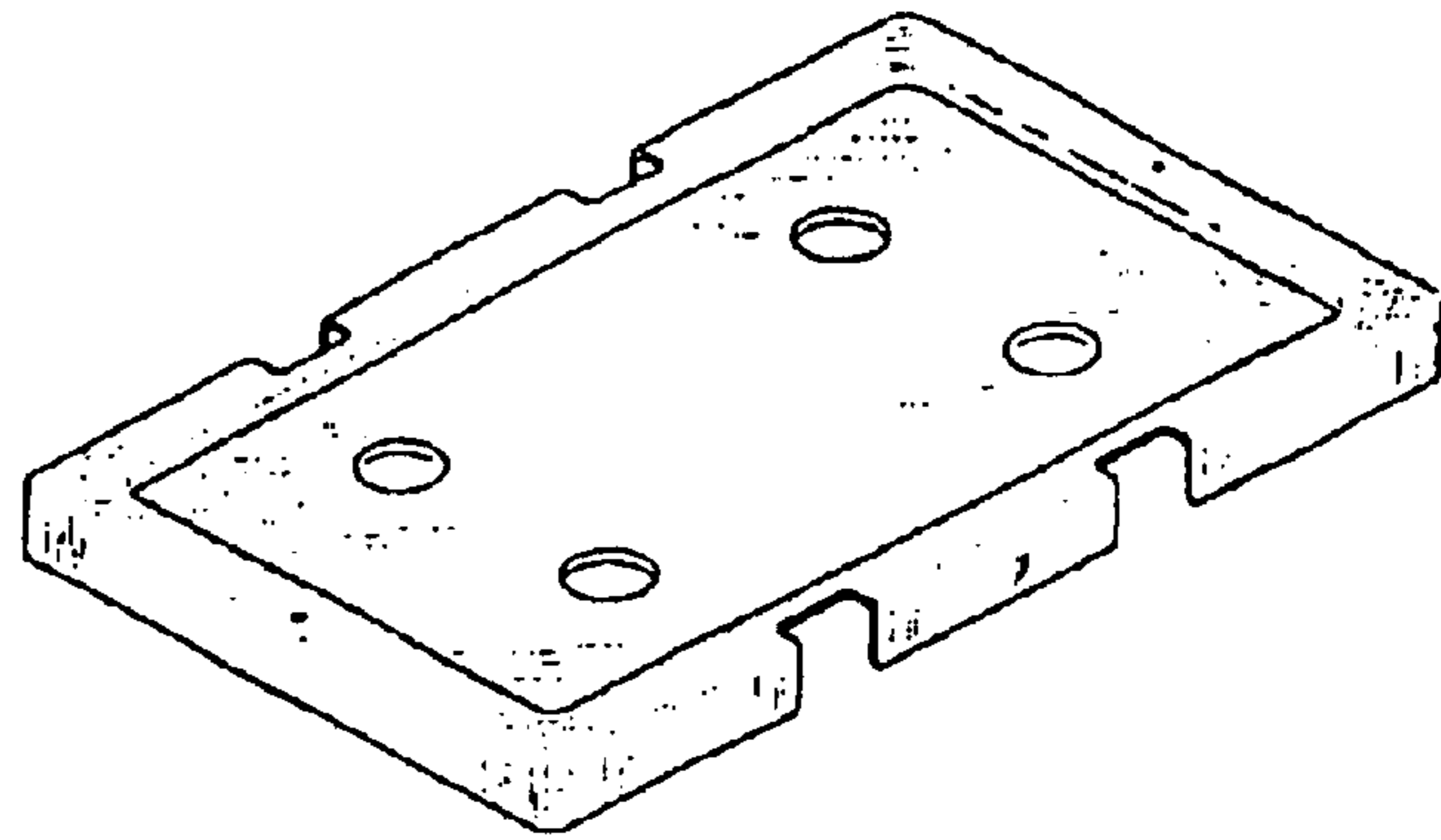


FIG. 7

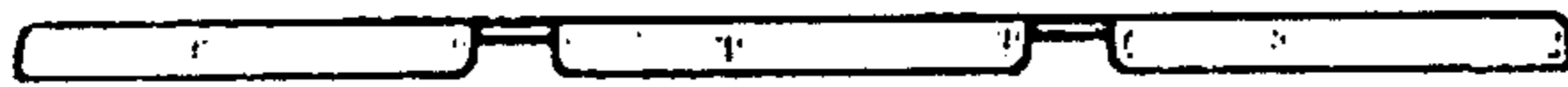


FIG. 5

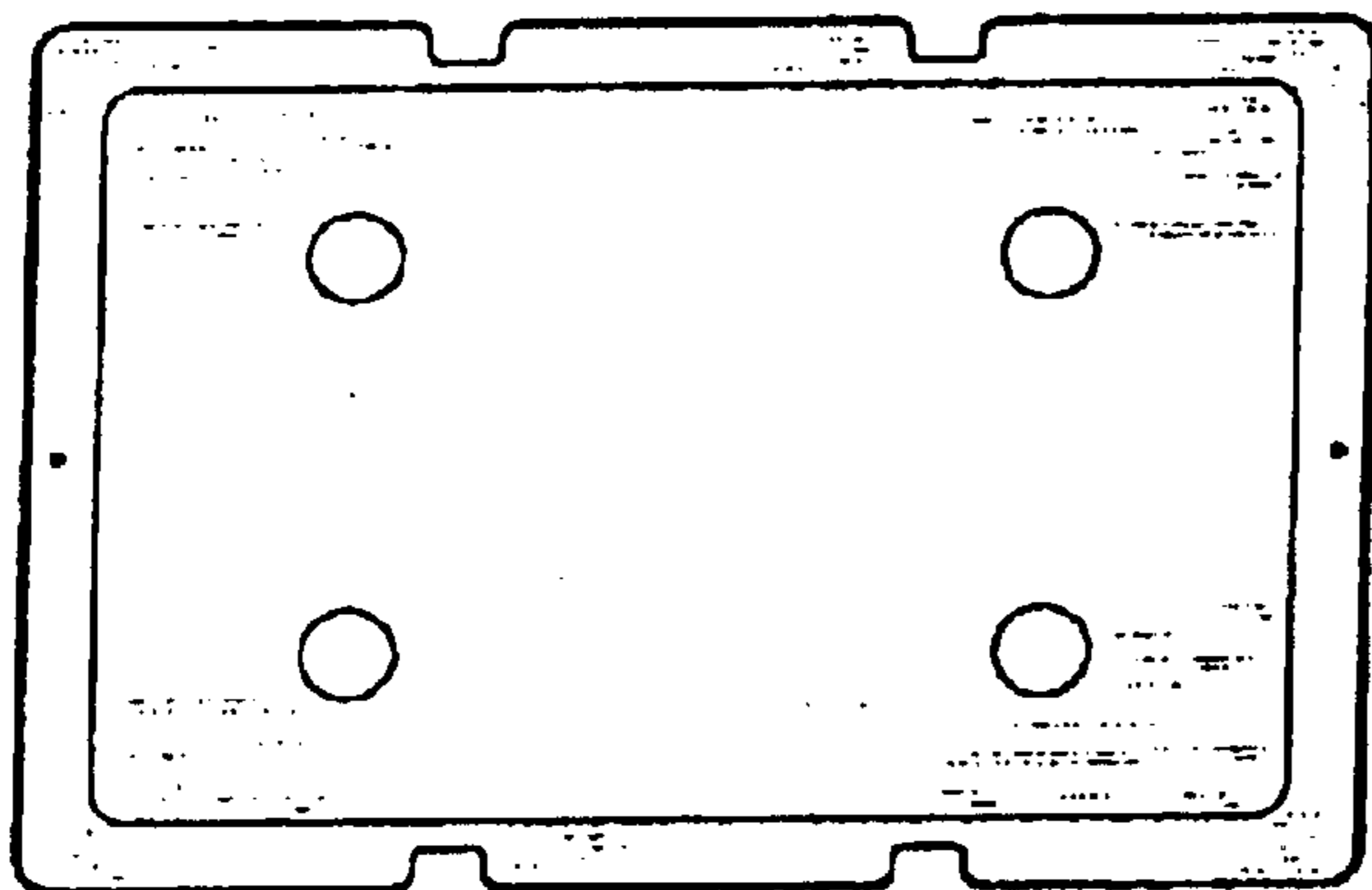


FIG. 6