



US00D500923S

(12) **United States Design Patent** (10) **Patent No.:** **US D500,923 S**
Gonzalez et al. (45) **Date of Patent:** **** Jan. 18, 2005**

(54) **CARRYING CASE**

(75) Inventors: **Jay J. Gonzalez**, Hawthorne, CA (US);
Sandra L. Wirth, Temecula, CA (US)

(73) Assignee: **Targus Group International, Inc.**,
Anaheim, CA (US)

(**) Term: **14 Years**

(21) Appl. No.: **29/185,968**

(22) Filed: **Jul. 7, 2003**

(51) **LOC (7) Cl.** **03-01**

(52) **U.S. Cl.** **D3/301; D3/273; D3/289**

(58) **Field of Search** **D3/218, 273, 284,**
D3/289, 301; D12/415, 416, 423; 224/275,
572; 206/320, 576; 190/100, 107, 109;
348/837; 297/188.06, 188.07

(56) **References Cited**

U.S. PATENT DOCUMENTS

D414,935	S	*	10/1999	Bould	D3/301
6,092,705	A	*	7/2000	Meritt	224/275
6,097,448	A	*	8/2000	Perkins	348/837
D435,343	S	*	12/2000	Eskandry	D3/284
6,216,927	B1	*	4/2001	Meritt	224/275
6,283,299	B1	*	9/2001	Lee	206/760
D473,510	S	*	4/2003	Denmeade	D12/416
D479,186	S	*	9/2003	Hassett	D12/416
6,685,016	B2	*	2/2004	Swaim et al.	206/320

* cited by examiner

Primary Examiner—Philip S. Hyder

(74) *Attorney, Agent, or Firm*—Sterne, Kessler, Goldstein & Fox P.L.L.C.

(57) **CLAIM**

The ornamental design for a carrying case, as shown and described.

DESCRIPTION

FIG. 1 is a top perspective view of a carrying case embodying our new design, the carrying case being shown in its closed position.

FIG. 2 is a top plan view of the carrying case of FIG. 1.

FIG. 3 is a bottom plan view of the carrying case of FIG. 1.

FIG. 4 is a front elevational view of the carrying case of FIG. 1.

FIG. 5 is a rear elevational view of the carrying case of FIG. 1.

FIG. 6 is a left side elevational view of the carrying case of FIG. 1.

FIG. 7 is a right side elevational view of the carrying case of FIG. 1.

FIG. 8 is a top perspective view of the carrying case of FIG. 1, with one panel in an open position.

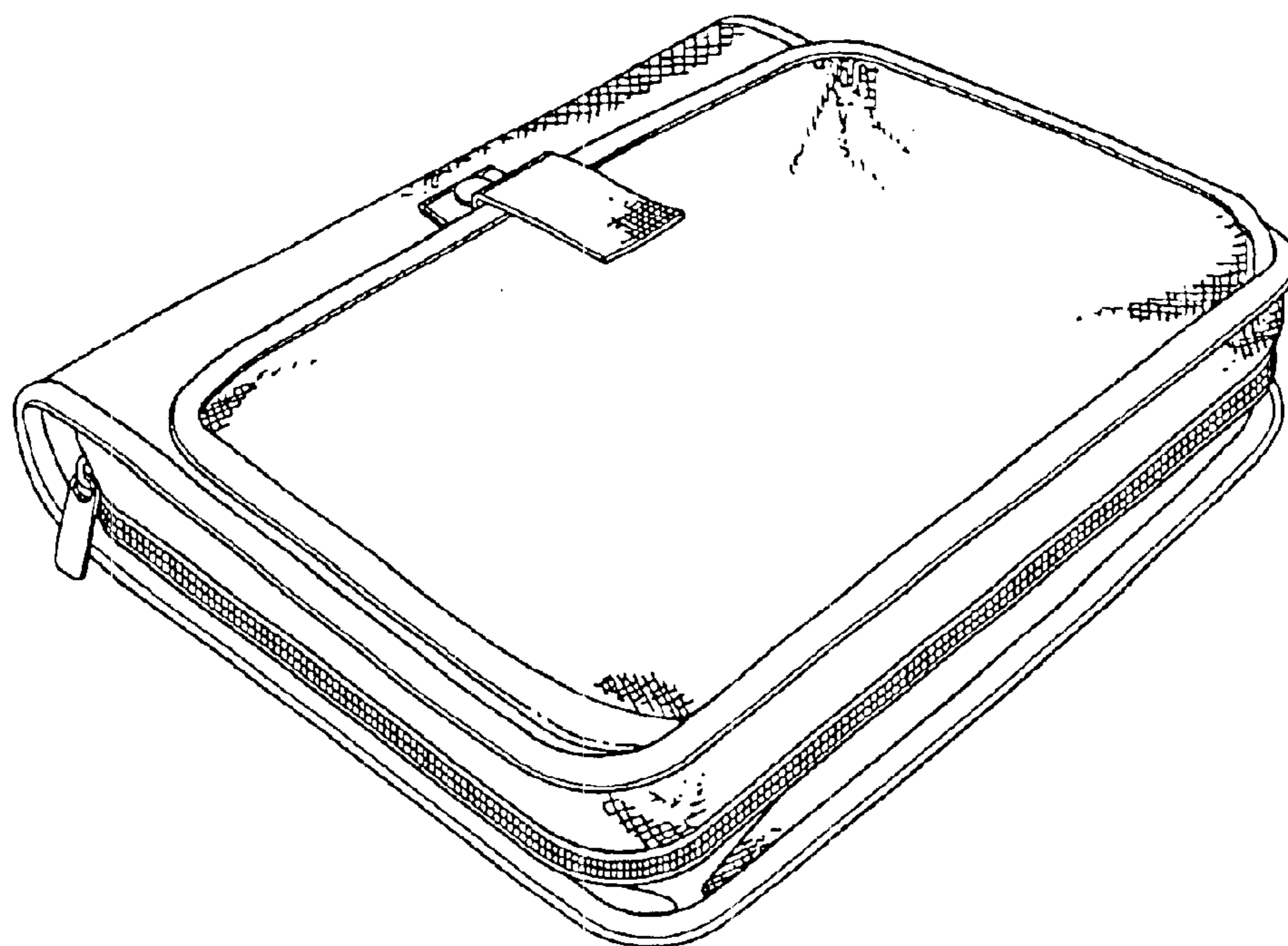
FIG. 9 is a top perspective view of the carrying case of FIG. 1, in a fully open position.

FIG. 10 is a bottom perspective view of the carrying case of FIG. 1, in a fully open position; and,

FIG. 11 is a top perspective view of the carrying case of FIG. 1, in an open position with a portion of the carrying case folded back under, and coupled to, itself.

The cross hatching shown in the figures is for illustrative purposes to indicate contours of the design.

1 Claim, 7 Drawing Sheets



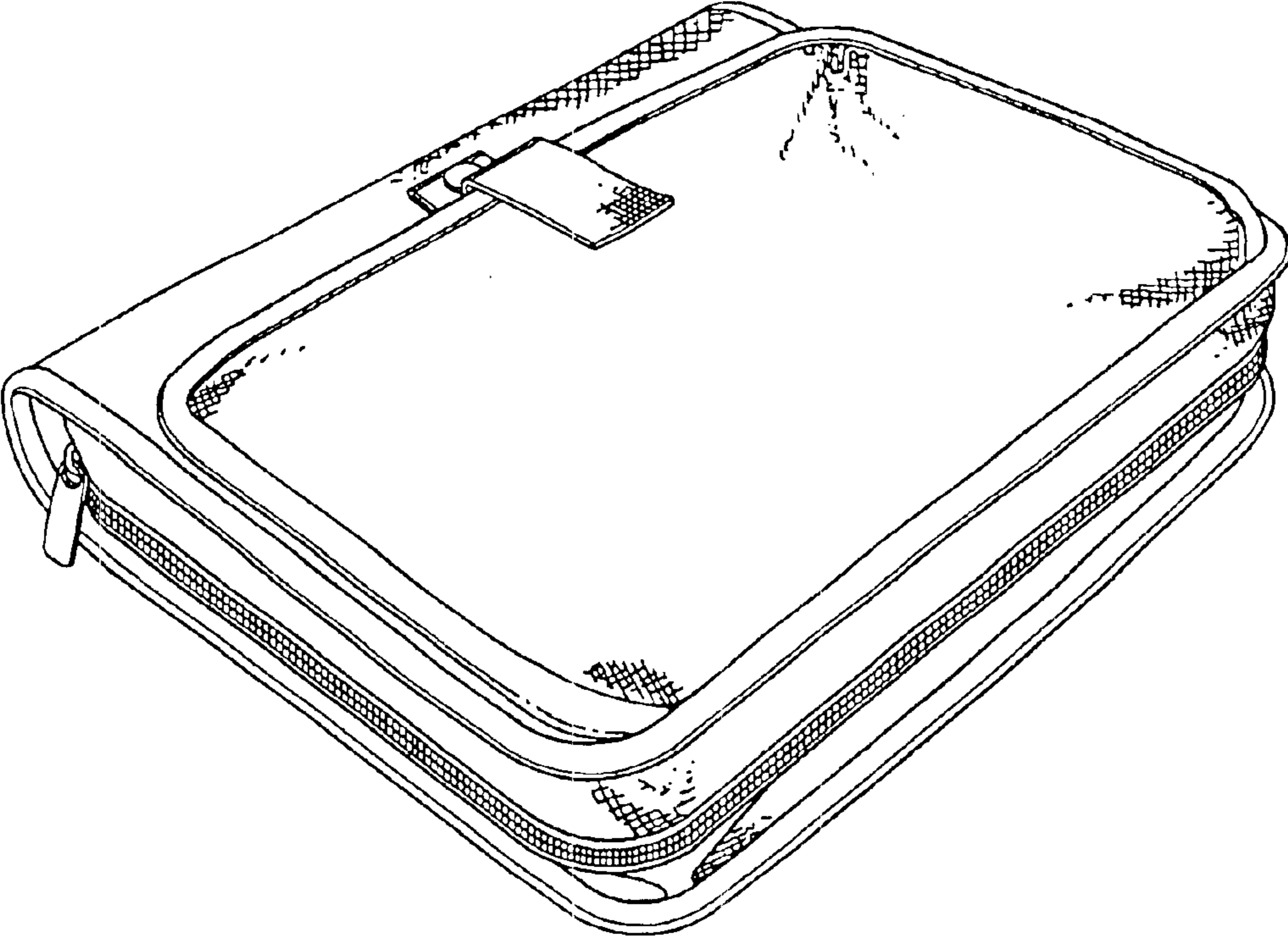


FIG. 1

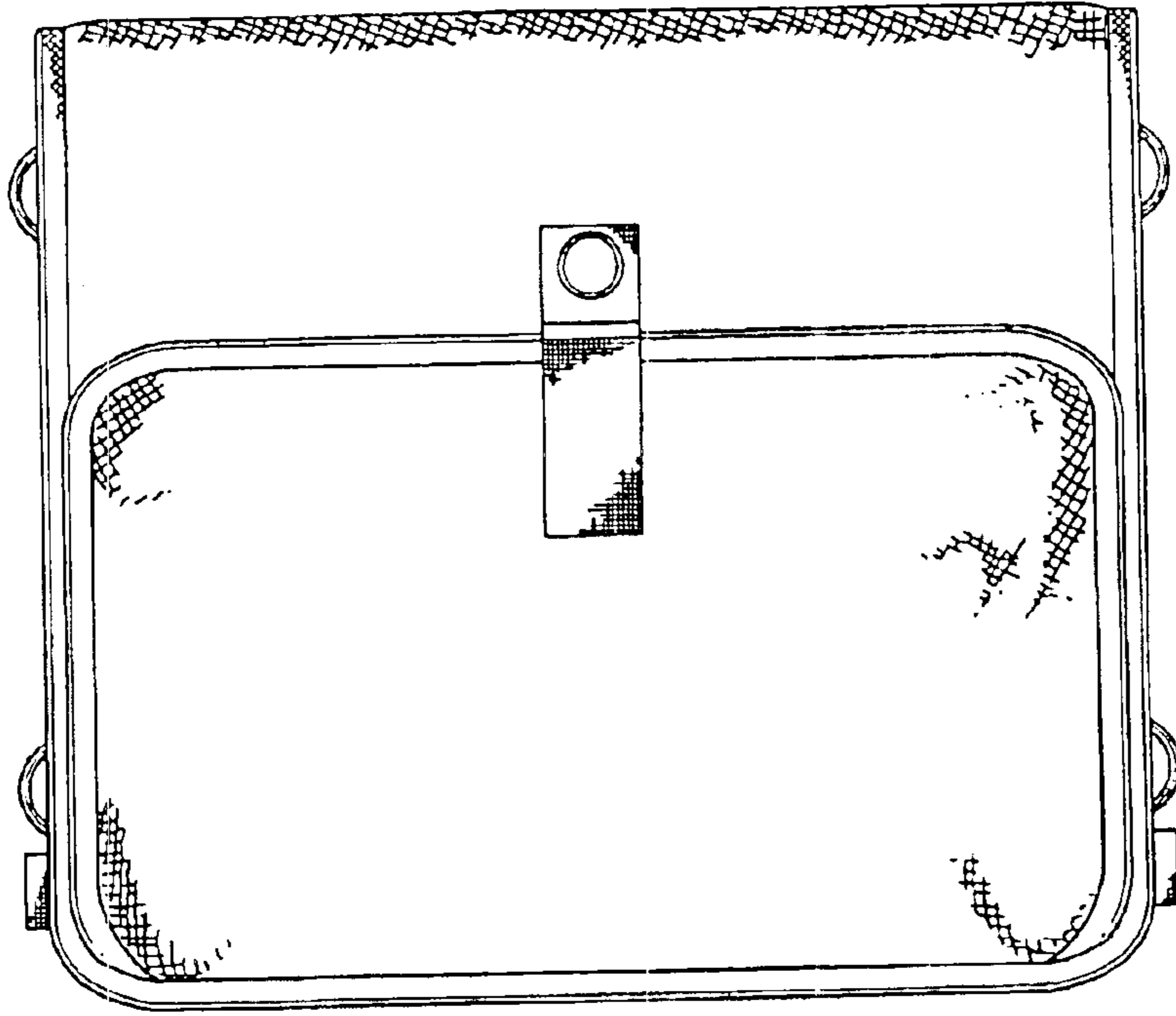


FIG. 2

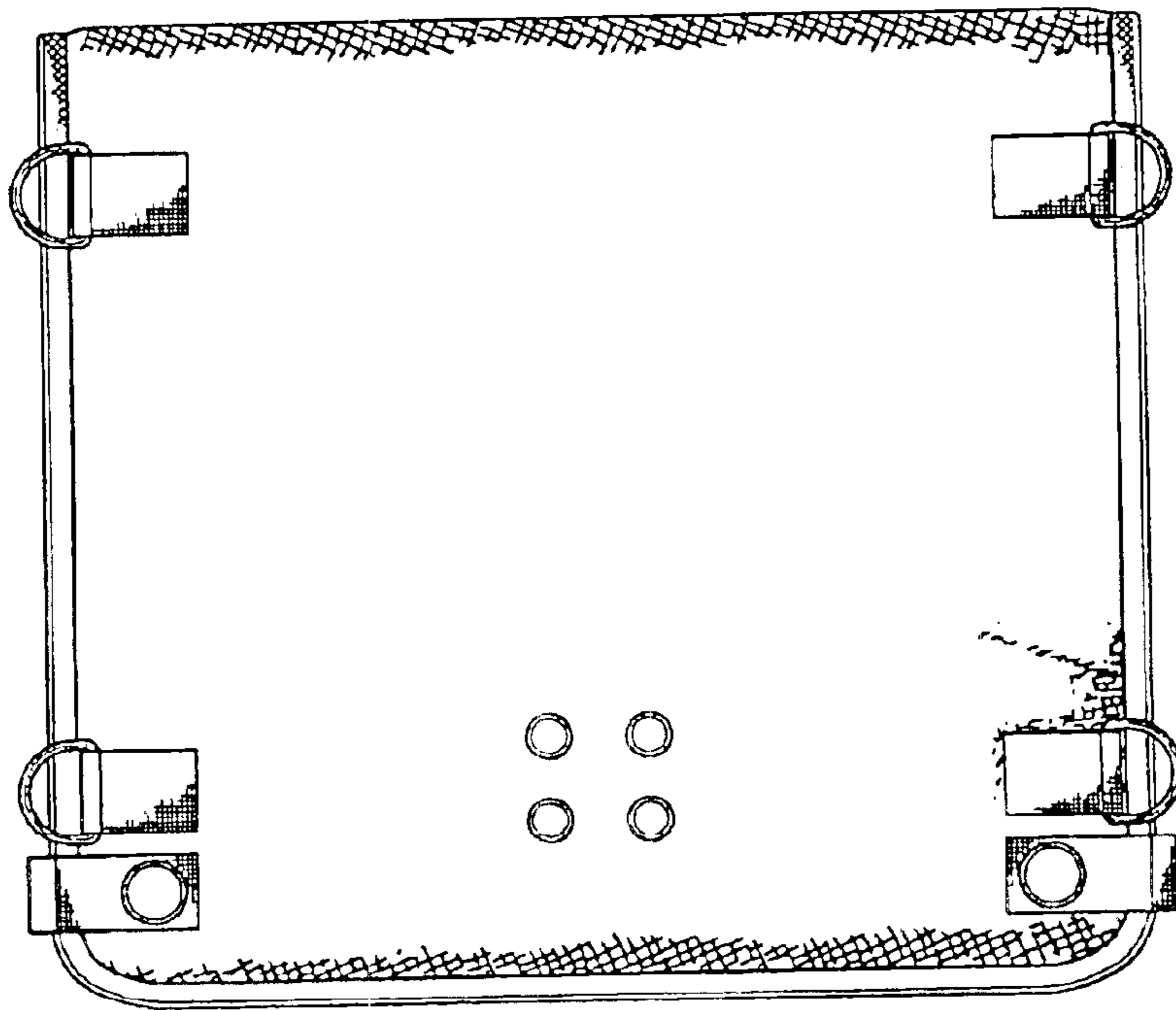


FIG. 3

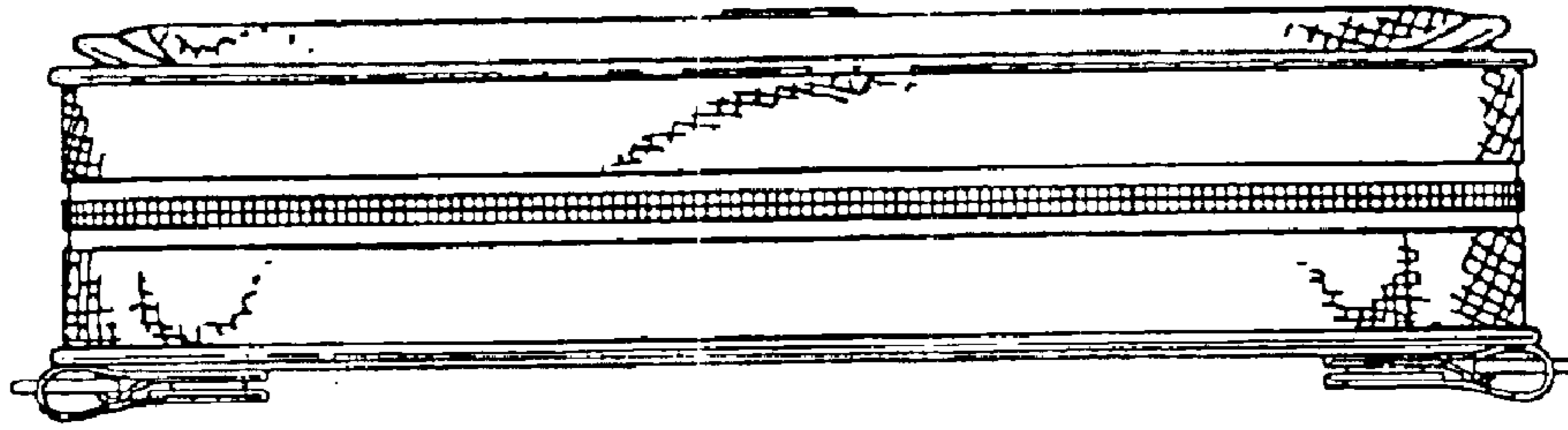


FIG. 4

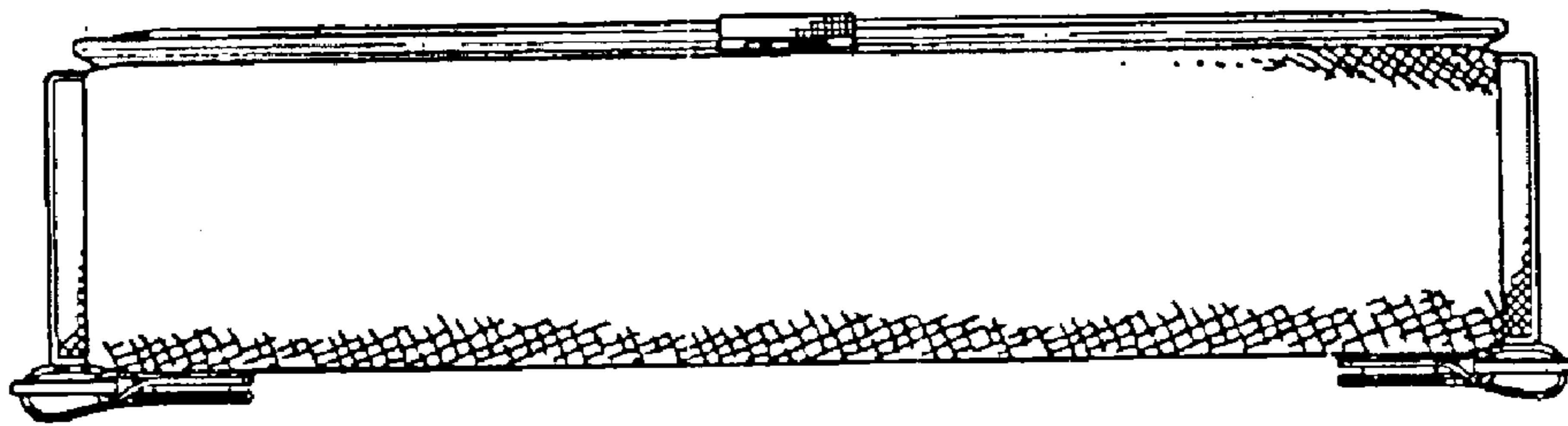


FIG. 5

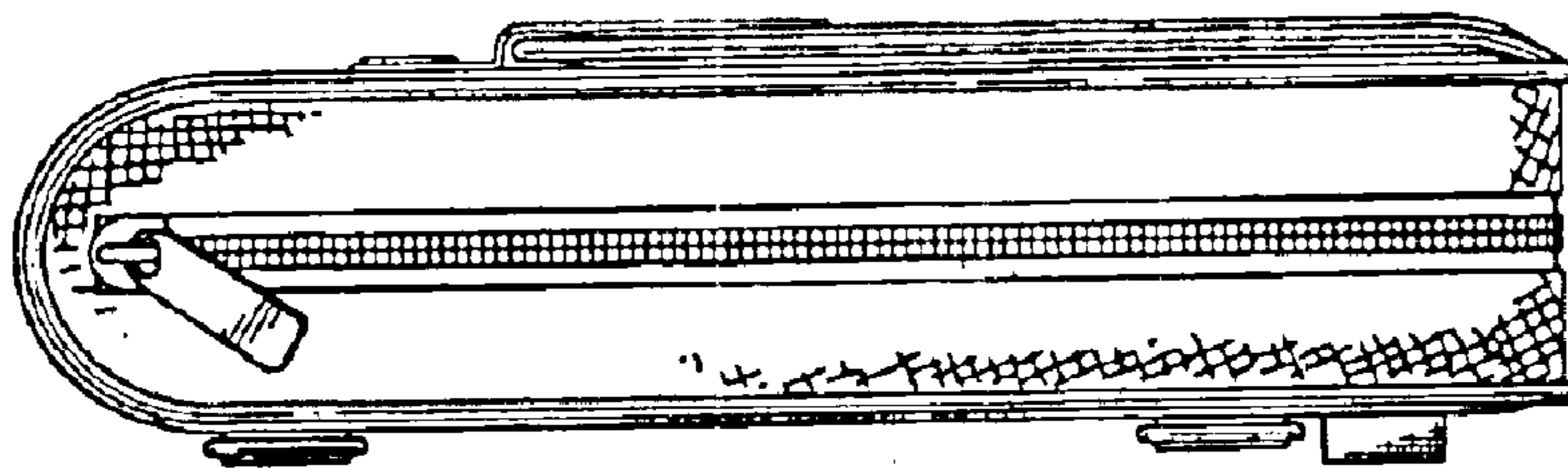


FIG. 6

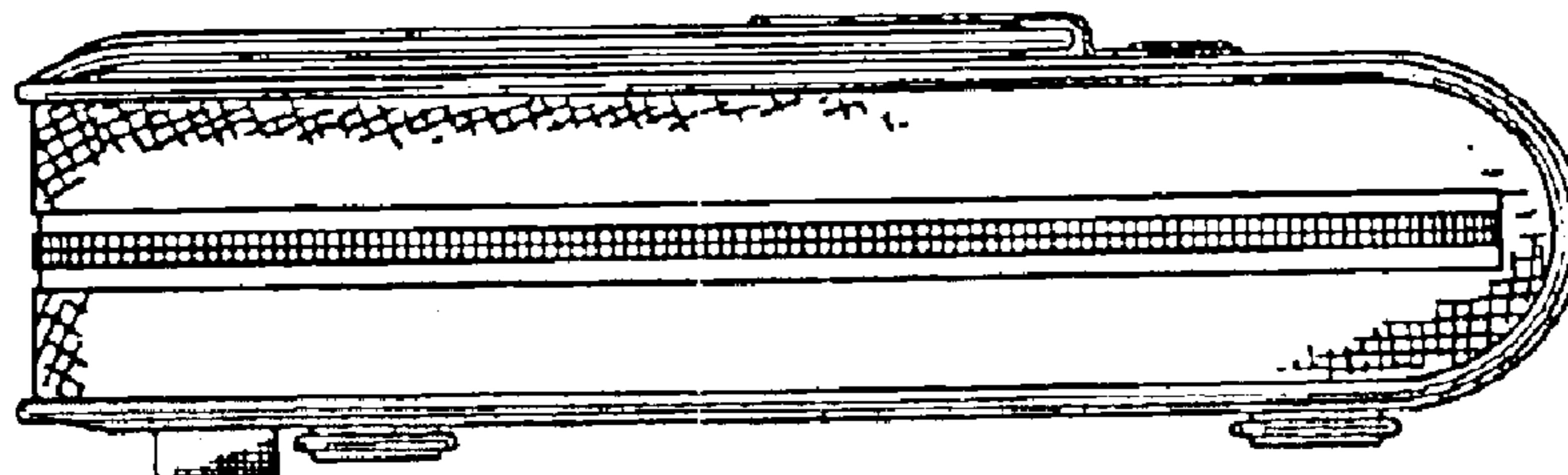


FIG. 7

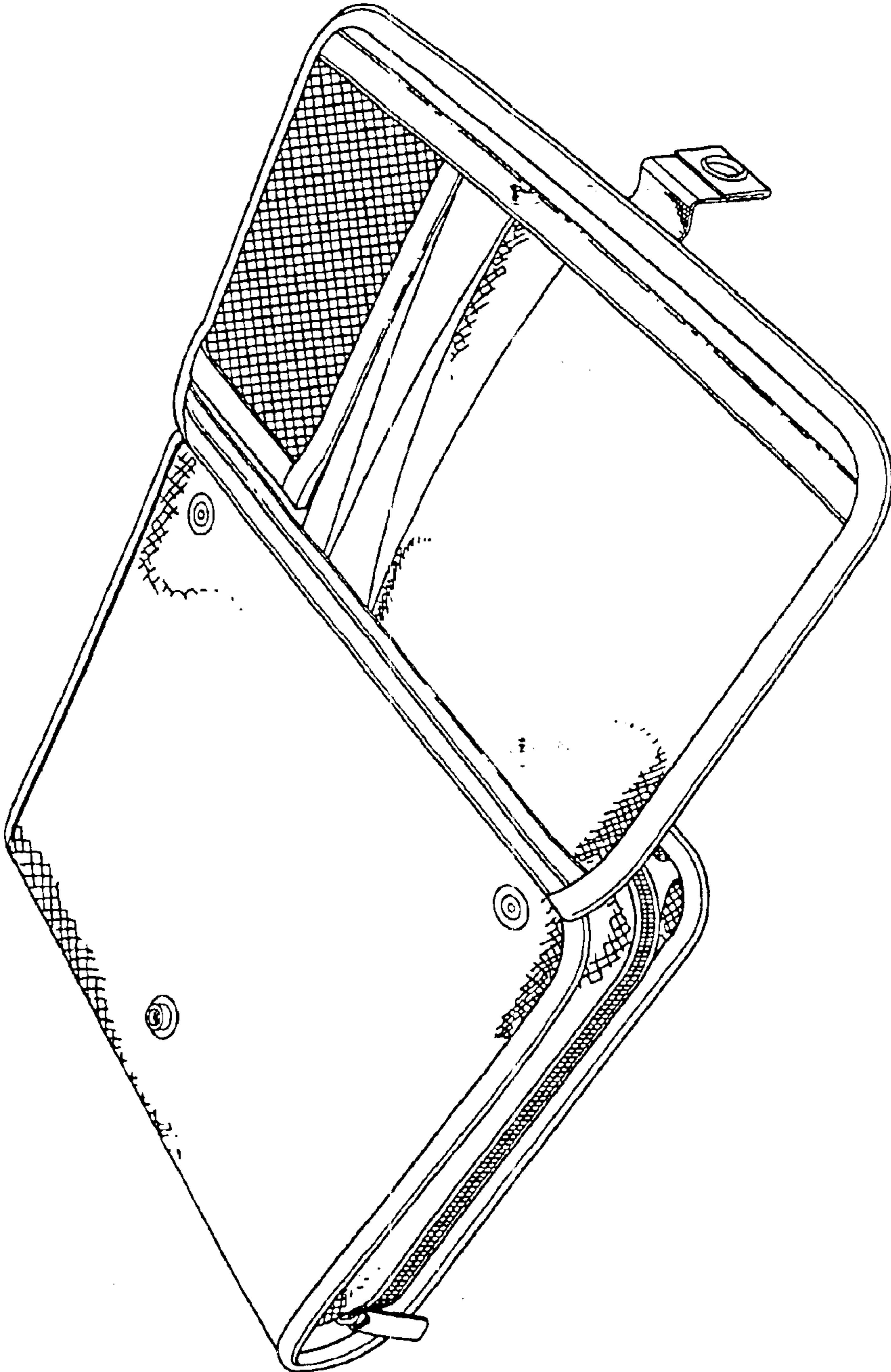


FIG. 8

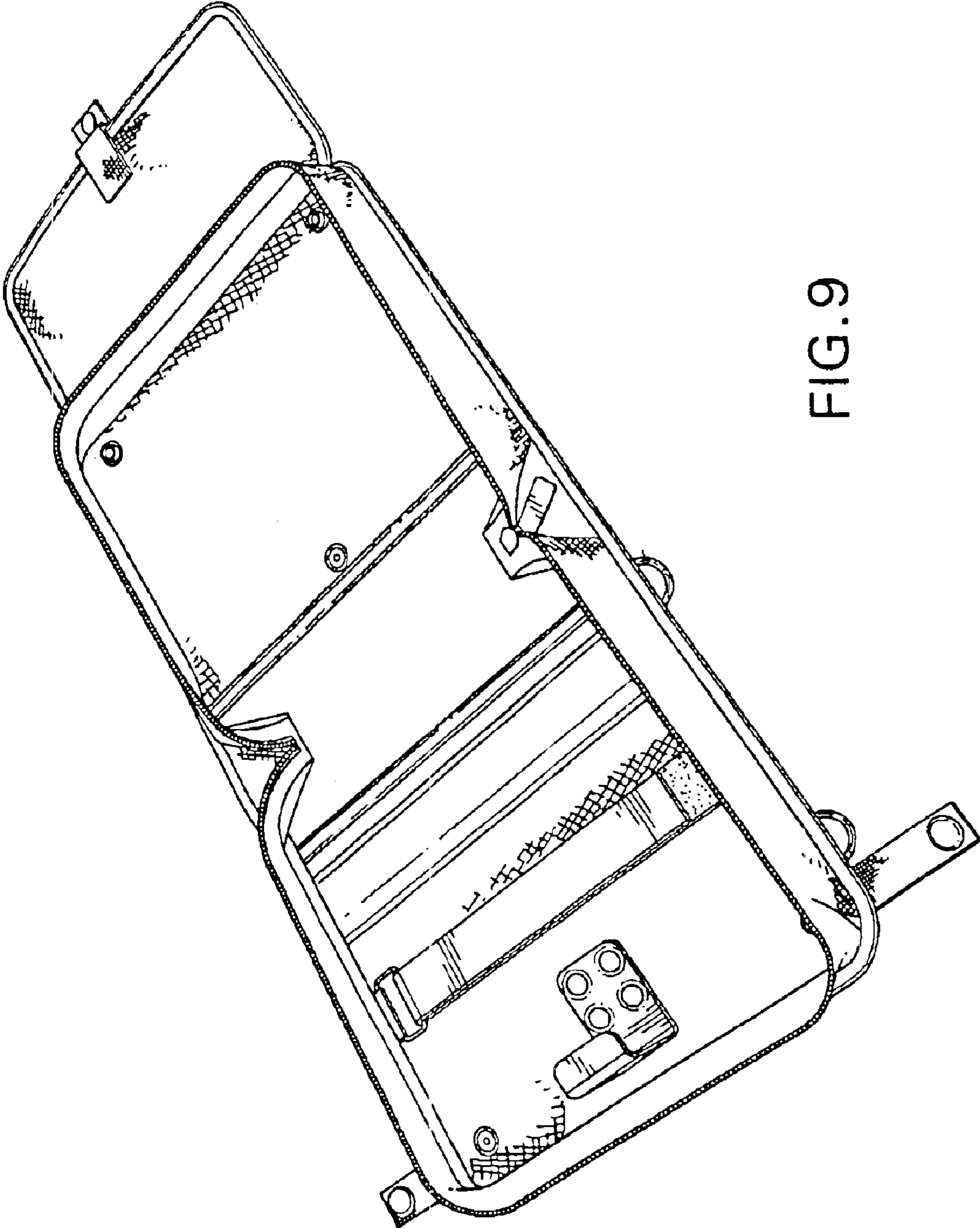


FIG. 9

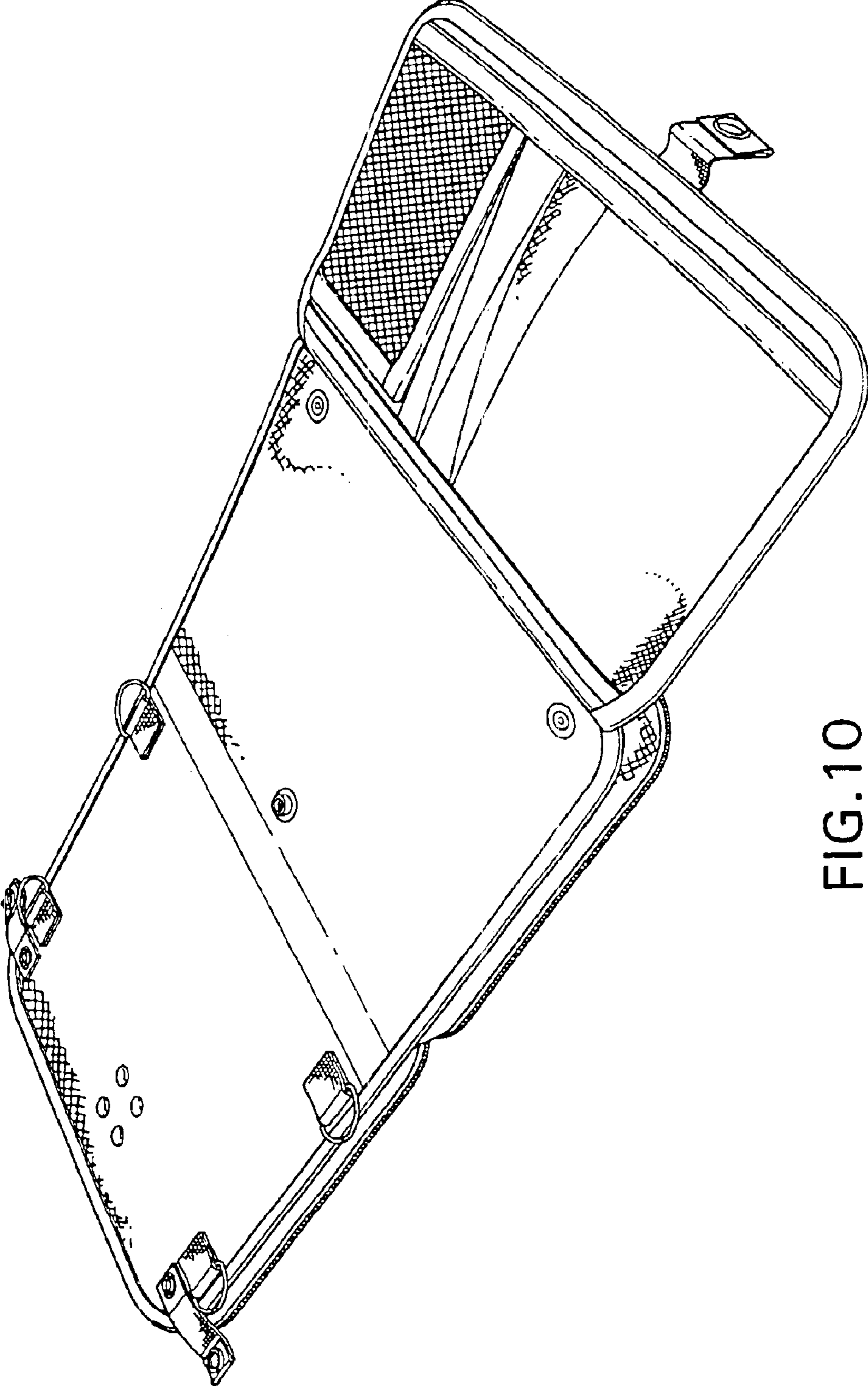


FIG.10

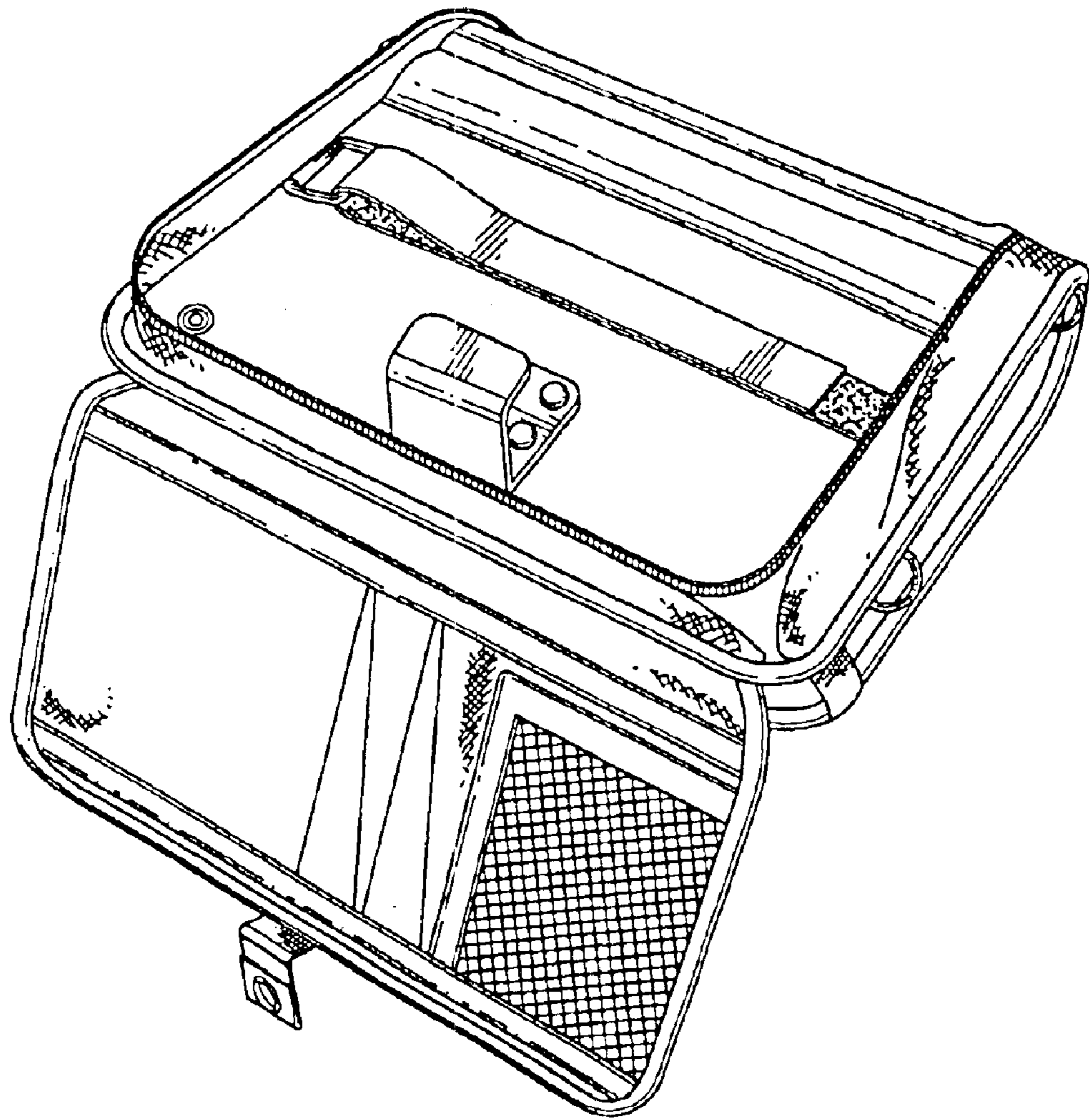


FIG. 11