

US00D500922S

(12) **United States Design Patent** (10) **Patent No.:** **US D500,922 S**
Perella et al. (45) **Date of Patent:** **** Jan. 18, 2005**

(54) **STORAGE DEVICE**

D467,423 S * 12/2002 Wolf D3/276

(75) Inventors: **Daniel Perella**, Hudson, OH (US);
Anthony DeCarlo, Bay Village, OH (US); **Vincent Thomson**, Avon Lake, OH (US)

* cited by examiner

Primary Examiner—Philip S. Hyder
(74) *Attorney, Agent, or Firm*—Pillsbury Winthrop LLP

(73) Assignee: **IdeaStream Consumer Products, Inc.**,
Parma, OH (US)

(57) **CLAIM**

The ornamental design for a storage device, as shown and described.

(**) Term: **14 Years**

DESCRIPTION

(21) Appl. No.: **29/181,736**

A portion of the disclosure of this patent document contains material to which a claim for copyright is made. The copyright owner has no objection to the facsimile reproduction of the patent document of the patent disclosure, as it appears in the Patent and Trademark Office patent file or records, but reserves all other copyrights whatsoever.

(22) Filed: **May 16, 2003**

(51) **LOC (7) Cl.** **03-01**

(52) **U.S. Cl.** **D3/273; D3/321**

(58) **Field of Search** D3/272, 273, 276,
D3/281, 282, 291, 294, 900, 321; 190/900,
100, 124, 127

FIG. 1 is a perspective view of a storage device embodying our new design,

FIG. 2 is a left side elevational view of the storage device of FIG. 1;

FIG. 3 is a right side elevational view of the storage device of FIG. 1;

FIG. 4 is a front elevational view of the storage device of FIG. 1;

FIG. 5 is a rear elevational view of the storage device of FIG. 1; and,

FIG. 6 is a top plan view of the storage device of FIG. 1.

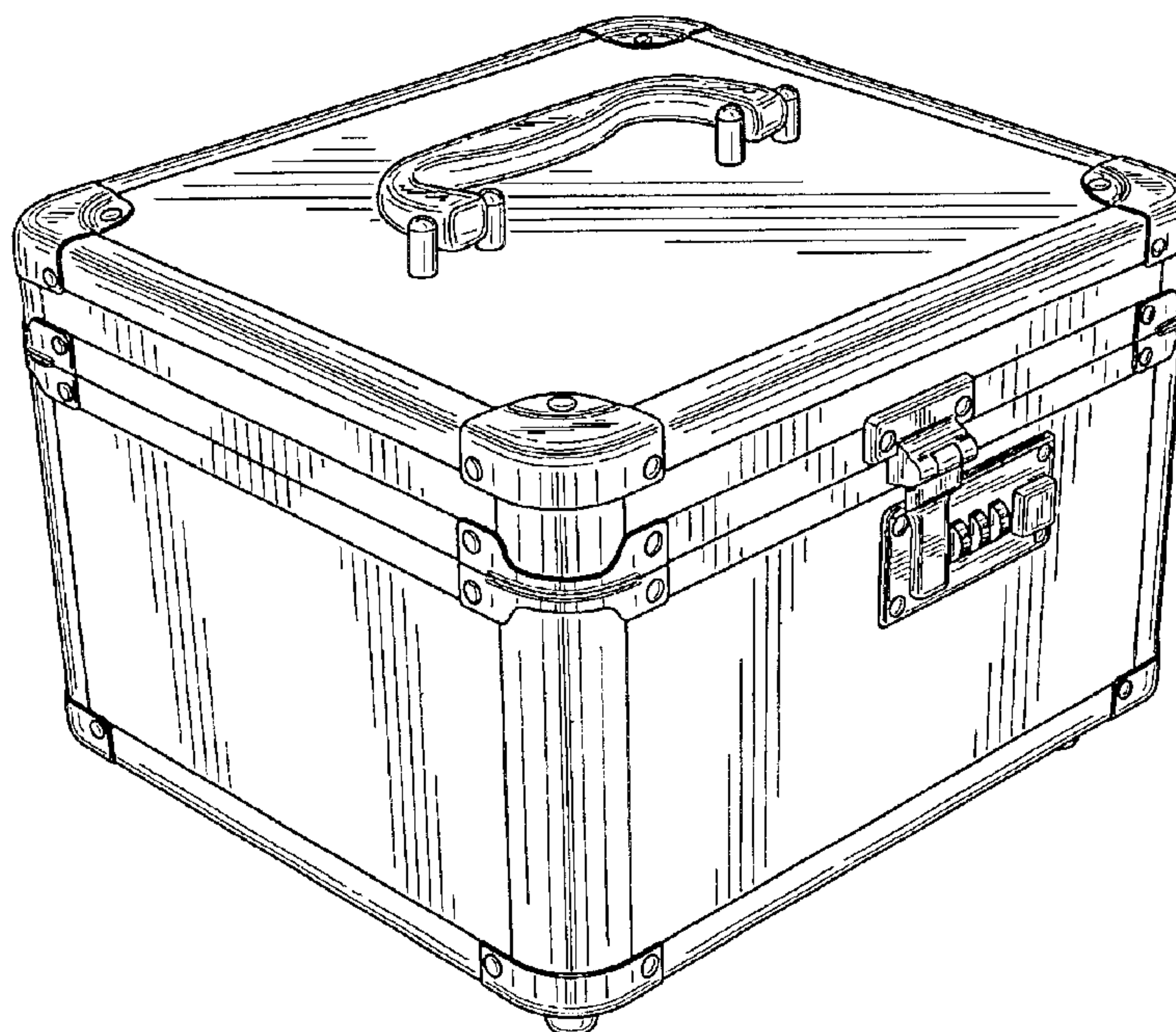
The broken lines showings of the hardware are for illustrative purposes only and form no part of the claimed design.

(56) **References Cited**

U.S. PATENT DOCUMENTS

D129,108 S	*	8/1941	Sprague	D3/268
D247,993 S	*	5/1978	Calzone, III	D3/204
4,509,622 A	*	4/1985	Morszeck	190/119
D285,626 S	*	9/1986	Yen	D3/292
D288,863 S	*	3/1987	Vuitton	D3/289
4,669,587 A	*	6/1987	Zitt	190/109
D378,164 S	*	2/1997	Lee	D3/276
D414,037 S	*	9/1999	Akaike et al.	D3/276
D415,614 S	*	10/1999	Akaike et al.	D3/276
D439,044 S	*	3/2001	Cheng	D3/276

1 Claim, 6 Drawing Sheets



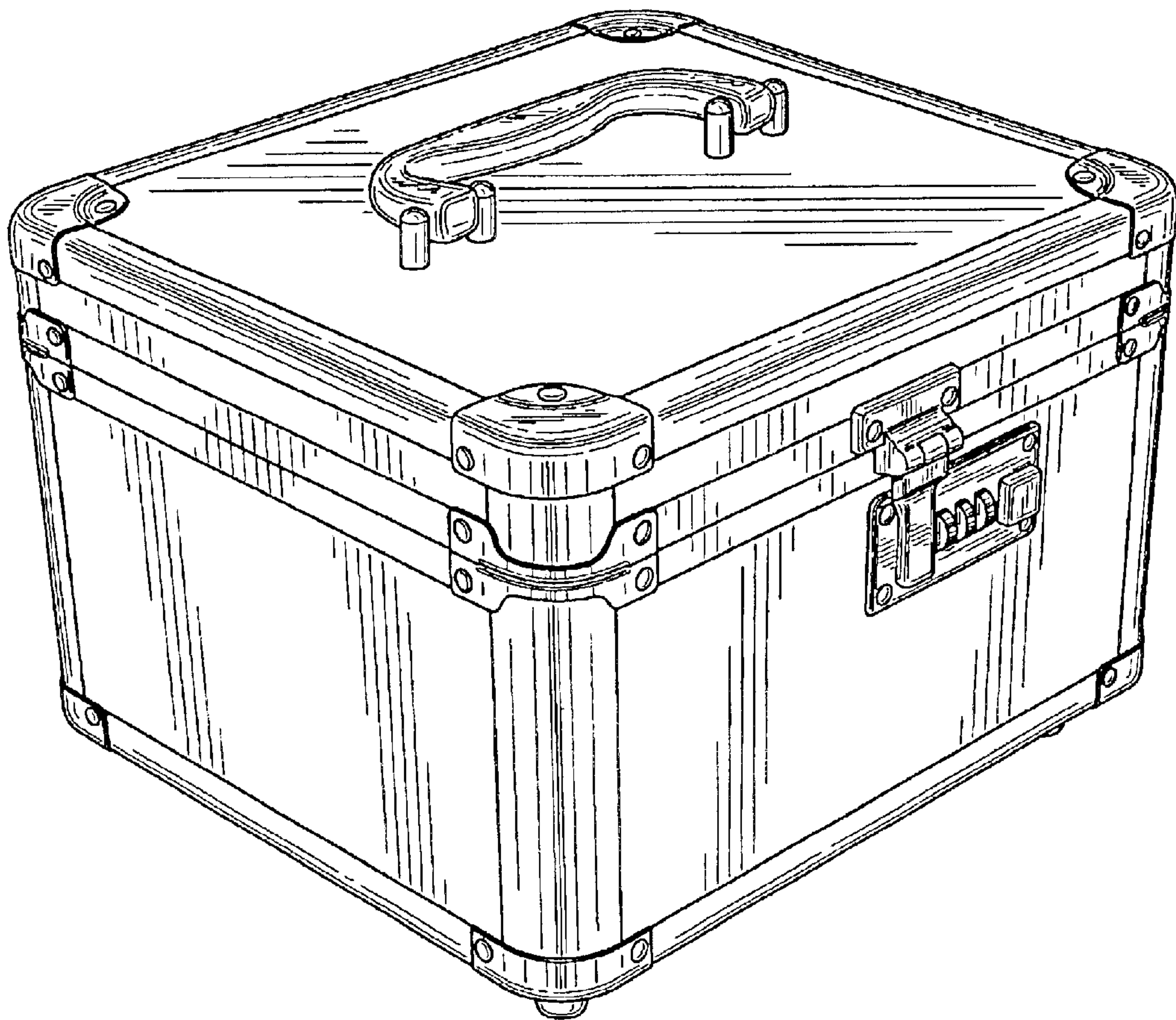


FIG. 1

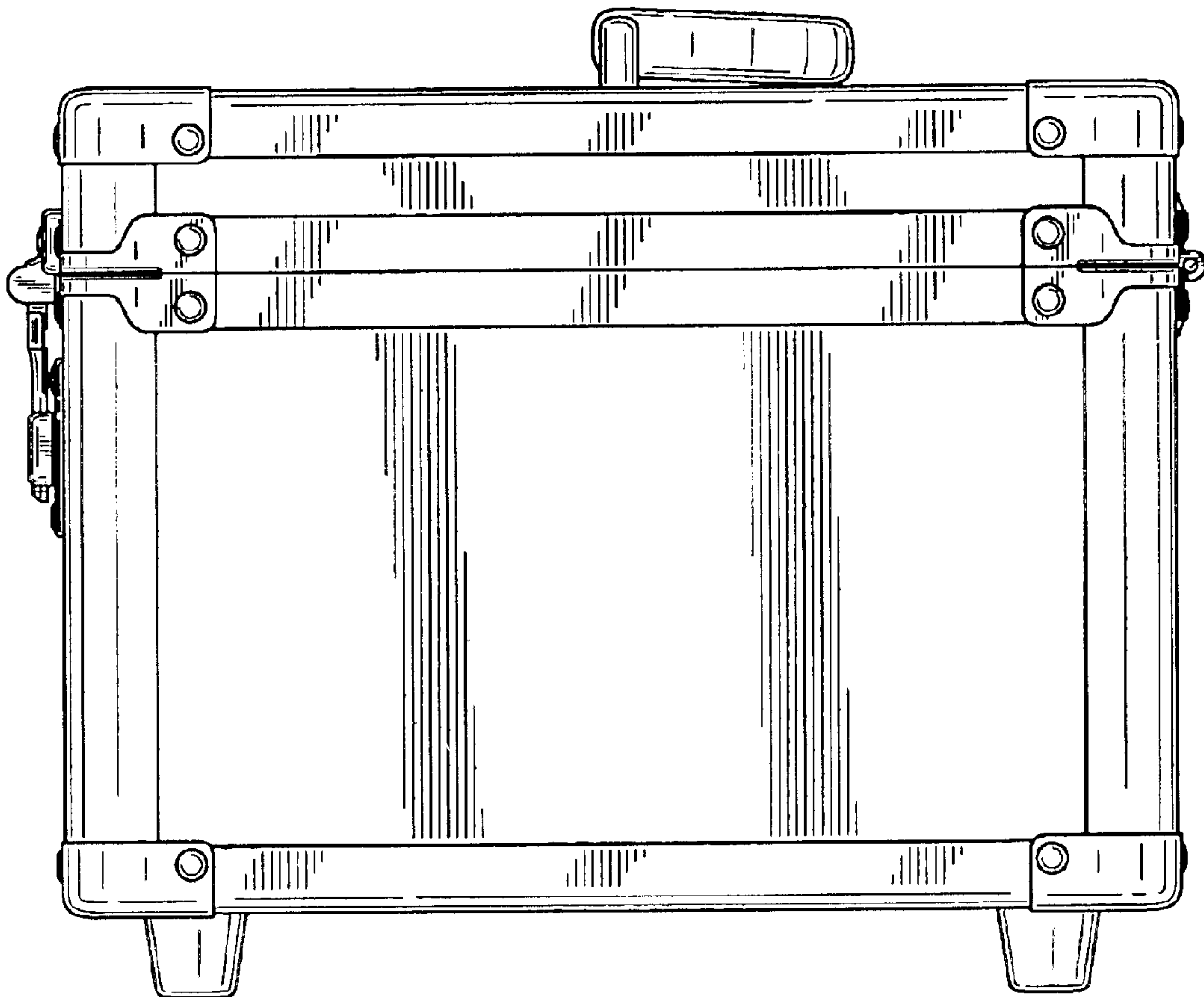


FIG. 2

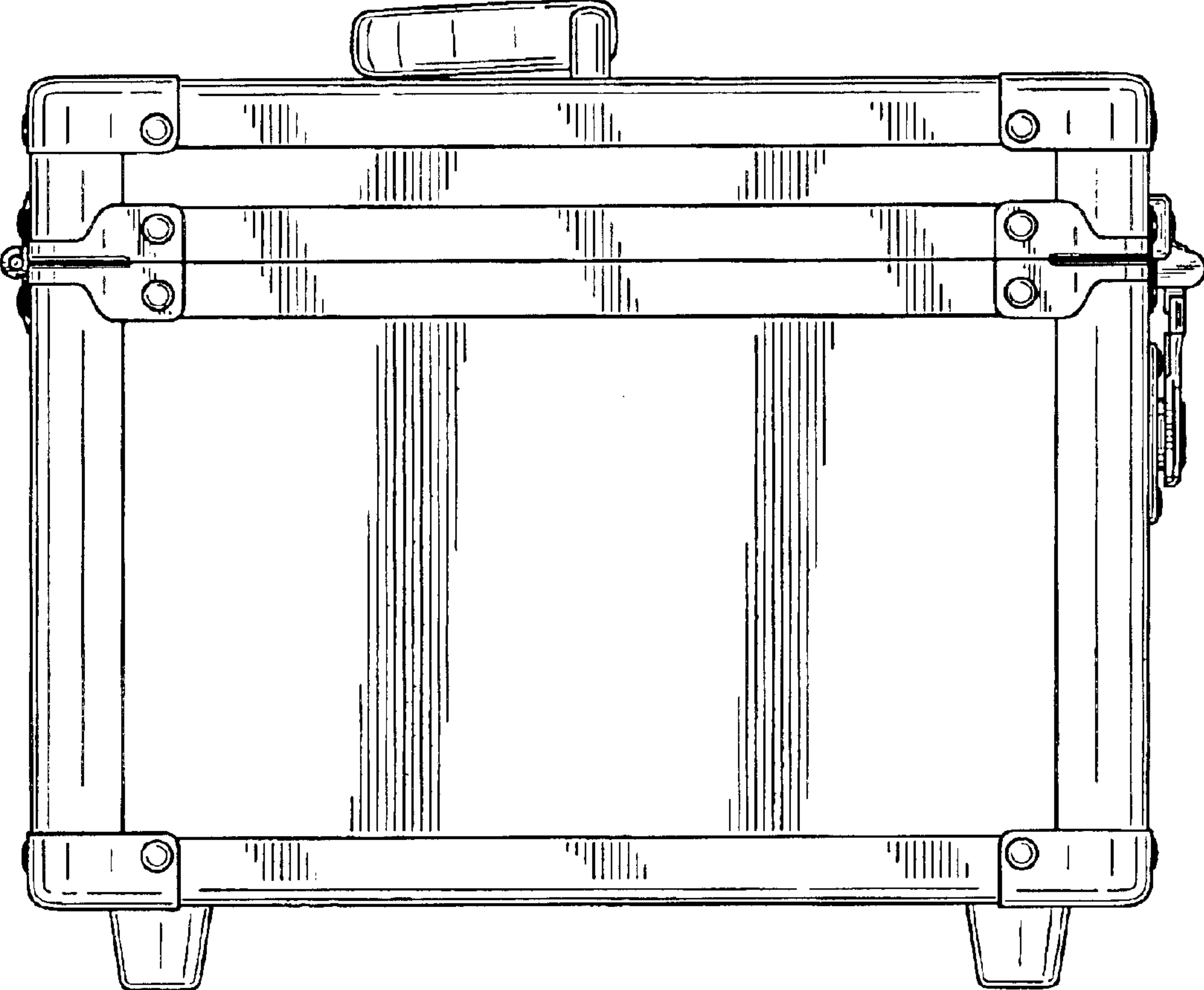


FIG. 3

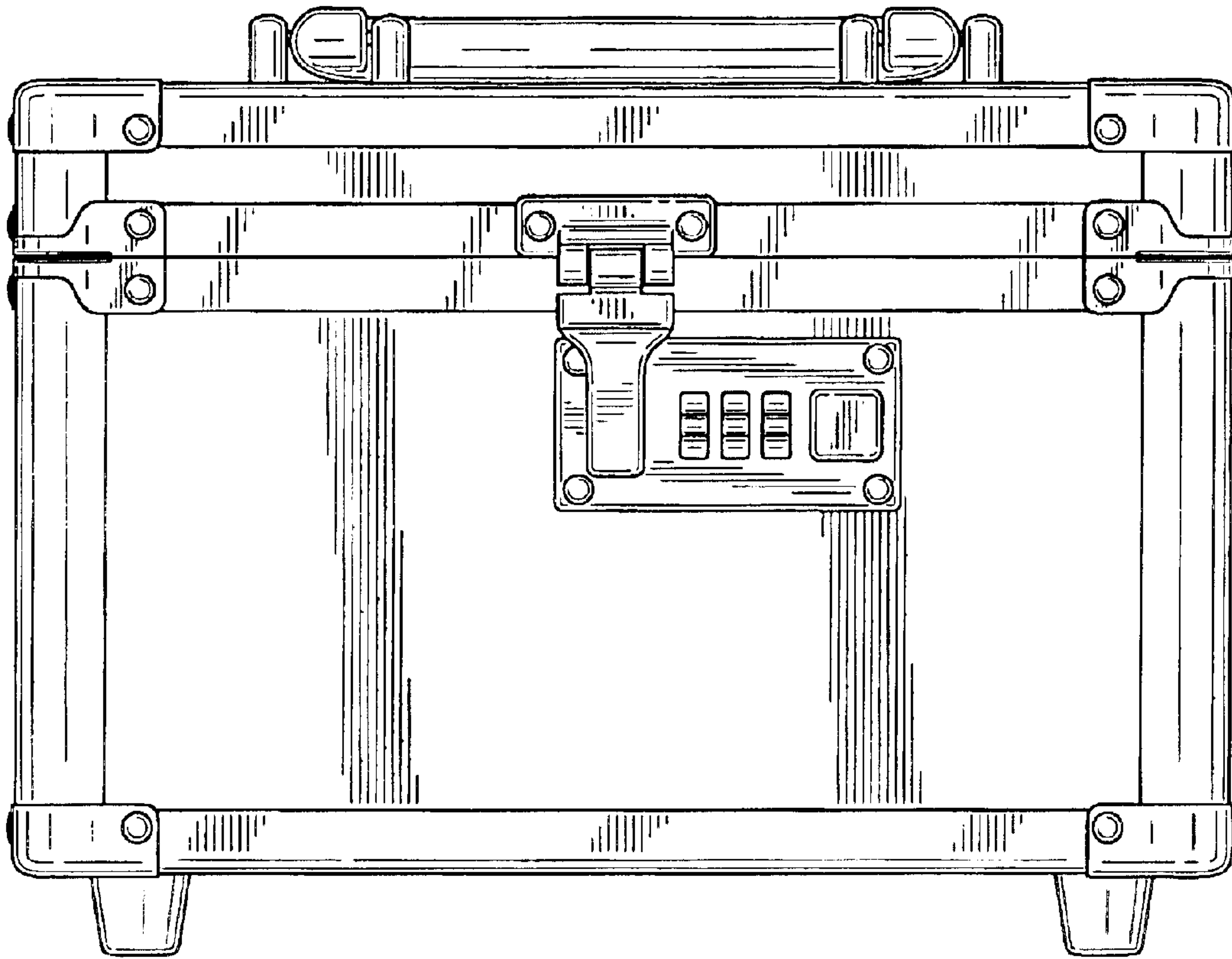


FIG. 4

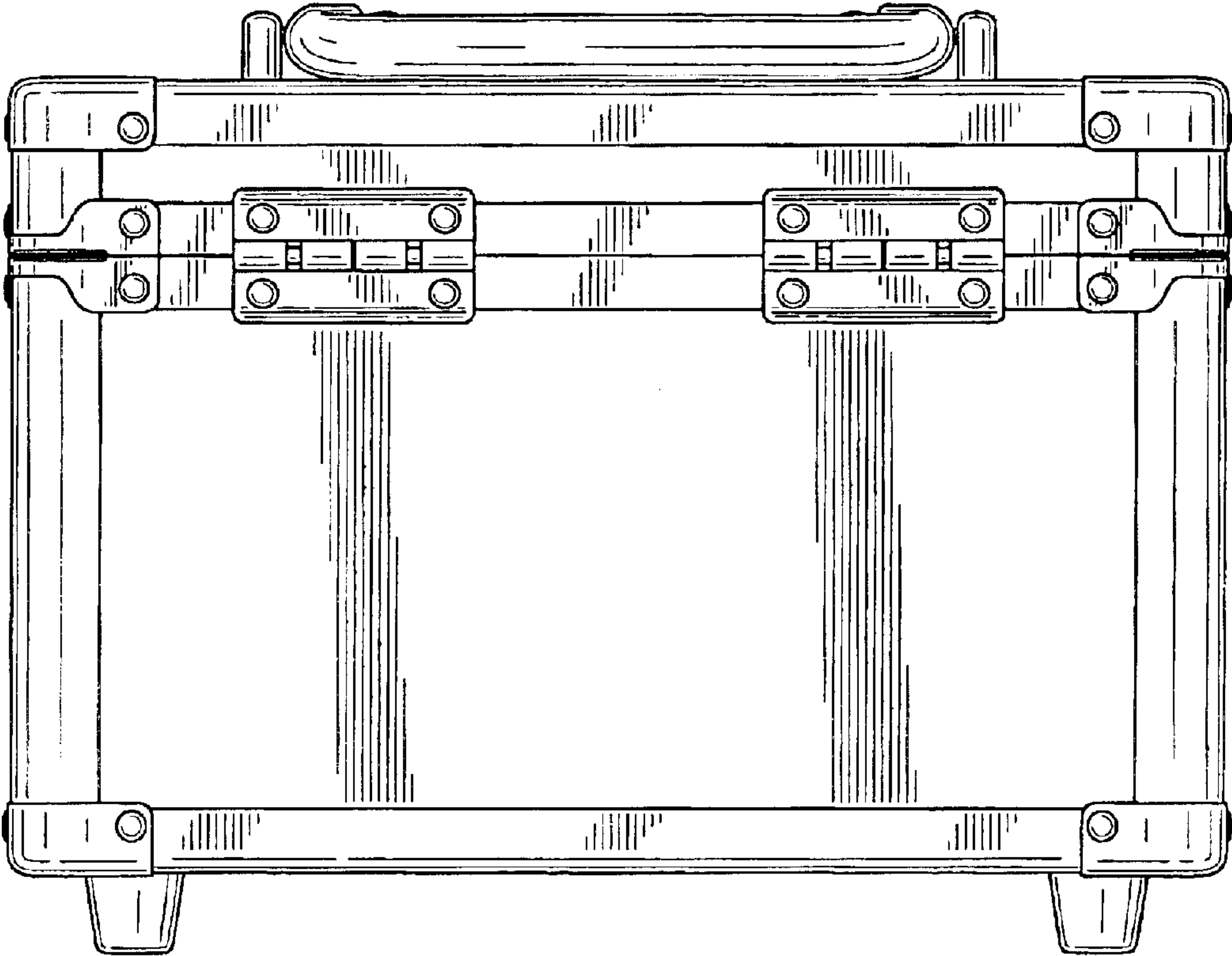


FIG. 5

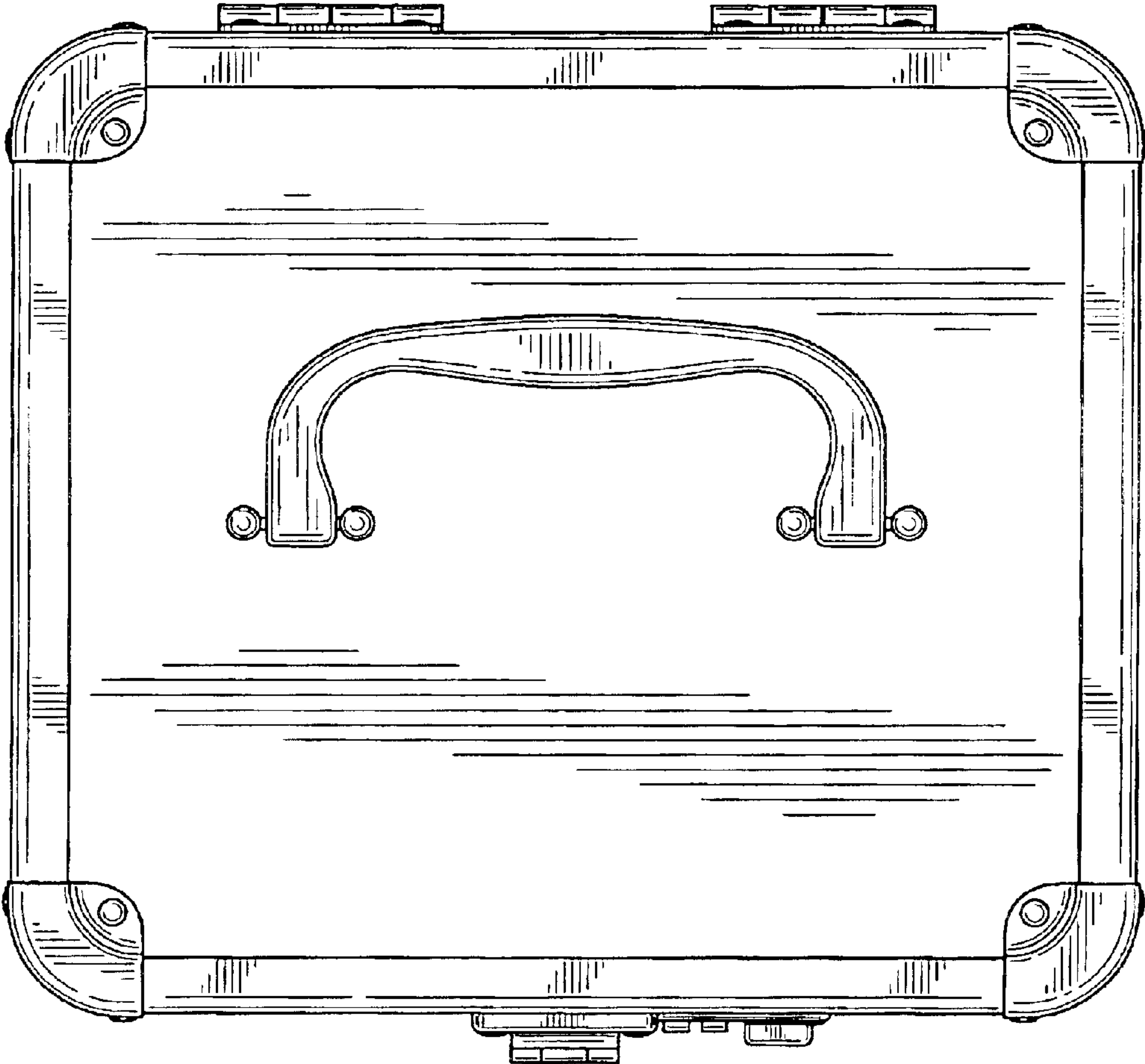


FIG. 6