



US00D500904S

(12) **United States Design Patent**
Probol

(10) **Patent No.:** **US D500,904 S**
(45) **Date of Patent:** **** Jan. 11, 2005**

(54) **CART**

(76) **Inventor:** **Frederick W Probol**, 544 Wa Wee
Nork Dr., Battle Creek, MI (US) 49015

(**) **Term:** **14 Years**

(21) **Appl. No.:** **29/198,472**

(22) **Filed:** **Jan. 30, 2004**

(51) **LOC (7) Cl.** **12-02**

(52) **U.S. Cl.** **D34/24**

(58) **Field of Search** D34/12-24; 280/33.991,
280/33.992, 33.993, 47.18, 47.26, 47.34

(56) **References Cited**

U.S. PATENT DOCUMENTS

D400,333 S * 10/1998 Westlake D34/17

OTHER PUBLICATIONS

D2069430 (Silverstein) Dec. 31, 1997 [online] [retrieved on
Aug. 9, 2004]. Retrieved from Great Britain patent data-
base.*

D2050461 (Lloyd-Free) Sep. 23, 1996 [online] [Retrieved
on Aug. 9, 2004] Retrieved from Great Britain patent
database.*

* cited by examiner

Primary Examiner—Holly Baynham

(57) **CLAIM**

The ornamental design for a cart, as shown and described.

DESCRIPTION

FIG. 1 is a perspective view of a cart according to a first
embodiment of the design.

FIG. 2 is a front elevational view of the cart according to the
first embodiment of the design.

FIG. 3 is a rear elevational view of the cart according to the
first embodiment of the design.

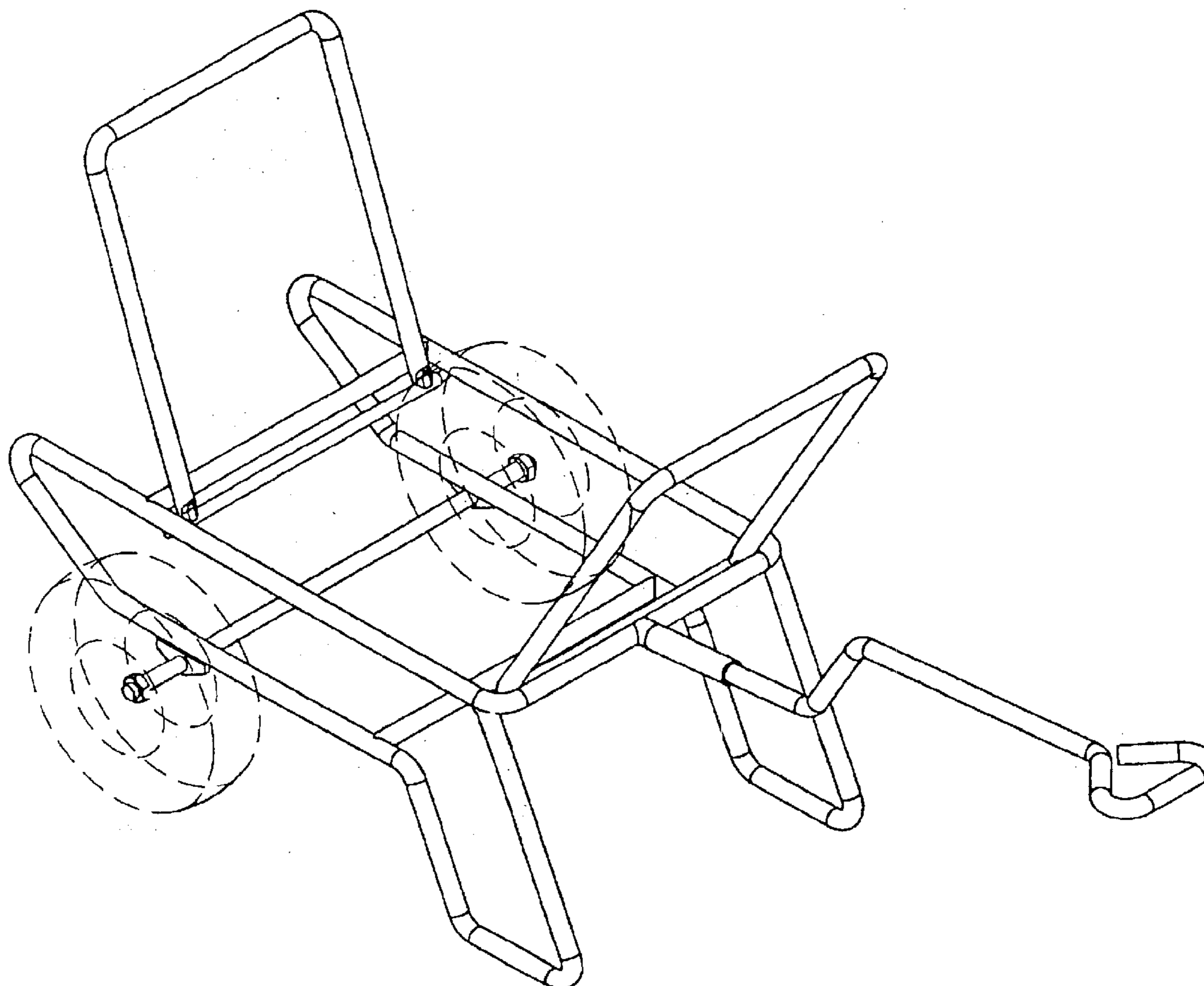
FIG. 4 is a left elevational view of the cart according to the
first embodiment of the design. The right elevational view is
a mirror image of the left elevational view.

FIG. 5 is a top plan view of the cart according to the first
embodiment of the design; and,

FIG. 6 is a perspective view of a cart according to a second
embodiment of the design.

The wheels shown in broken lines are for illustrative pur-
pose only and forms no part of the claimed design.

1 Claim, 6 Drawing Sheets



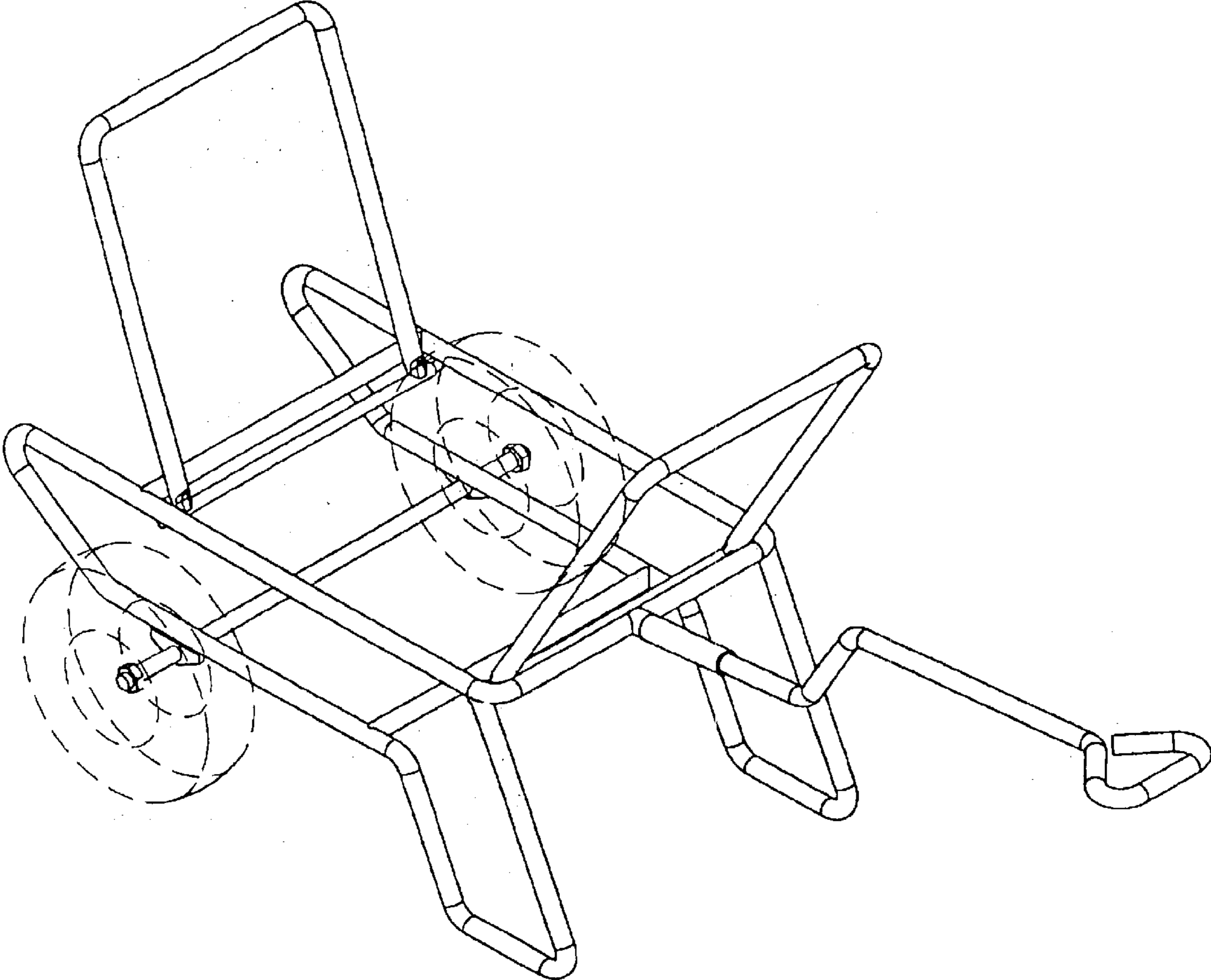


FIG. 1

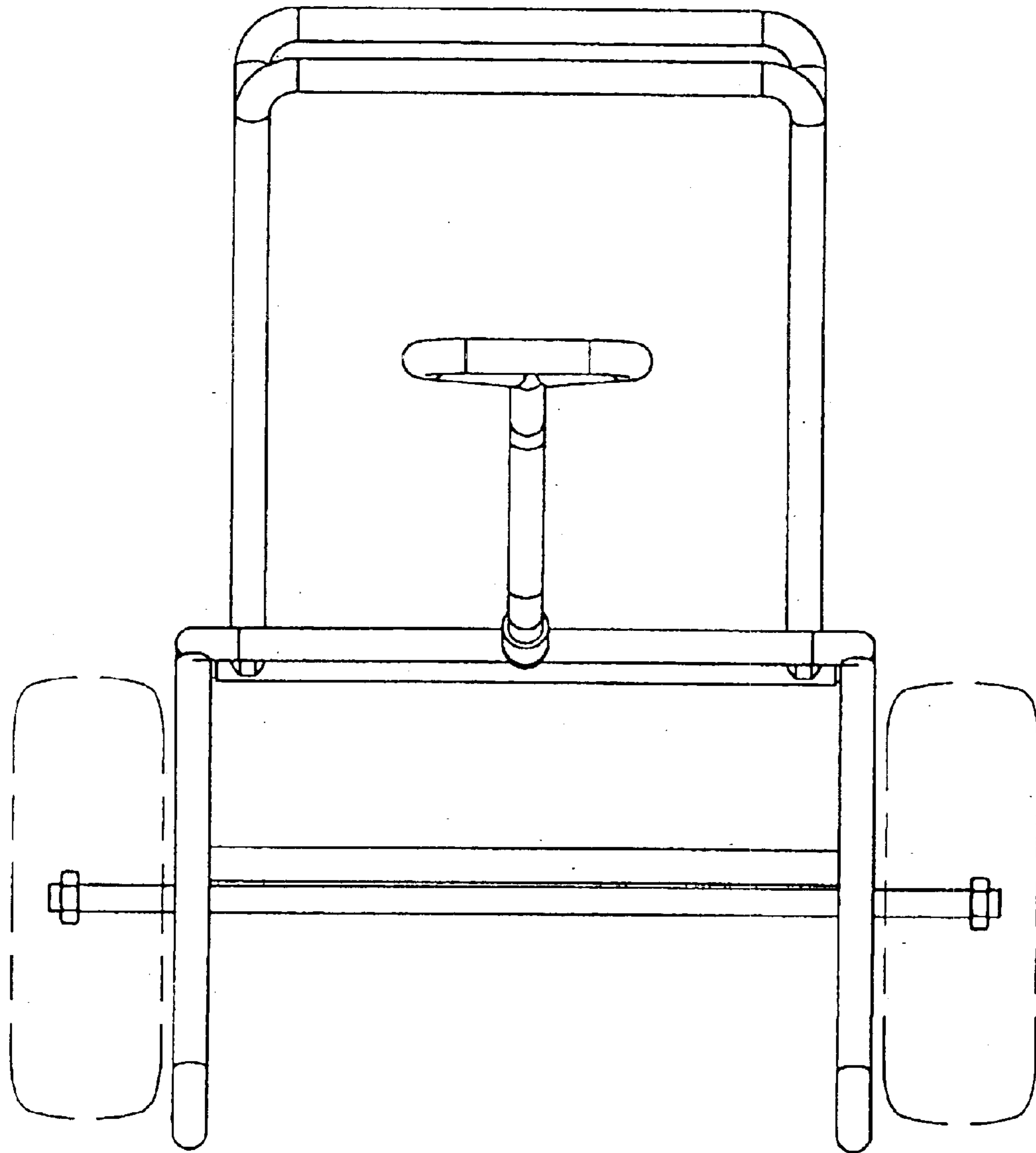


FIG. 2

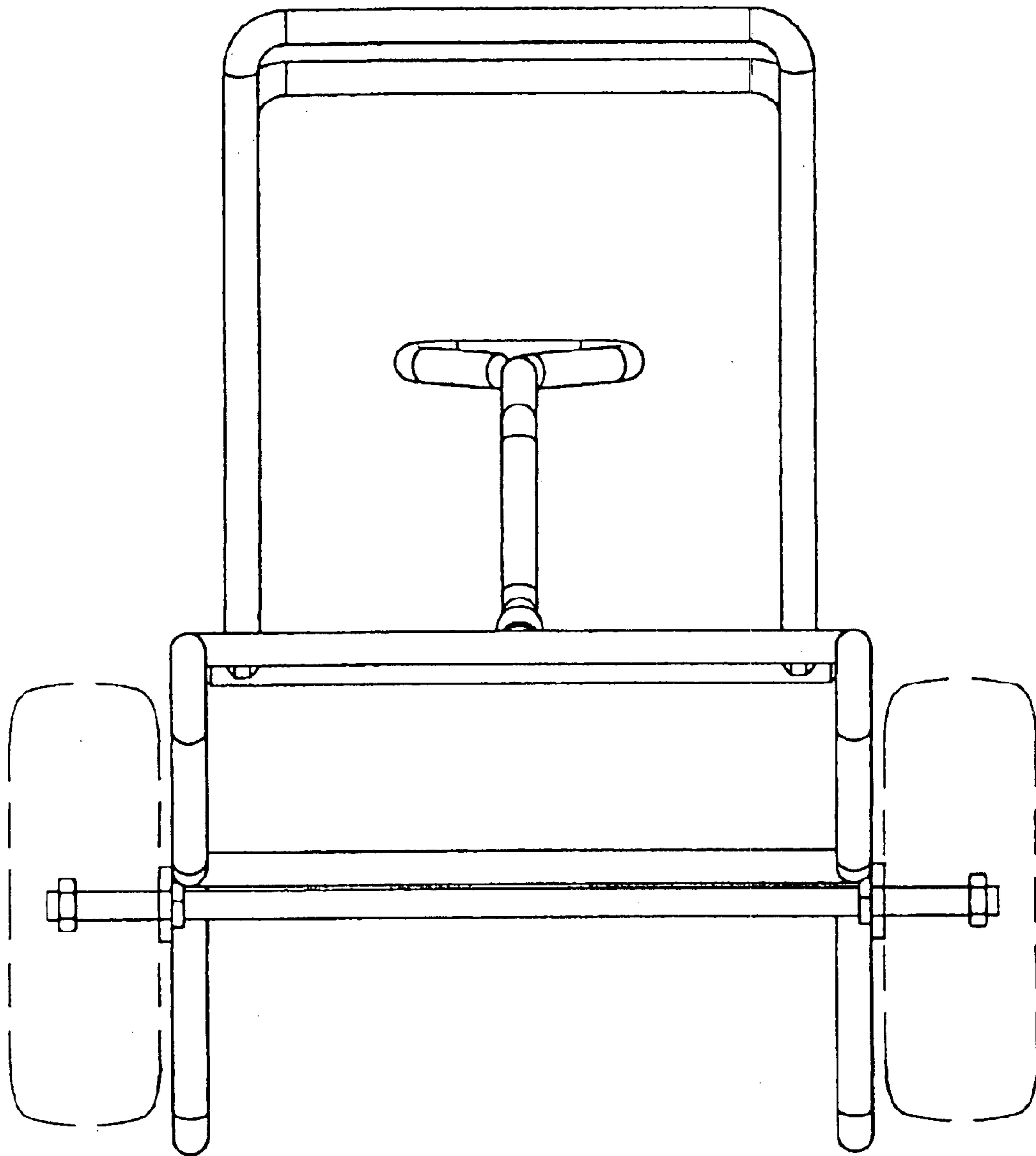


FIG. 3

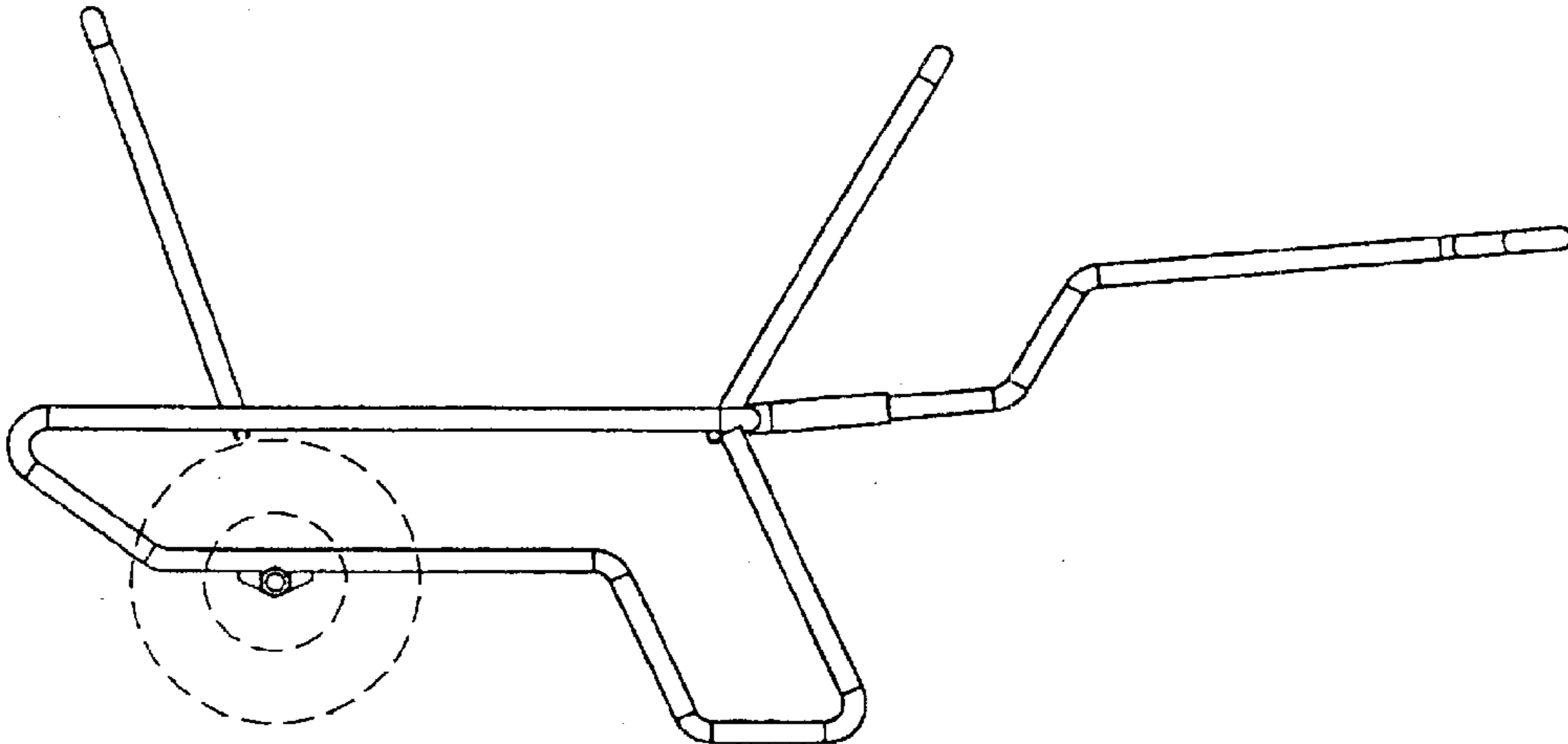


FIG. 4

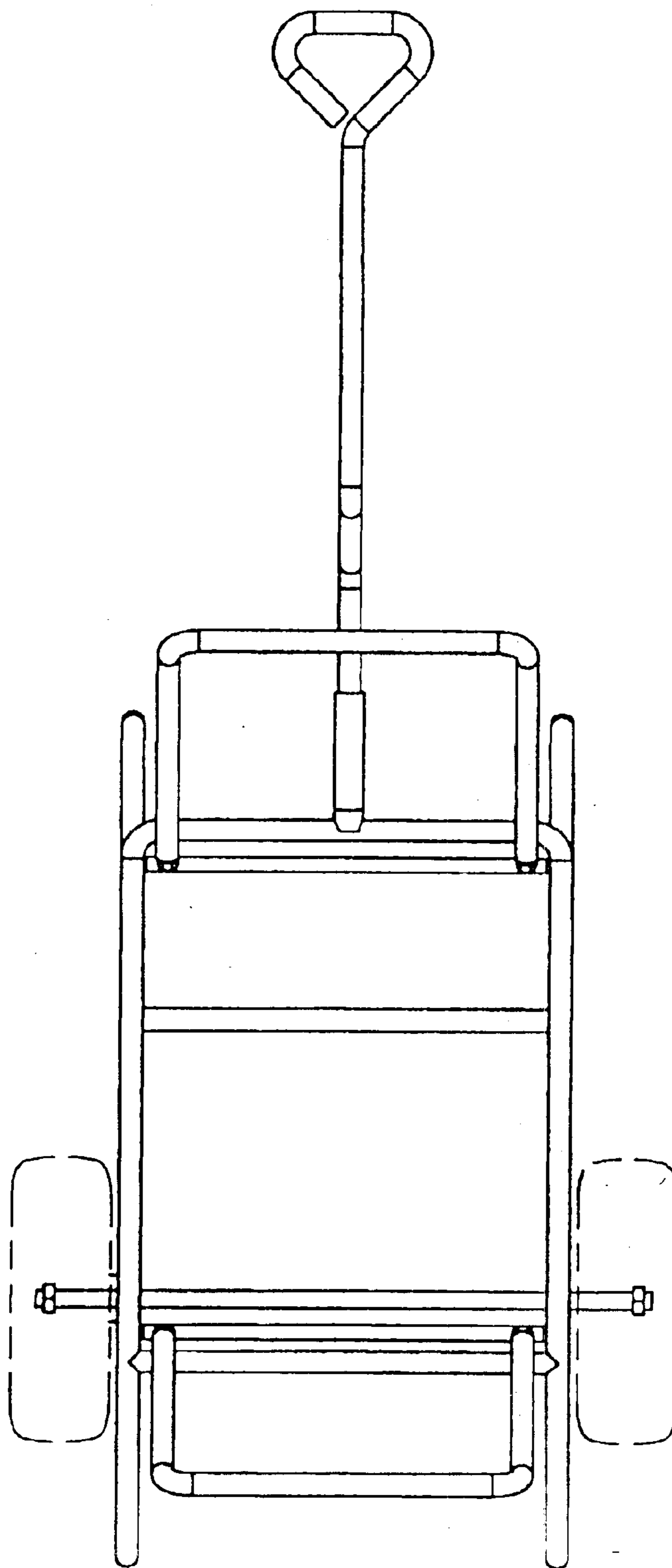


FIG. 5

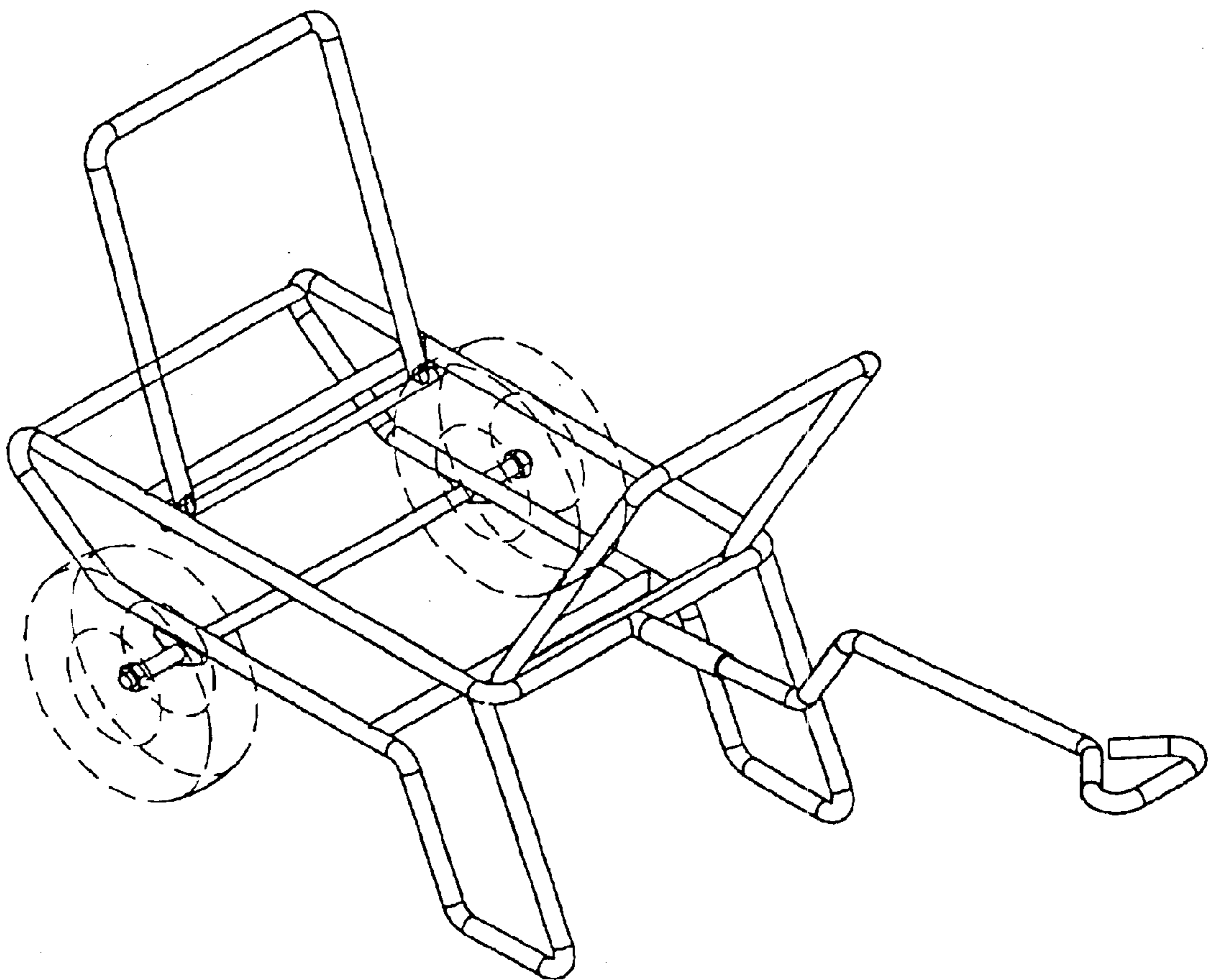


FIG. 6