

US00D500903S

(12) **United States Design Patent**
Stokes et al.

(10) **Patent No.:** **US D500,903 S**

(45) **Date of Patent:** **** Jan. 11, 2005**

(54) **CART FOR FISHING ACCESSORIES**

(76) Inventors: **Jerome Berry Stokes**, 9317 Appleton, Redford, MI (US) 48239-1239; **Bettye Jean Stokes**, 9317 Appleton, Redford, MI (US) 48239-1239

(**) **Term:** **14 Years**

(21) **Appl. No.:** **29/188,724**

(22) **Filed:** **Aug. 22, 2003**

(51) **LOC (7) Cl.** **12-02**

(52) **U.S. Cl.** **D34/24**

(58) **Field of Search** D34/12-27; 280/654, 280/655, 47.29, 47.26, 47.19, 652, 47.23

(56) **References Cited**

U.S. PATENT DOCUMENTS

2,589,044 A * 3/1952 Brodeck 280/654
D182,180 S * 2/1958 Grebow D34/24

D183,960 S * 11/1958 Carroll D34/24
D357,783 S * 4/1995 Jones D34/26
6,082,757 A * 7/2000 Lin 280/654

* cited by examiner

Primary Examiner—Holly Baynham

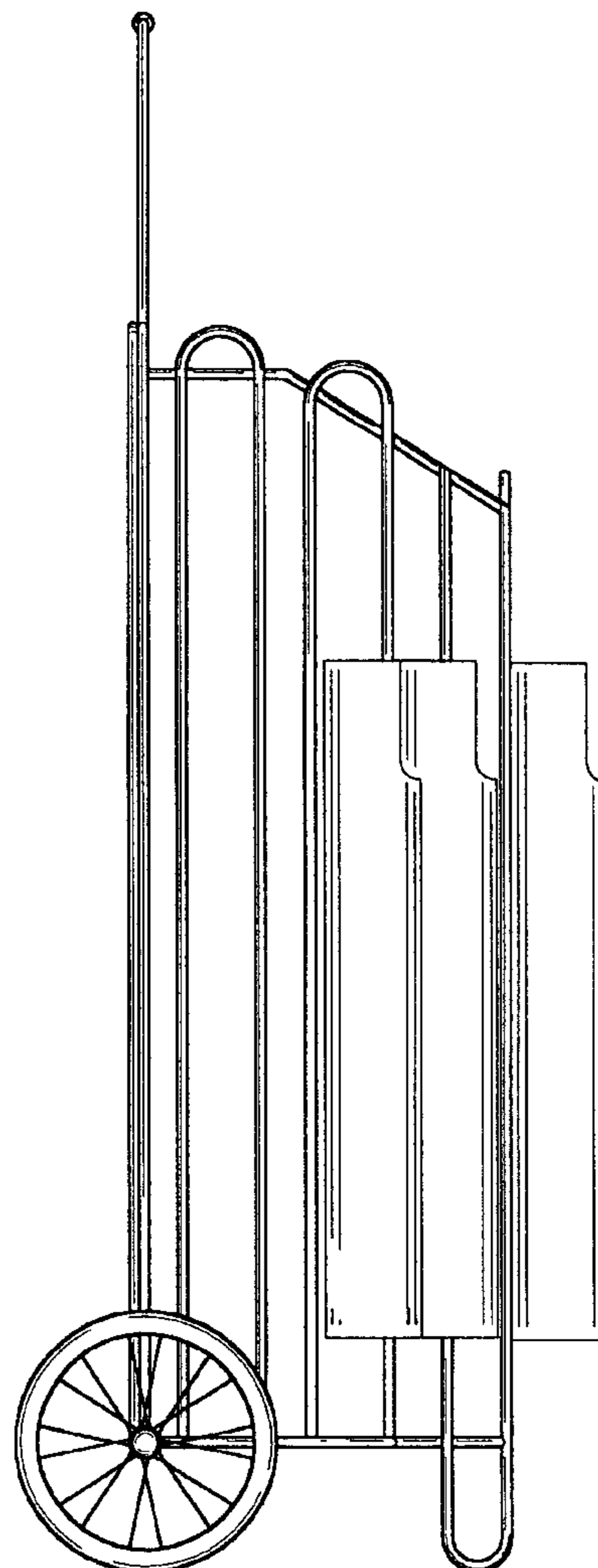
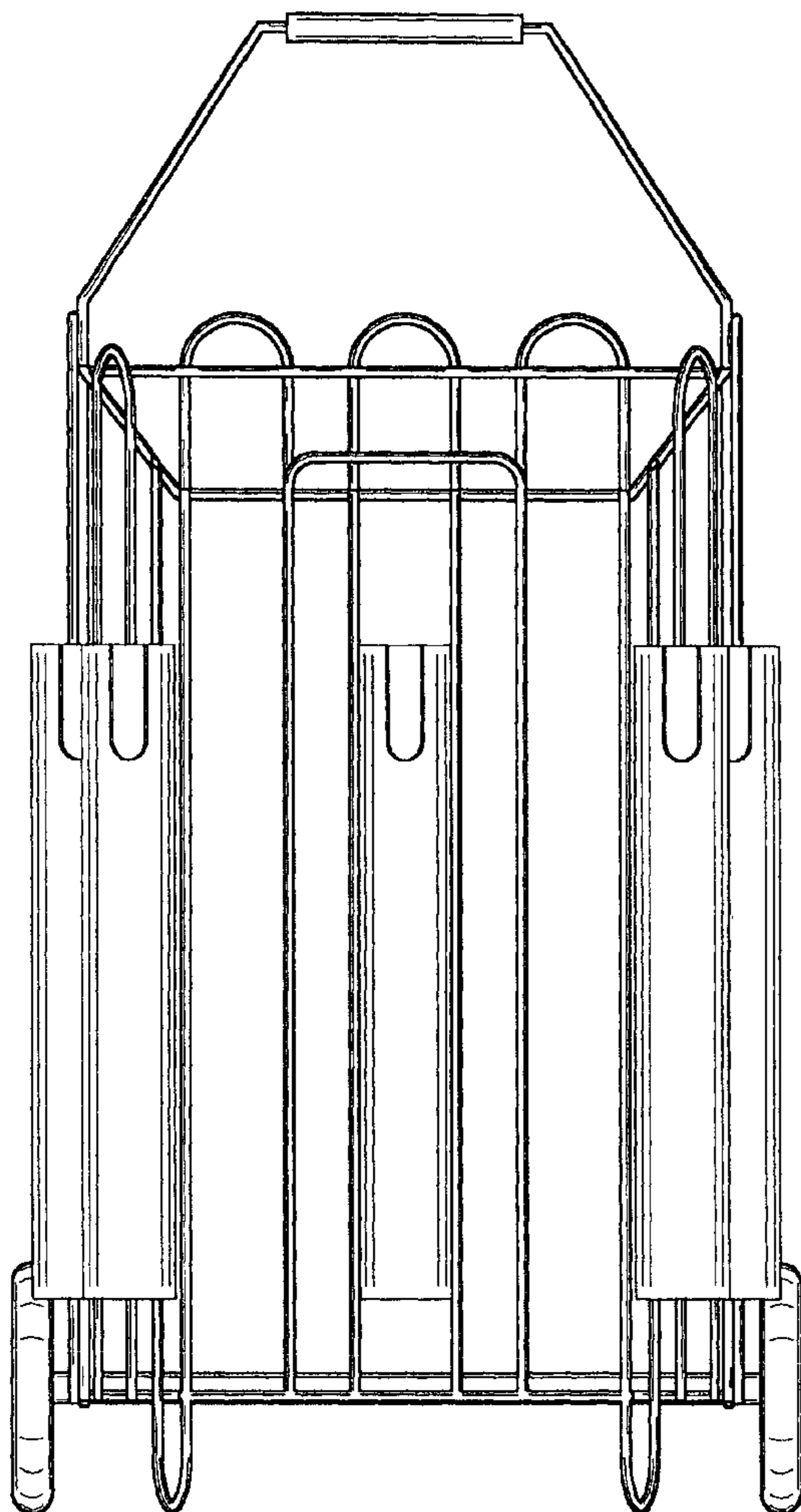
(57) **CLAIM**

The ornamental design for a cart for fishing accessories, as shown and described.

DESCRIPTION

FIG. 1 is a front elevational view of a cart for fishing accessories showing my new design; FIG. 2 is a rear elevational view thereof; FIG. 3 is a side view, taken from the left side of FIG. 1, the right side view being a mirror image thereof; FIG. 4 is a top plan view thereof; and, FIG. 5 is a bottom plan view thereof.

1 Claim, 4 Drawing Sheets



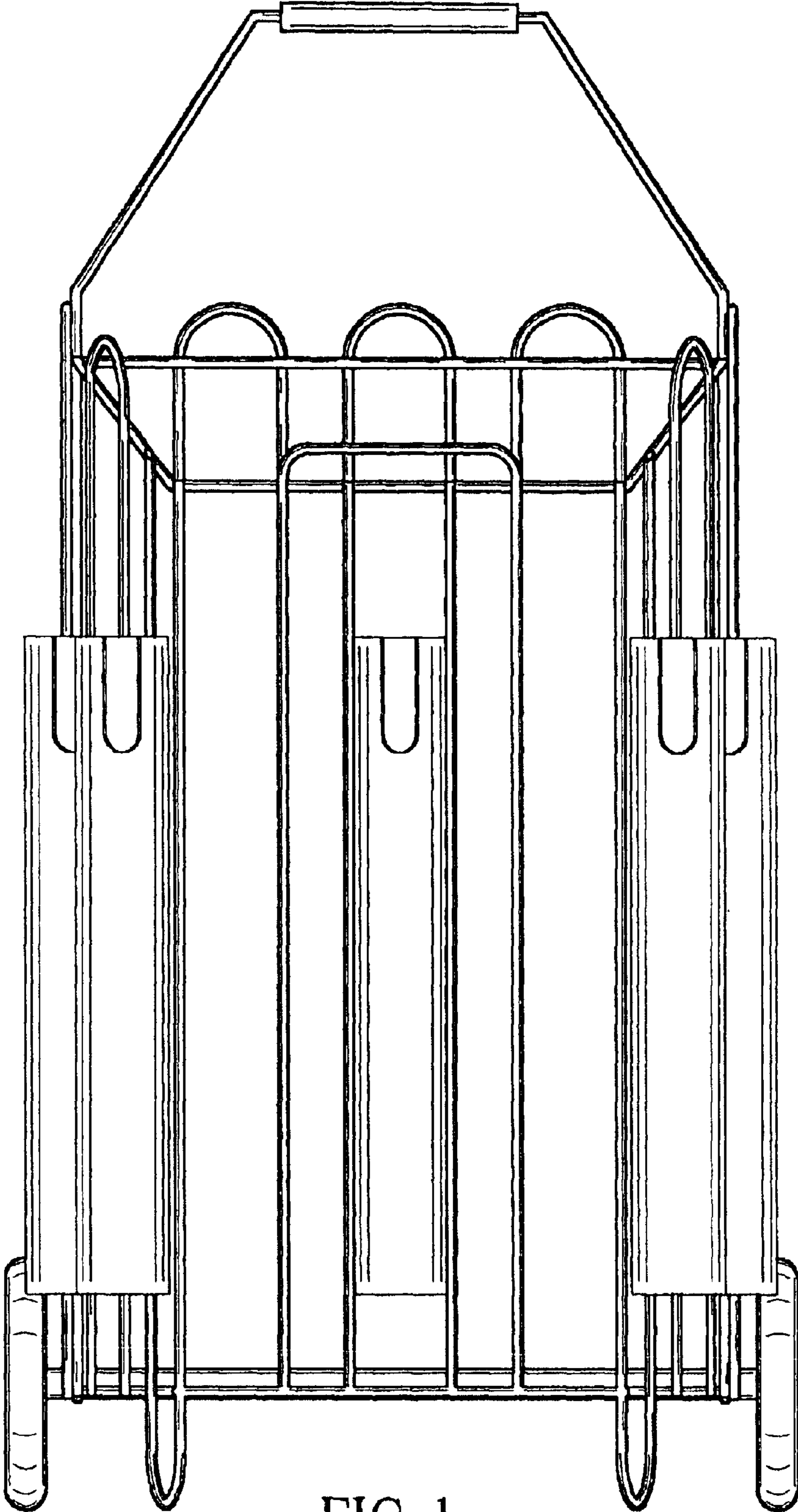


FIG. 1

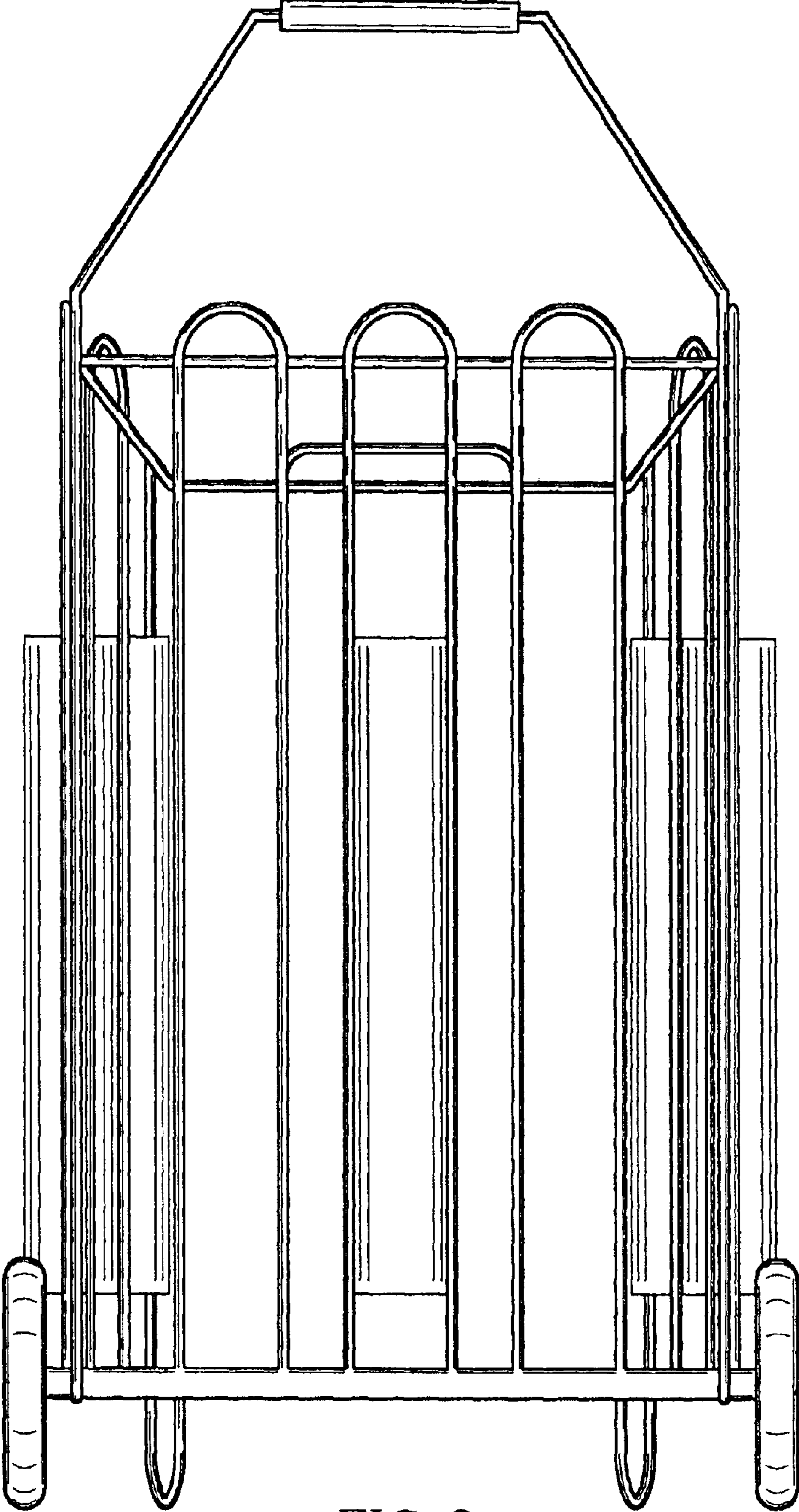


FIG. 2

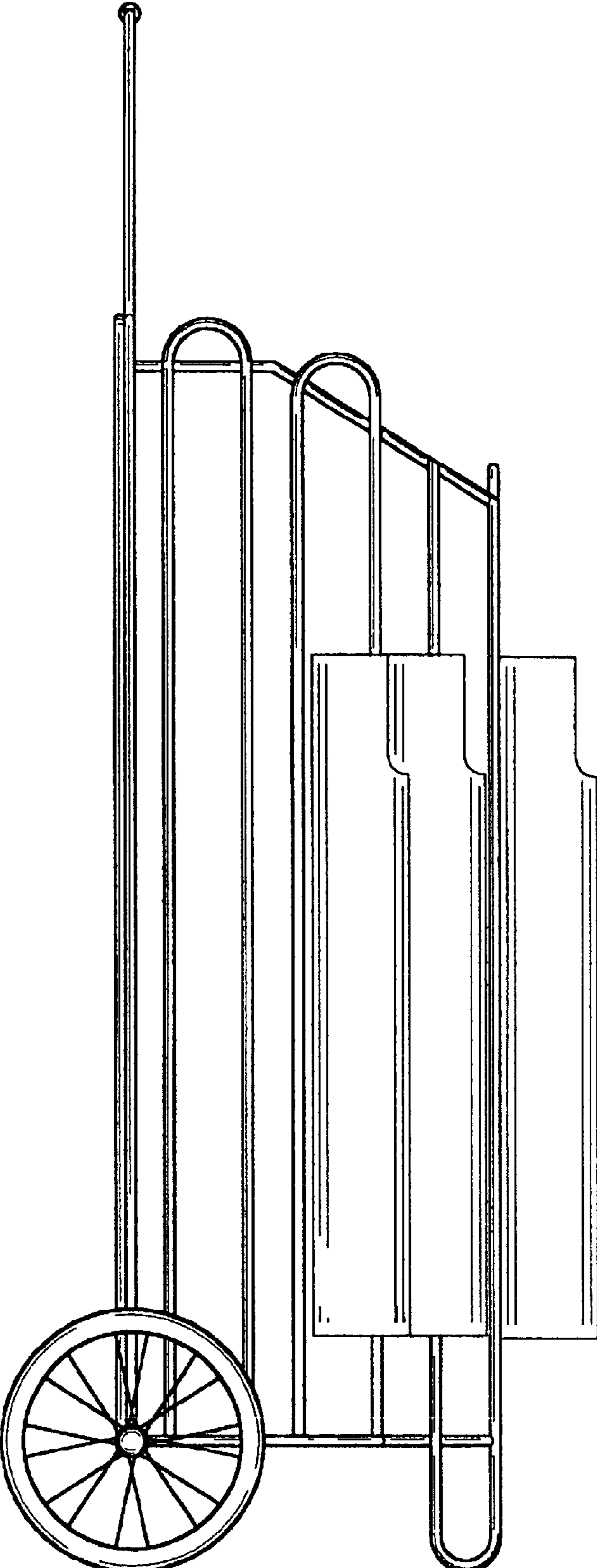


FIG. 3

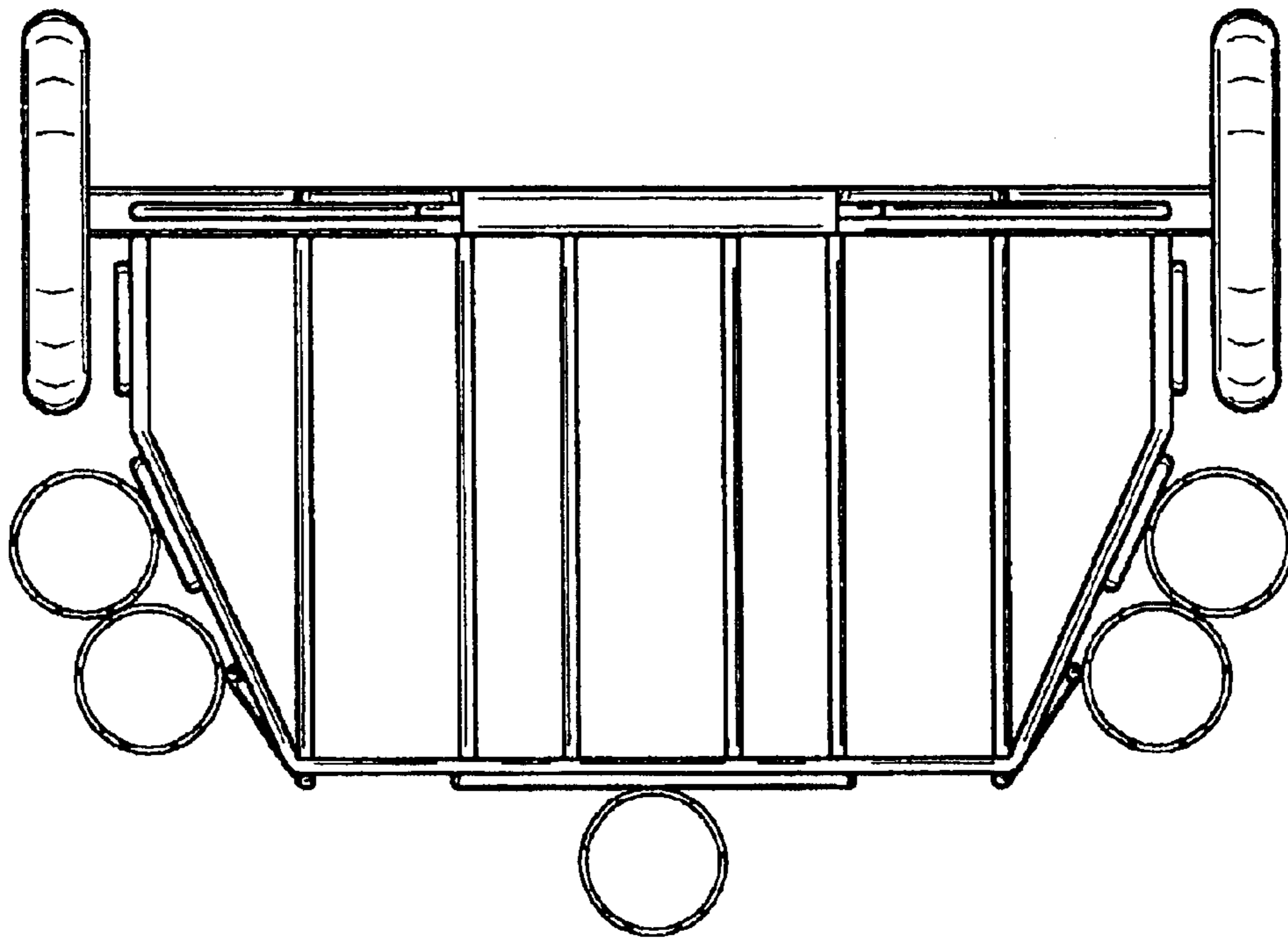


FIG. 4

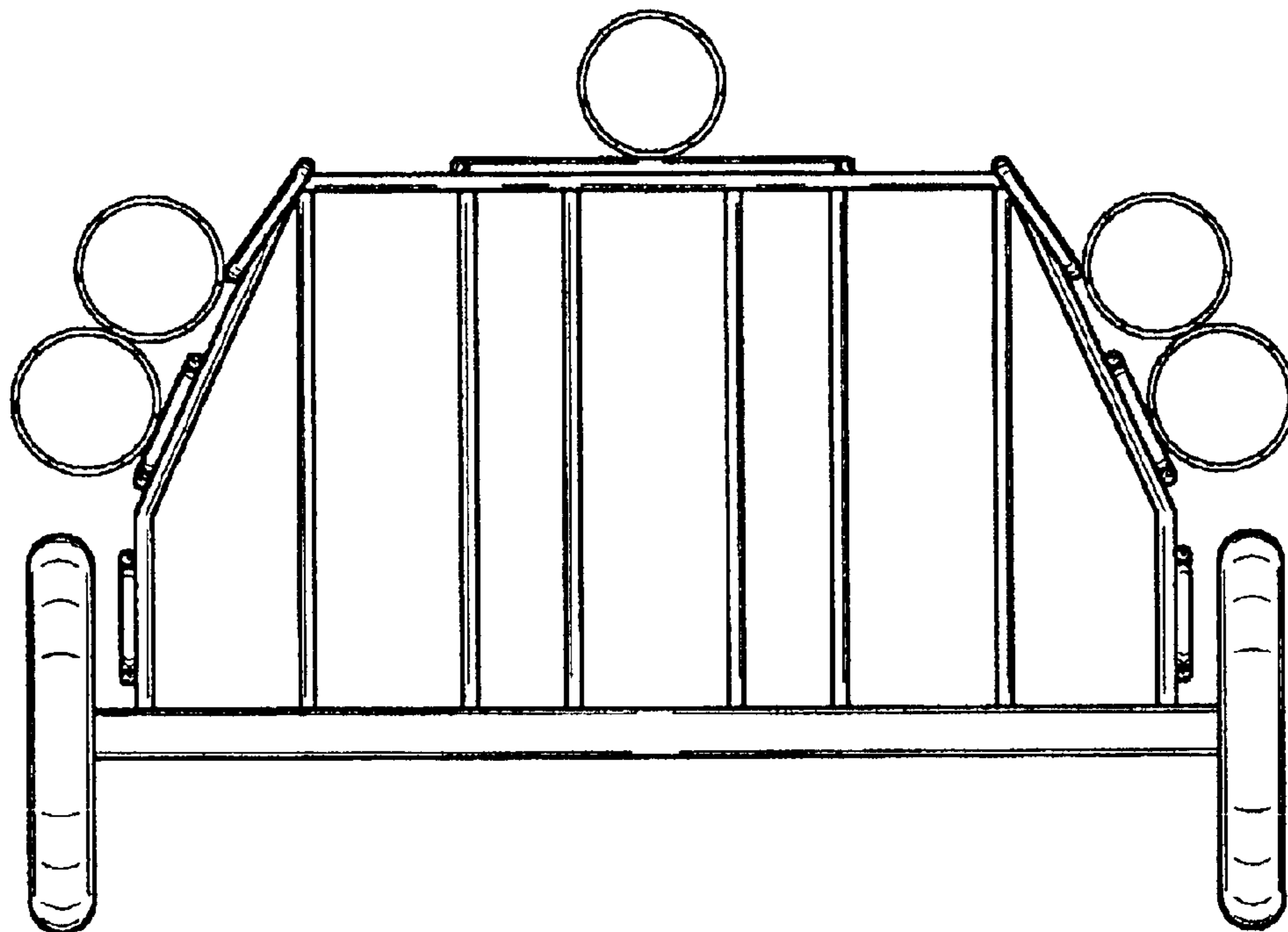


FIG. 5