



US00D500889S

(12) **United States Design Patent**
Greene

(10) **Patent No.:** **US D500,889 S**
(45) **Date of Patent:** **** Jan. 11, 2005**

(54) **SHAVING APPARATUS**

(75) **Inventor:** **Todd M. Greene**, Los Angeles, CA (US)

(73) **Assignee:** **The HeadBlade Company, LLC**, Venice, CA (US)

(**) **Term:** **14 Years**

(21) **Appl. No.:** **29/205,161**

(22) **Filed:** **May 10, 2004**

(51) **LOC (7) Cl.** **28-03**

(52) **U.S. Cl.** **D28/46**

(58) **Field of Search** D28/44, 44.1, D28/45-48; 30/32, 34.05, 34.1, 41, 47, 48, 50, 51, 57, 526-528

(56) **References Cited**

U.S. PATENT DOCUMENTS

6,018,877	A	*	2/2000	Greene	30/526
D426,918	S	*	6/2000	Greene	D28/48
6,112,421	A	*	9/2000	Greene	30/526
D446,351	S	*	8/2001	Greene	D28/46
2003/0084573	A1	*	5/2003	Kludjian et al.	30/50

* cited by examiner

Primary Examiner—Jennifer Rivard
(74) *Attorney, Agent, or Firm*—Mitchell Silberberg & Knupp LLP

(57) **CLAIM**

The ornamental design for a shaving apparatus, as shown and described.

DESCRIPTION

FIG. 1 is a top perspective view of a shaving apparatus according to the present invention.

FIG. 2 is a top left-side perspective view of the shaving apparatus.

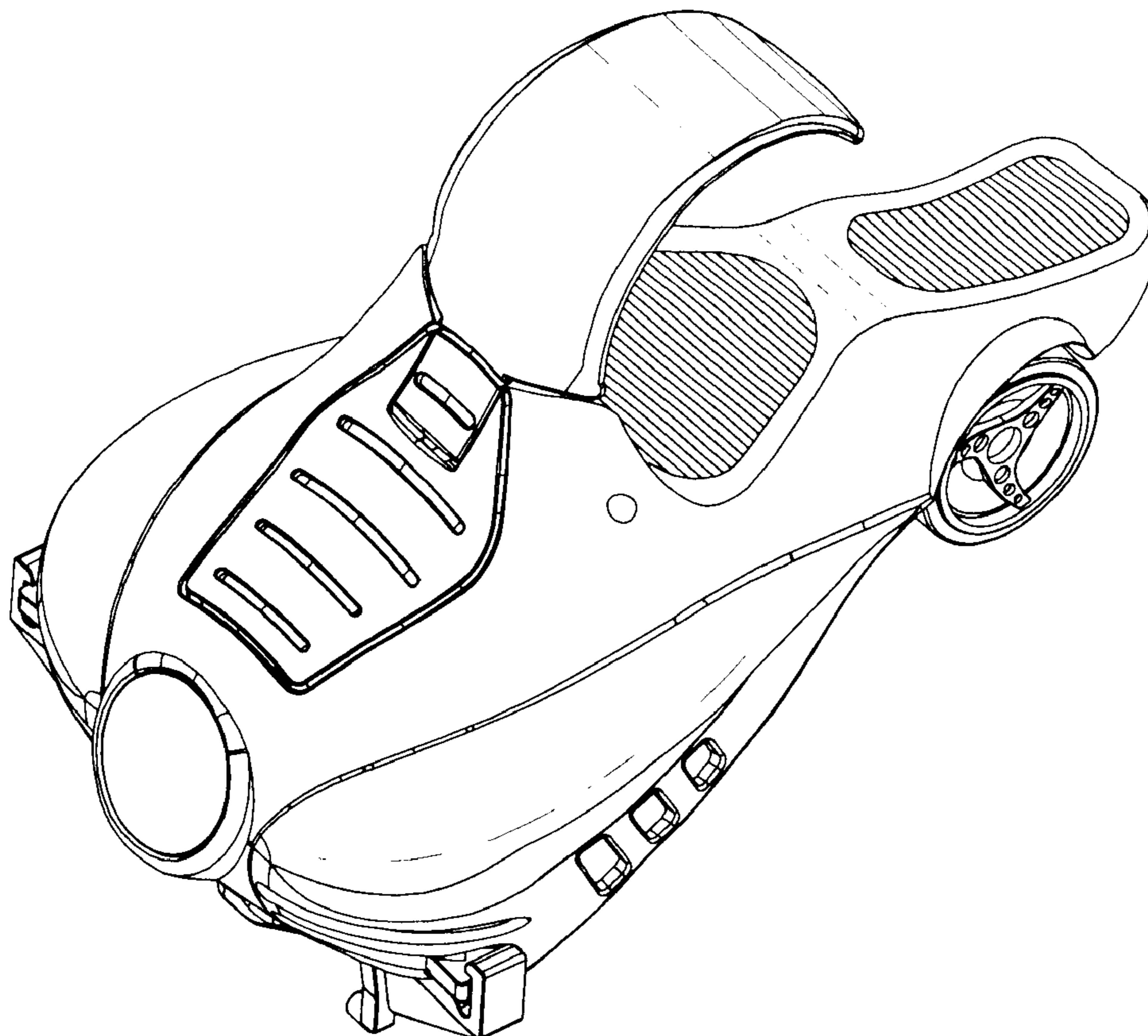
FIG. 3 is a bottom perspective view of the shaving apparatus.

FIG. 4 is a left side elevational view of the shaving apparatus, with the right side elevational view being the mirror image; and,

FIG. 5 is a bottom plan view of the shaving apparatus.

The broken lines are shown for illustrative purposes only and form no part of the claimed design.

1 Claim, 2 Drawing Sheets



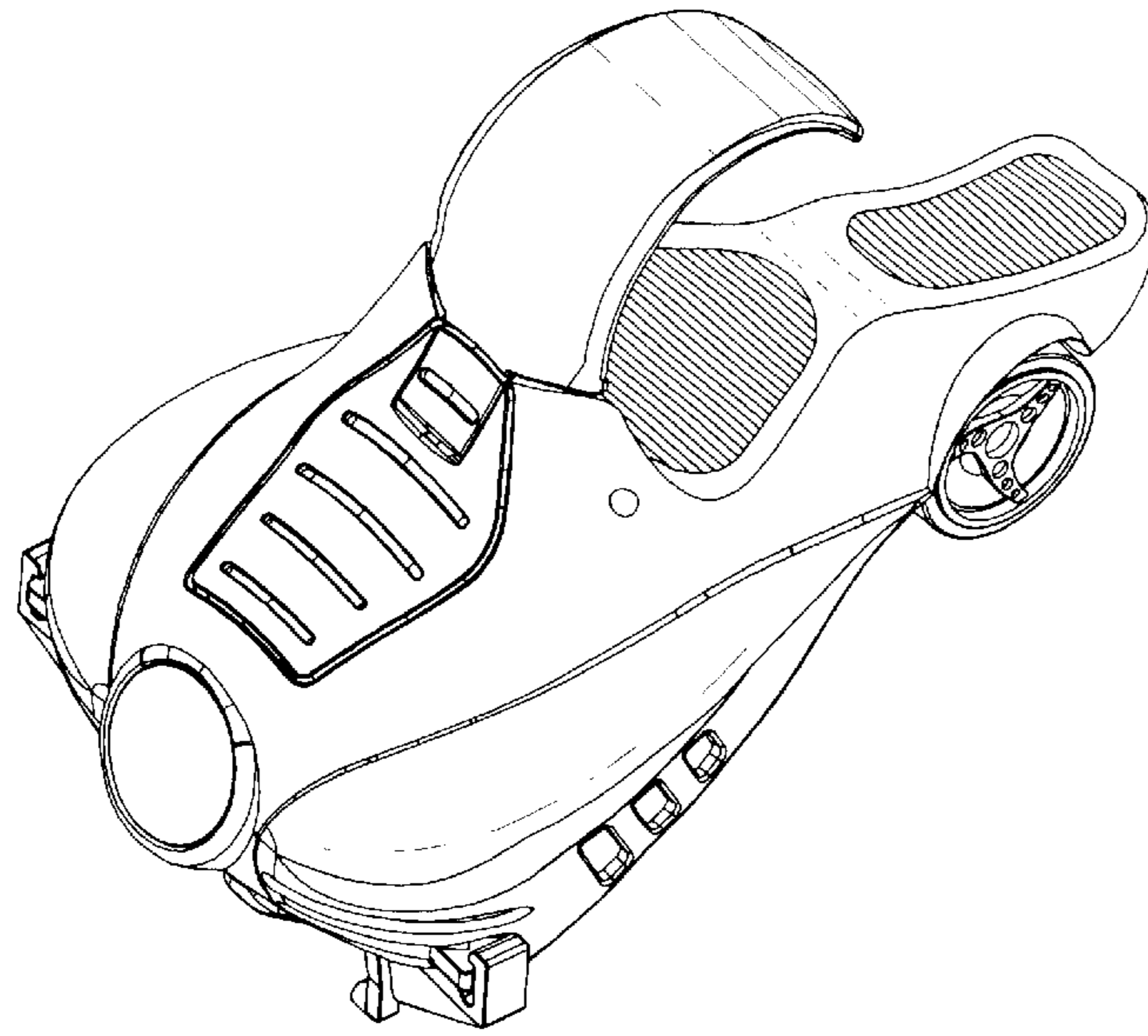


FIG. 1

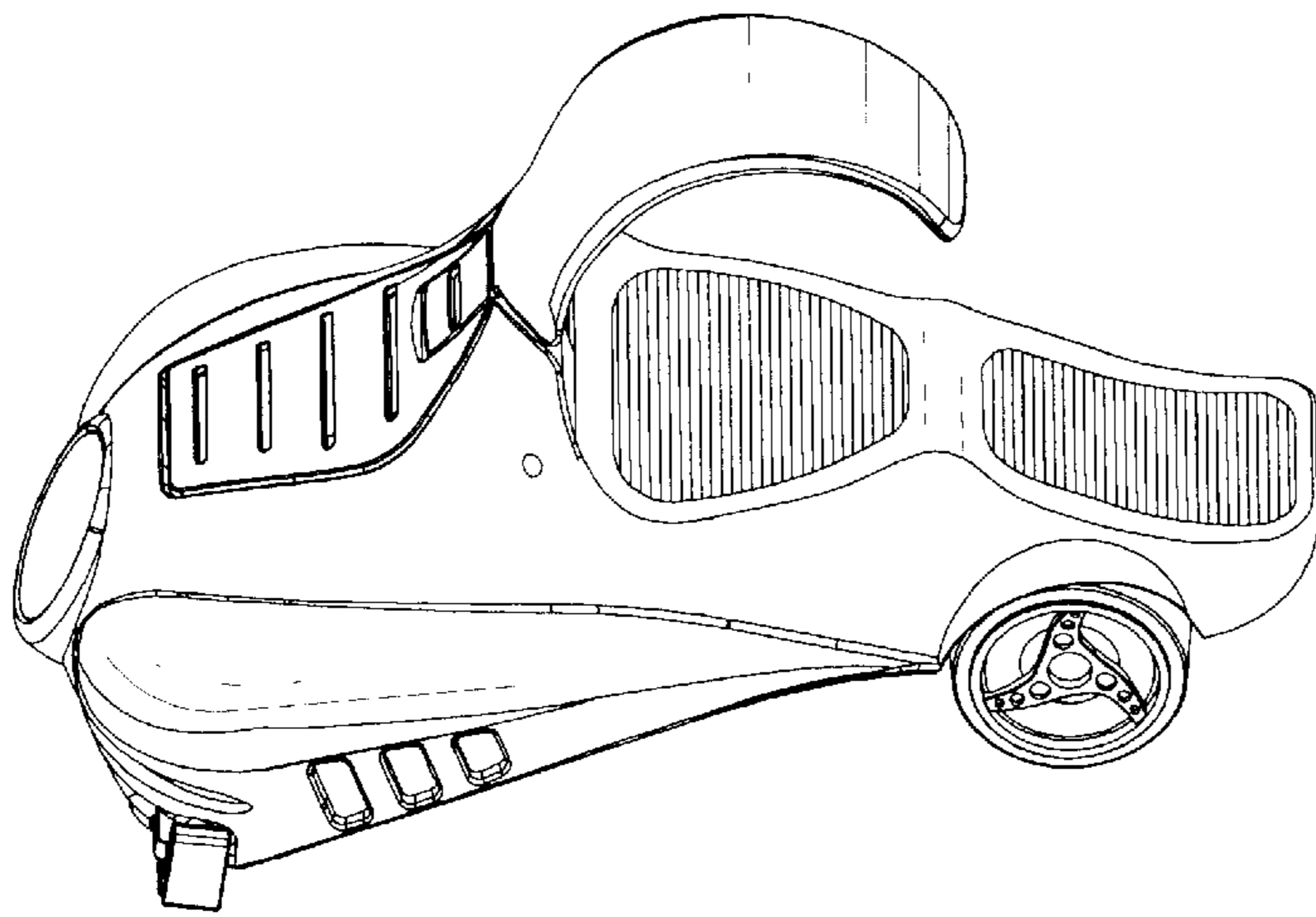


FIG. 2

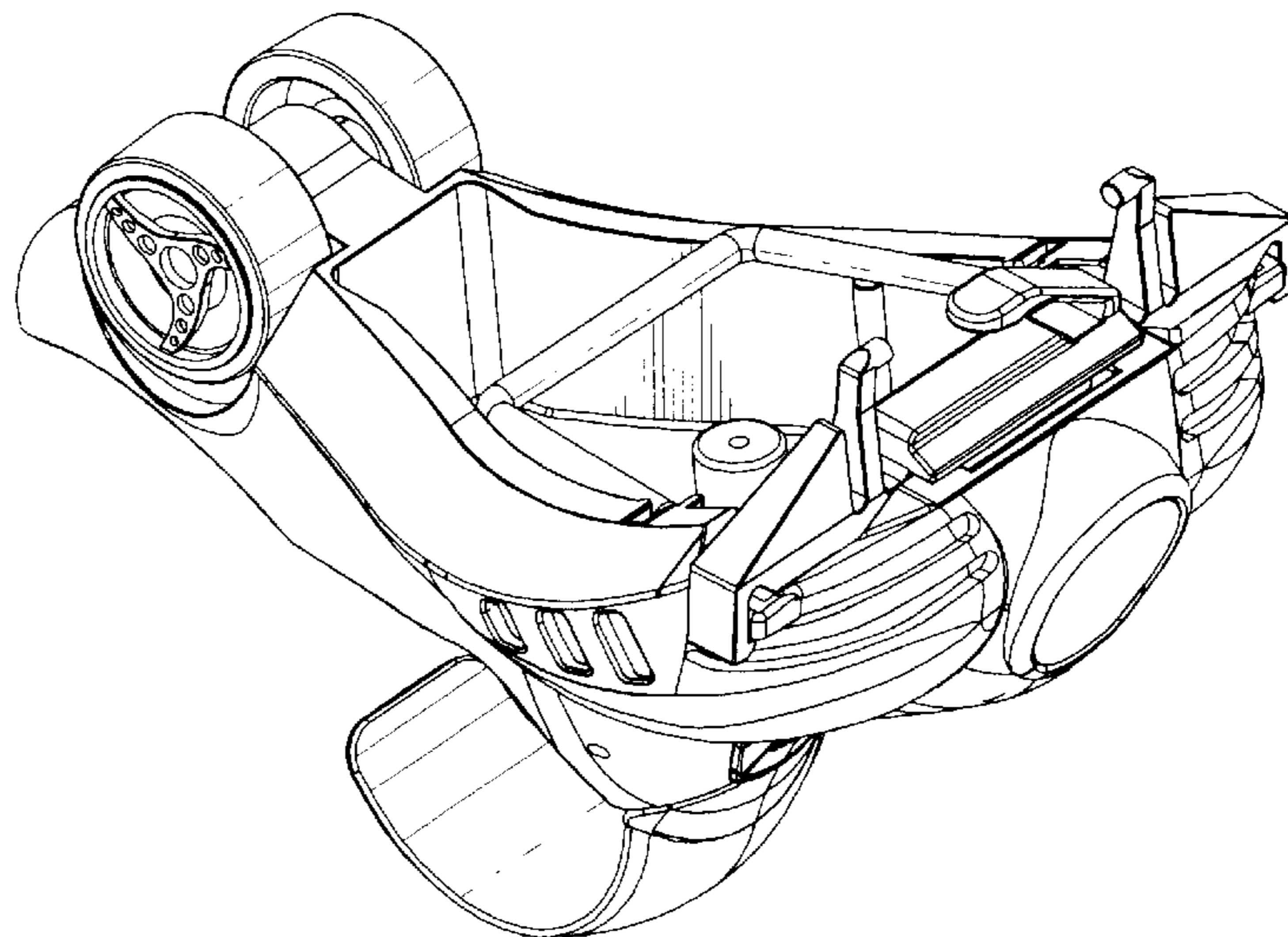


FIG. 3

FIG. 4

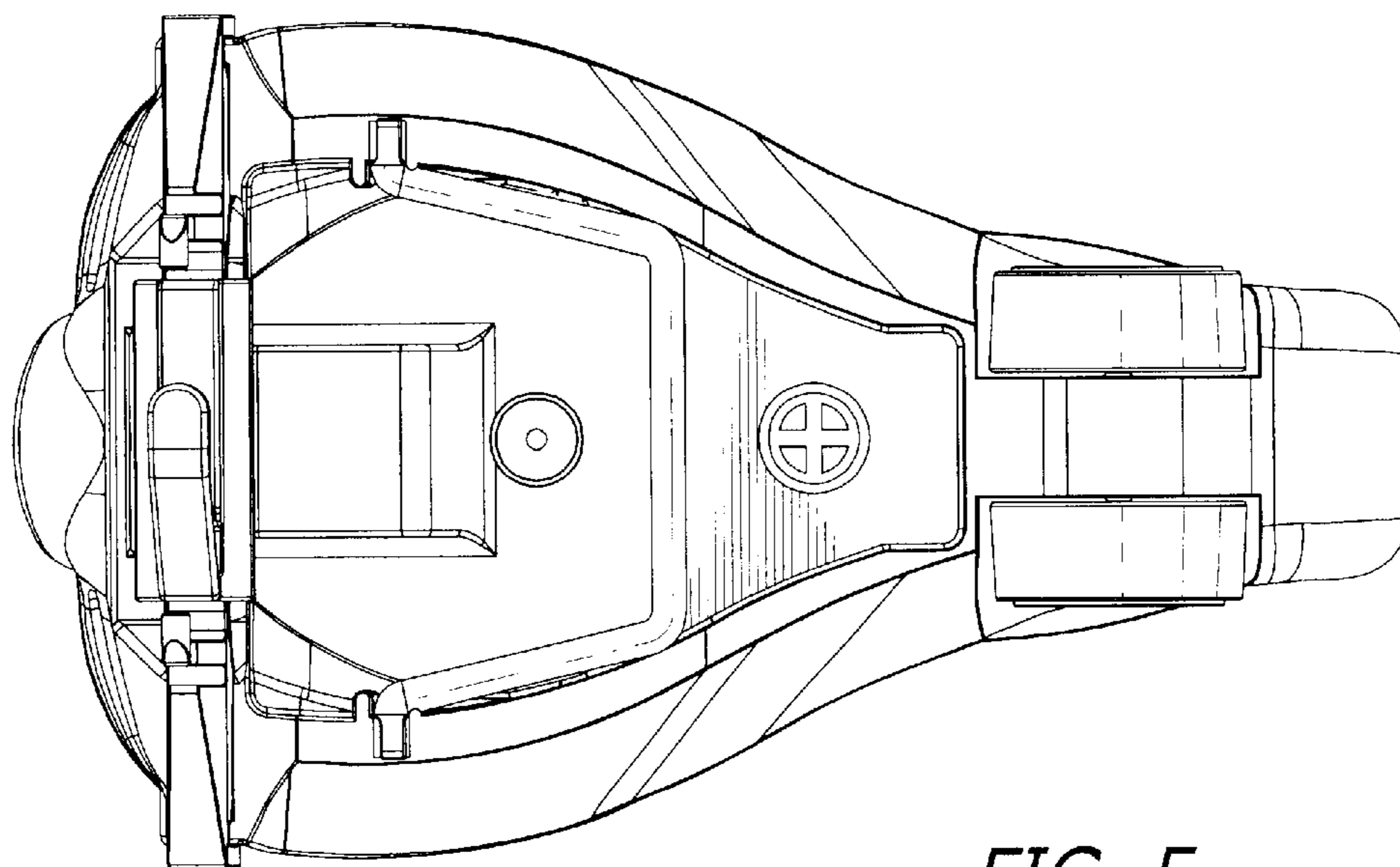
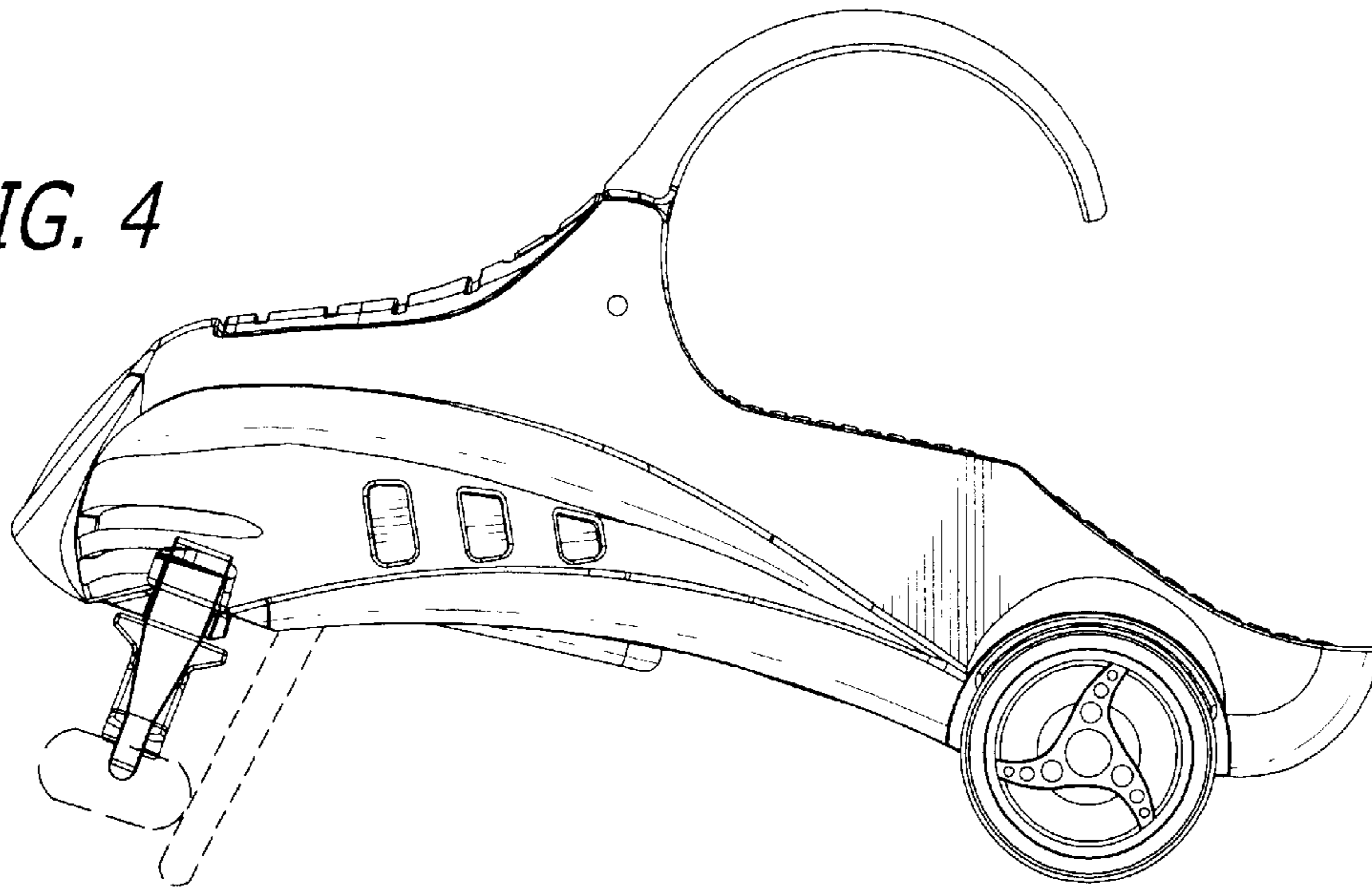


FIG. 5