

US00D500888S

(12) **United States Design Patent**
Gray

(10) **Patent No.:** **US D500,888 S**
(45) **Date of Patent:** **** Jan. 11, 2005**

- (54) **RAZOR**
- (75) **Inventor:** **Michael J. Gray, Duxbury, MA (US)**
- (73) **Assignee:** **The Gillette Company, Boston, MA (US)**
- (**) **Term:** **14 Years**
- (21) **Appl. No.:** **29/175,185**
- (22) **Filed:** **Jan. 31, 2003**
- (51) **LOC (7) Cl.** **28-03**
- (52) **U.S. Cl.** **D28/45**
- (58) **Field of Search** **D28/44-48; 30/34.1, 30/526, 32, 34.05, 34.2, 48, 50, 51, 57, 527, 528, 538, 346.57**

- D422,380 S 4/2000 Tseng
- D422,751 S 4/2000 Gray
- 6,044,542 A * 4/2000 Apprille et al. 30/50
- D428,532 S 7/2000 Prochaska
- D436,691 S 1/2001 Kwiecien
- 6,301,785 B1 * 10/2001 Kwiecien et al. 30/50
- D456,563 S 4/2002 Kwiecien
- D467,388 S * 12/2002 Prochaska et al. D28/48
- D478,687 S * 8/2003 Provost D28/48
- 2001/0023539 A1 * 9/2001 Kwiecien et al. 30/50
- 2003/0154603 A1 * 8/2003 Guimont et al. 30/34.05

* cited by examiner

Primary Examiner—Jennifer Rivard
(74) *Attorney, Agent, or Firm*—Donal B. Tobin

(57) **CLAIM**

I claim the ornamental design for the razor, as shown and described.

DESCRIPTION

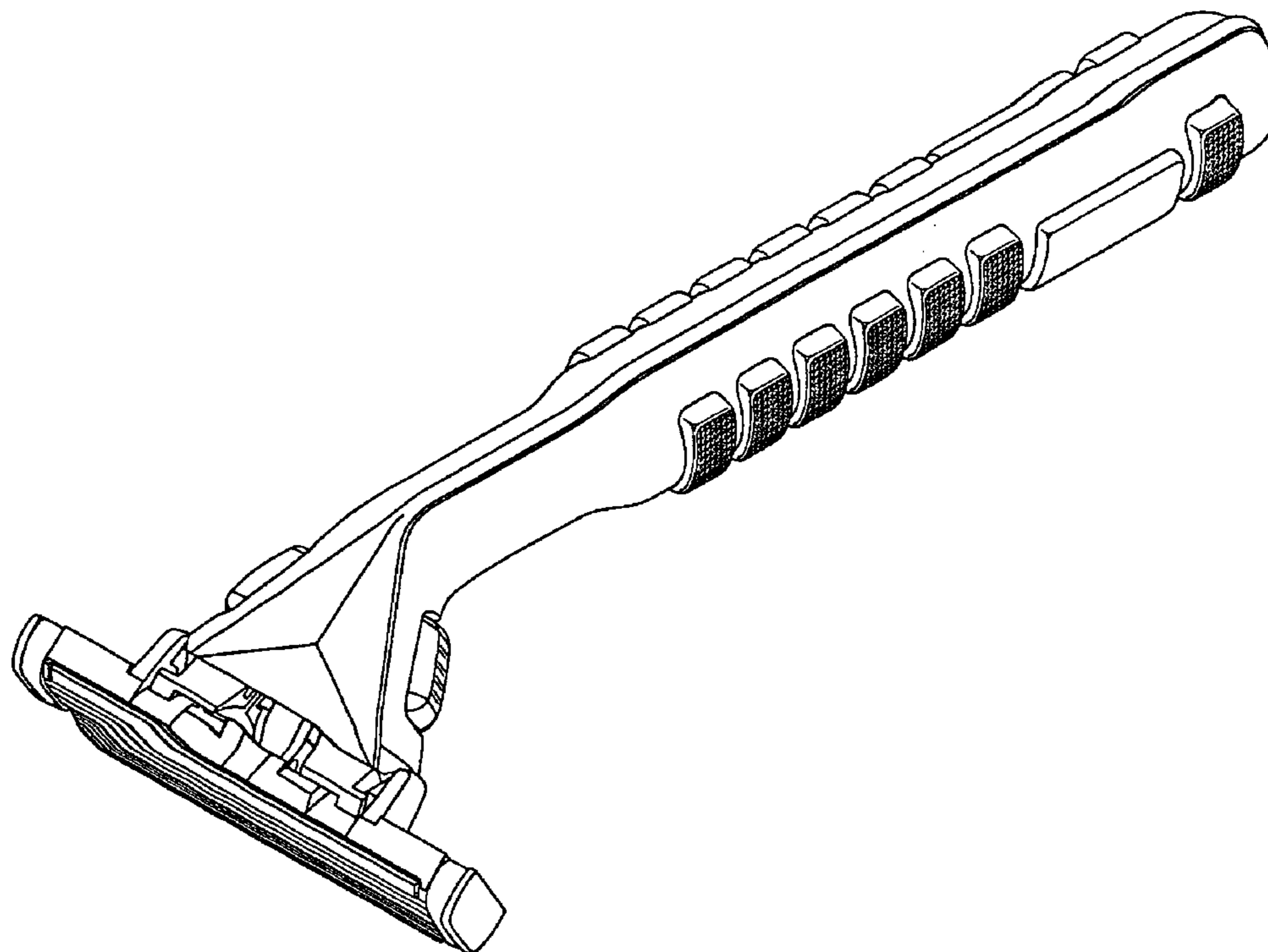
FIG. 1 is a top perspective taken from the left side of the razor of the present invention.
 FIG. 2 is a top plan view of the razor of FIG. 1.
 FIG. 3 is a left side view of the razor of the present invention, the right side view being the mirror image thereof.
 FIG. 4 is a bottom plan view of the razor of the present invention attached.
 FIG. 5 is a front elevational view of the razor of FIG. 1; and,
 FIG. 6 is a back elevational view of the razor of FIG. 1.

1 Claim, 5 Drawing Sheets

(56) **References Cited**

U.S. PATENT DOCUMENTS

- D290,050 S 5/1987 Jacobson
- D298,068 S 10/1988 Gilder
- D322,689 S 12/1991 Jacobson et al.
- D322,690 S 12/1991 Jacobson et al.
- D325,689 S 4/1992 Gray
- D335,722 S 5/1993 Gray
- D377,237 S 1/1997 Brown et al.
- 5,661,907 A 9/1997 Apprille, Jr.
- D393,929 S 4/1998 Prochaska
- D397,830 S * 9/1998 Gray D28/48
- D401,014 S 11/1998 Tseng
- D407,530 S 3/1999 Lee
- D419,265 S * 1/2000 Gray D28/48



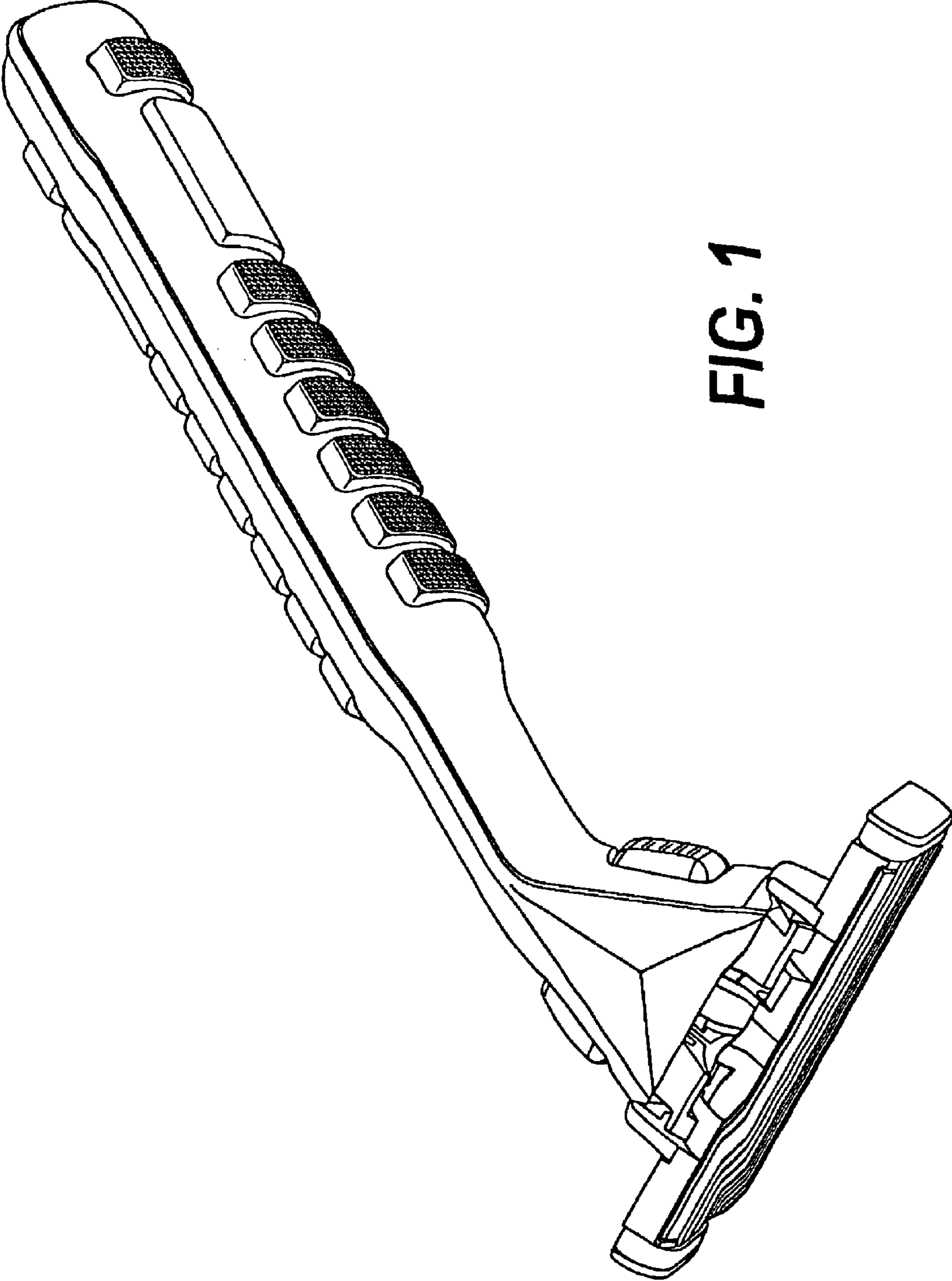


FIG. 1

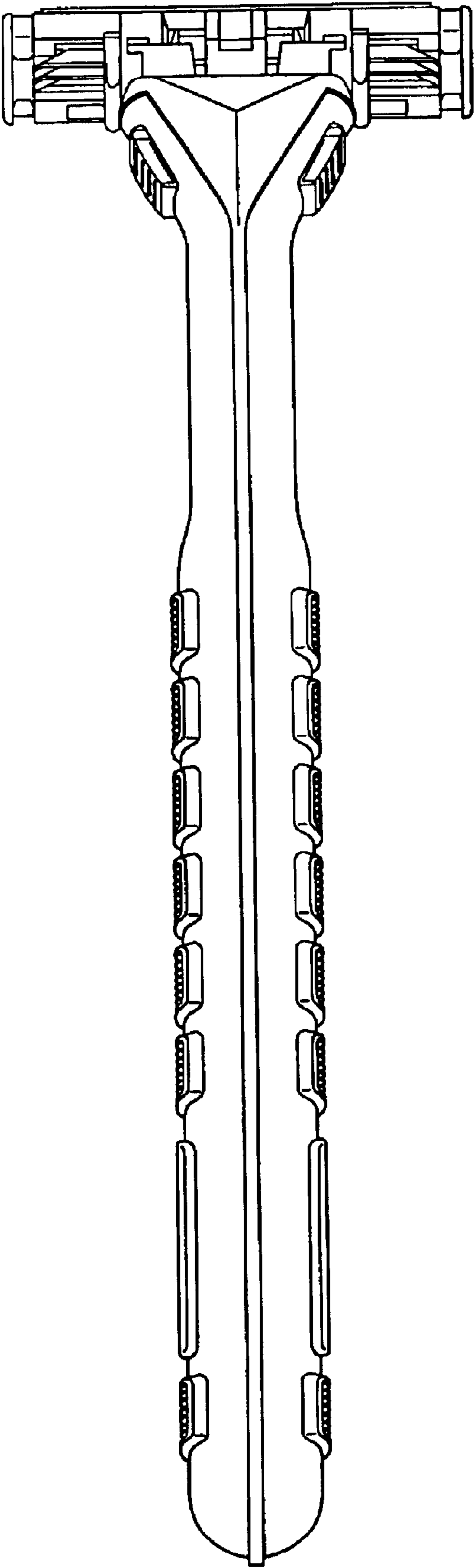
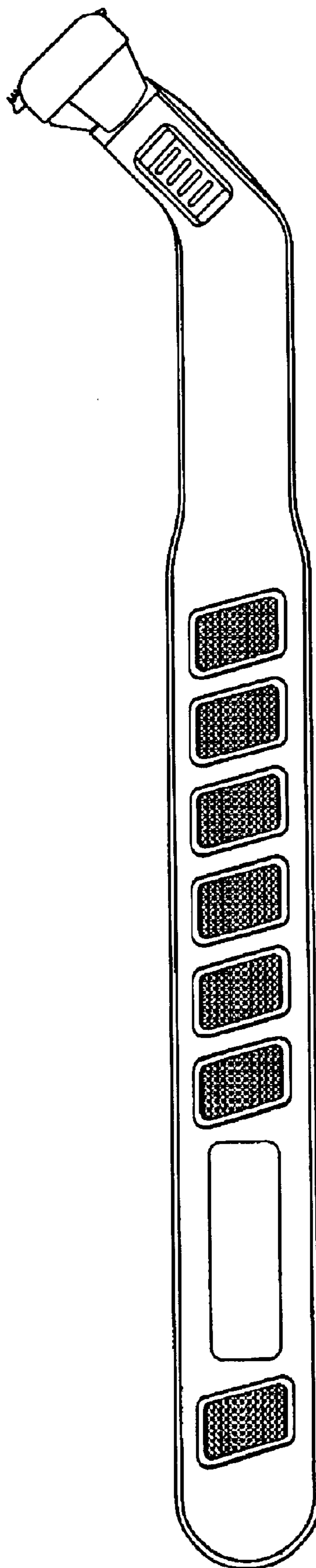


FIG. 2

FIG. 3



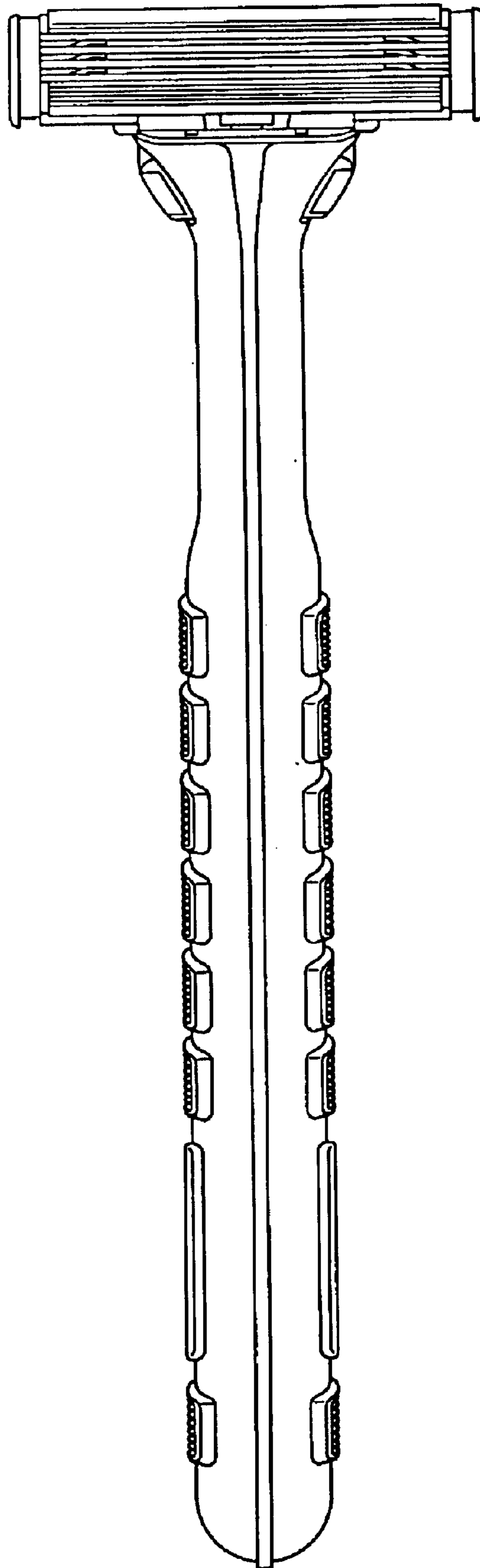


FIG. 4

FIG. 5

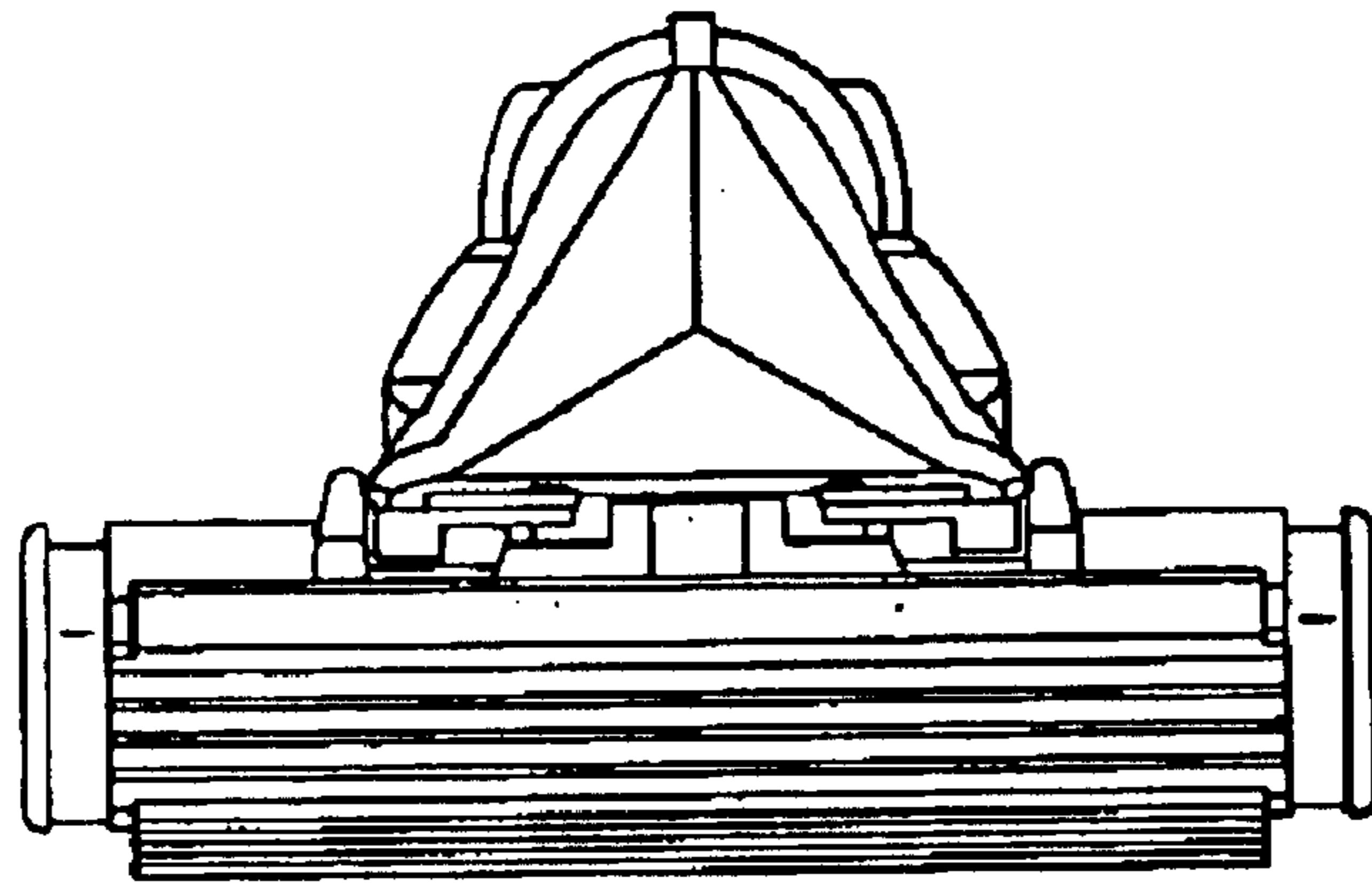


FIG. 6

