

US00D500883S

(12) **United States Design Patent**
Herst et al.

(10) **Patent No.:** **US D500,883 S**
(45) **Date of Patent:** **** Jan. 11, 2005**

(54) **PORTION OF A LUMINOUS HOUSING FOR A LIGHTING FIXTURE**

(75) Inventors: **Douglas J. Herst**, Ross, CA (US);
Utkan Salman, Oakland, CA (US)

(73) Assignee: **Acuity Brands, Inc.**, Atlanta, GA (US)

(**) Term: **14 Years**

(21) Appl. No.: **29/194,683**

(22) Filed: **Nov. 26, 2003**

(51) **LOC (7) Cl.** **26-99**

(52) **U.S. Cl.** **D26/118; D26/76**

(58) **Field of Search** D26/75-79, 118,
D26/120-124; 362/217, 218, 222, 223-224,
326, 334-336, 338, 362, 363, 260

(56) **References Cited**

U.S. PATENT DOCUMENTS

D124,617 S	*	1/1941	Strassburger et al.	D26/76
D127,398 S	*	5/1941	Jordan	D26/76
4,669,033 A	*	5/1987	Lee	362/217
5,746,502 A	*	5/1998	Huang	362/260
D472,668 S	*	4/2003	Herst et al.	D26/118
6,540,382 B1	*	4/2003	Simon	362/335
6,543,912 B1	*	4/2003	Simon	362/338

* cited by examiner

Primary Examiner—Jennifer Rivard

(74) *Attorney, Agent, or Firm*—Donald L. Beeson

(57) **CLAIM**

The ornamental design for a portion of a luminous housing for a lighting fixture, as shown and described.

DESCRIPTION

FIG. 1 is a bottom perspective view of a portion of a luminous housing for a lighting fixture showing our new design;

FIG. 2 is an enlarged end elevational view thereof;

FIG. 3 is an enlarged side elevational view thereof, the other side being a mirror image; and

FIG. 4 is an enlarged bottom plan view thereof.

FIG. 5 is a bottom perspective view of an alternative embodiment of a portion of a luminous housing for a lighting fixture showing our new design;

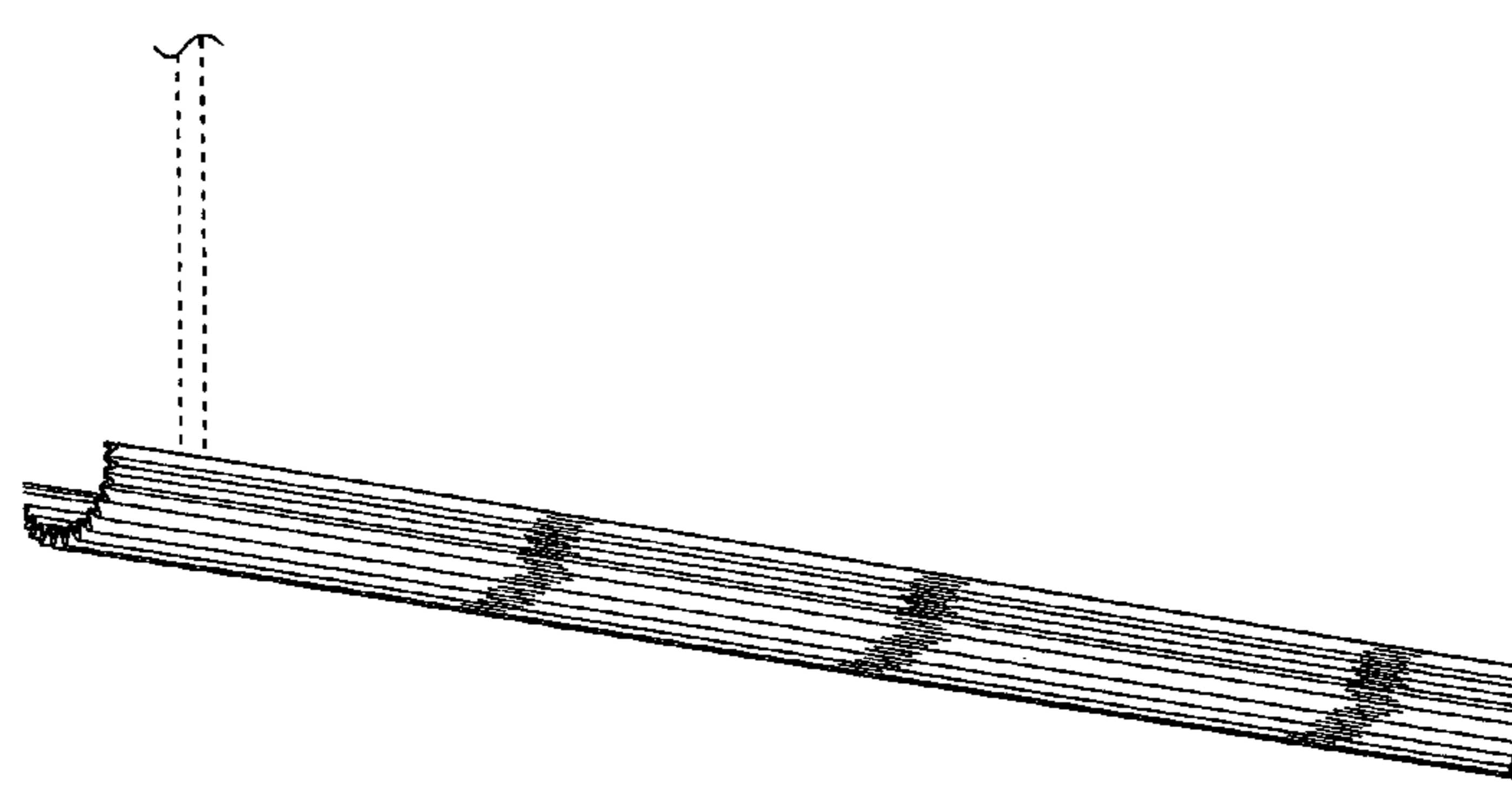
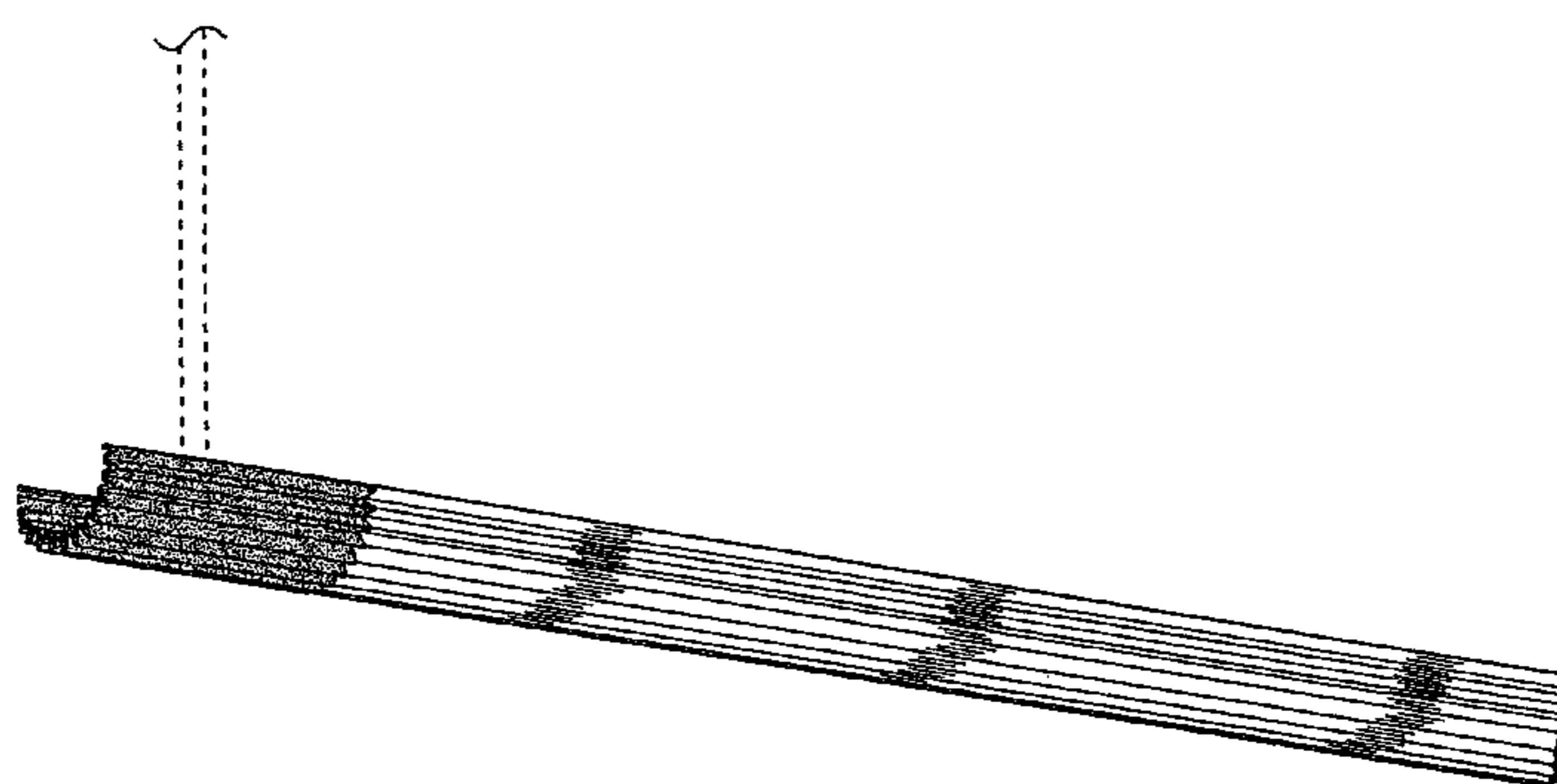
FIG. 6 is an enlarged end elevational view thereof;

FIG. 7 is an enlarged side elevational view thereof, the other side being a mirror image; and,

FIG. 8 is an enlarged bottom plan view thereof.

FIGS. 1, 3-5, and 7-8 are broken away to indicate indeterminate length. The broken lines are shown in FIGS. 1-3 and 5-7 for illustrative purposes only and indicate the nature and use of our new design; they form no part of our claimed design. The top of the portion of the luminous housing is not visible during normal use and forms no part of our claimed design.

1 Claim, 6 Drawing Sheets



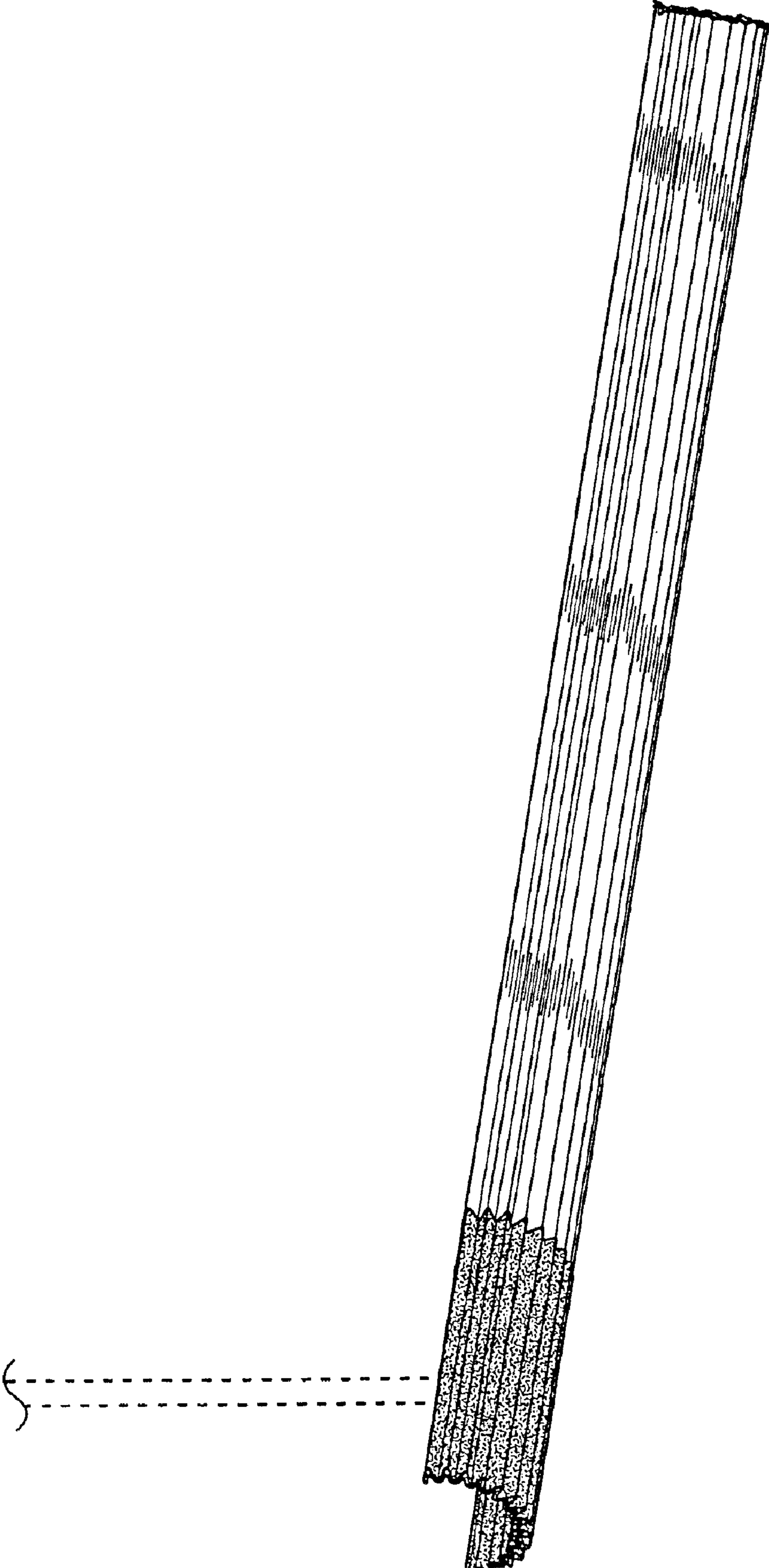


FIG.- 1

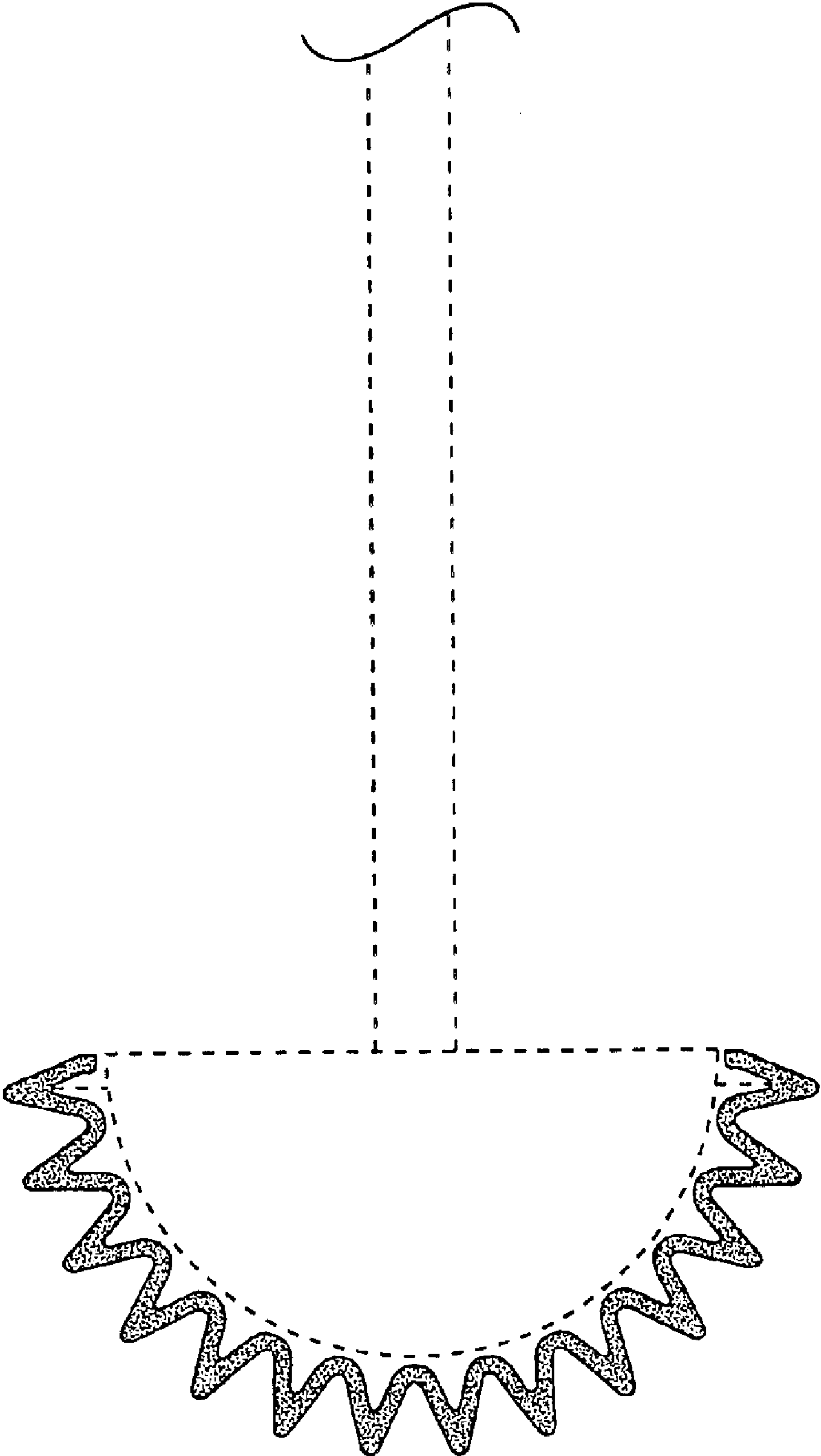


FIG. 2

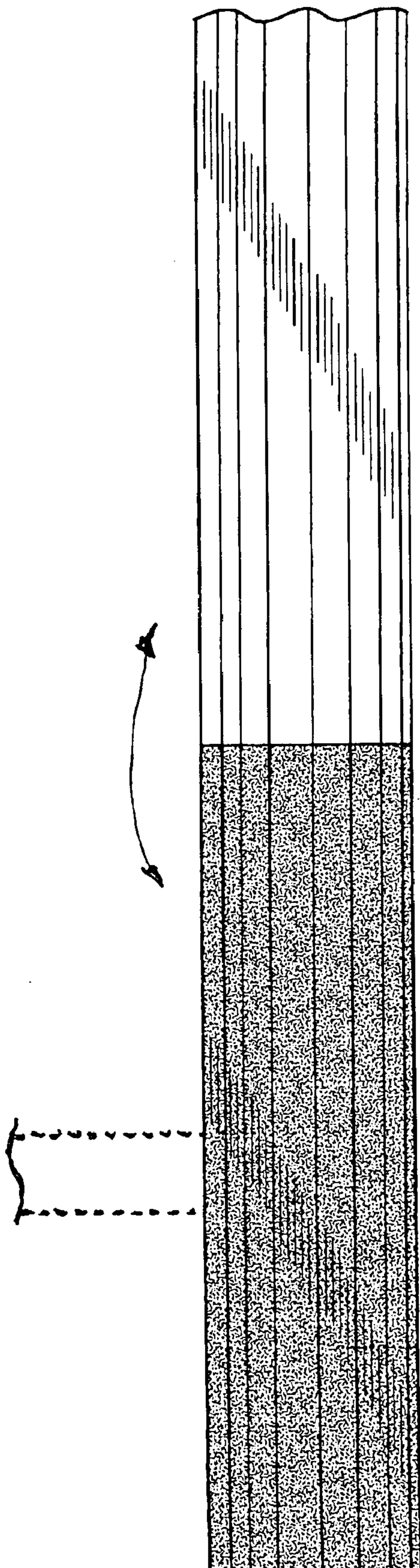


FIG.- 3

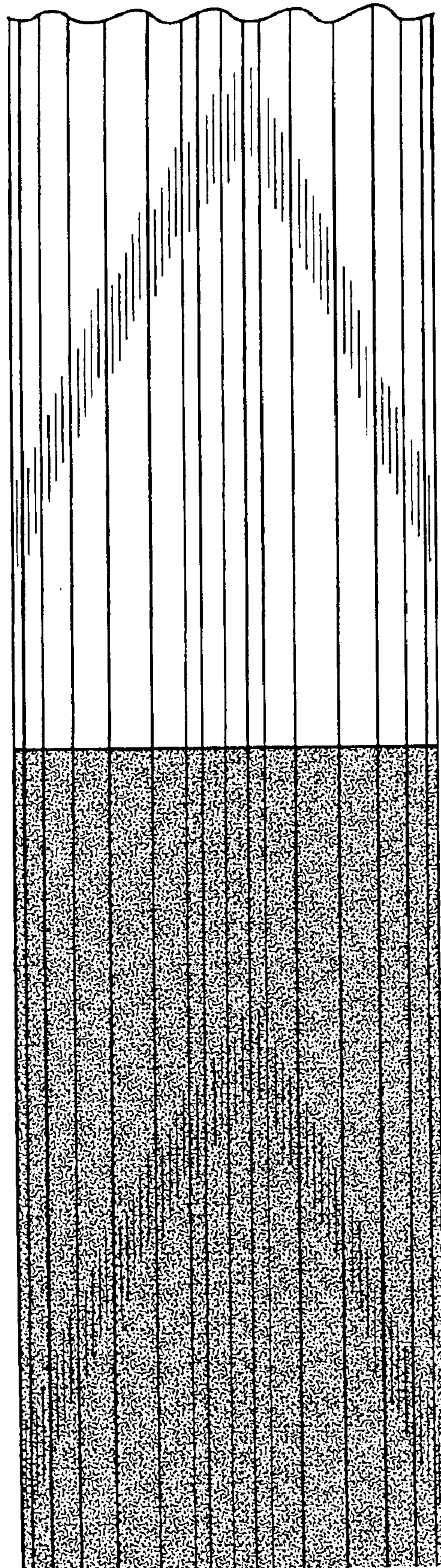


FIG.- 4

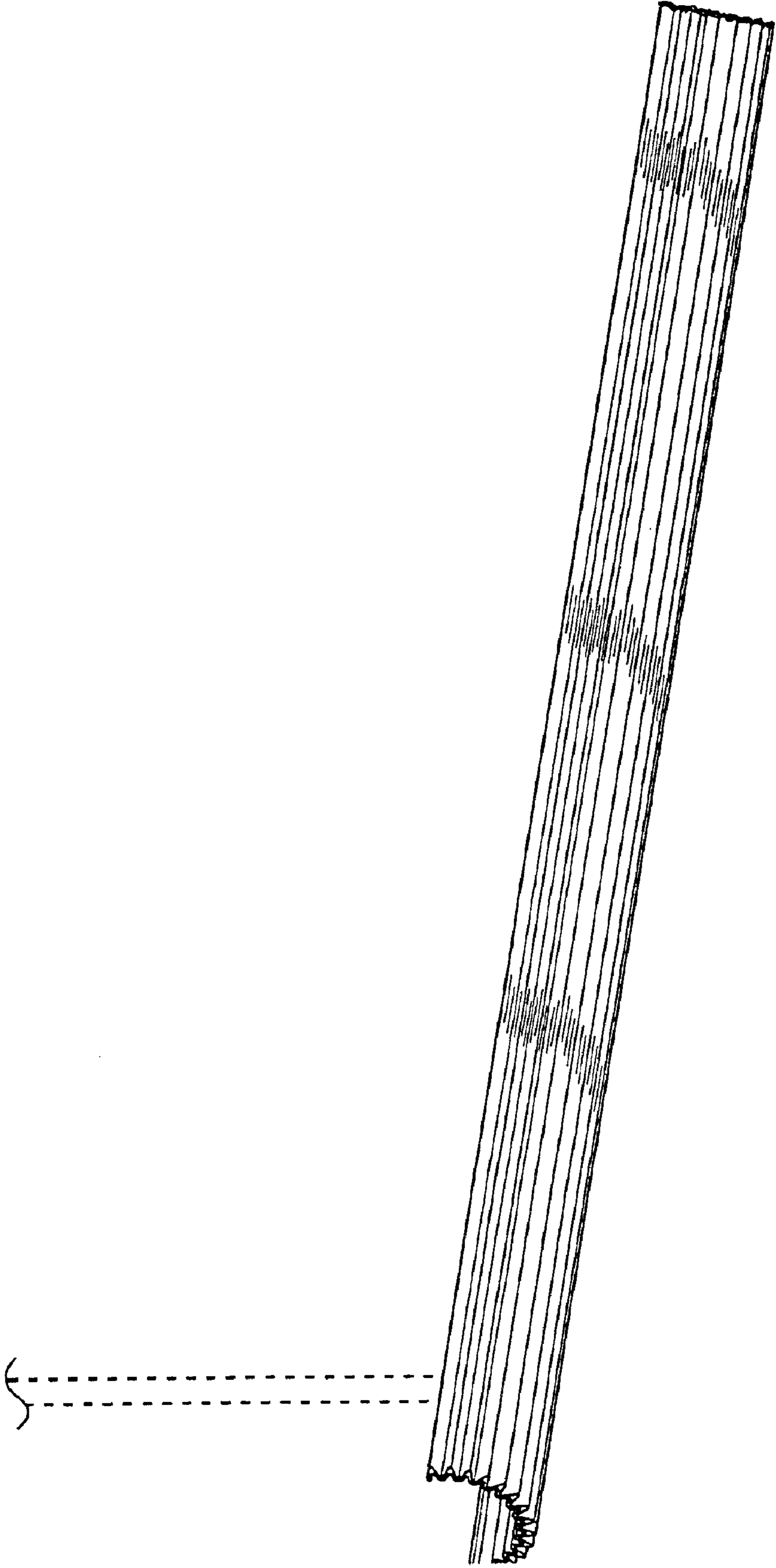


FIG.-5

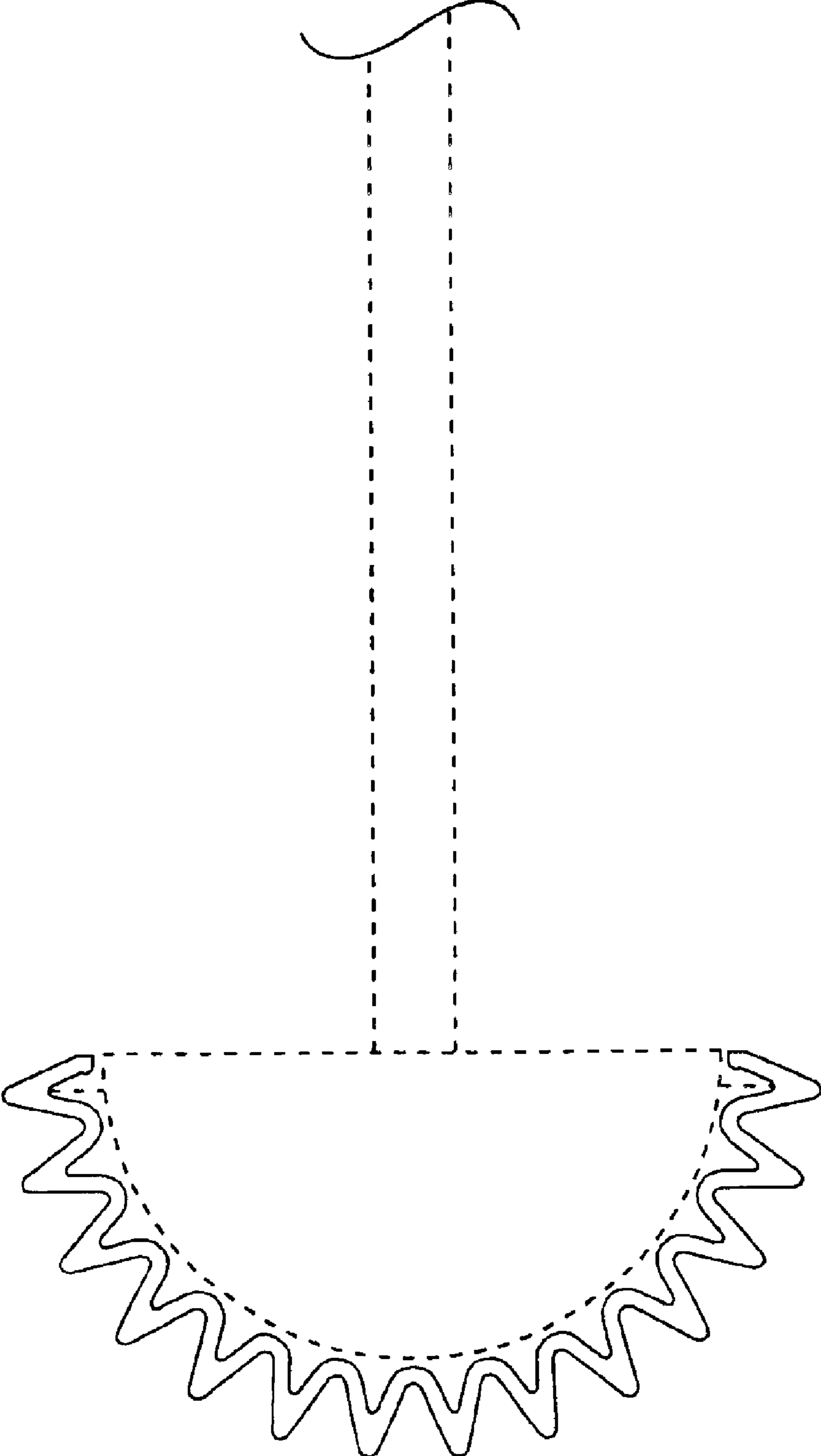


FIG. 6

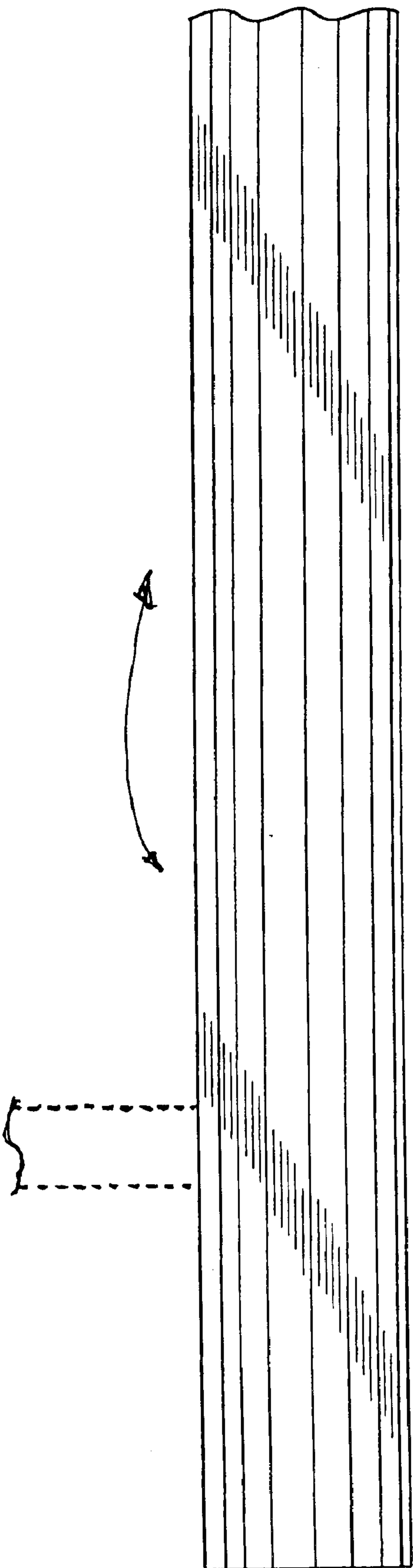


FIG.- 7

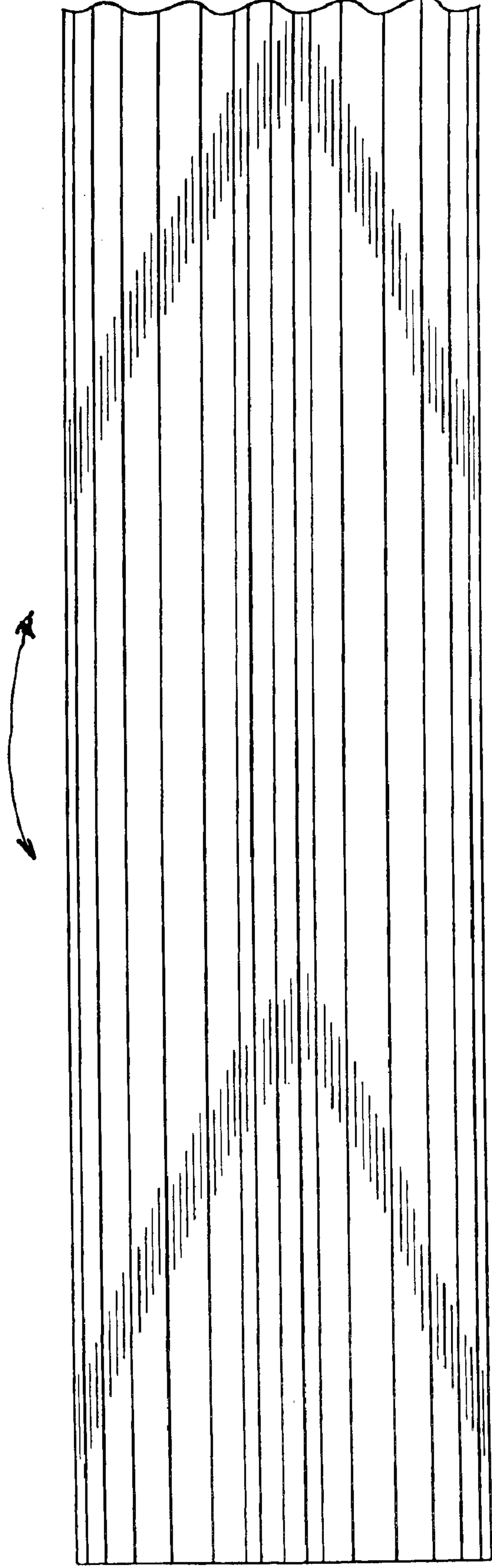


FIG.- 8