

US00D500882S

(12) **United States Design Patent**
Herst et al.

(10) **Patent No.:** **US D500,882 S**
(45) **Date of Patent:** **** Jan. 11, 2005**

(54) **PORTION OF A LUMINOUS HOUSING FOR A LIGHTING FIXTURE**

(75) Inventors: **Douglas J. Herst**, Ross, CA (US);
Utkan Salman, Oakland, CA (US)

(73) Assignee: **Acuity Brands, Inc.**, Atlanta, GA (US)

(**) Term: **14 Years**

(21) Appl. No.: **29/194,682**

(22) Filed: **Nov. 26, 2003**

(51) **LOC (7) Cl.** **26-99**

(52) **U.S. Cl.** **D26/118; D26/76**

(58) **Field of Search** D26/75-79, 118,
D26/120-124; 362/217, 218, 222, 223-224,
326, 334-336, 338, 362, 363, 260

(56) **References Cited**

U.S. PATENT DOCUMENTS

2,401,635	A	*	6/1946	Guth	362/224
D198,183	S	*	5/1964	Akely	D26/76
4,499,529	A	*	2/1985	Figueroa	362/217
D387,462	S	*	12/1997	Huang	D26/75
5,997,157	A	*	12/1999	Chen	362/217
D426,338	S	*	6/2000	Herst et al.	D26/75
D472,667	S	*	4/2003	Herst et al.	D26/118
6,540,382	B1	*	4/2003	Simon	362/335

* cited by examiner

Primary Examiner—Jennifer Rivard

(74) *Attorney, Agent, or Firm*—Donald L. Beeson

(57) **CLAIM**

The ornamental design for a portion of a luminous housing for a lighting fixture, as shown and described.

DESCRIPTION

FIG. 1 is a bottom perspective view of a portion of a luminous housing for a lighting fixture showing our new design;

FIG. 2 is an enlarged end elevational view thereof;

FIG. 3 is an enlarged side elevational view thereof, the other side being a mirror image; and

FIG. 4 is an enlarged bottom plan view thereof.

FIG. 5 is a bottom perspective view of an alternative embodiment of a portion of a luminous housing for a lighting fixture showing our new design;

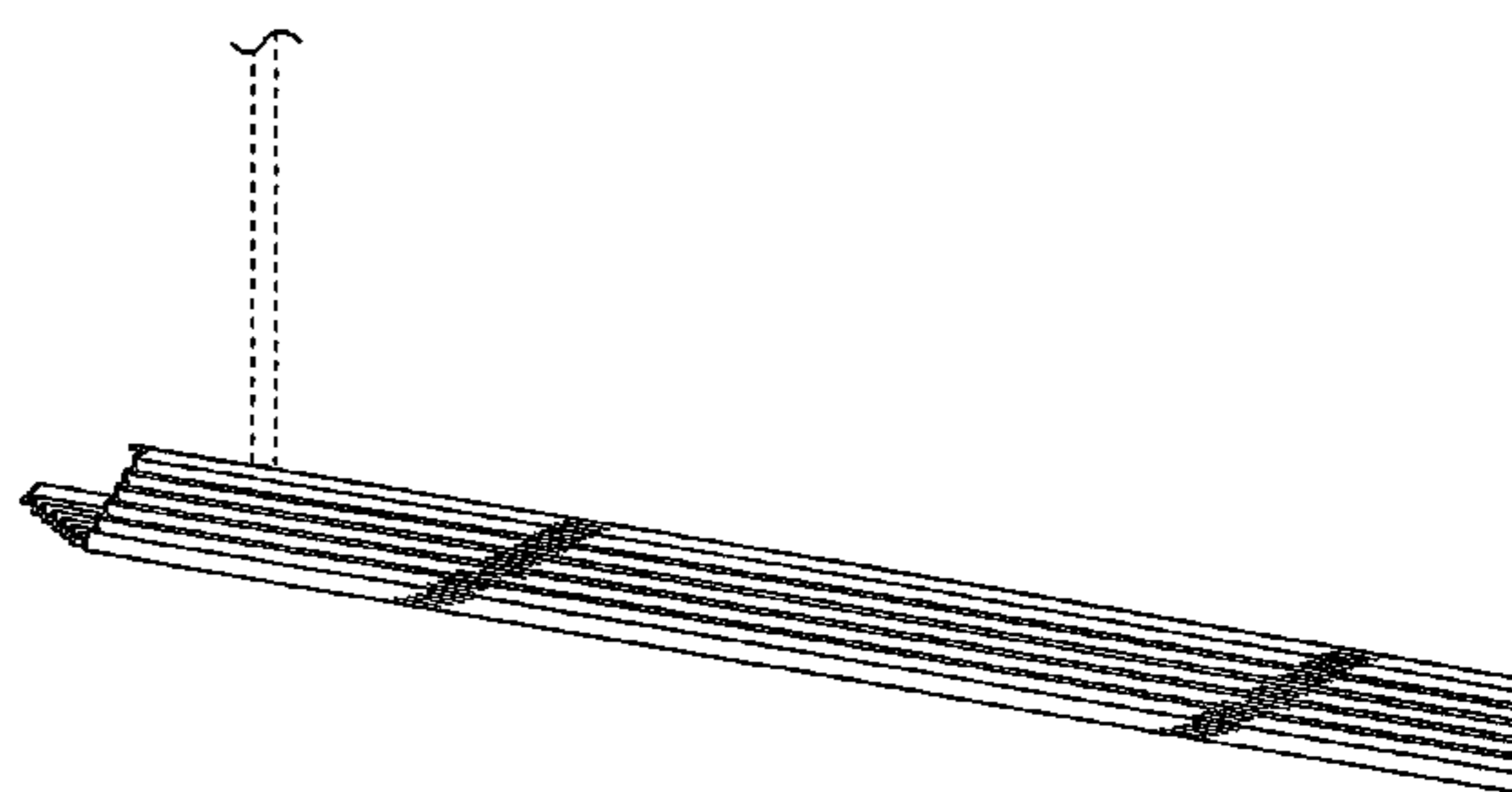
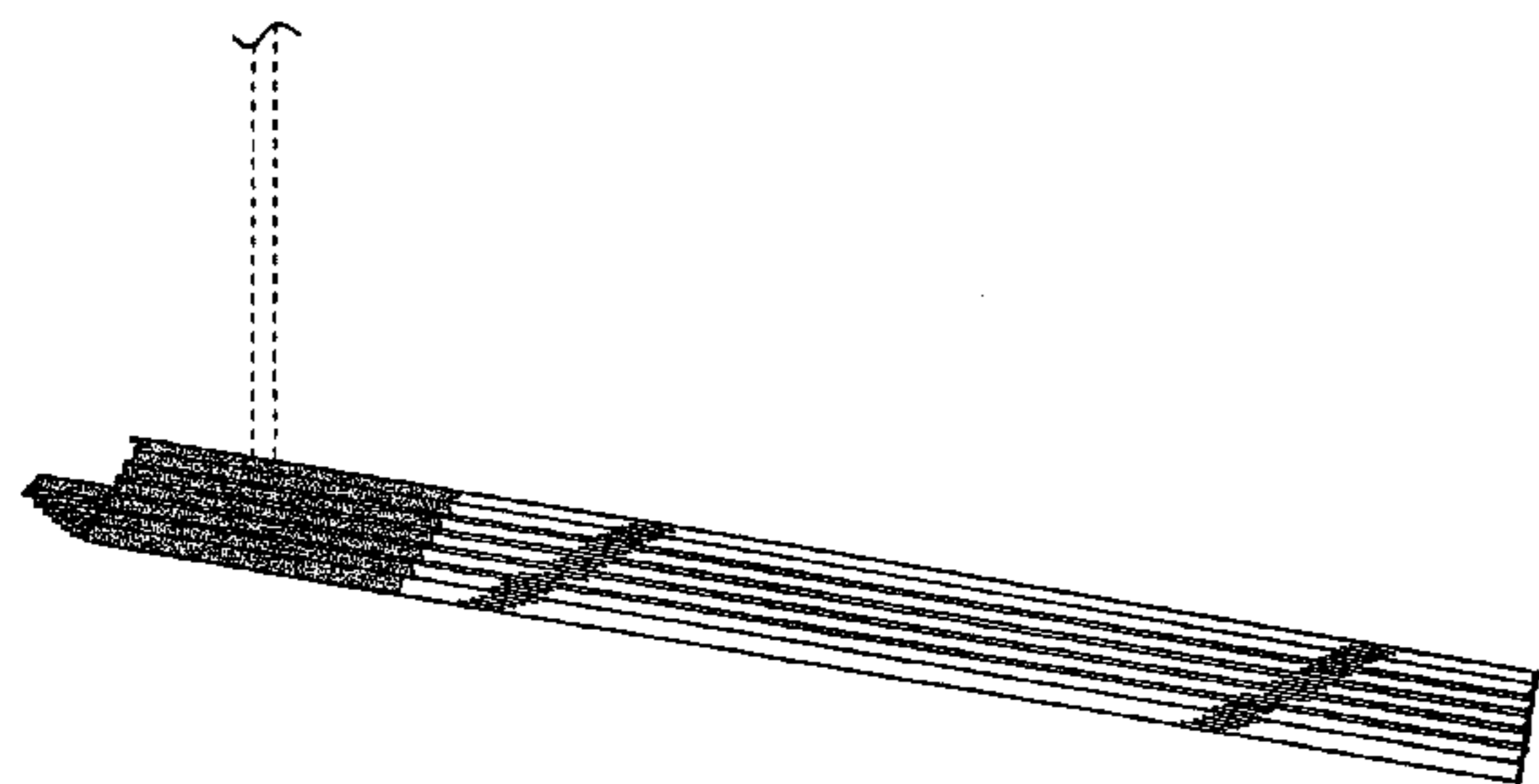
FIG. 6 is an enlarged end elevational view thereof;

FIG. 7 is an enlarged side elevational view thereof, the other side being a mirror image; and,

FIG. 8 is an enlarged bottom plan view thereof.

FIGS. 1, 3-5, and 7-8 are broken away to indicate indeterminate length. The broken lines are shown in FIGS. 1-3 and 5-7 for illustrative purposes only and indicate the nature and use of our new design; they form no part of our claimed design. The top of the portion of the luminous housing is not visible during normal use and forms no part of our claimed design.

1 Claim, 6 Drawing Sheets



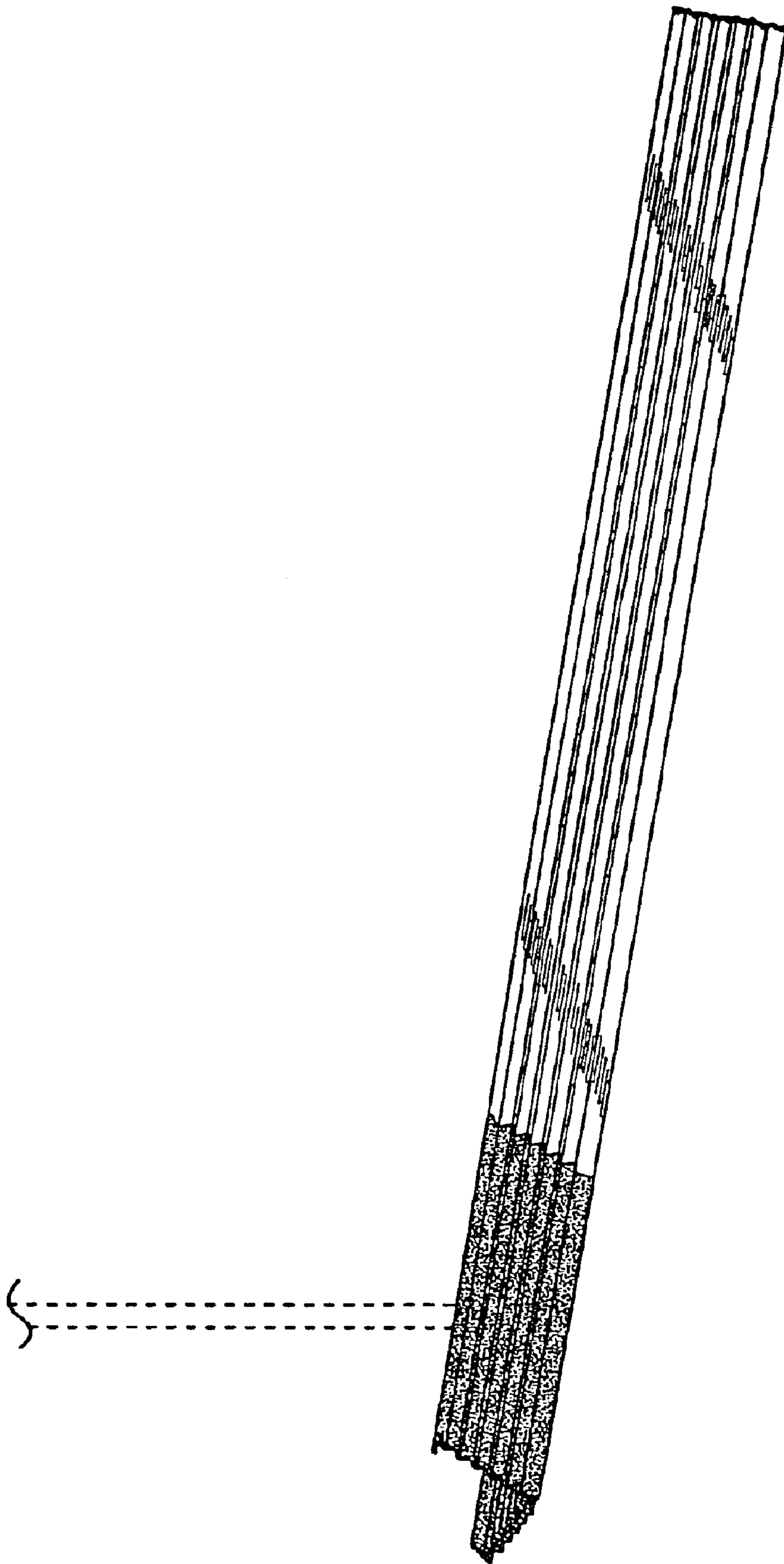


FIG.-1

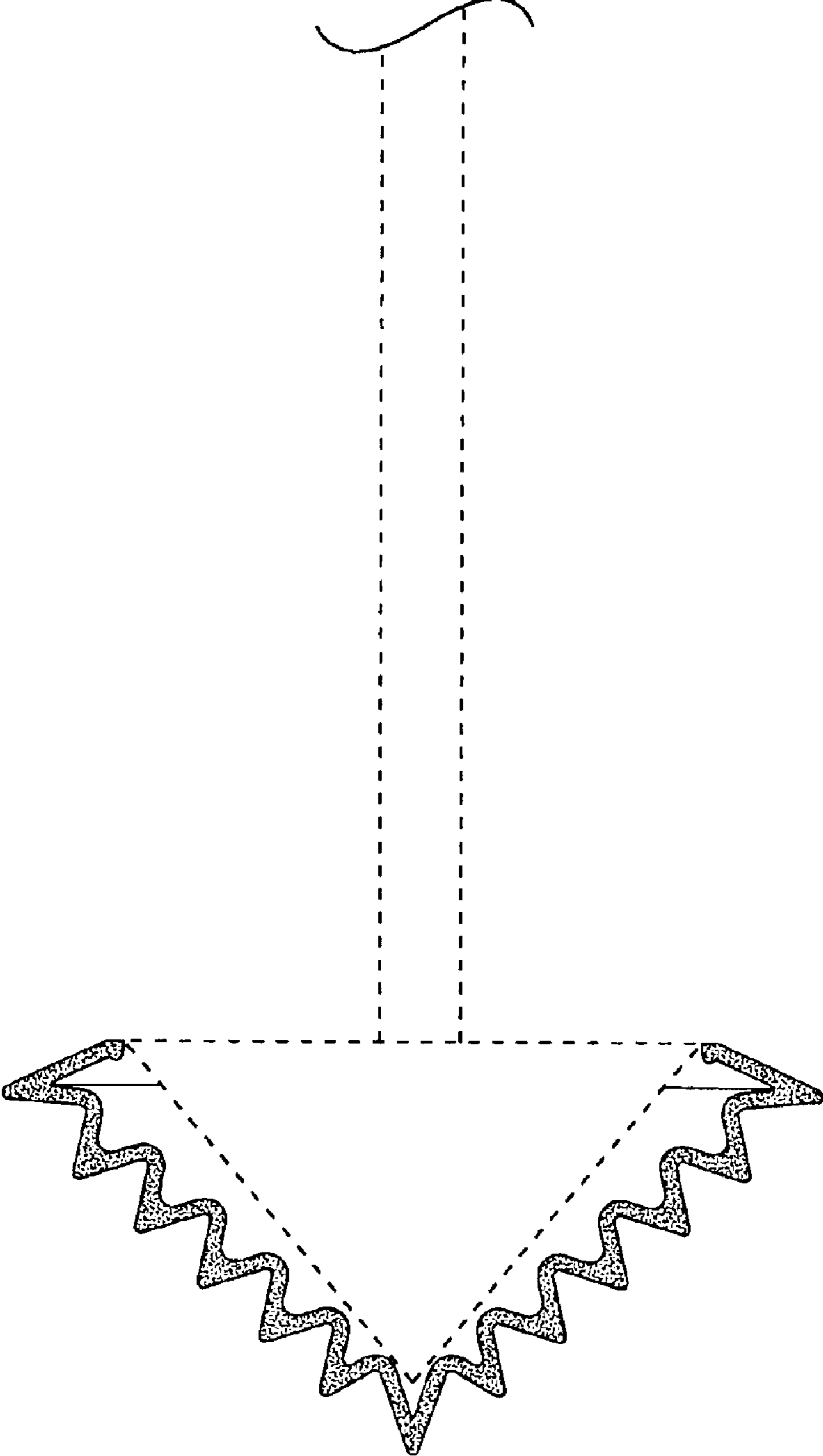


FIG.--2

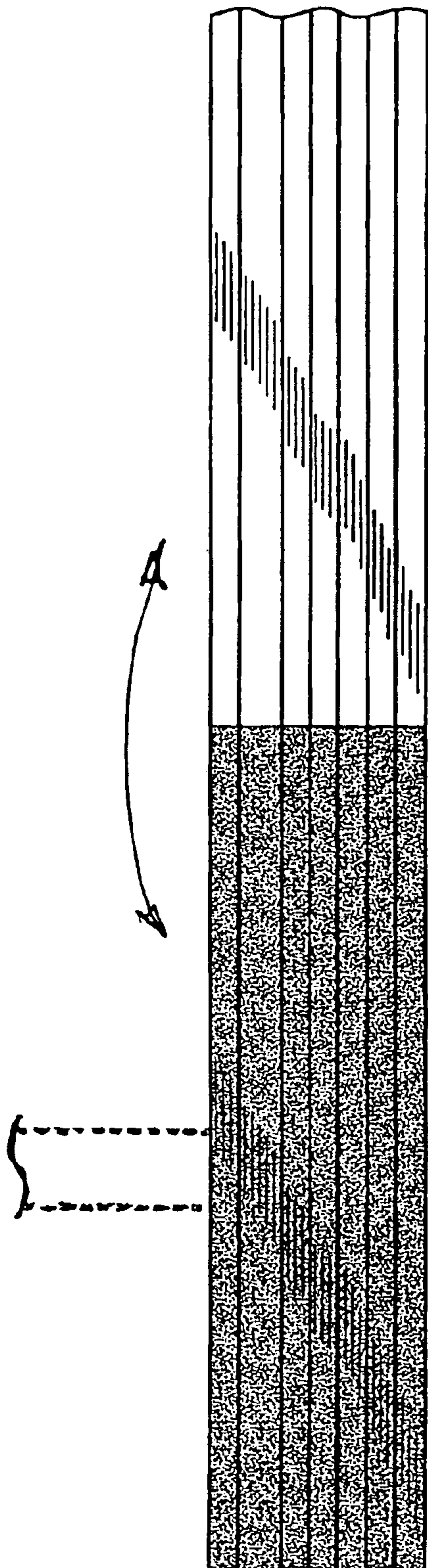


FIG. 3

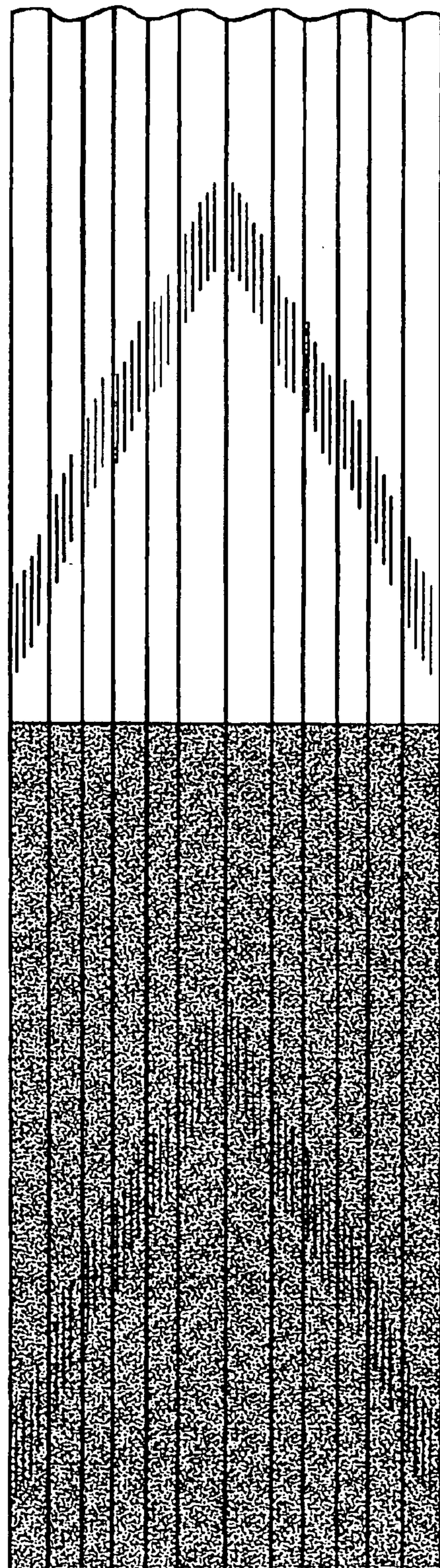


FIG. 4

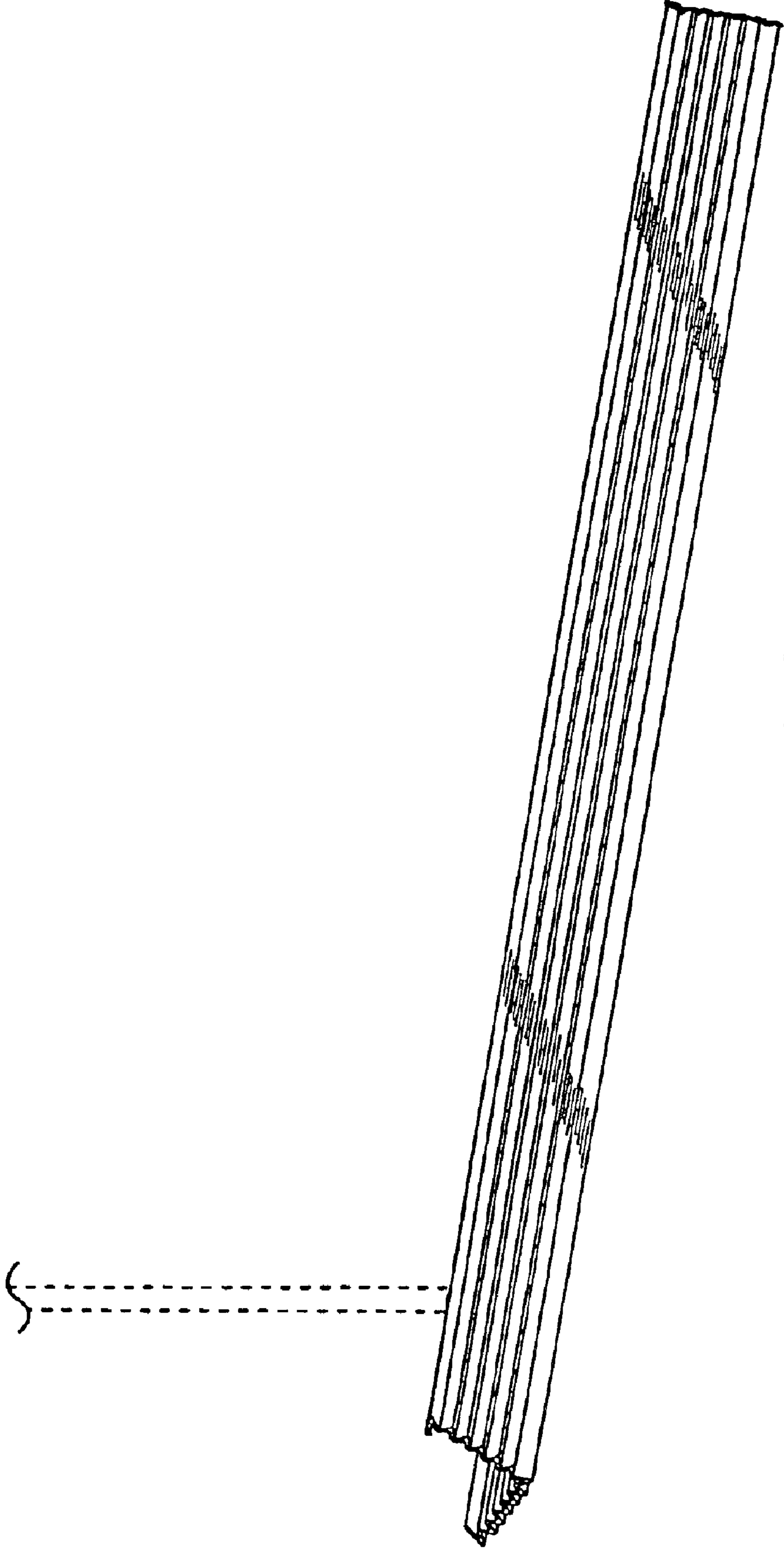


FIG.-5

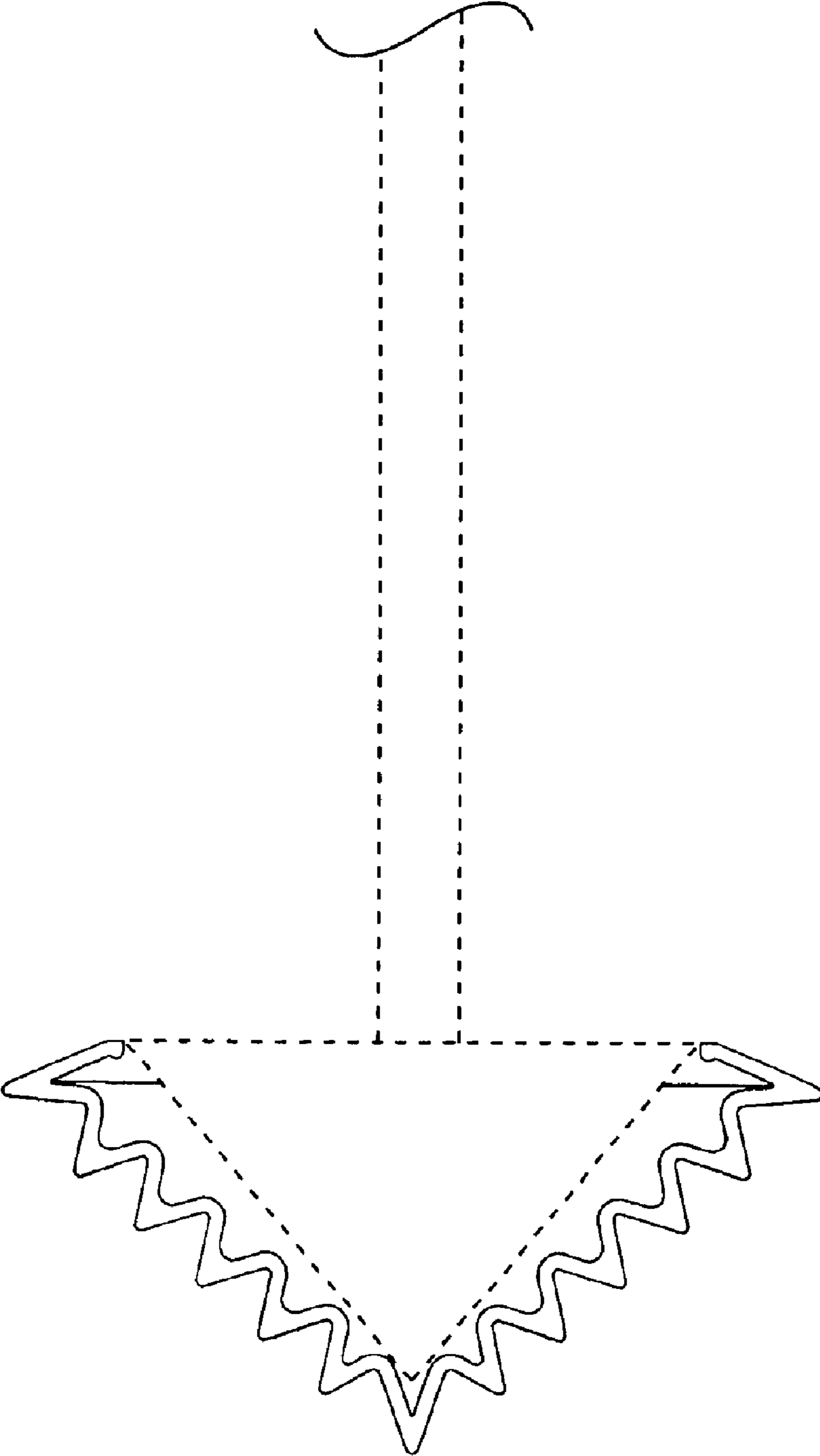


FIG.-6

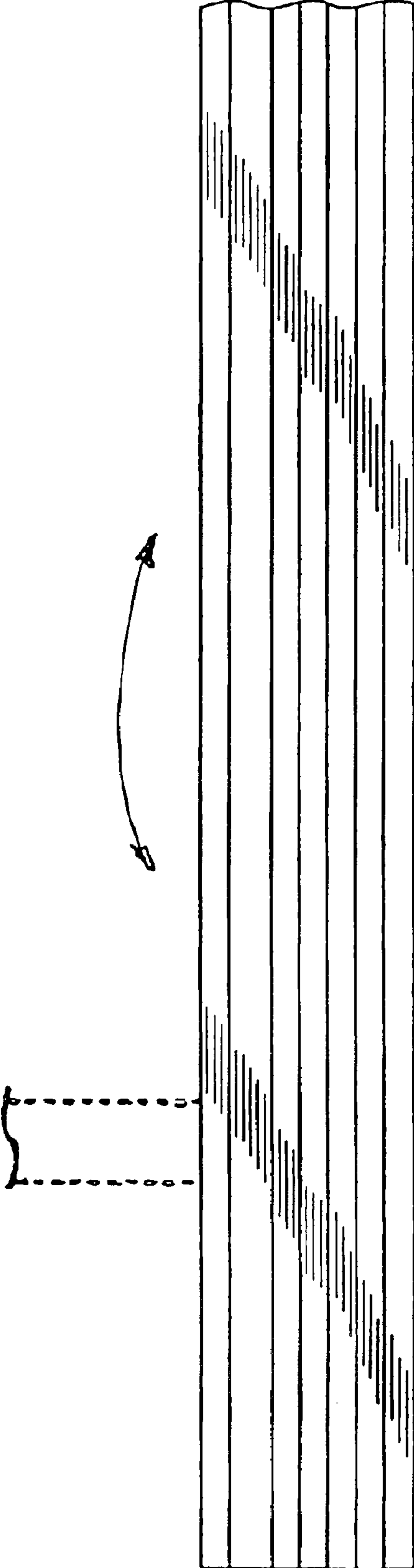


FIG. 7

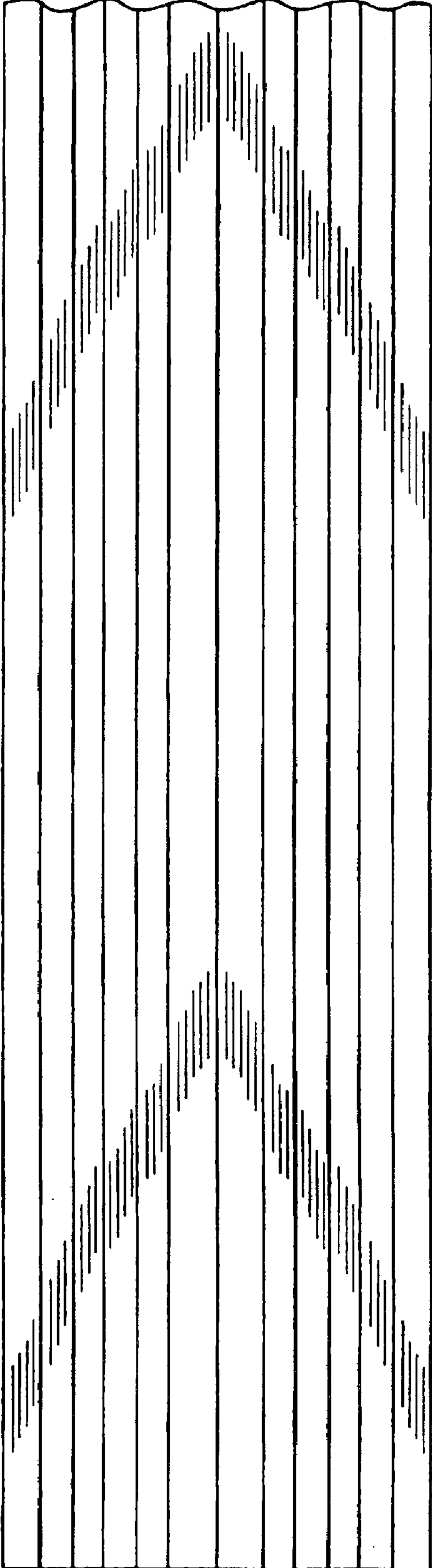


FIG. 8