

US00D500880S

(12) **United States Design Patent**
Swanson

(10) **Patent No.: US D500,880 S**
(45) **Date of Patent: ** Jan. 11, 2005**

(54) **TORCHIERE LAMP WITH SINGLE FLEX
ARM TASK LIGHT**

5,016,154 A * 5/1991 Leeyeh 362/414
D348,113 S * 6/1994 Swanson D26/63
D353,904 S * 12/1994 Swanson D26/63
D381,104 S * 7/1997 Linstone D26/62

(75) Inventor: **Dennis K. Swanson**, Woodland Hills,
CA (US)

* cited by examiner

(73) Assignee: **Lamps Plus, Inc.**, Chatsworth, CA
(US)

Primary Examiner—Alan P. Douglas

Assistant Examiner—Linda Brooks

(**) Term: **14 Years**

(74) *Attorney, Agent, or Firm*—Fulbright & Jaworski L.L.P.

(21) Appl. No.: **29/147,490**

(57) **CLAIM**

(22) Filed: **Dec. 27, 1996**

The ornamental design of a torchiere lamp with single flex
arm task light, substantially as shown and described.

Related U.S. Application Data

DESCRIPTION

(62) Division of application No. 29/049,794, filed on Jan. 31,
1996, now Pat. No. Des. 396,123.

FIG. 1 is a perspective view of a torchiere lamp with a single
flexarm task light in accordance with the present invention;

(51) **LOC (7) Cl.** **26-03**

FIG. 2 is a left side view thereof;

(52) **U.S. Cl.** **D26/102**

FIG. 3 is a front elevational view thereof;

(58) **Field of Search** D26/62, 63, 65,
D26/93, 102-112; 362/250, 269, 275, 287,
410-414, 401, 418, 419, 427

FIG. 4 is a right side elevational view thereof;

FIG. 5 is a top view thereof; and,

FIG. 6 is a bottom view thereof.

(56) **References Cited**

U.S. PATENT DOCUMENTS

D290,521 S * 6/1987 Engel D26/62

1 Claim, 3 Drawing Sheets

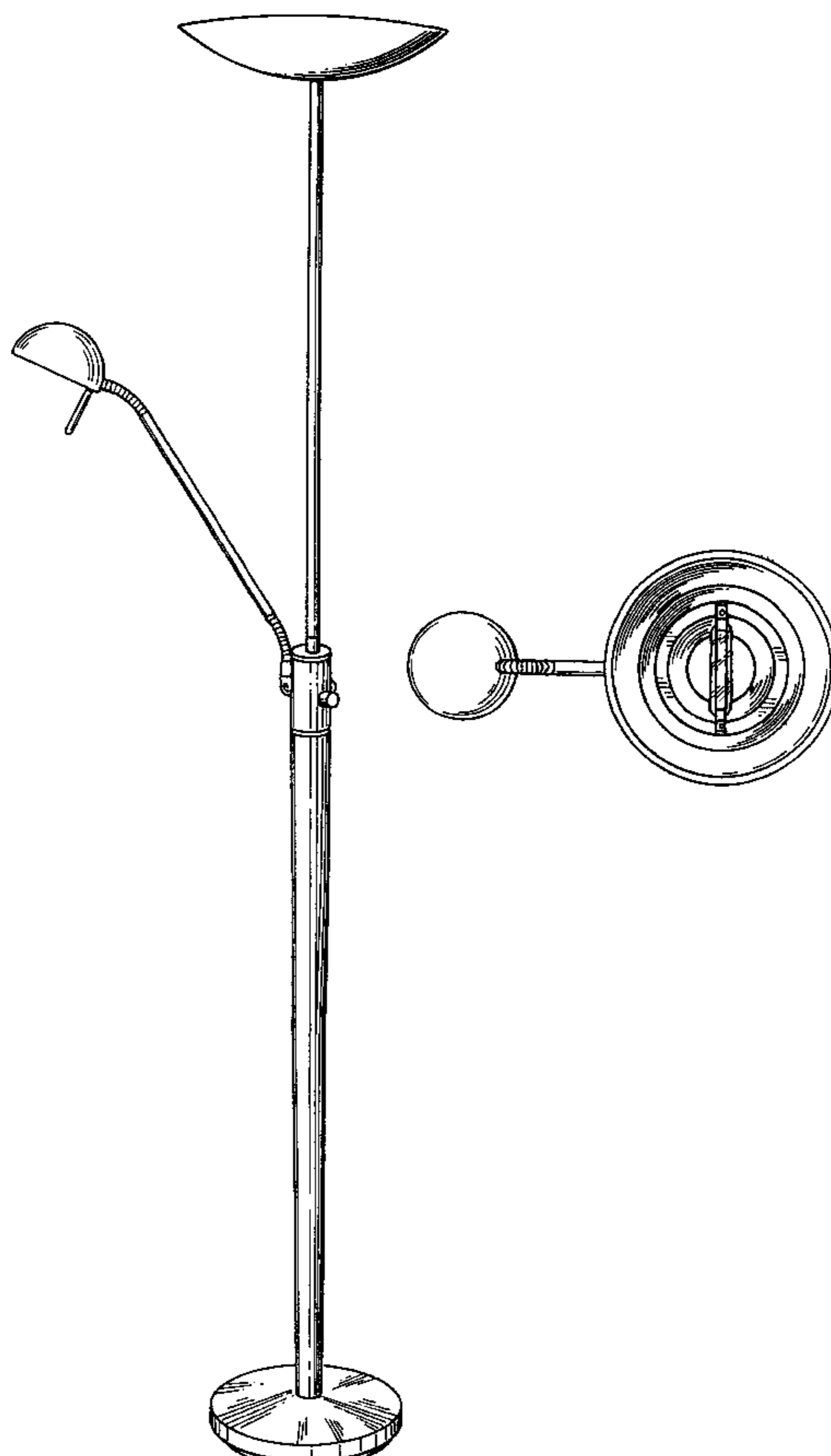


FIG. 1

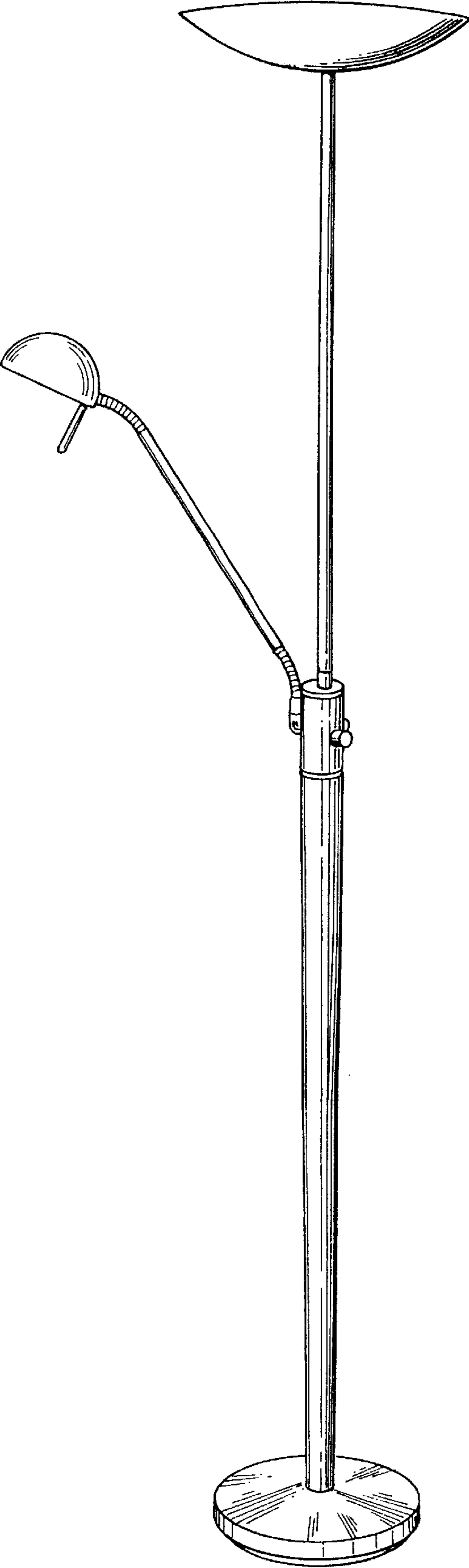


FIG. 2

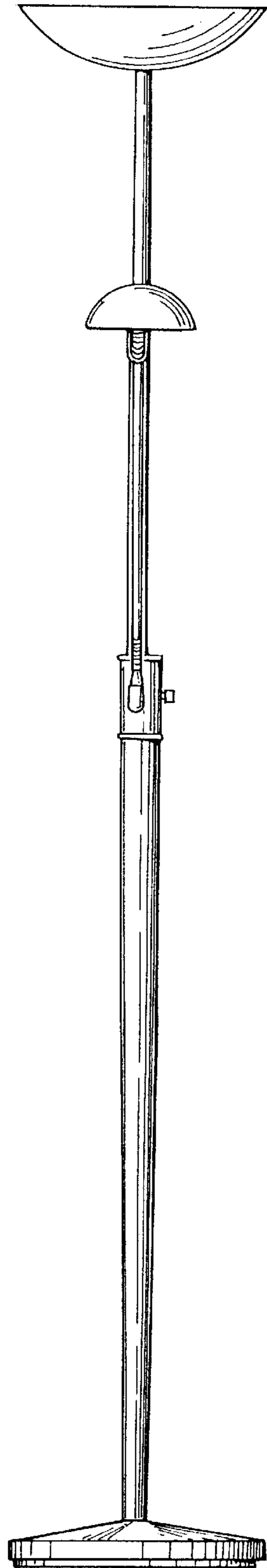
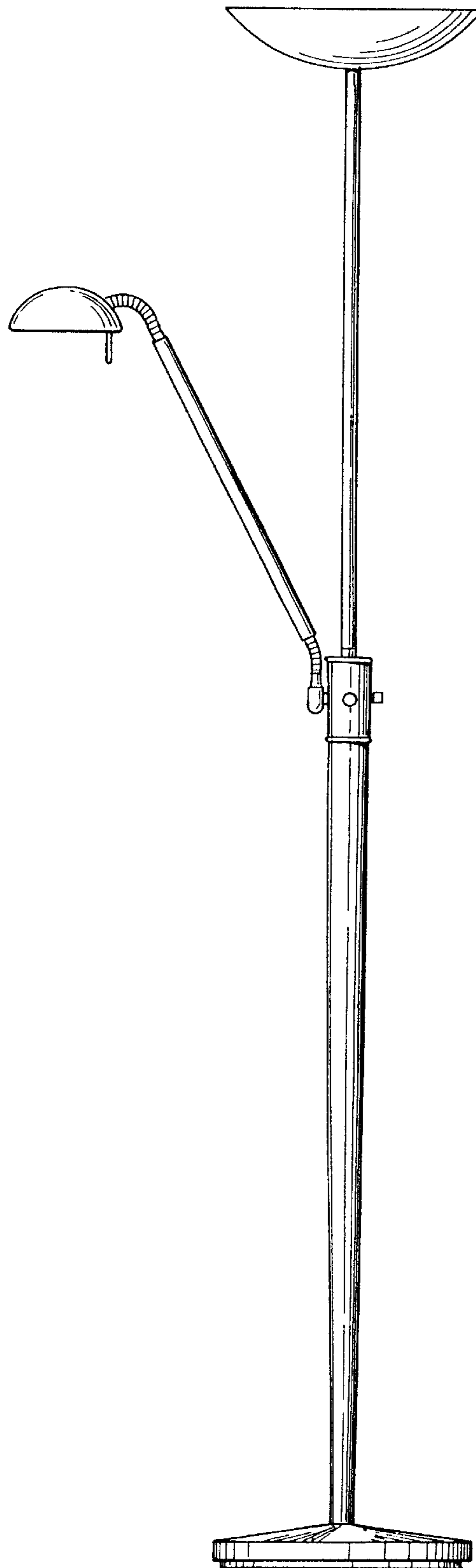


FIG. 3



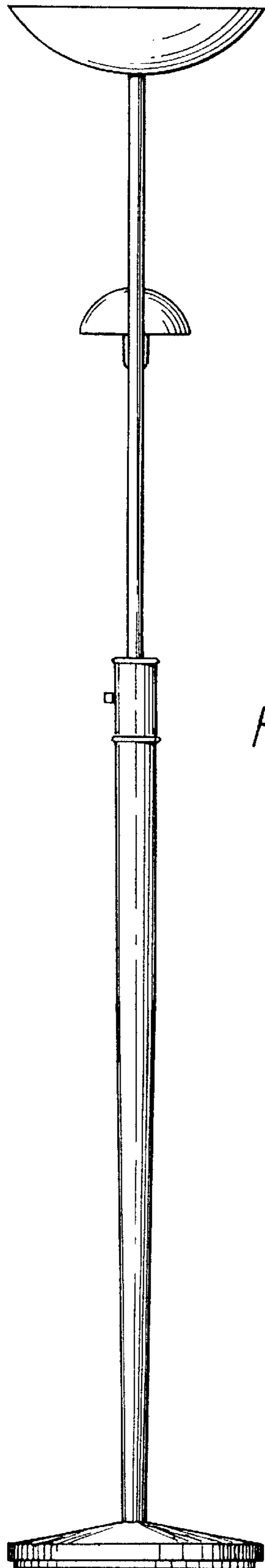


FIG. 4

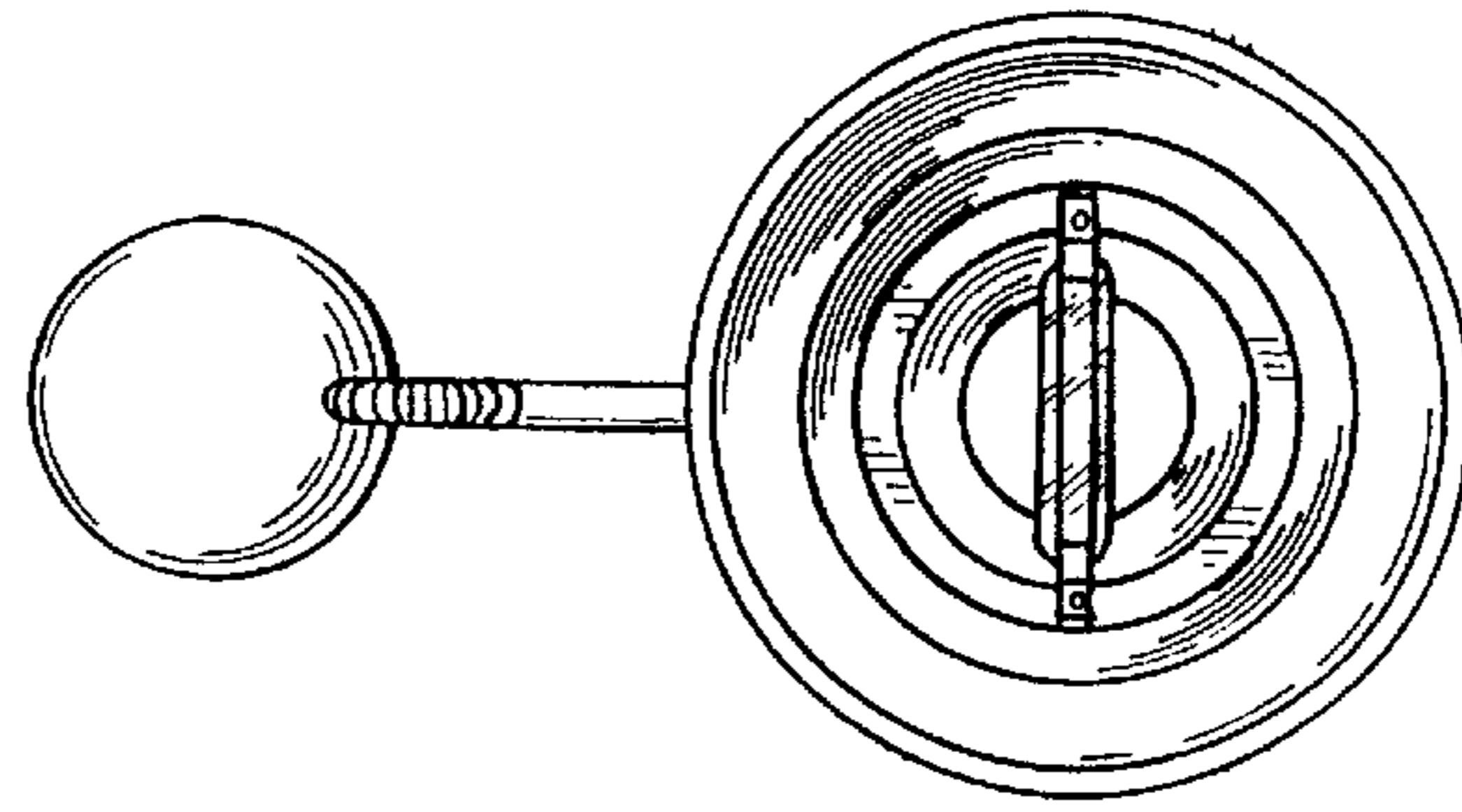


FIG. 5

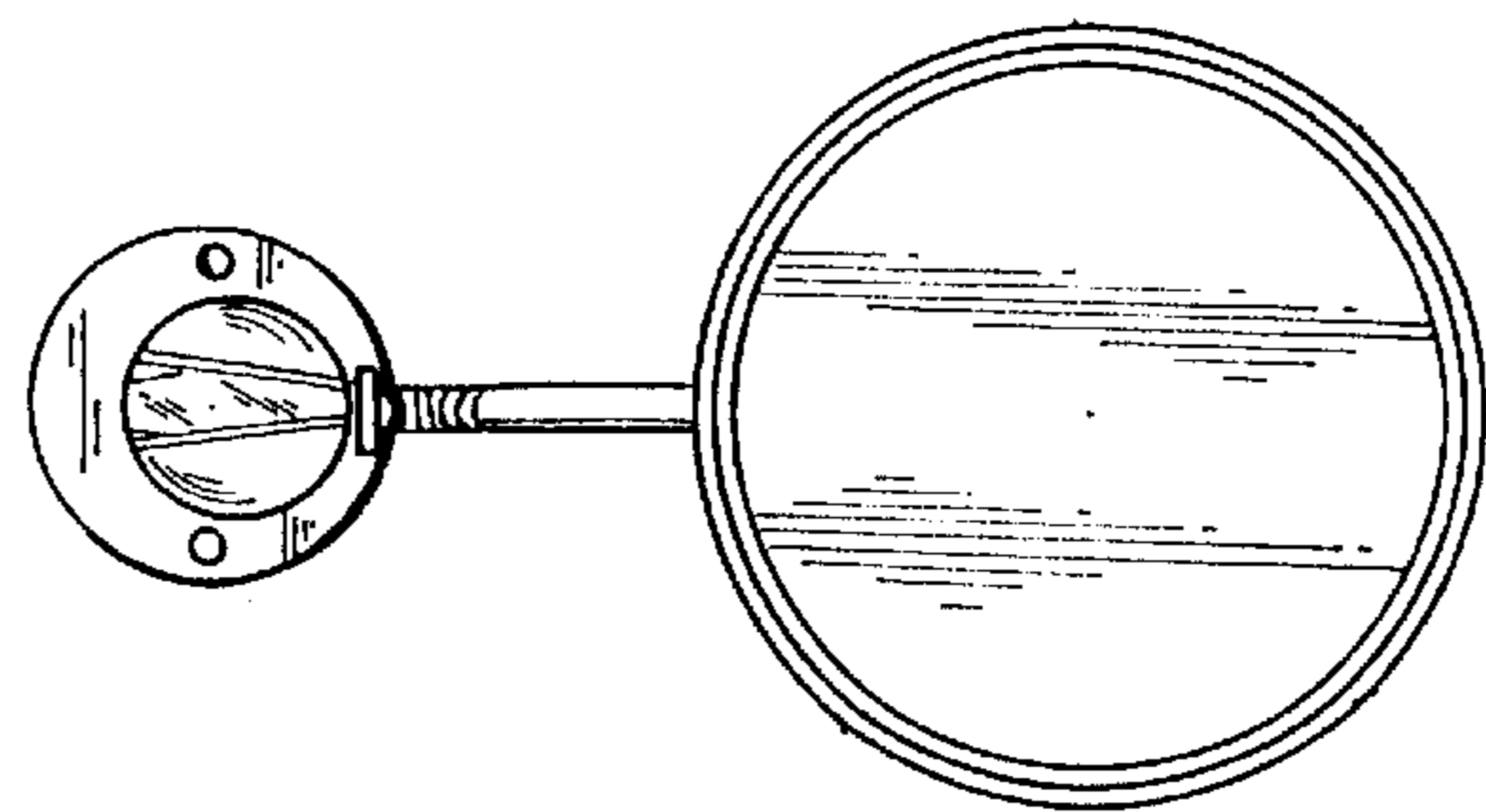


FIG. 6