

US00D500877S

(12) **United States Design Patent**
Sonneman

(10) **Patent No.: US D500,877 S**

(45) **Date of Patent: ** Jan. 11, 2005**

(54) **LAMP**

(76) **Inventor: Robert A. Sonneman, 5 Katie La.,
Mamaroneck, NY (US) 10543**

(**) **Term: 14 Years**

(21) **Appl. No.: 29/203,428**

(22) **Filed: Apr. 13, 2004**

(51) **LOC (7) Cl. 26-05**

(52) **U.S. Cl. D26/71; D26/61; D26/63;
D26/87; D26/107**

(58) **Field of Search D26/67, 68, 71,
D26/72, 80-82, 85-87, 92, 128-132, 145-147,
138, 155, 156, 61, 63, 107; 362/147, 153,
153.1, 370, 431, 432, 404-408; 248/219.2**

(56) **References Cited**

U.S. PATENT DOCUMENTS

D38,316 S	*	11/1906	Duenkel	D26/87
D68,825 S	*	11/1925	Nelson	D26/107
D91,679 S	*	3/1934	McFadden	D26/63
D95,667 S	*	5/1935	Dickerson	D26/107
D97,878 S	*	12/1935	Versen	D26/63

D123,763 S	*	12/1940	Rieland	D26/67
D187,948 S	*	5/1960	Lauterbach	D26/63
D214,941 S	*	8/1969	Hilzen	D26/63
D342,338 S	*	12/1993	Thun	D26/88
D379,547 S	*	5/1997	Tognu'	D26/92
D386,810 S	*	11/1997	Porter et al.	D26/145
D390,680 S	*	2/1998	Giese et al.	D26/68

* cited by examiner

Primary Examiner—Clare E Heflin

(74) *Attorney, Agent, or Firm*—Gottlieb, Rackman & Reisman, P.C.

(57) **CLAIM**

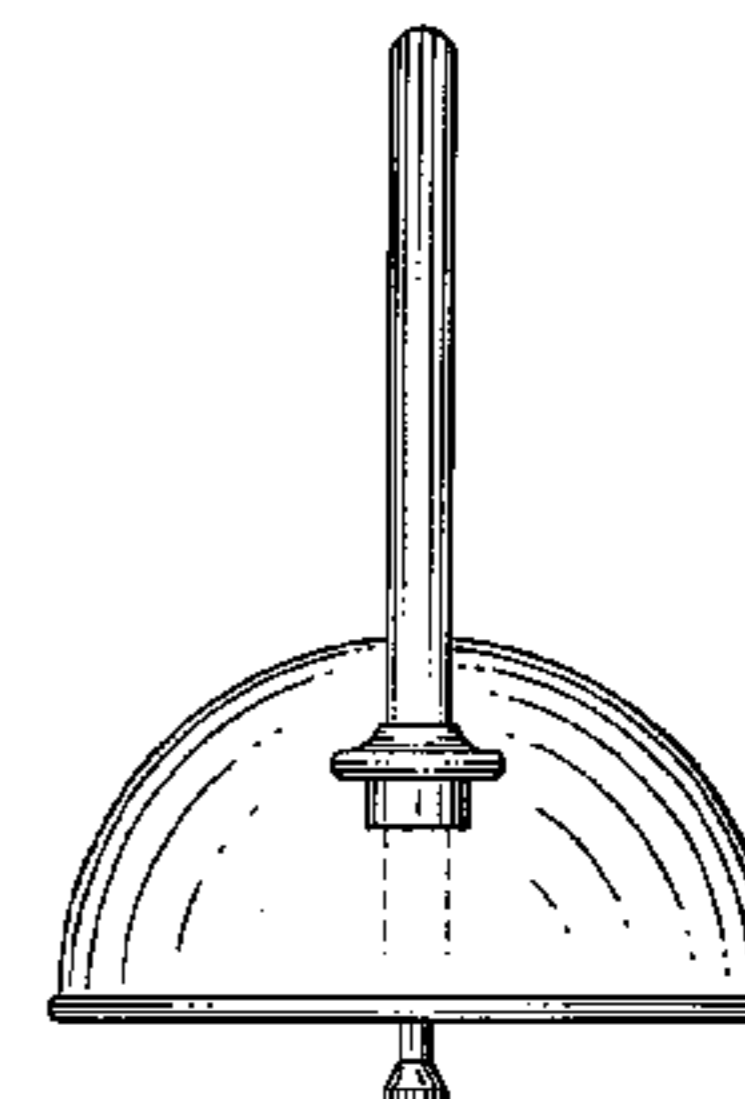
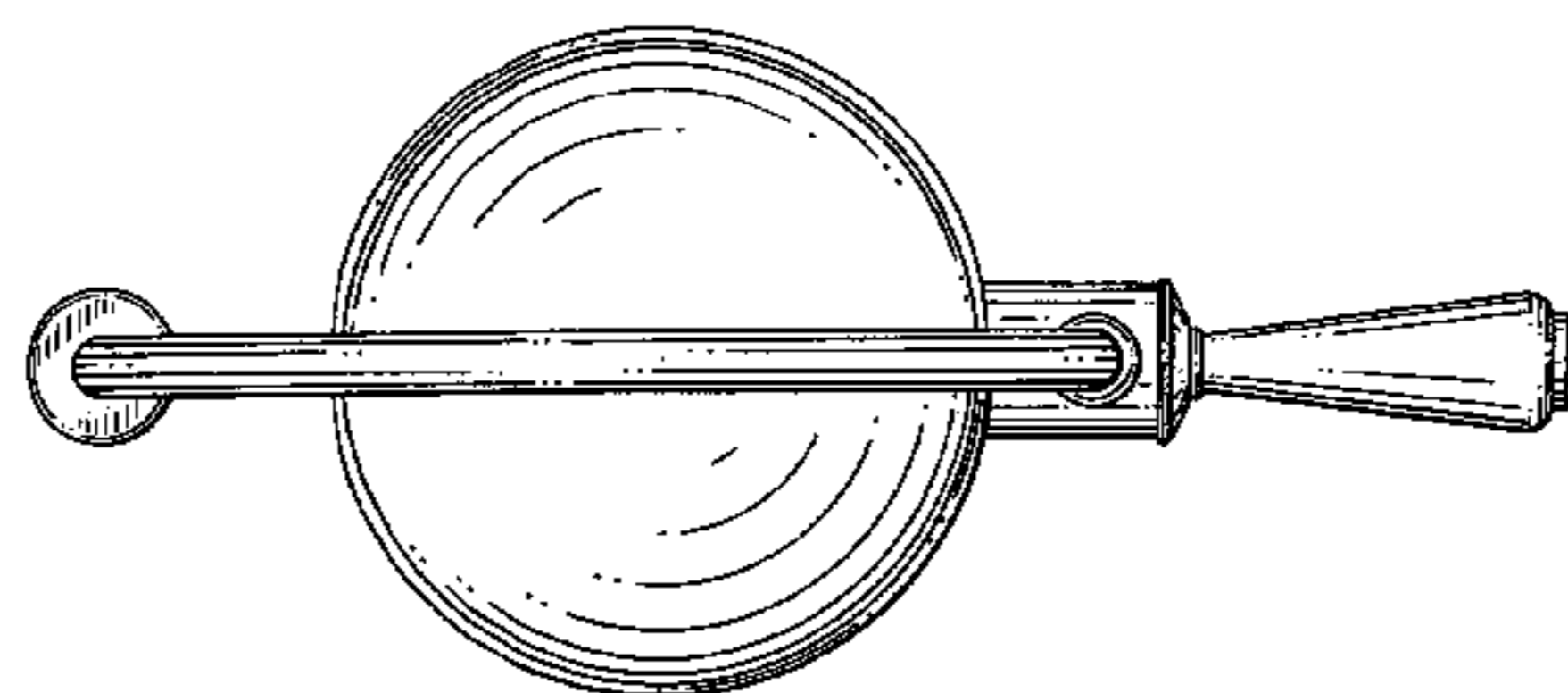
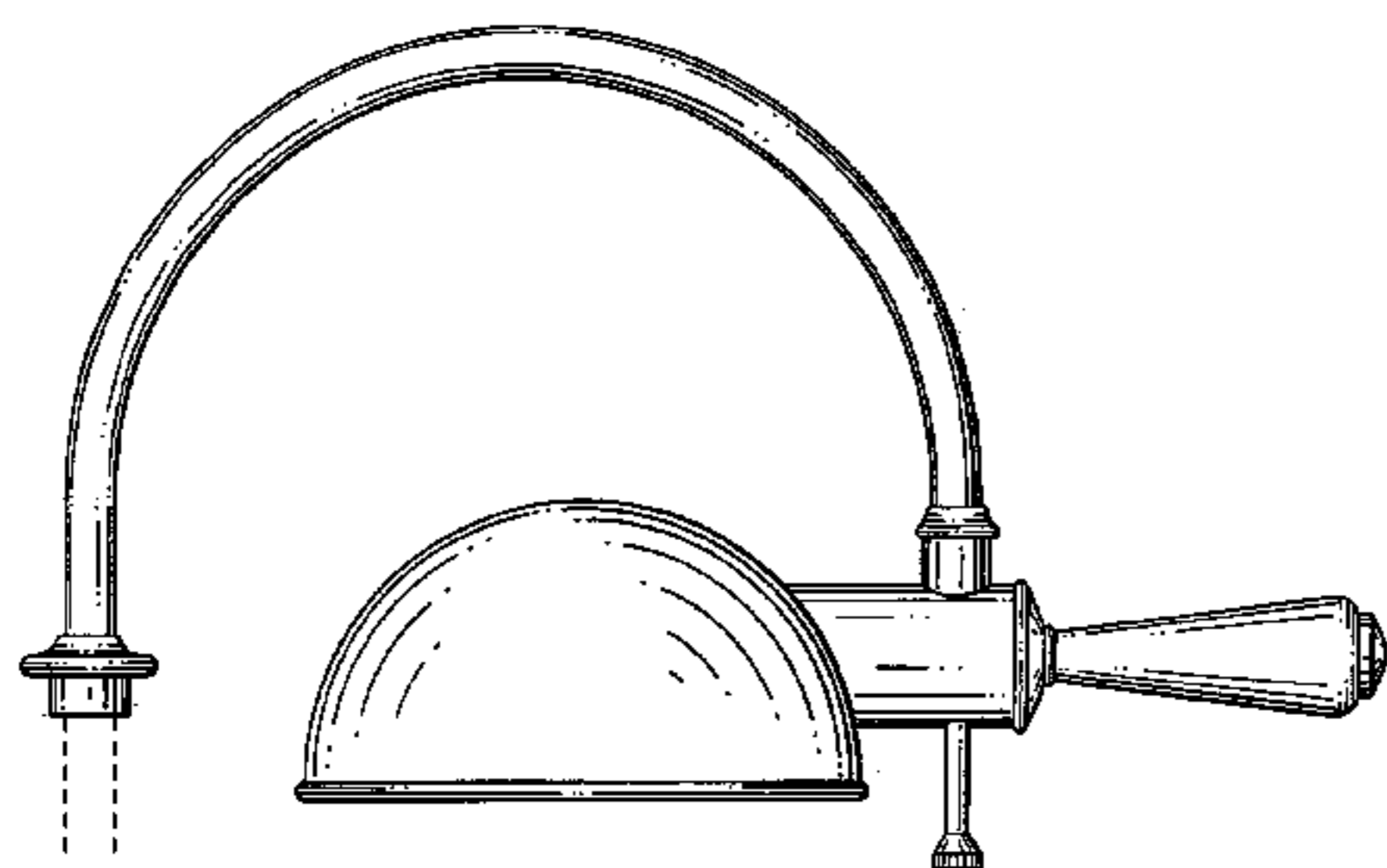
The ornamental design for a lamp, as shown and described.

DESCRIPTION

FIG. 1 is a side elevation view of my new design;
FIG. 2 is a top plan view thereof;
FIG. 3 is a front elevation view thereof;
FIG. 4 is a bottom plan view thereof; and,
FIG. 5 is a rear elevation view thereof.

The broken lines shown on the drawings are for illustrative purposes only and form no part of the claimed design.

1 Claim, 3 Drawing Sheets



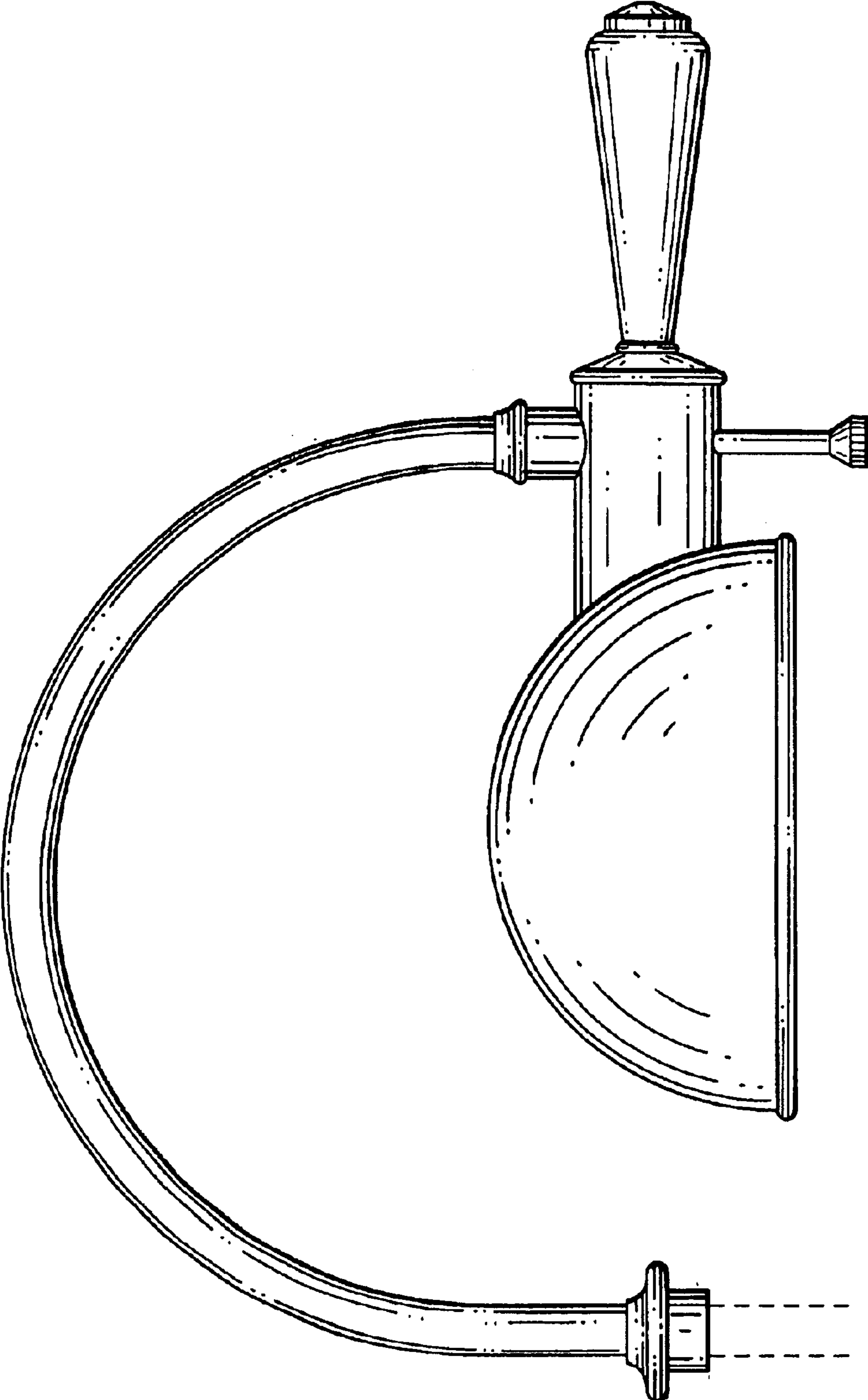


FIG. 1

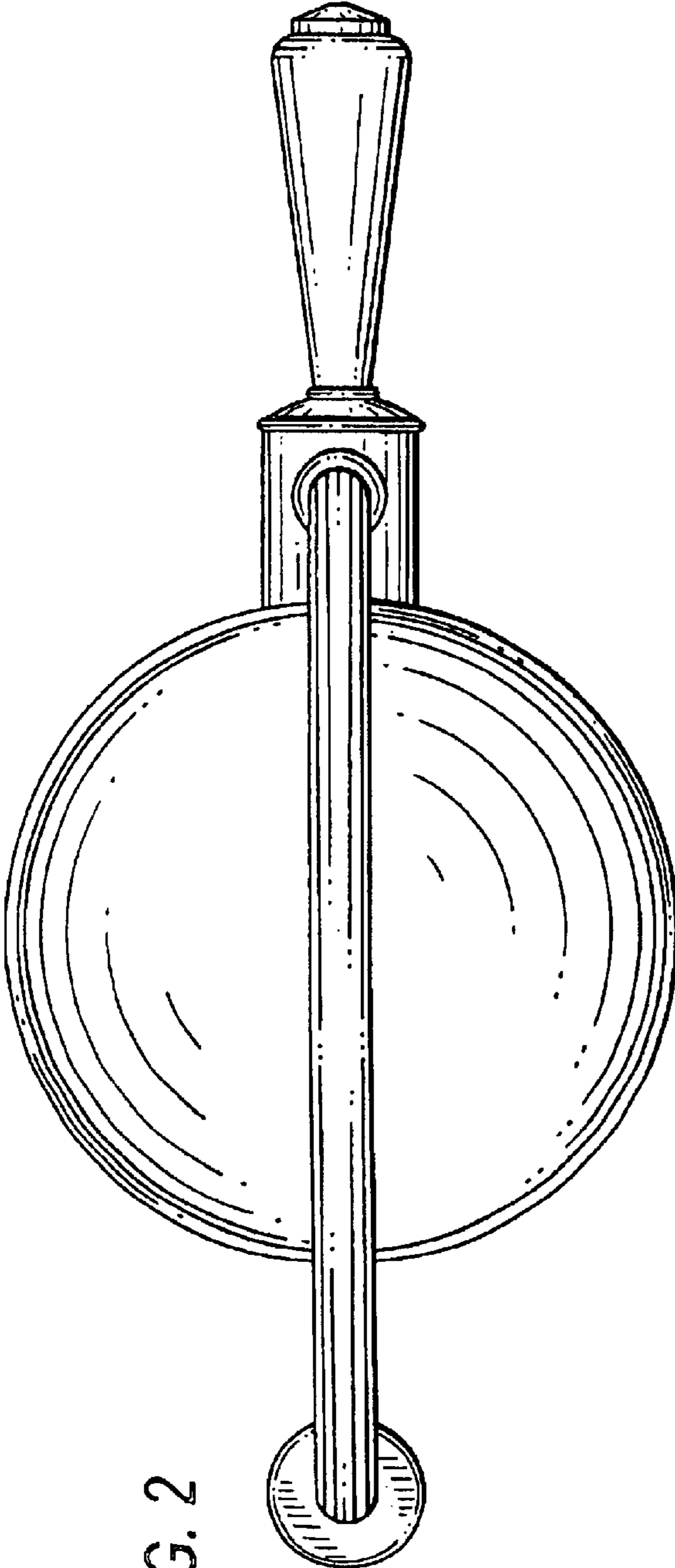


FIG. 2

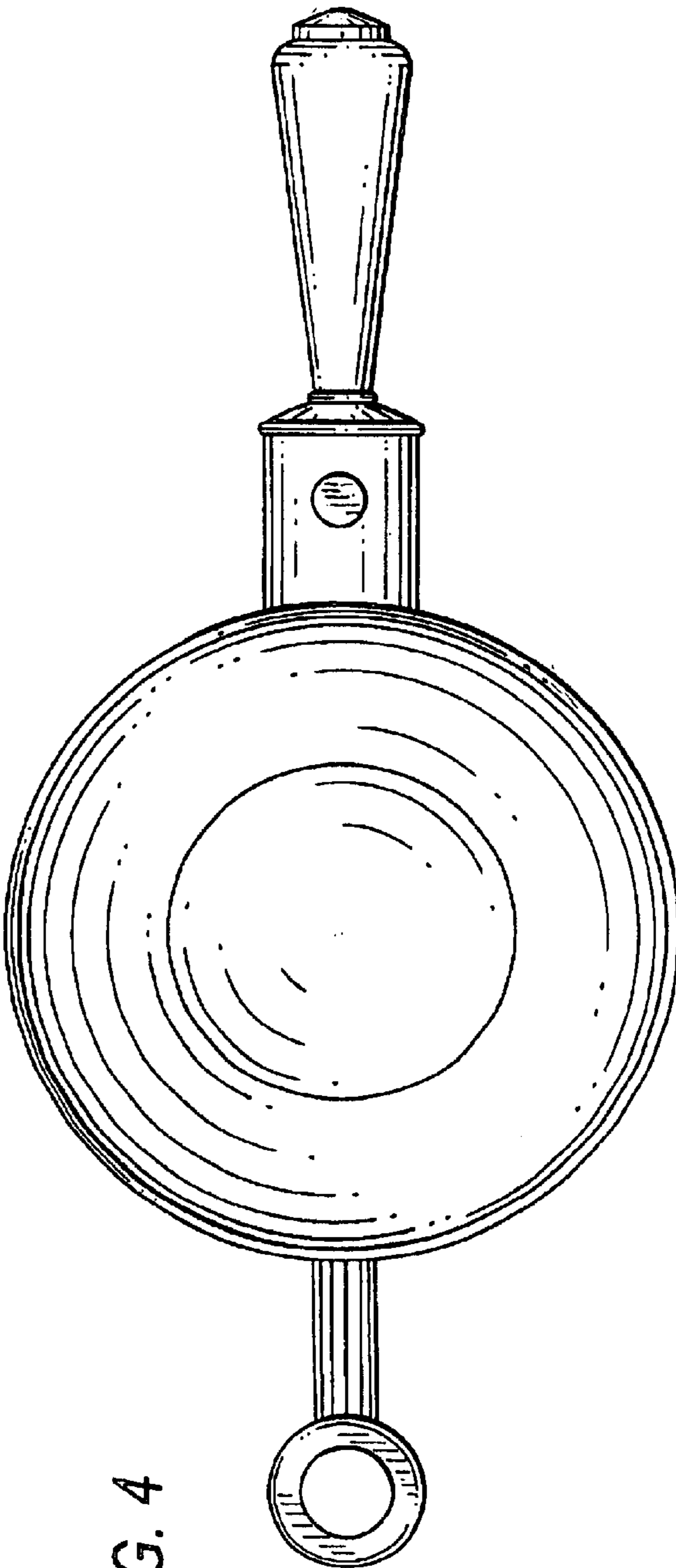


FIG. 4

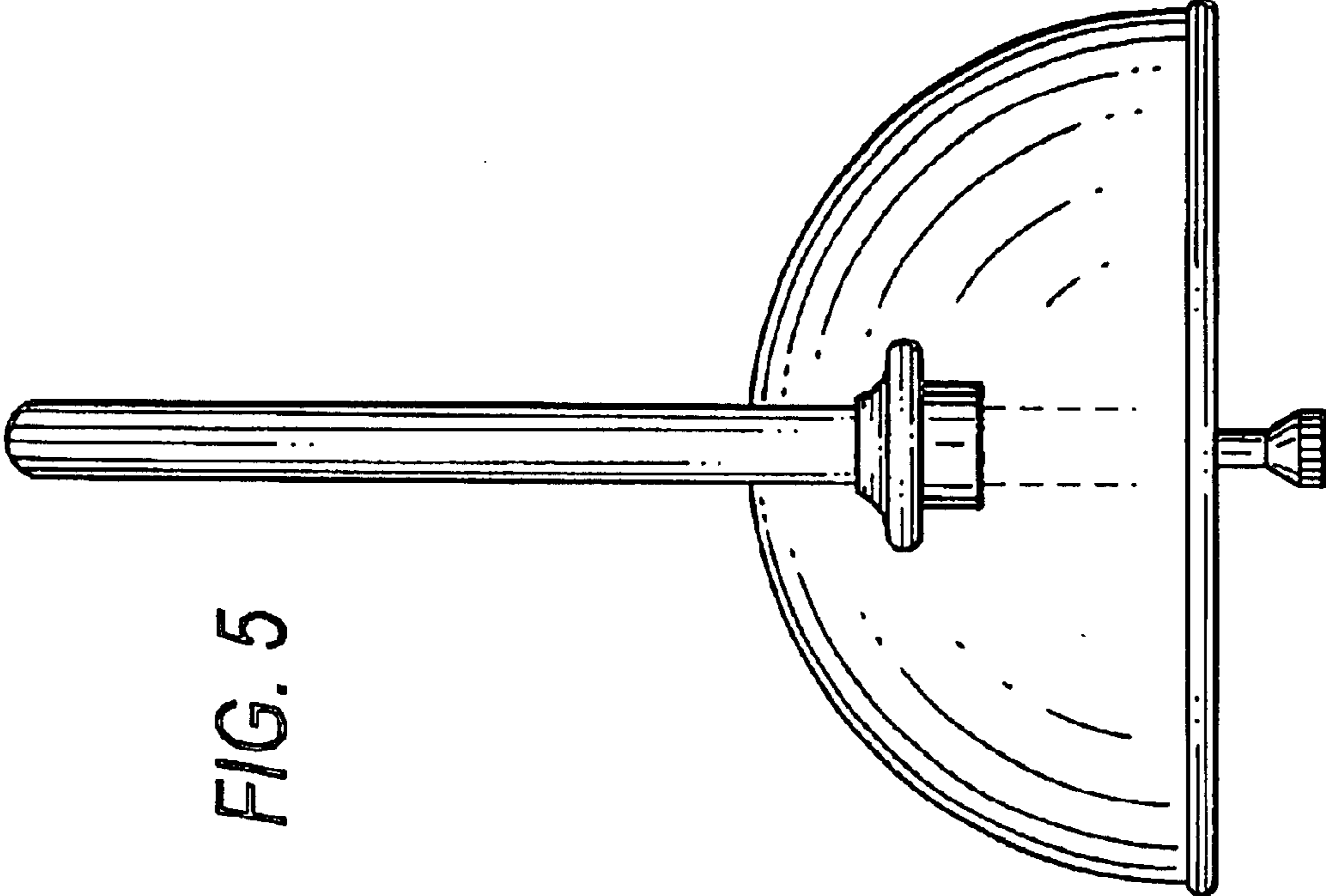


FIG. 5

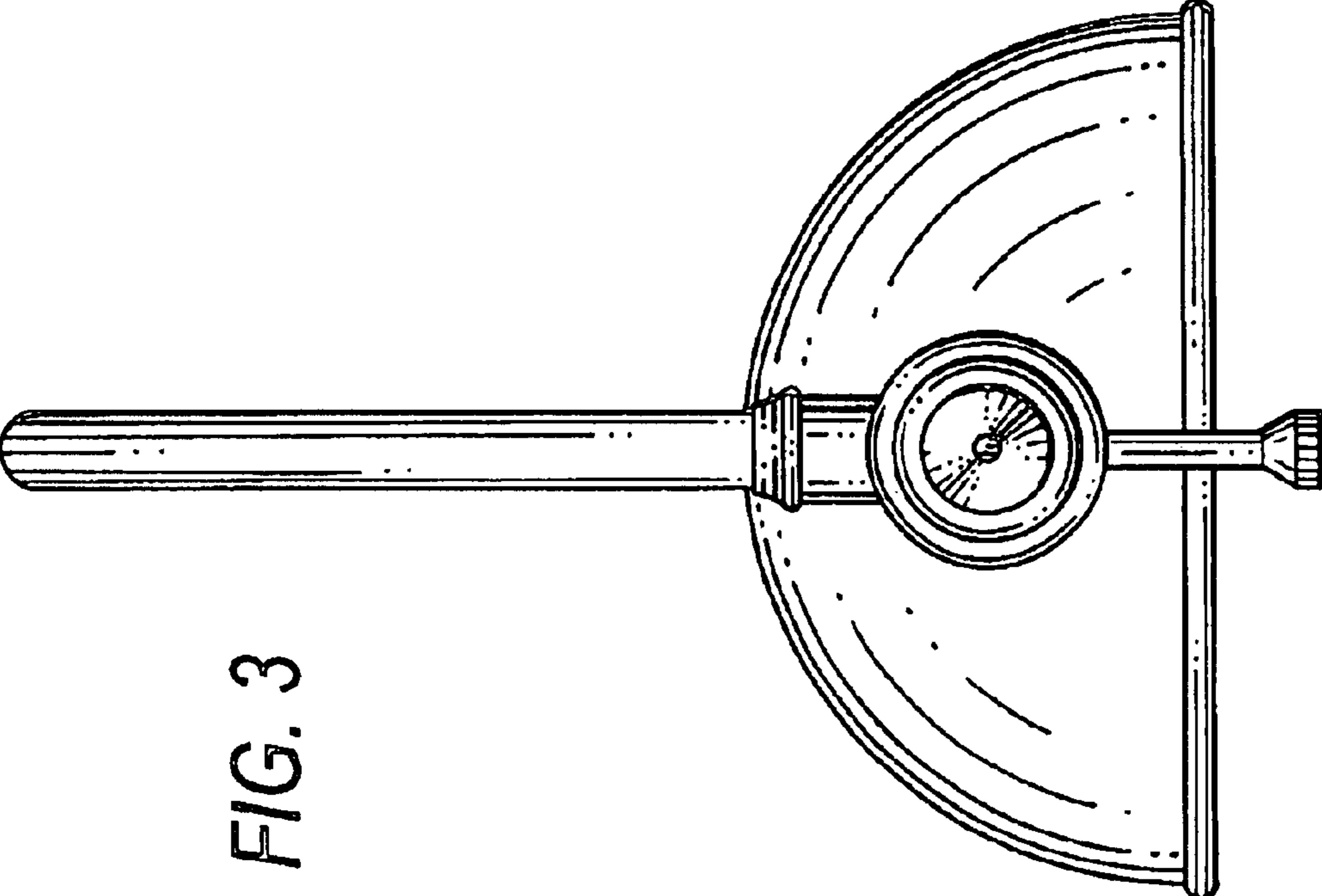


FIG. 3