

US00D500876S

(12) **United States Design Patent**
Bucher et al.

(10) **Patent No.: US D500,876 S**
(45) **Date of Patent: ** Jan. 11, 2005**

(54) **SOLAR-POWERED OUTDOOR LANTERN WITH STAKE MOUNT**

(75) Inventors: **Charles E. Bucher**, Valrico, FL (US);
John C. Bucher, Ft. Lauderdale, FL (US)

(73) Assignee: **King of Fans, Inc.**, Ft. Lauderdale, FL (US)

(**) Term: **14 Years**

(21) Appl. No.: **29/183,984**

(22) Filed: **Jun. 19, 2003**

(51) **LOC (7) Cl.** **26-05**

(52) **U.S. Cl.** **D26/67**

(58) **Field of Search** D26/24, 67-73,
D26/80, 82, 84-92, 128; 362/145, 147,
153, 153.1, 186, 257, 276, 312, 330, 351,
354, 358, 361-363, 431-433, 806

(56) **References Cited**

U.S. PATENT DOCUMENTS

| | | | | |
|----------------|---------|-------------------|-------|---------|
| D421,504 S | 3/2000 | Meck et al. | | D26/67 |
| D421,814 S | 3/2000 | Meck et al. | | D26/67 |
| D422,106 S | 3/2000 | Meck et al. | | D26/87 |
| D427,352 S | 6/2000 | Miranda | | D26/72 |
| 6,305,826 B1 * | 10/2001 | Yang | | 362/351 |
| D458,702 S * | 6/2002 | Ellis | | D26/68 |
| D468,470 S * | 1/2003 | Chen | | D26/67 |
| D469,907 S * | 2/2003 | Chen | | D26/67 |
| D475,797 S | 6/2003 | Cheong | | D26/37 |
| D478,684 S * | 8/2003 | DiPasquale et al. | | D26/72 |

OTHER PUBLICATIONS

Design House Lighting Catalog; p. 116; item 6096VG/6099BZ.*

Rockscapes, Inc. Landscape Illumination Catalog; p. 25; item H91-7-AZMW.*

Intermatic Incorporated, Intermatic website. Copyright 2000; Malibu lighting, 10 pages, Jun. 13, 2003.

Intermatic Home Page, Intermatic website. Copyright 2003; Malibu lighting, 34 pages, Jun. 13, 2003.

* cited by examiner

Primary Examiner—Clare E Heflin

(74) *Attorney, Agent, or Firm*—Brian S. Steinberger; Law Offices of Brian S. Steinberger, P.A.

(57) **CLAIM**

The ornamental design of a solar-powered outdoor lantern with stake mount, as shown and described.

DESCRIPTION

FIG. 1 is a perspective view of a solar-powered outdoor lantern with stake mount showing our new design.

FIG. 2 is a front view of the solar-powered outdoor lantern with stake mount, and the stake is shown broken away for illustrative purposes.

FIG. 3 is a top view of the solar-powered outdoor lantern with stake mount; and,

FIG. 4 is a bottom view of the housing portion of the solar-powered outdoor lantern with stake mount, shown separately for illustrative purposes.

1 Claim, 4 Drawing Sheets

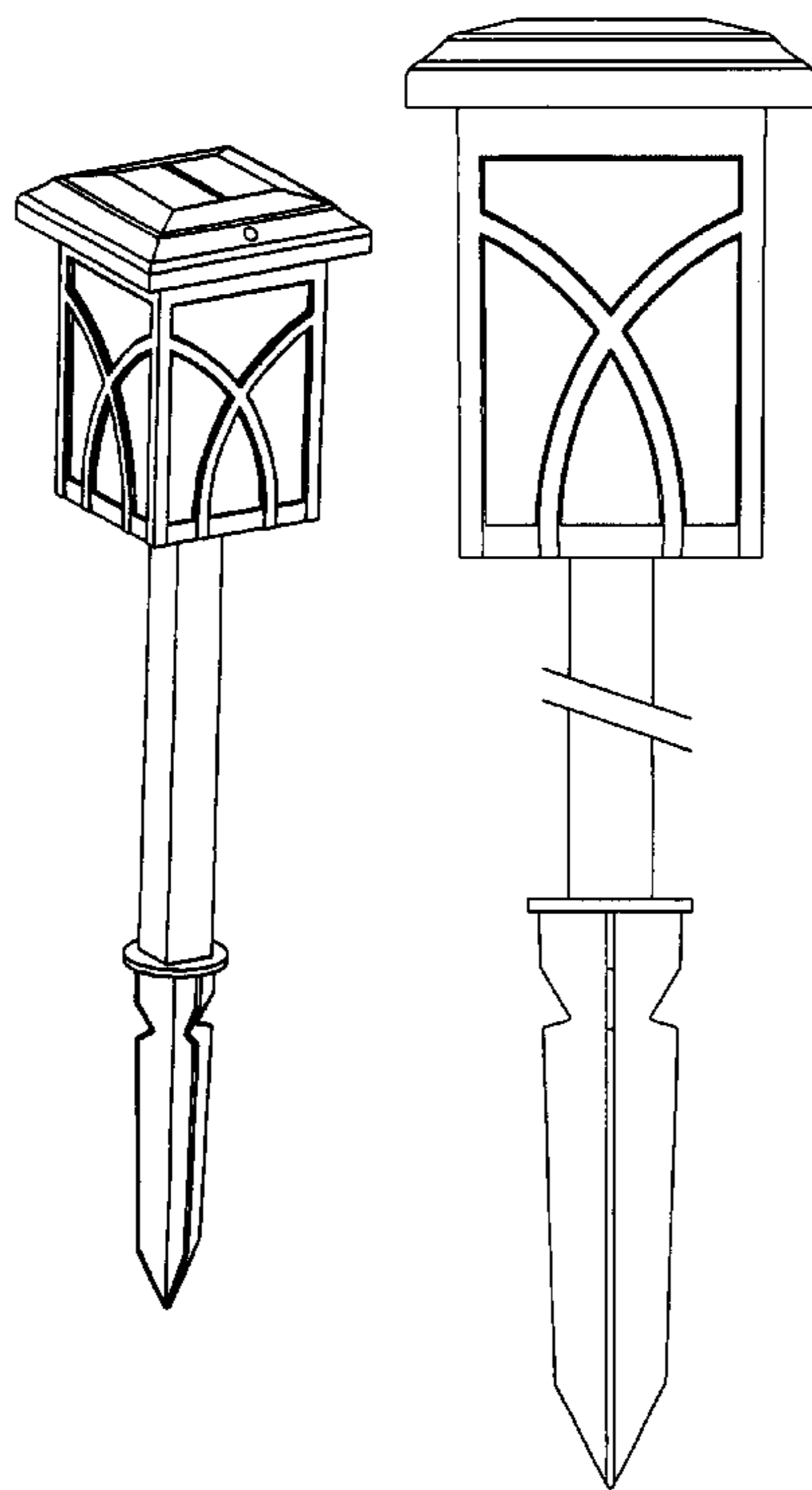


Fig. 1

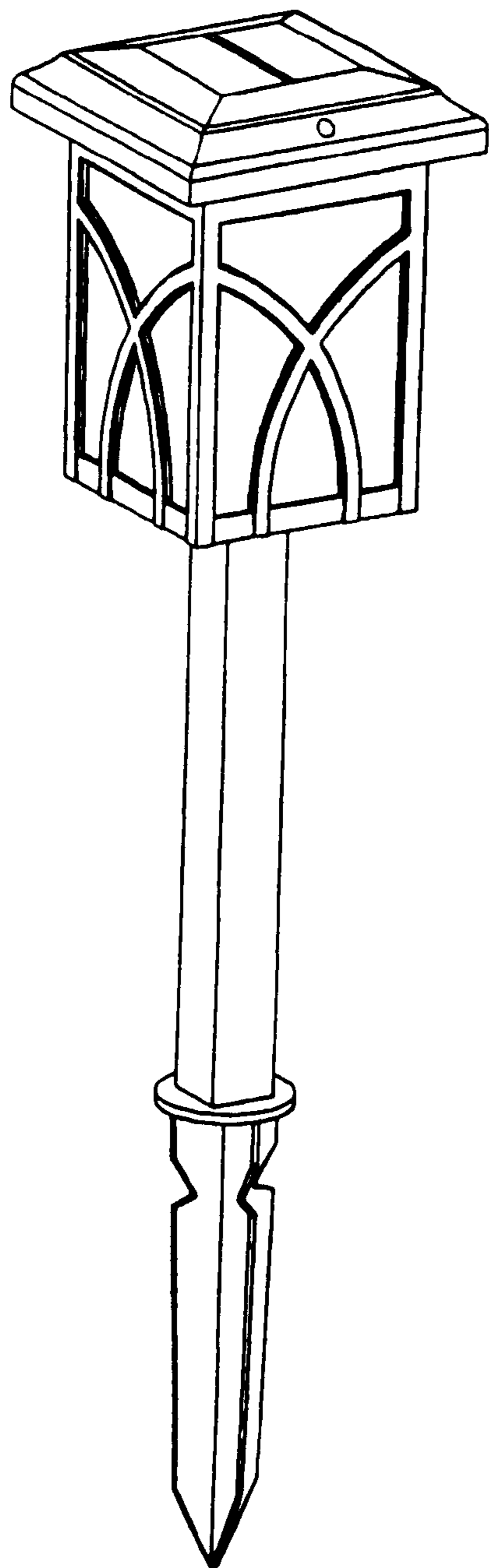


Fig.2

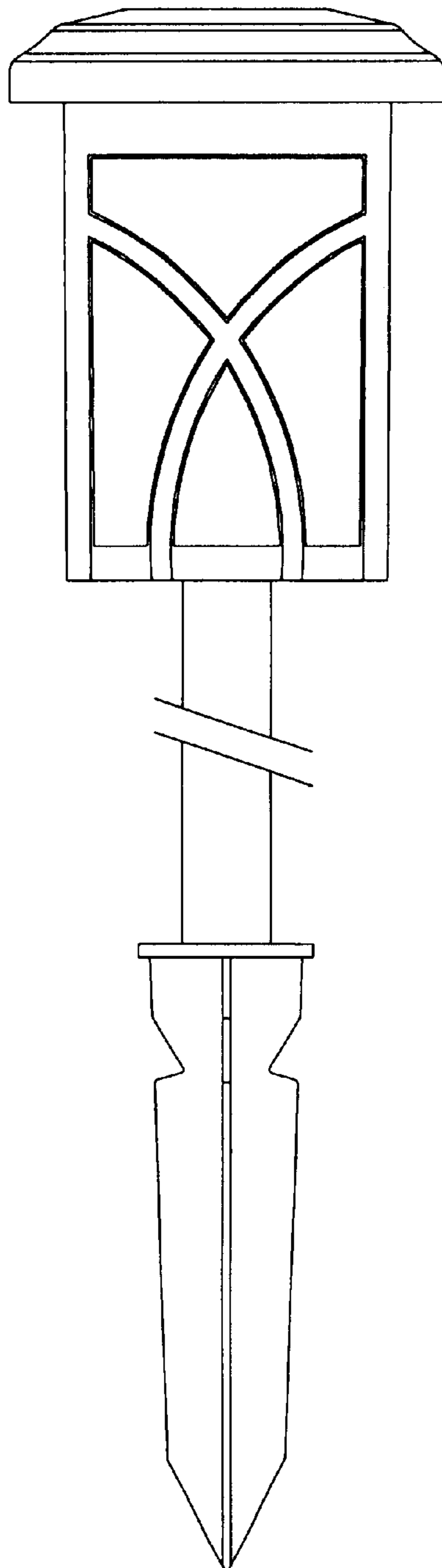


Fig.3

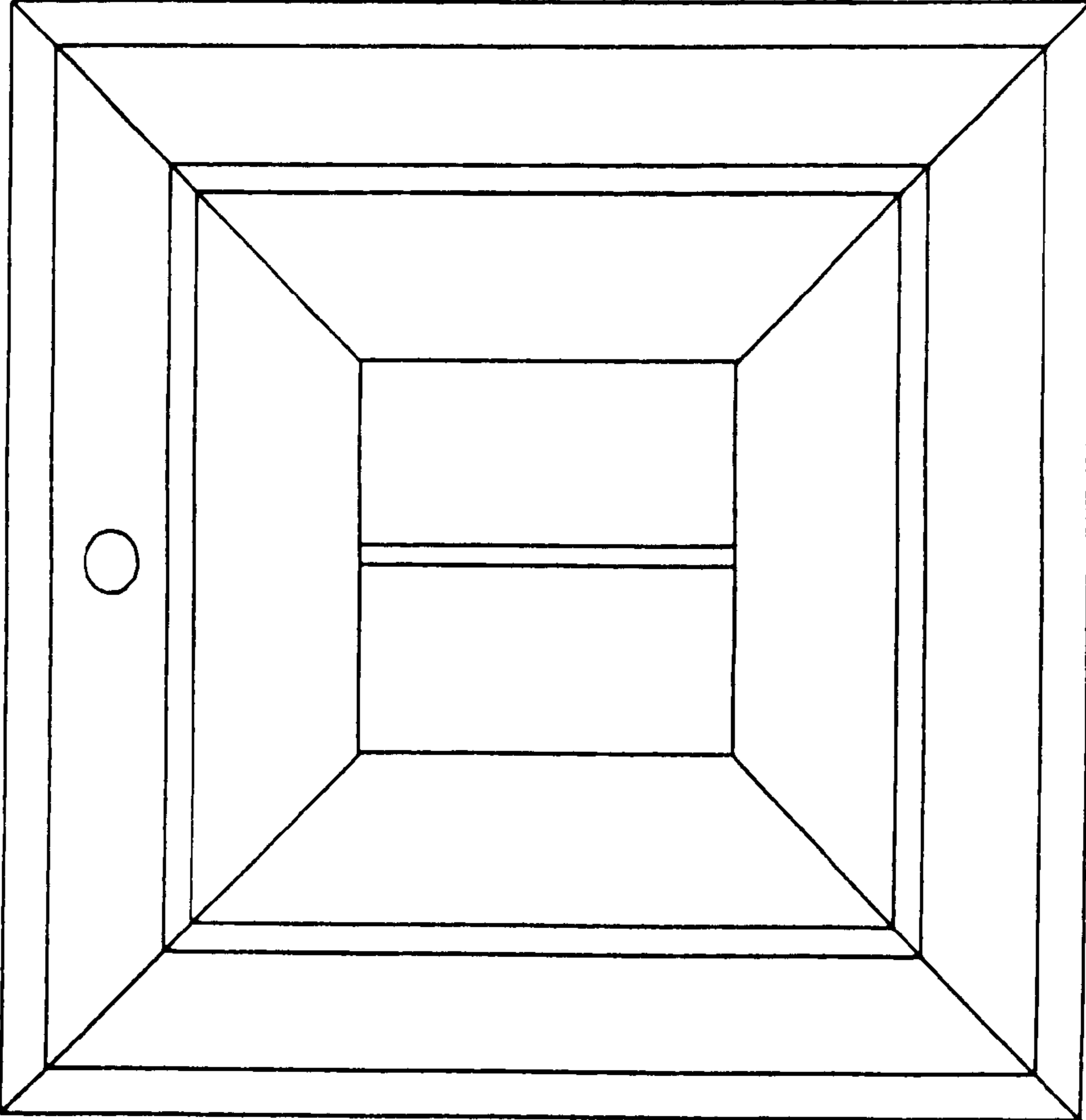


FIG. 4

