

US00D500873S

(12) **United States Design Patent**
Kamimura et al.

(10) **Patent No.: US D500,873 S**
(45) **Date of Patent: ** Jan. 11, 2005**

(54) **REAR COMBINATION LAMP FOR AN AUTOMOBILE**

(75) Inventors: **Tadahiro Kamimura**, Saitama (JP);
Hajime Maniwa, Saitama (JP)

(73) Assignee: **Honda Motor Co., Ltd.**, Tokyo (JP)

(**) Term: **14 Years**

(21) Appl. No.: **29/201,692**

(22) Filed: **Mar. 19, 2004**

(30) **Foreign Application Priority Data**

Sep. 22, 2003 (JP) 2003-027685

(51) **LOC (7) Cl.** **26-06**

(52) **U.S. Cl.** **D26/28**

(58) **Field of Search** D26/28-36; 362/457-468,
362/475-478, 485-487

(56) **References Cited**

U.S. PATENT DOCUMENTS

D470,258 S * 2/2003 Horowitz D26/28
D477,429 S * 7/2003 Lin D26/28
D490,916 S * 6/2004 Pien D26/28

FOREIGN PATENT DOCUMENTS

JP 810429 7/1997
JP 1053248 11/1999

OTHER PUBLICATIONS

Notification of Refusal Reasons from Japanese Patent Office in Design Appln. No. 2003-027685 dated Feb. 27, 2004 with translation.

Design of Rear lamp for an automobile shown at p. 18 of "Primer" (Prior Material No. HC08029504, Design Department of Japan) Sep. 2, 1996.

* cited by examiner

Primary Examiner—Marcus A. Jackson

(74) *Attorney, Agent, or Firm*—Westerman, Hattori, Daniels & Adrian, LLP

(57) **CLAIM**

The ornamental design for, rear combination lamp for an automobile, as shown and described.

DESCRIPTION

FIG. 1 is a front elevation view of rear combination lamp for an automobile, showing our new design; FIG. 2 is a rear elevation view thereof; FIG. 3 is a top plan view thereof; FIG. 4 is a bottom plan view thereof; FIG. 5 is a right side elevation view thereof; FIG. 6 is a left side elevation view thereof; FIG. 7 is a perspective view thereof; and, FIG. 8 is another perspective view thereof.

1 Claim, 4 Drawing Sheets

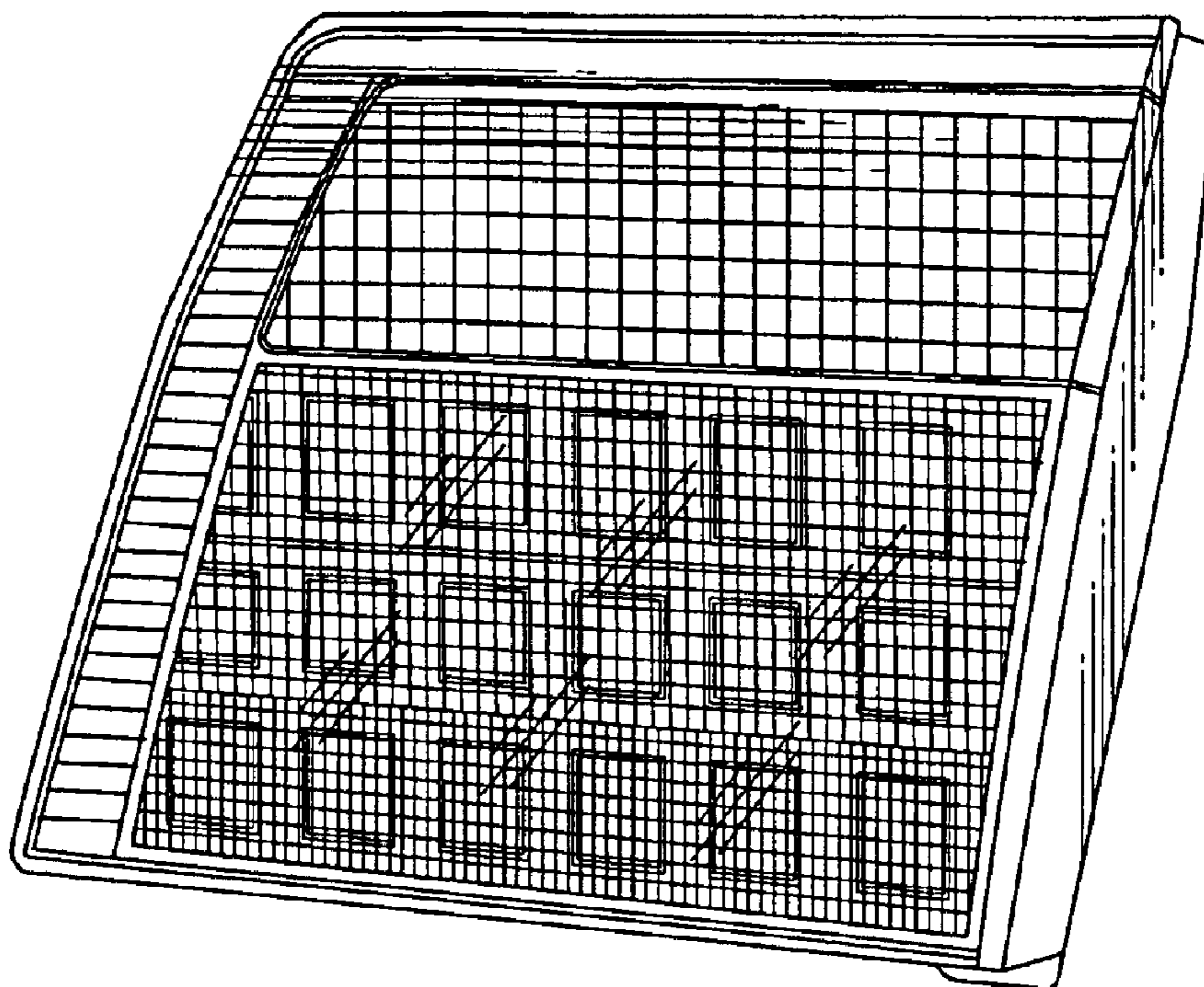


Fig. 1

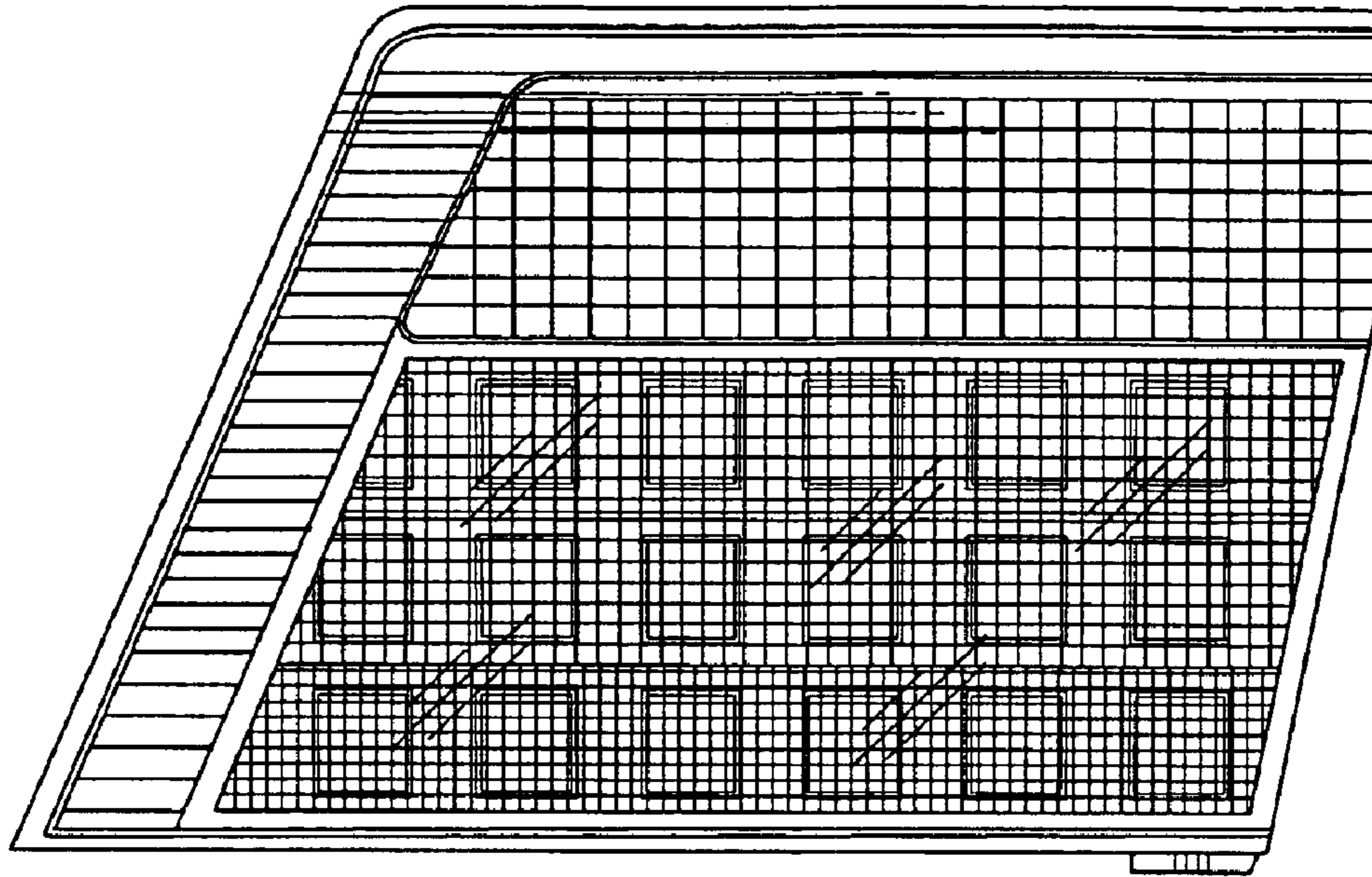


Fig. 2

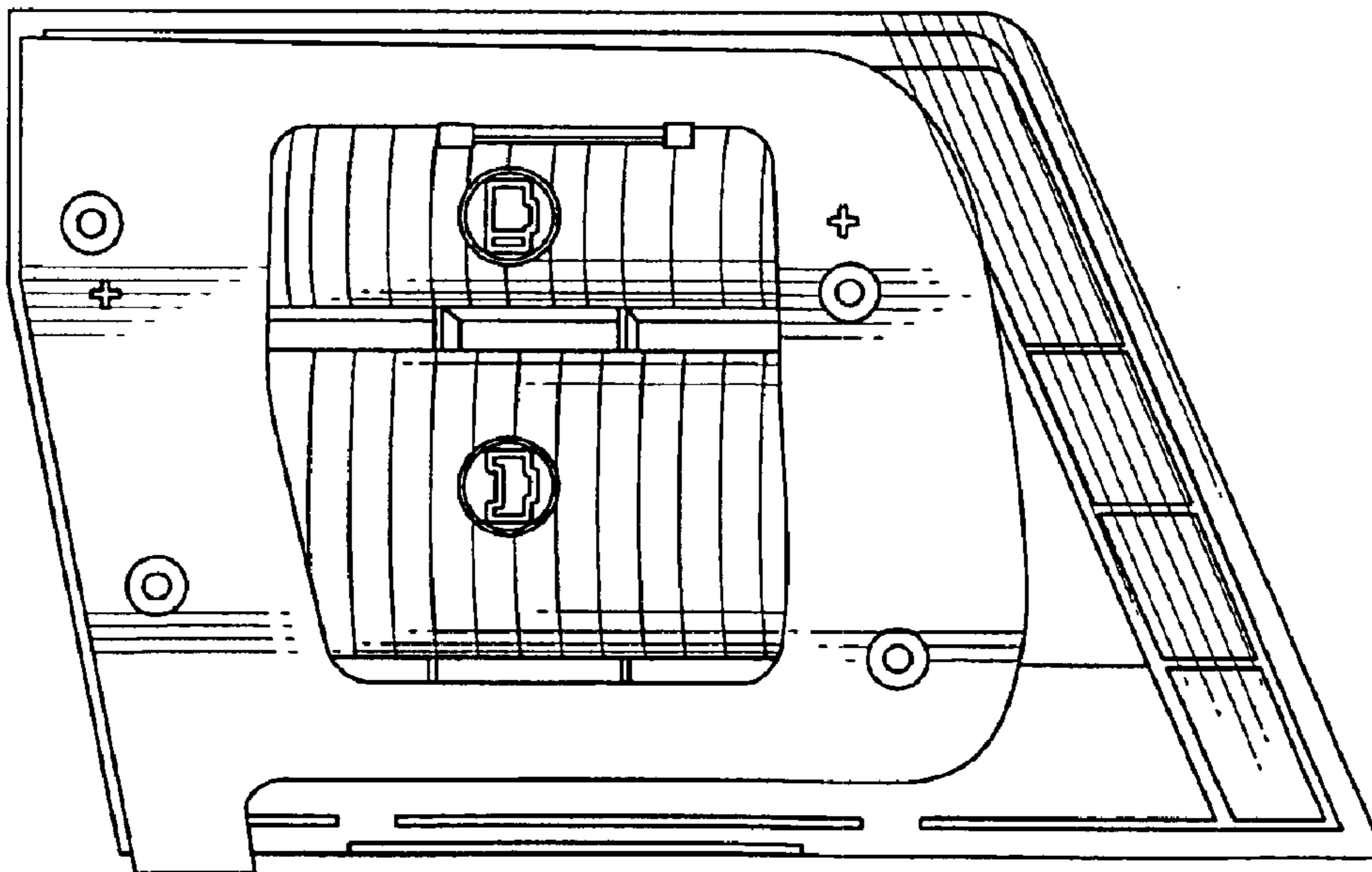


Fig.3

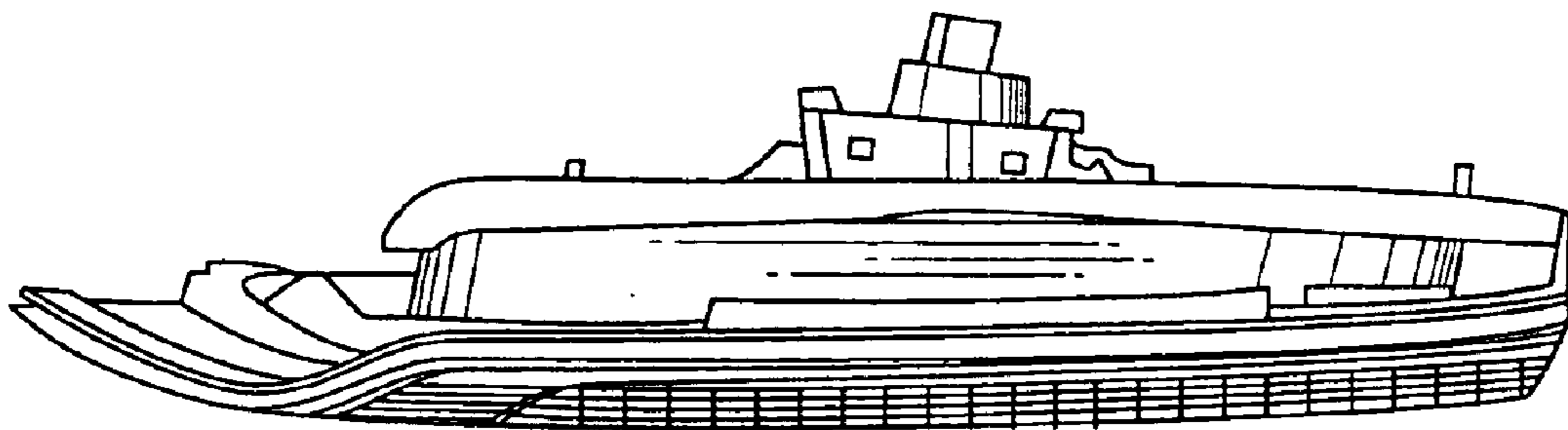


Fig.4

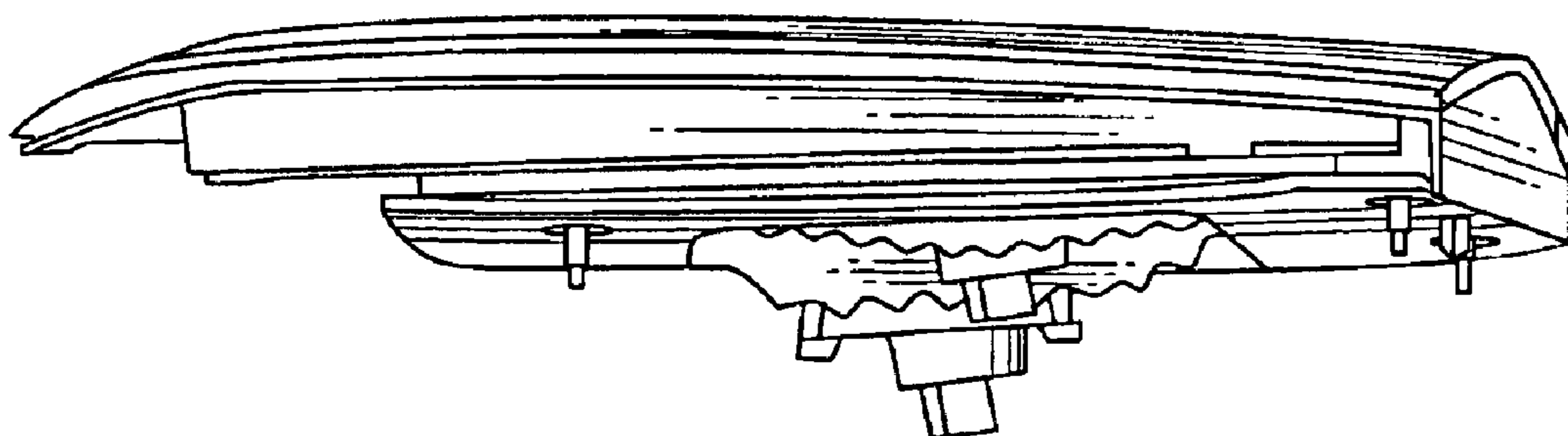


Fig.5

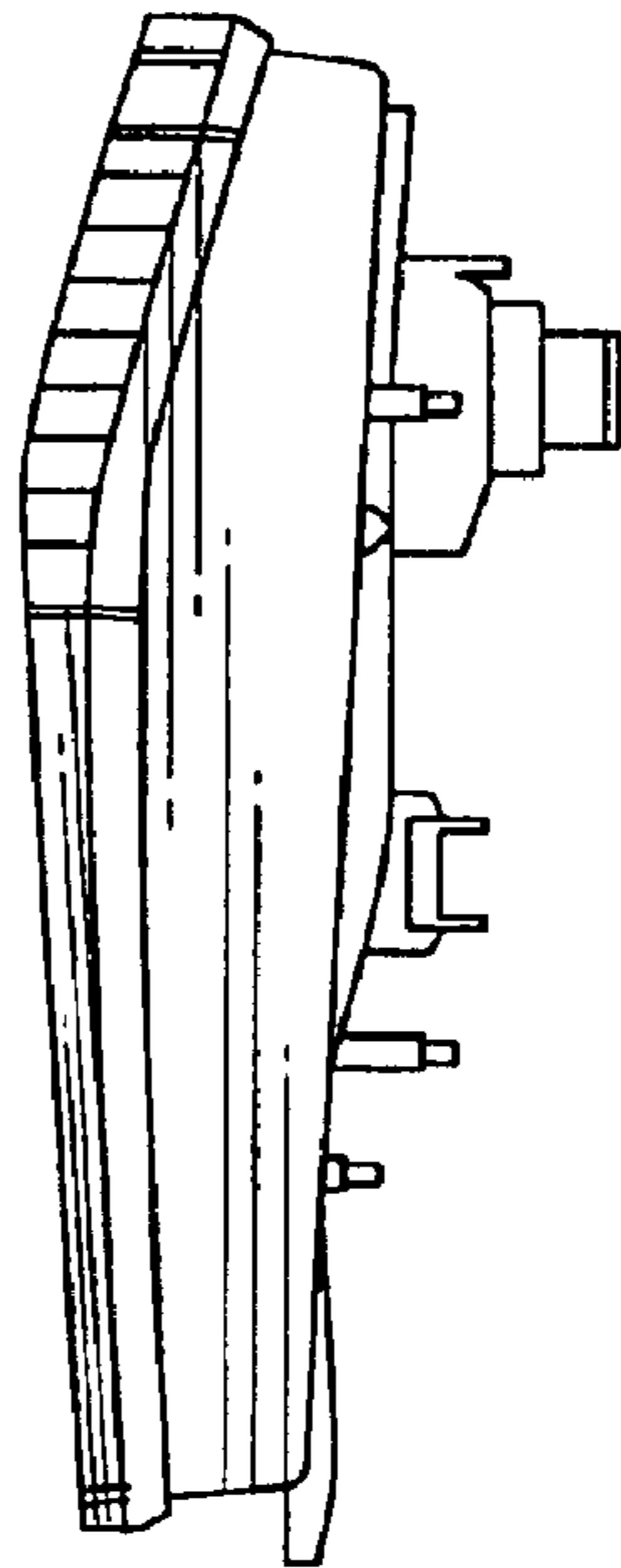


Fig.6

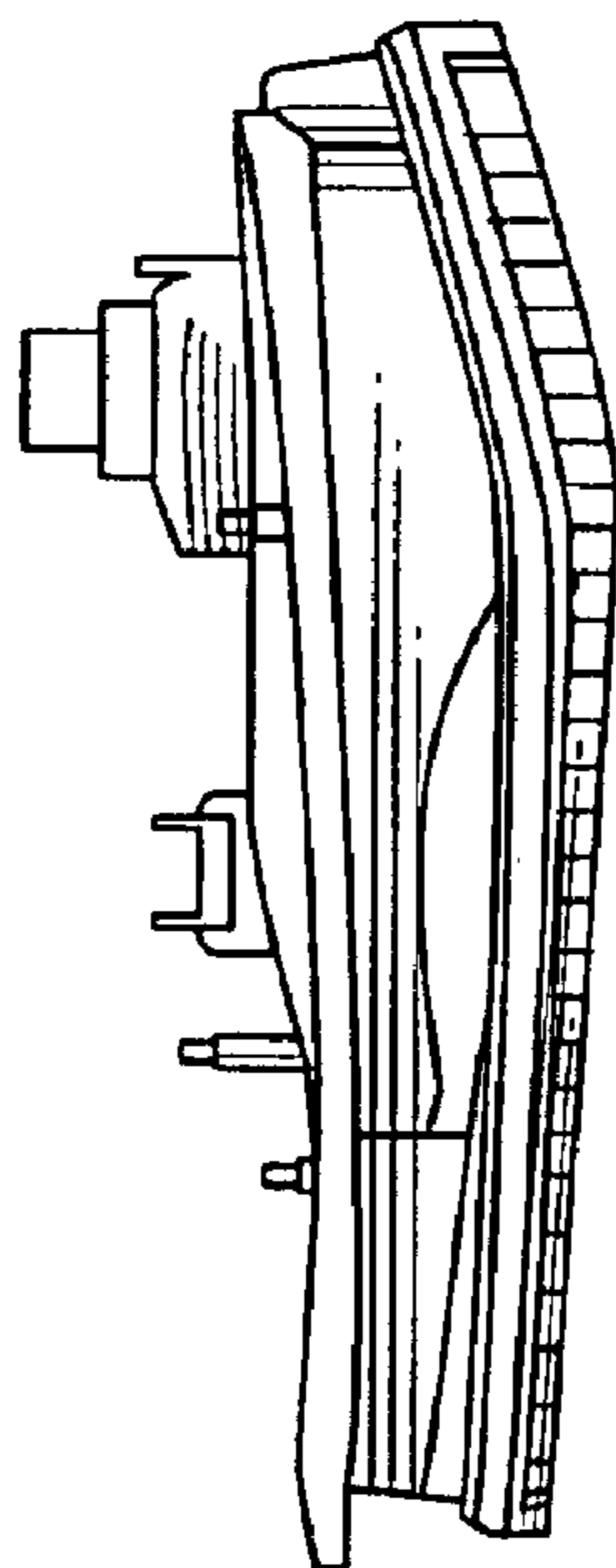


Fig. 7

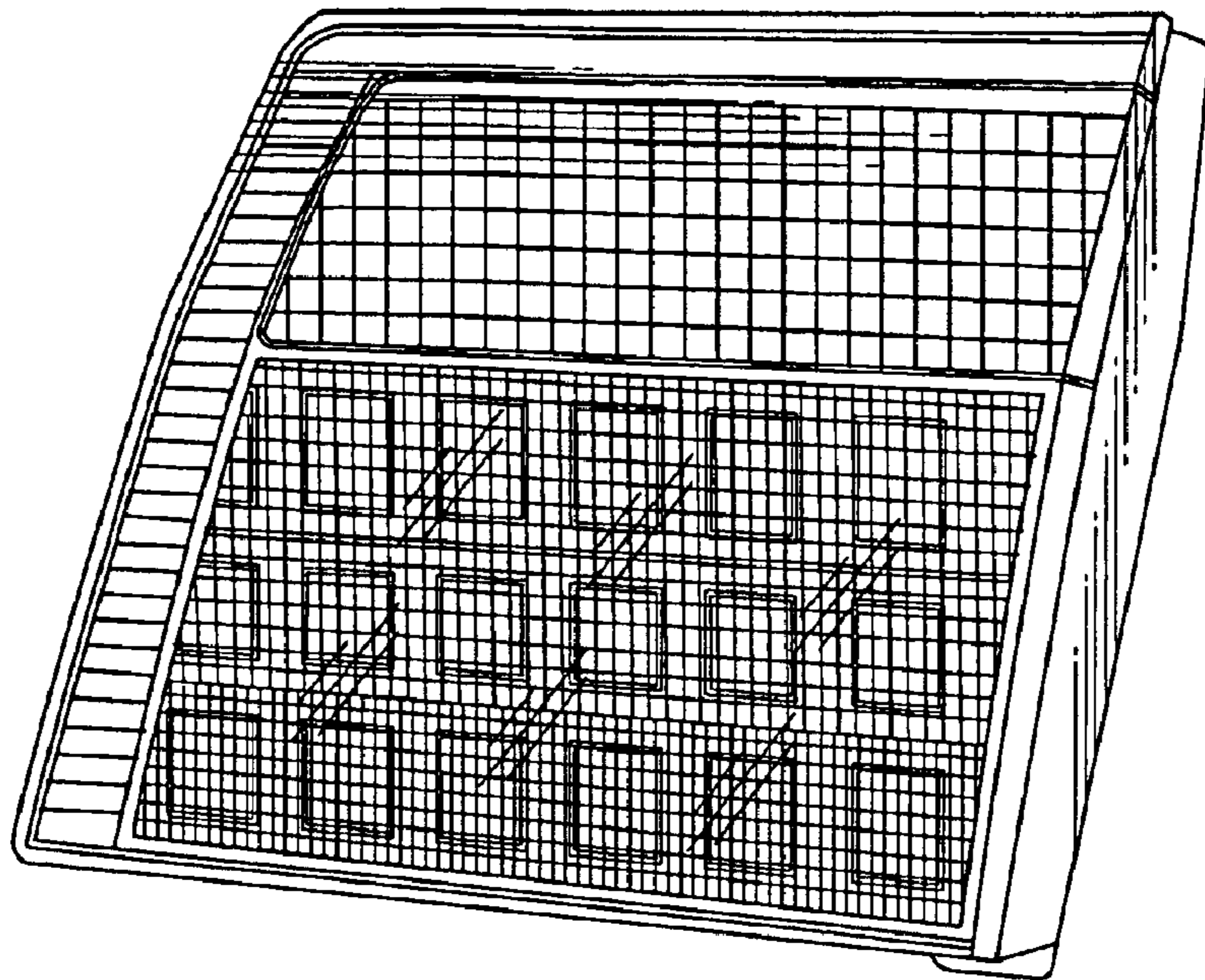


Fig. 8

