

US00D500870S

(12) **United States Design Patent**
Link

(10) **Patent No.:** **US D500,870 S**
(45) **Date of Patent:** **** Jan. 11, 2005**

(54) **GARAGE DOOR PANEL**

DESCRIPTION

(76) Inventor: **Timothy J. Link**, 321 Mojave West,
Lake Quivira, KS (US) 66217

(**) Term: **14 Years**

(21) Appl. No.: **29/176,160**

(22) Filed: **Feb. 19, 2003**

(51) **LOC (7) Cl.** **25-01**

(52) **U.S. Cl.** **D25/138**

(58) **Field of Search** D25/48, 138, 49;
52/474, 474.1, 630; 160/98, 113, 115, 87,
130, 238

(56) **References Cited**

U.S. PATENT DOCUMENTS

3,533,190 A * 10/1970 Johnson et al. 49/501
D475,146 S * 5/2003 Mullet D25/138

* cited by examiner

Primary Examiner—Doris Clark

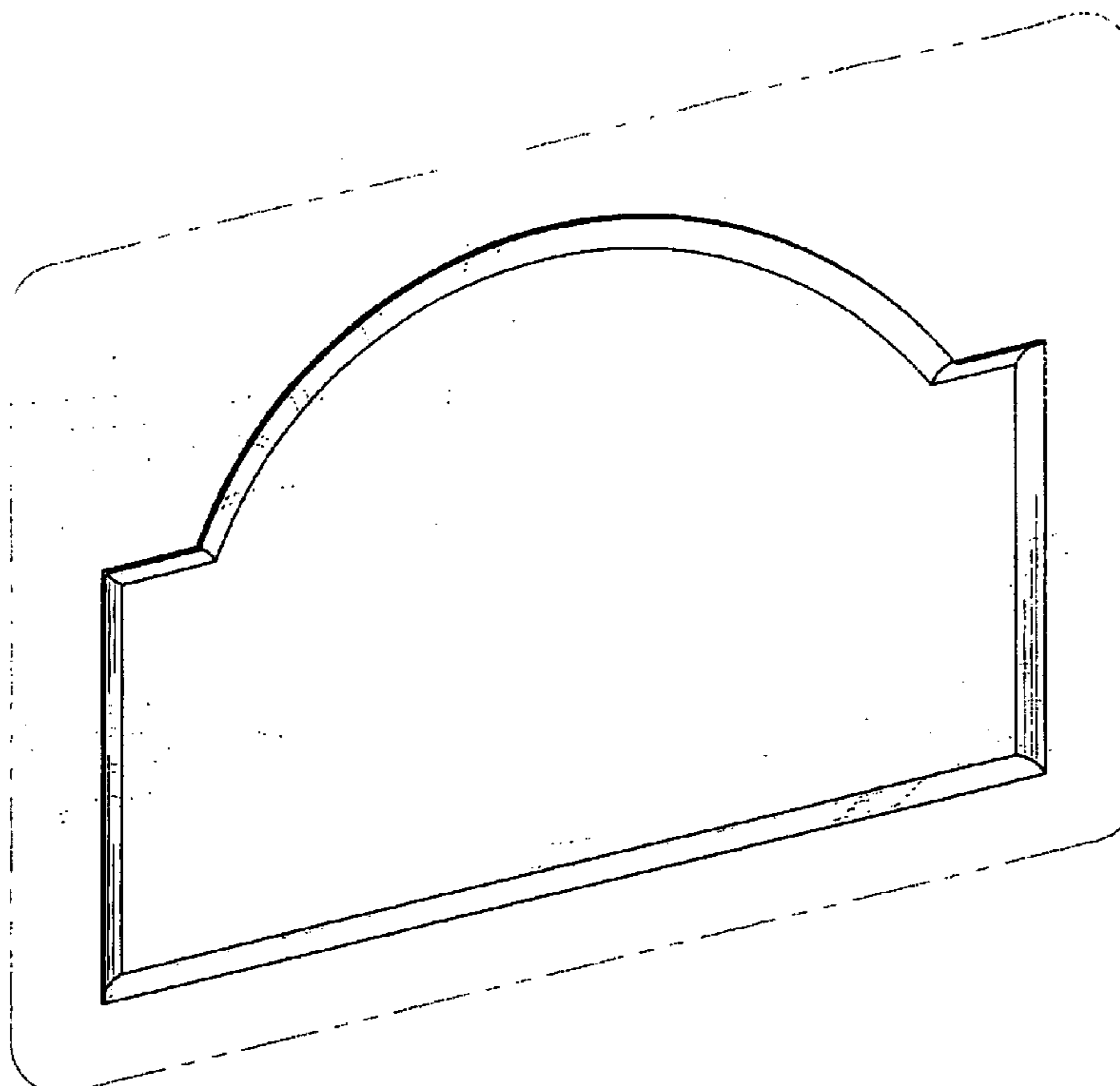
(74) *Attorney, Agent, or Firm*—Lathrop & Gaga LC

(57) **CLAIM**

The ornamental design for a garage door panel, as shown
and described.

FIG. 1 is a perspective view of one embodiment of a garage door panel, showing the new design;
FIG. 2 is a front elevational view of the garage door panel of FIG. 1;
FIG. 3 is a top plan view of the garage door panel of FIG. 1;
FIG. 4 is a right side elevational view of the garage door panel of FIG. 1, the left side elevational view being a mirror image thereof;
FIG. 5 is a bottom plan view of the garage door panel of FIG. 1;
FIG. 6 is a perspective view of the garage door panel of FIG. 1 as located in a garage door;
FIG. 7 is a perspective view of a second embodiment of a garage door panel, showing the new design;
FIG. 8 is a front elevational view of the garage door panel of FIG. 7;
FIG. 9 is a top plan view of the garage door panel of FIG. 7;
FIG. 10 is a bottom plan view of the garage door panel of FIG. 7;
FIG. 11 is a right side elevational view of the garage door panel of FIG. 7, the left side elevational view being a mirror image thereof;
FIG. 12 is a cross-sectional view of the garage door panel of FIG. 7 taken along line 12—12; and,
FIG. 13 is a perspective view of the garage door panel of FIG. 7 as located in a garage door.
The broken line showing the remainder of the garage door panel is for illustrative purposes only and forms no part of the claimed design.

1 Claim, 6 Drawing Sheets



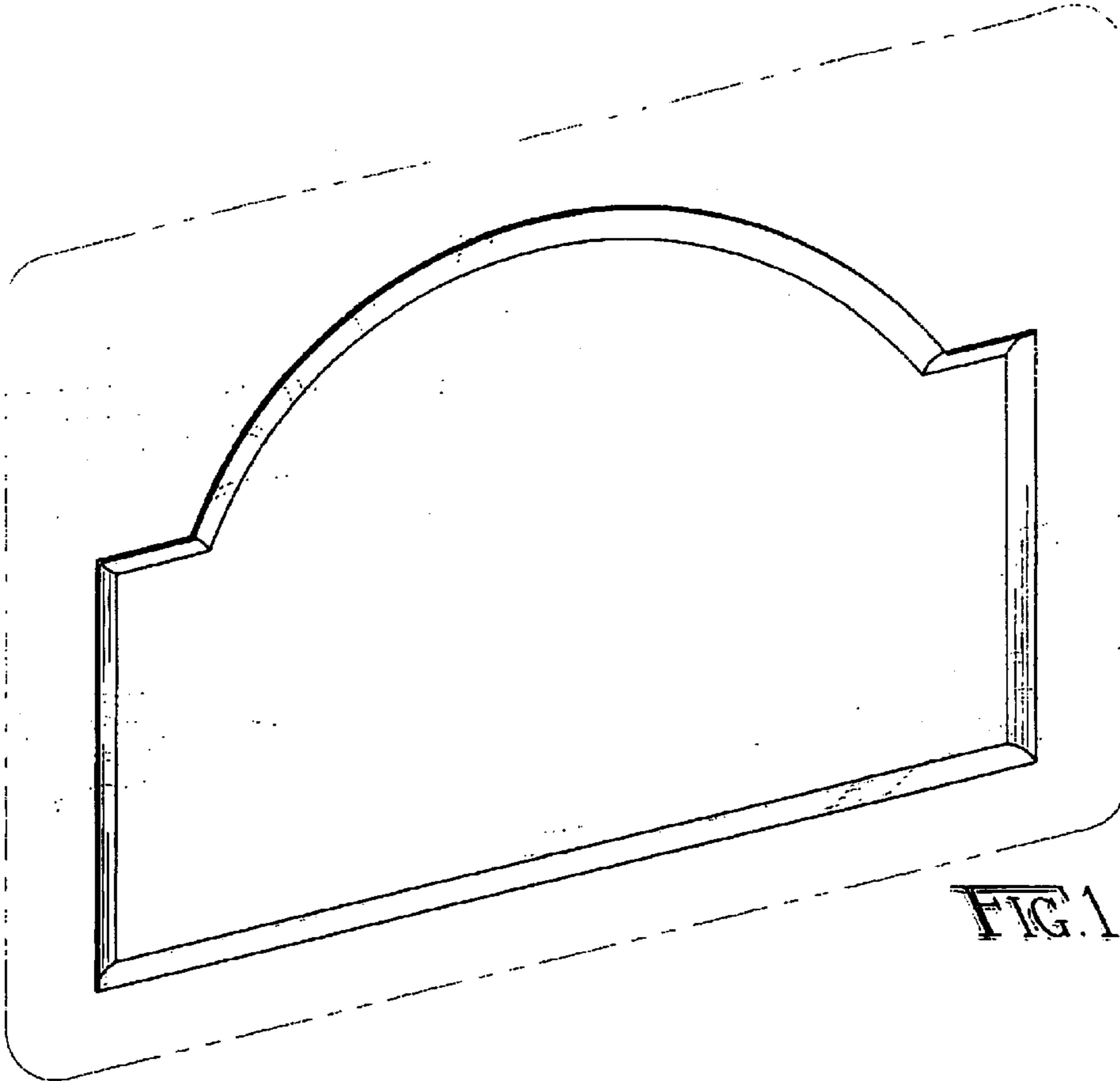


FIG. 1

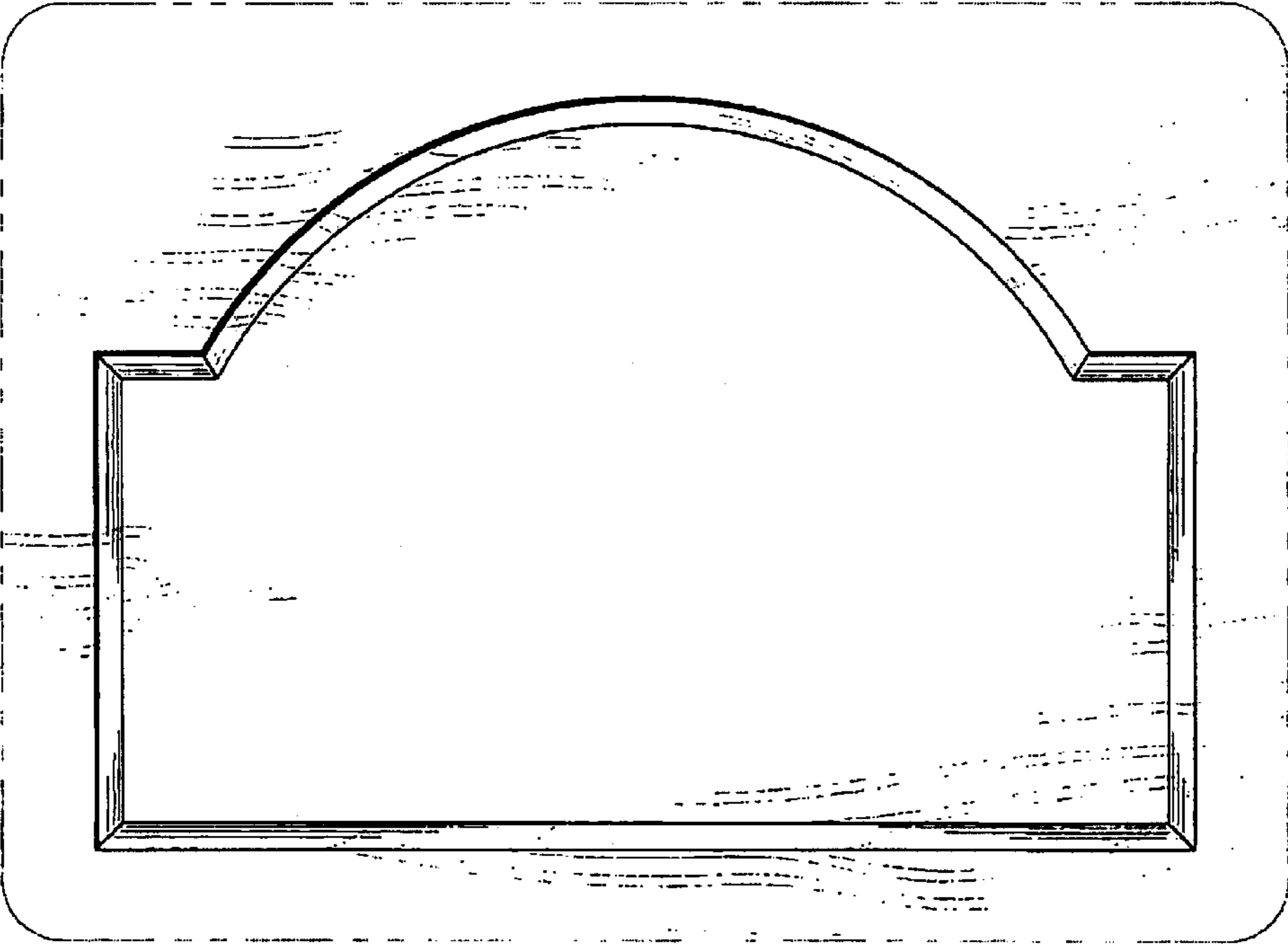


FIG. 2

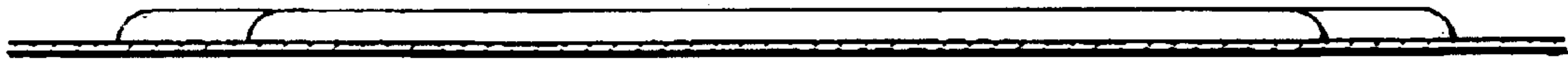


FIG. 3



FIG. 4



FIG. 5

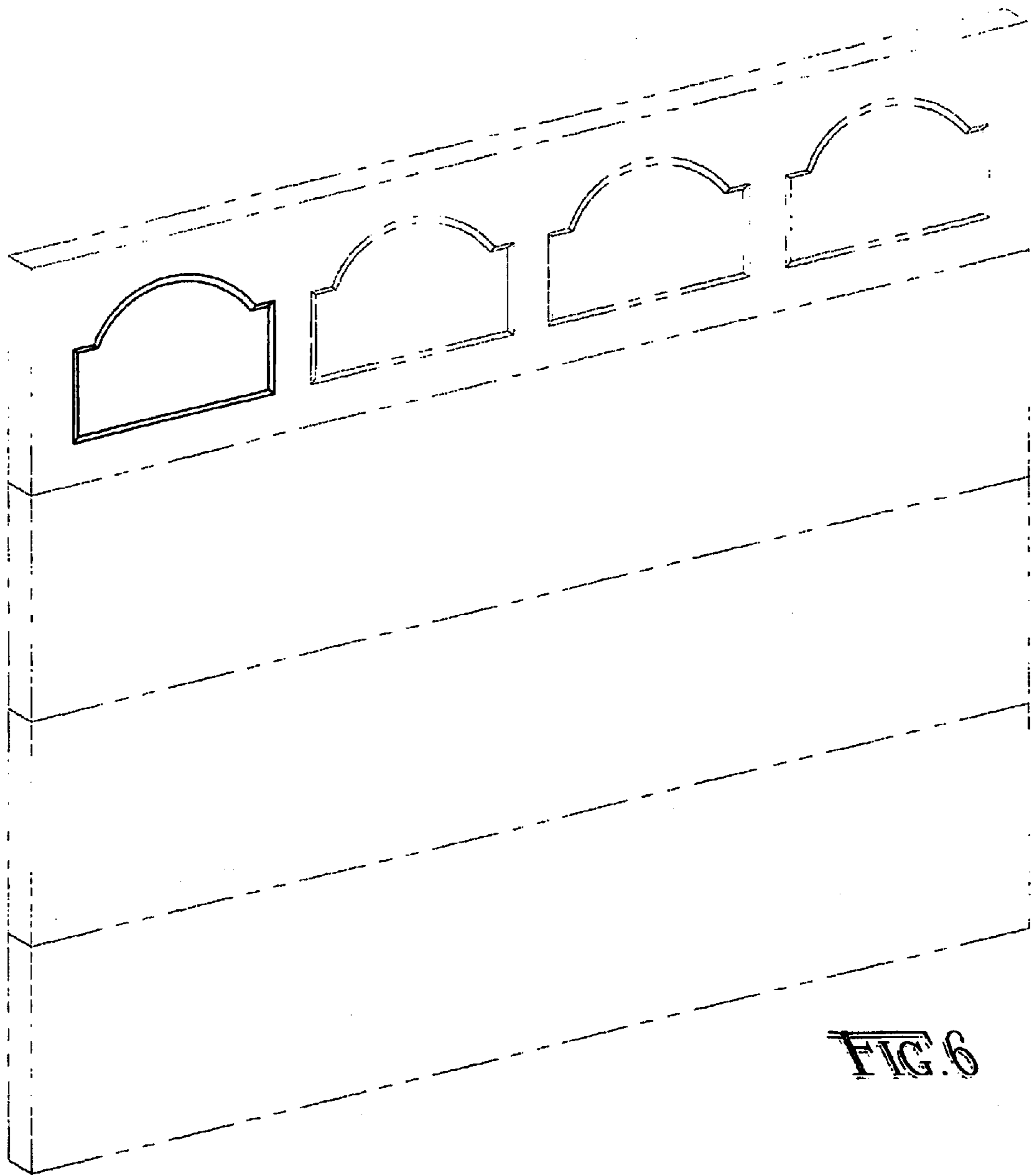
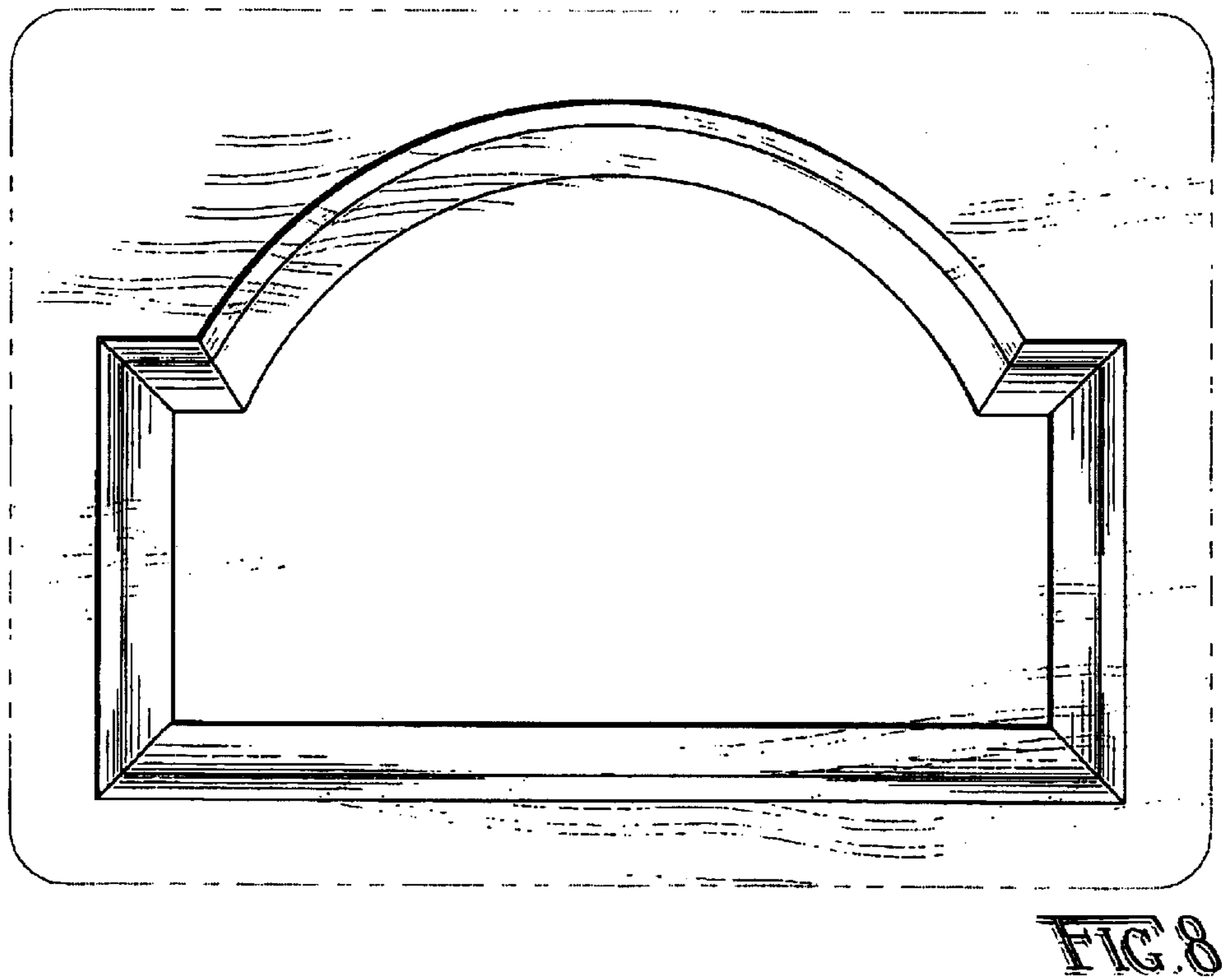
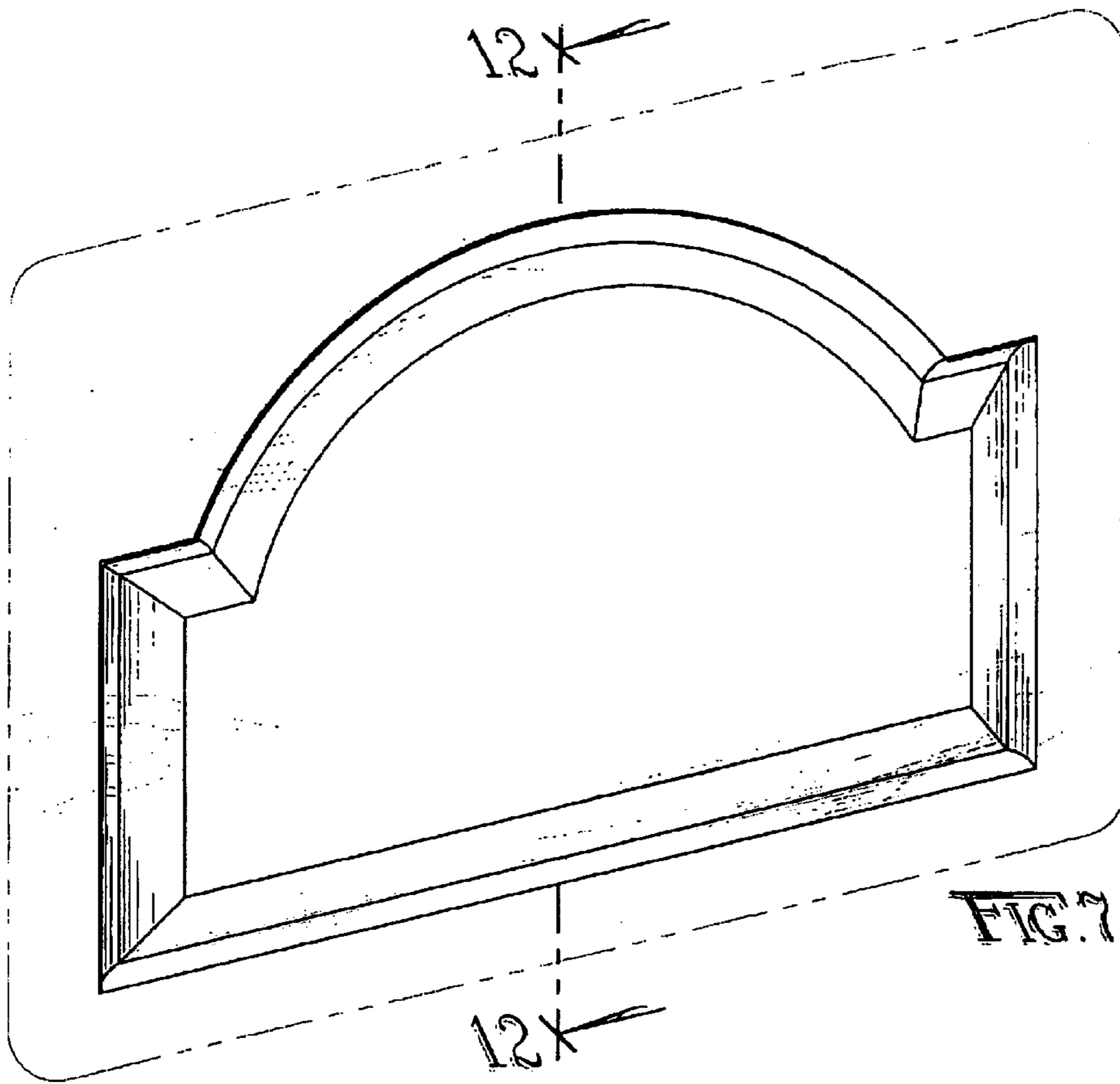


FIG. 6



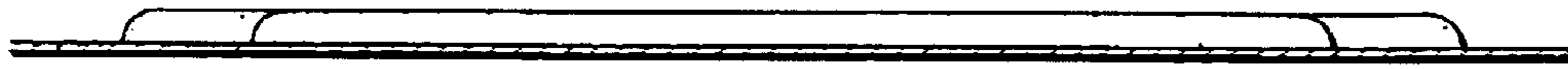


FIG. 9

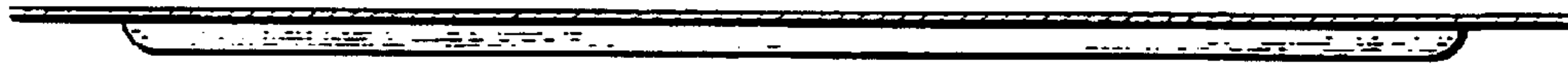


FIG. 10



FIG. 11

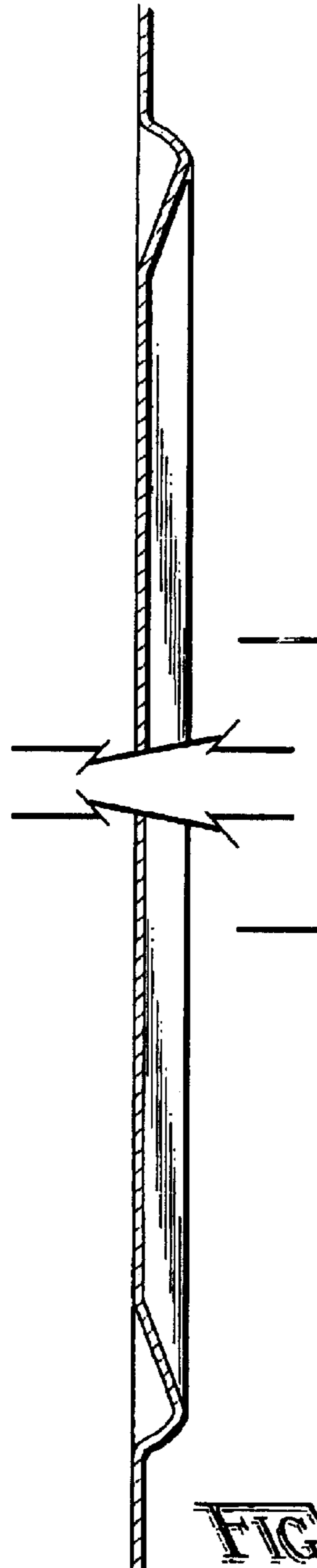


FIG. 12

