

US00D500868S

(12) **United States Design Patent**
Franson

(10) **Patent No.:** **US D500,868 S**

(45) **Date of Patent:** **** Jan. 11, 2005**

(54) **WINDOW COMPONENT EXTRUSION**

Mikron Part No. 7383; First Drawn: Jun. 4, 1996, First Sold: Jun. 19, 1996.

(75) **Inventor:** **Jeffrey R. Franson**, Maple Valley, WA (US)

Mikron Part No. 8200; First Drawn: Jun. 4, 1996, First Sold: Jun. 19, 1996.

(73) **Assignee:** **Mikron Industries, Inc.**, Kent, WA (US)

* cited by examiner

(**) **Term:** **14 Years**

(21) **Appl. No.:** **29/202,046**

Primary Examiner—Doris Clark

(22) **Filed:** **Mar. 24, 2004**

(74) *Attorney, Agent, or Firm*—Black Lowe & Graham PLLC

(51) **LOC (7) Cl.** **25-01**

(52) **U.S. Cl.** **D25/124**

(58) **Field of Search** D25/124; 52/204.5,
52/204.1; 49/504, DIG. 2

(57) **CLAIM**

The ornamental design for a window component extrusion, as shown and described.

(56) **References Cited**

DESCRIPTION

U.S. PATENT DOCUMENTS

D366,333 S	1/1996	Franson	
D369,419 S	4/1996	Franson	
D451,206 S	* 11/2001	Roberts et al. D25/60
D466,627 S	* 12/2002	Morton et al. D25/124
D469,887 S	* 2/2003	Franson D25/124

FIG. 1 is a top right perspective view of the window component extrusion which is broken in the center indicating indefinite length; and,

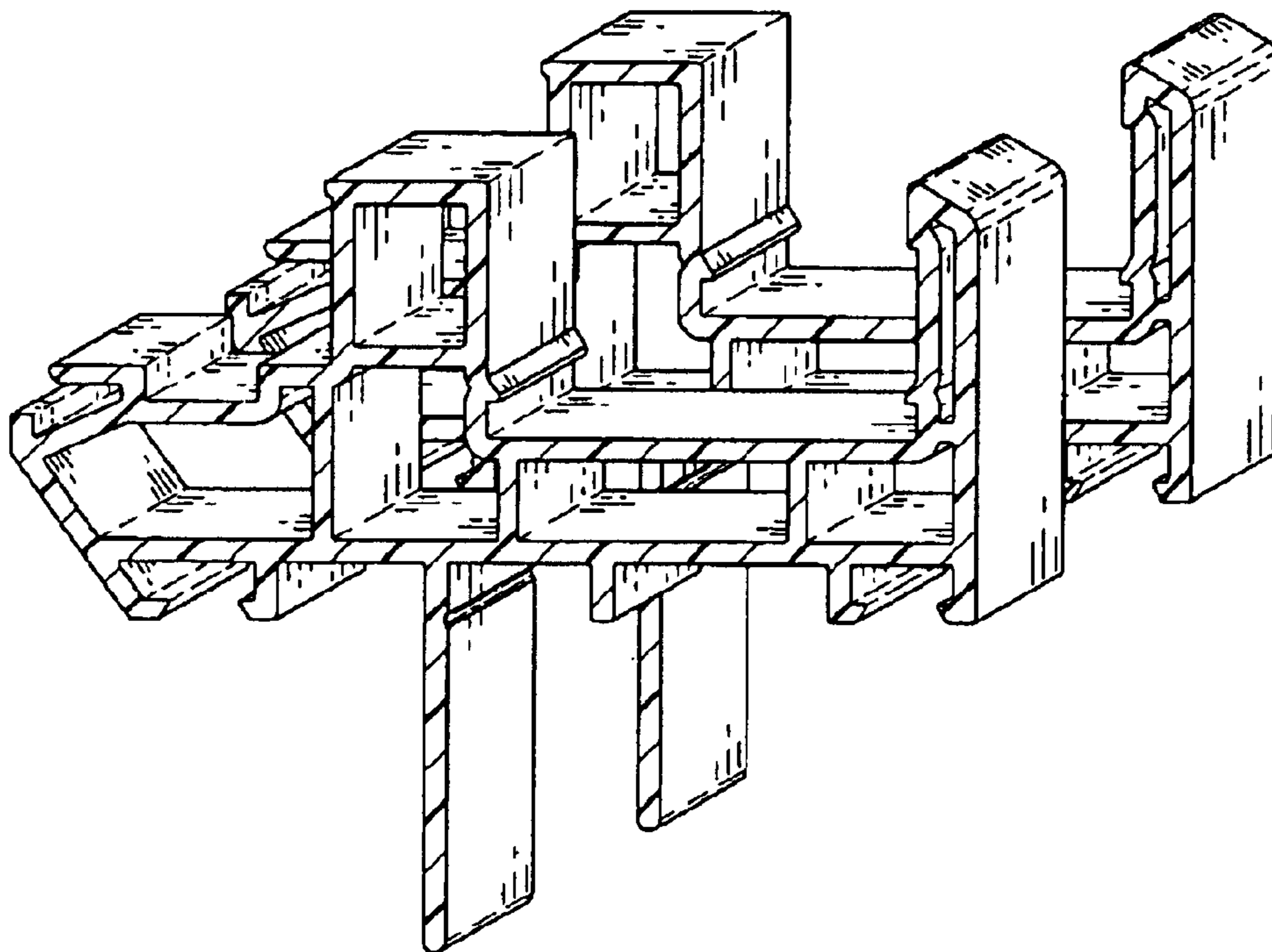
OTHER PUBLICATIONS

FIG. 2 is a bottom left perspective view of the window component extrusion shown in FIG. 1.

Mikron Part No. 7058; First Drawn: Sep. 9, 1994, First Sold: Jan. 10, 1995.

Mikron Part No. 7060; First Drawn: Sep. 9, 1994, First Sold: Apr. 18, 1995.

1 Claim, 1 Drawing Sheet



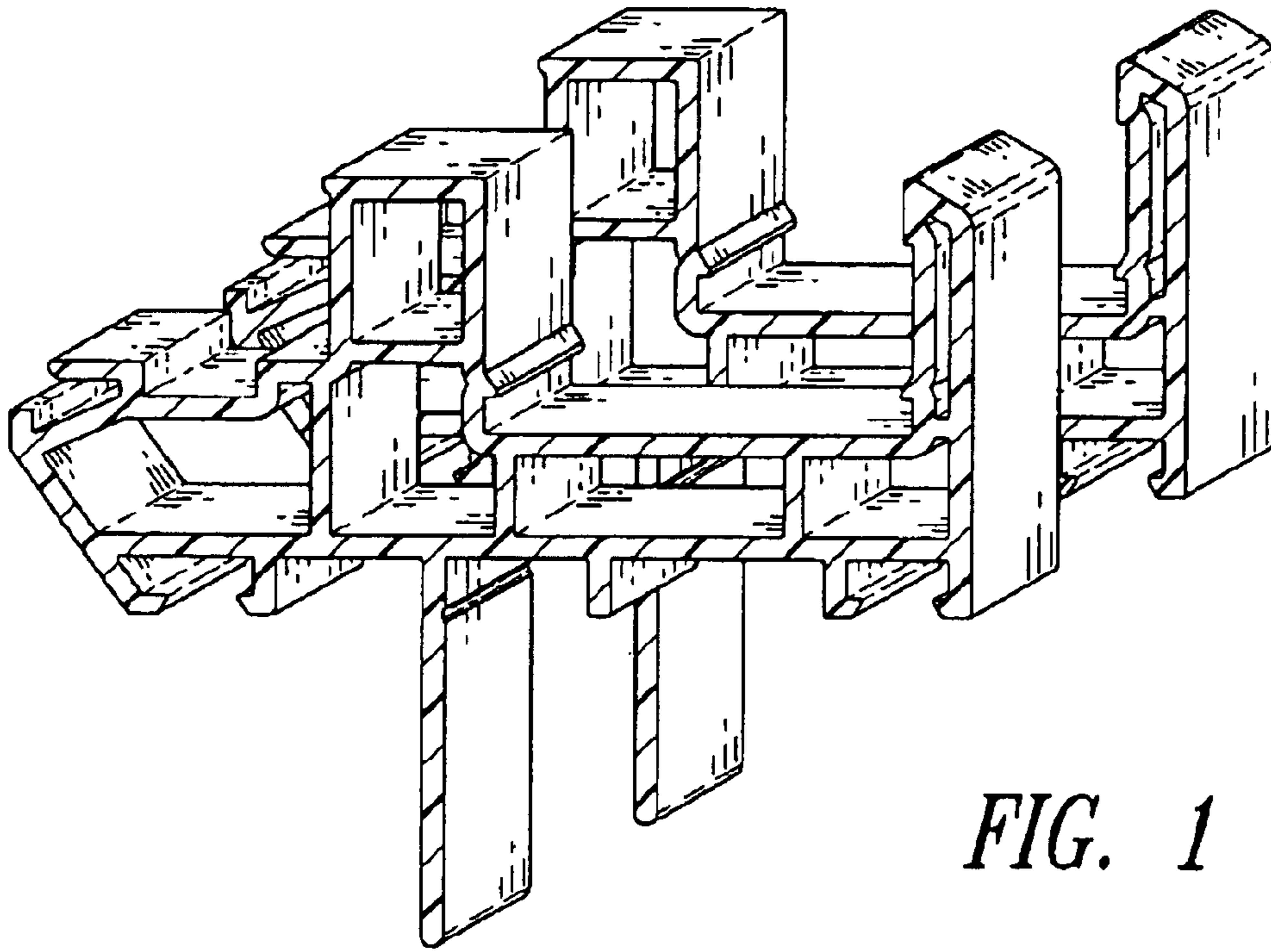


FIG. 1

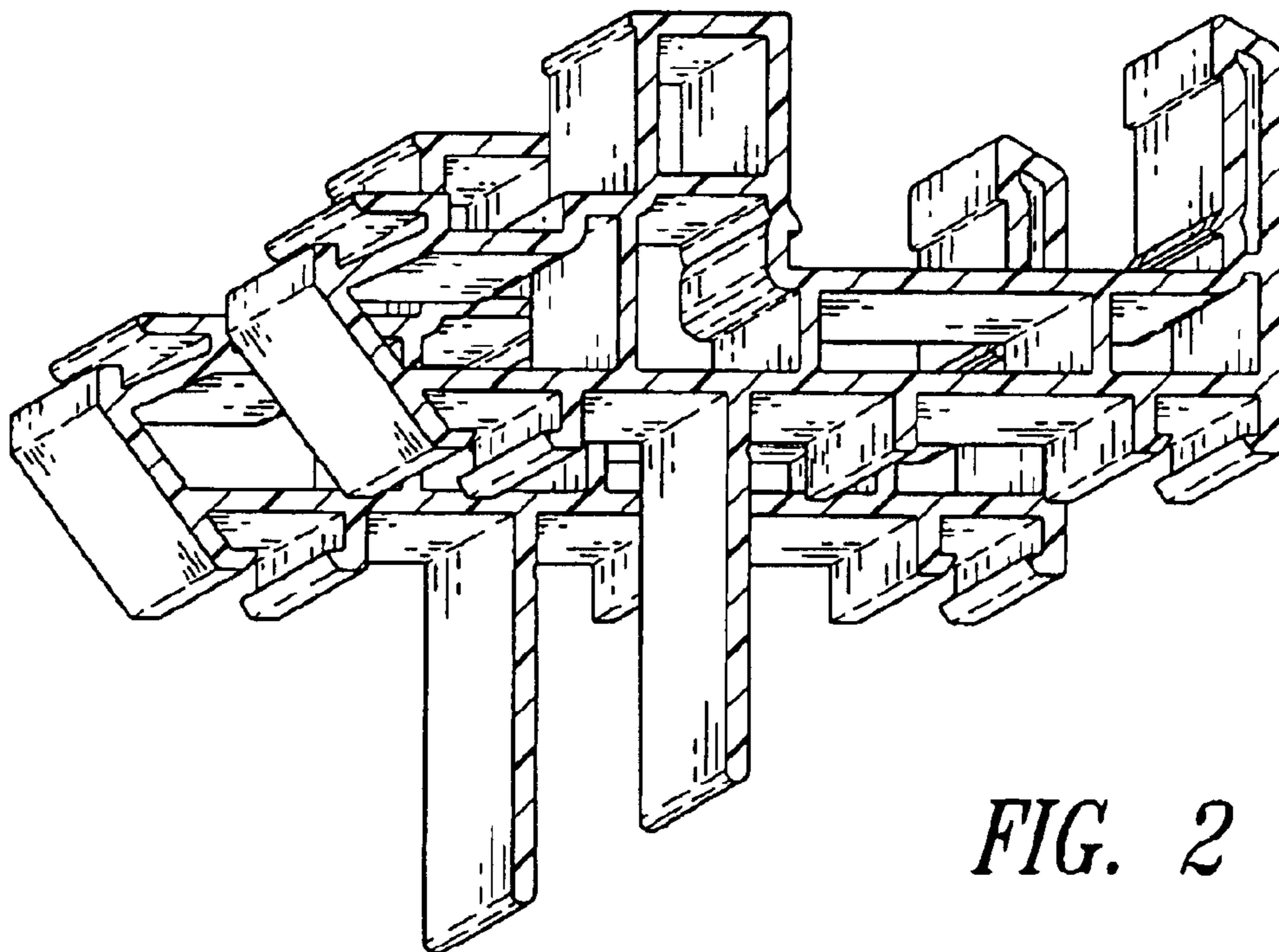


FIG. 2