

US00D500864S

(12) **United States Design Patent**
Klettenberg et al.

(10) **Patent No.:** **US D500,864 S**
(45) **Date of Patent:** **** Jan. 11, 2005**

(54) **ORNAMENTAL FACE FOR RETAINING WALL BLOCK**

(75) Inventors: **Charles N. Klettenberg**, Maple Grove, MN (US); **John H. F. Miller**, Buffalo, MN (US)

(73) Assignee: **Marshall Concrete Products, Inc.**, Minneapolis, MN (US)

(**) Term: **14 Years**

(21) Appl. No.: **29/186,527**

(22) Filed: **Jul. 17, 2003**

(51) **LOC (7) Cl.** **25-01**

(52) **U.S. Cl.** **D25/113**

(58) **Field of Search** D25/112-116, D25/118; D21/484-486, 493, 499-502, 504-505; 405/16, 284; 404/19-20, 27-31, 34-42; 52/105, 574-575, 596-612

(56) **References Cited**

U.S. PATENT DOCUMENTS

D20,242 S	*	10/1890	Lewis	D25/113
2,313,363 A		3/1943	Schmitt		
4,802,320 A		2/1989	Forsberg		
4,869,660 A		9/1989	Ruckstuhl		
4,909,010 A		3/1990	Gravier		
D319,885 S	*	9/1991	Blomquist et al.	D25/118
5,078,940 A		1/1992	Sayles		
D341,215 S	*	11/1993	Blomquist et al.	D25/118
D368,313 S		3/1996	Schulz, Jr.		
D380,560 S		7/1997	Forsberg		
D381,086 S		7/1997	Forsberg		

(List continued on next page.)

FOREIGN PATENT DOCUMENTS

FR 2622227 A1 10/1987

Primary Examiner—Robert A. Delehanty

(74) *Attorney, Agent, or Firm*—Patterson, Thuente, Skaar & Christensen, P.A.

(57) **CLAIM**

The ornamental design for the ornamental face of a retaining wall block, as shown and described.

DESCRIPTION

FIG. 1 is a perspective view of an ornamental face of a retaining wall block according to an embodiment of the invention.

FIG. 2 is a top view of an ornamental face of a retaining wall block according to an embodiment of the invention.

FIG. 3 is a bottom view of an ornamental face of a retaining wall block according to an embodiment of the invention.

FIG. 4 is a front view of an ornamental face of a retaining wall block according to an embodiment of the invention.

FIG. 5 is a rear view of an ornamental face of a retaining wall block according to an embodiment of the invention.

FIG. 6 is a side view of a first side of an ornamental face of a retaining wall block according to an embodiment of the invention.

FIG. 7 is a side view of a second side of an ornamental face of a retaining wall block according to an embodiment of the invention.

FIG. 8 is a perspective view of an ornamental face of a retaining wall block according to an embodiment of the invention.

FIG. 9 is a top view of an ornamental face of a retaining wall block according to an embodiment of the invention.

FIG. 10 is a bottom view of an ornamental face of a retaining wall block according to an embodiment of the invention.

FIG. 11 is a front view of an ornamental face of a retaining wall block according to an embodiment of the invention.

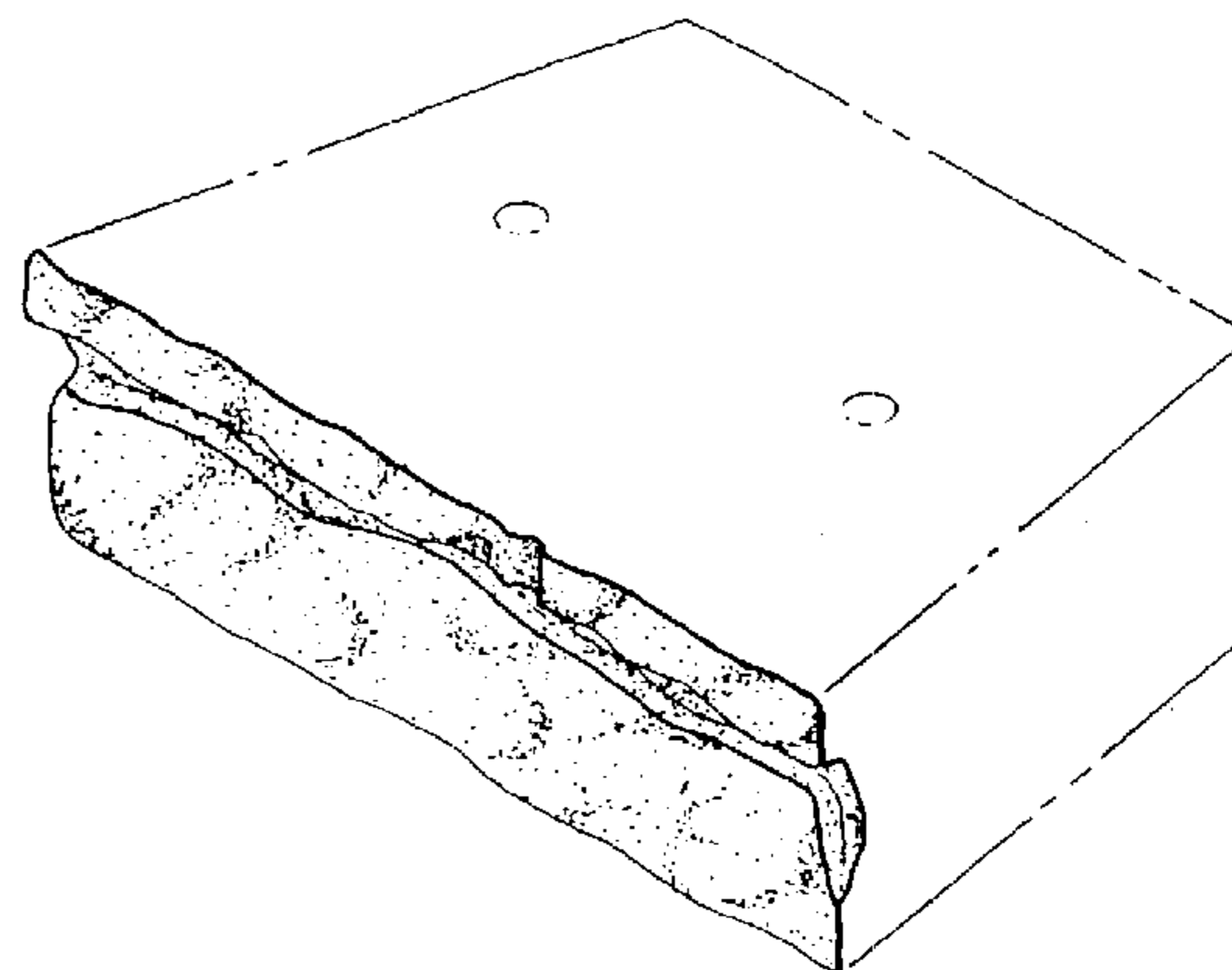
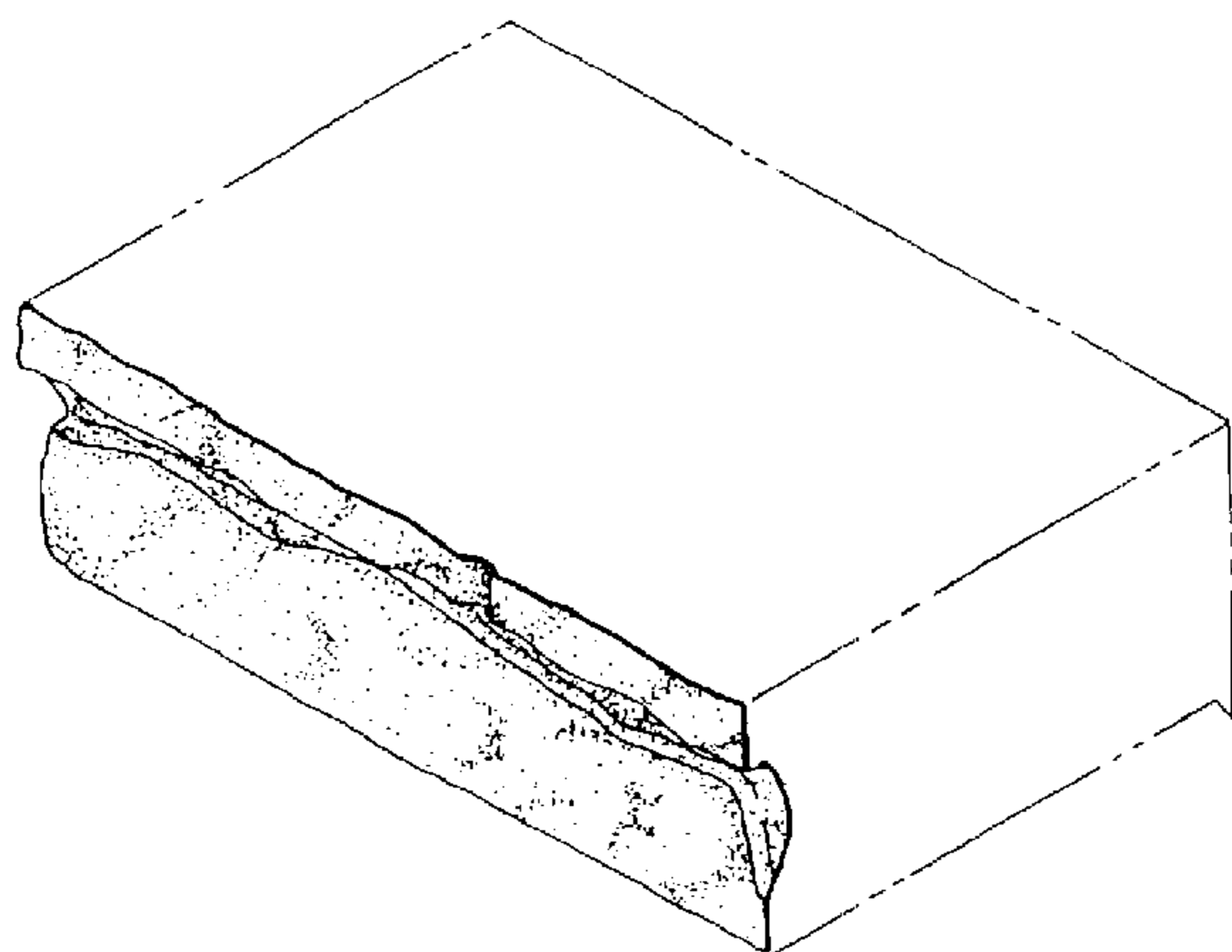
FIG. 12 is a rear view of an ornamental face of a retaining wall block according to an embodiment of the invention.

FIG. 13 is a side view of a first side of an ornamental face of a retaining wall block according to an embodiment of the invention; and,

FIG. 14 is a side view of a second side of an ornamental face of a retaining wall block according to an embodiment of the invention.

The broken lines appearing in the figures are not intended to form part of the claimed design and are provided for illustrative purposes only.

1 Claim, 4 Drawing Sheets



US D500,864 S

Page 2

U.S. PATENT DOCUMENTS

D387,434 S	12/1997	Dawson	6,224,815 B1	5/2001	LaCroix et al.
5,711,129 A	1/1998	Woolford	6,321,740 B1	11/2001	Scherer et al.
D392,385 S	3/1998	Sumerlin	D466,619 S *	12/2002	Britton D25/113
5,827,015 A	10/1998	Woolford et al.	D477,091 S	7/2003	Manthei
D429,006 S	8/2000	Price et al.	D477,419 S	7/2003	Manthei
D434,508 S	11/2000	Price et al.	6,637,981 B2	10/2003	MacDonald
D437,422 S	2/2001	Bolles et al.	2003/0126821 A1	7/2003	Scherer et al.
D438,640 S	3/2001	Bolles et al.	2003/0182011 A1	9/2003	Scherer

* cited by examiner

Fig. 1

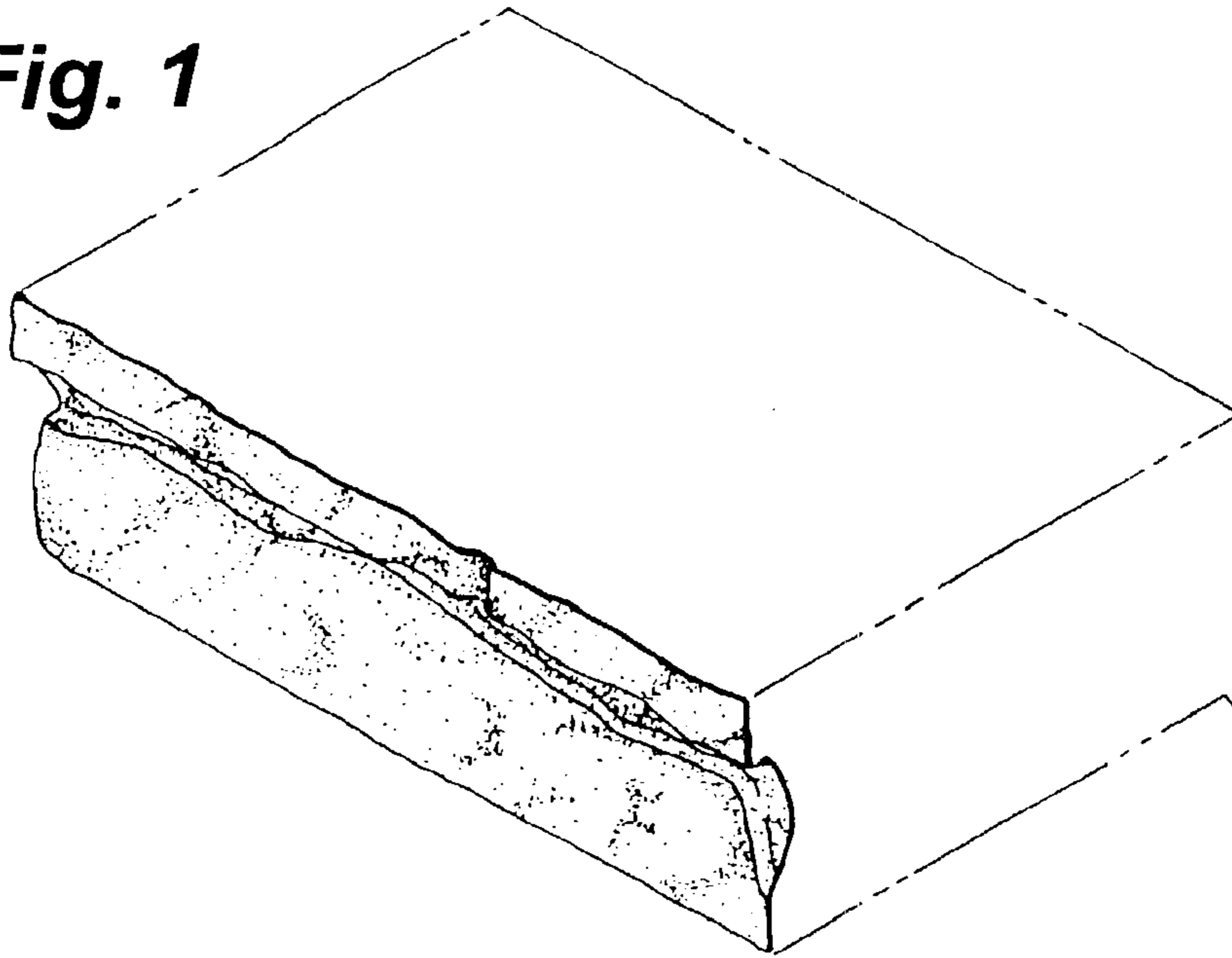


Fig. 2

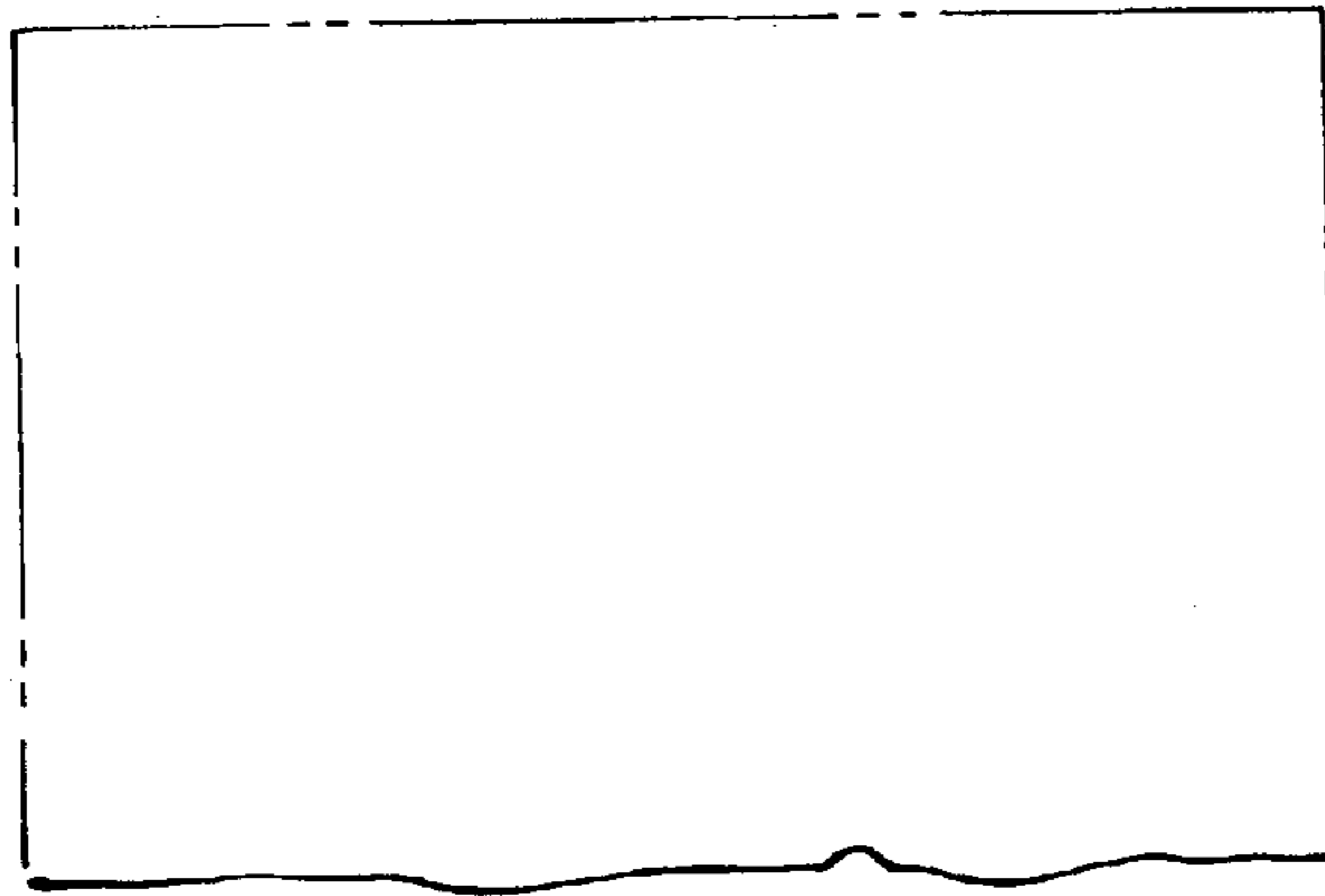


Fig. 3

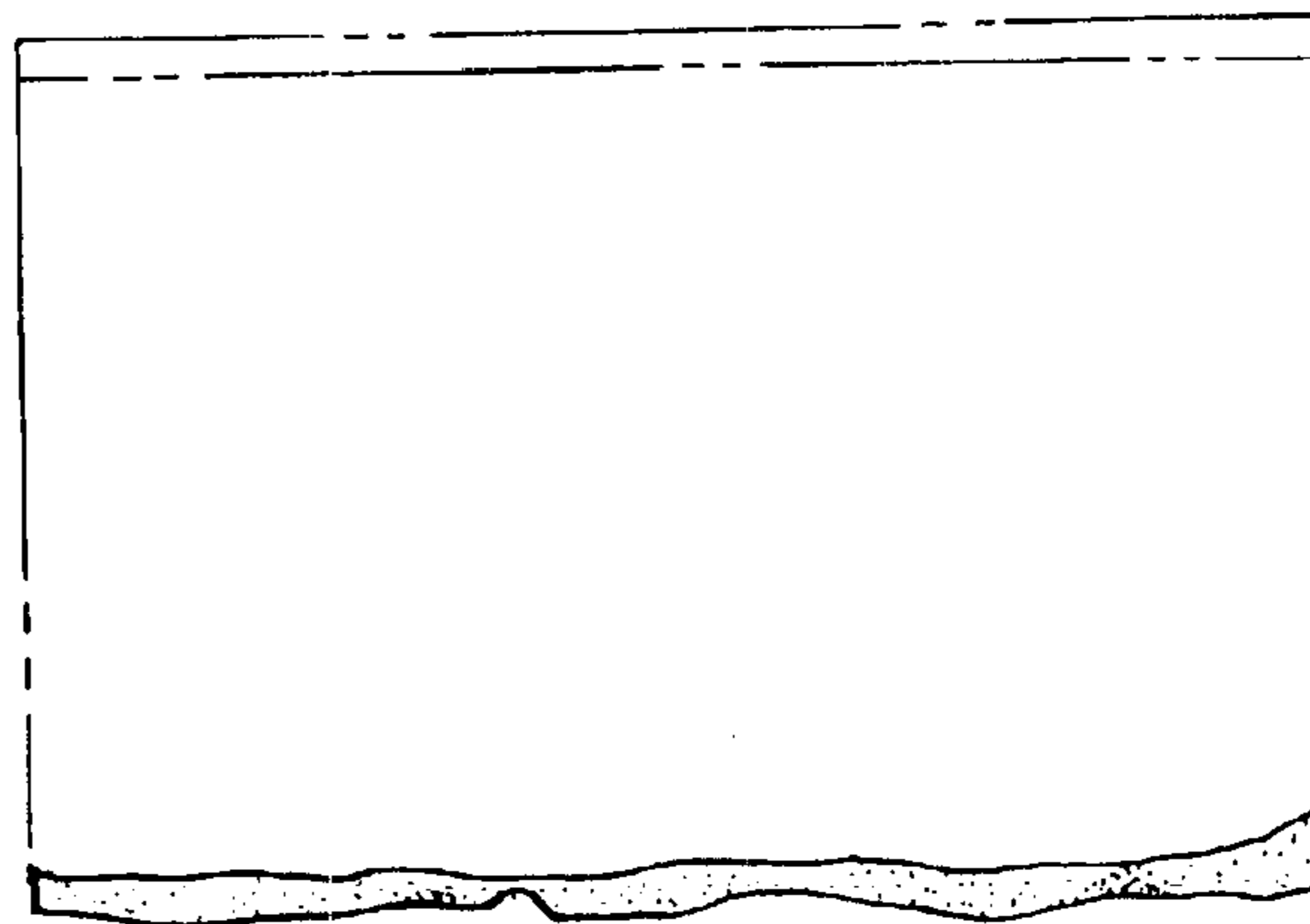


Fig. 4



Fig. 5

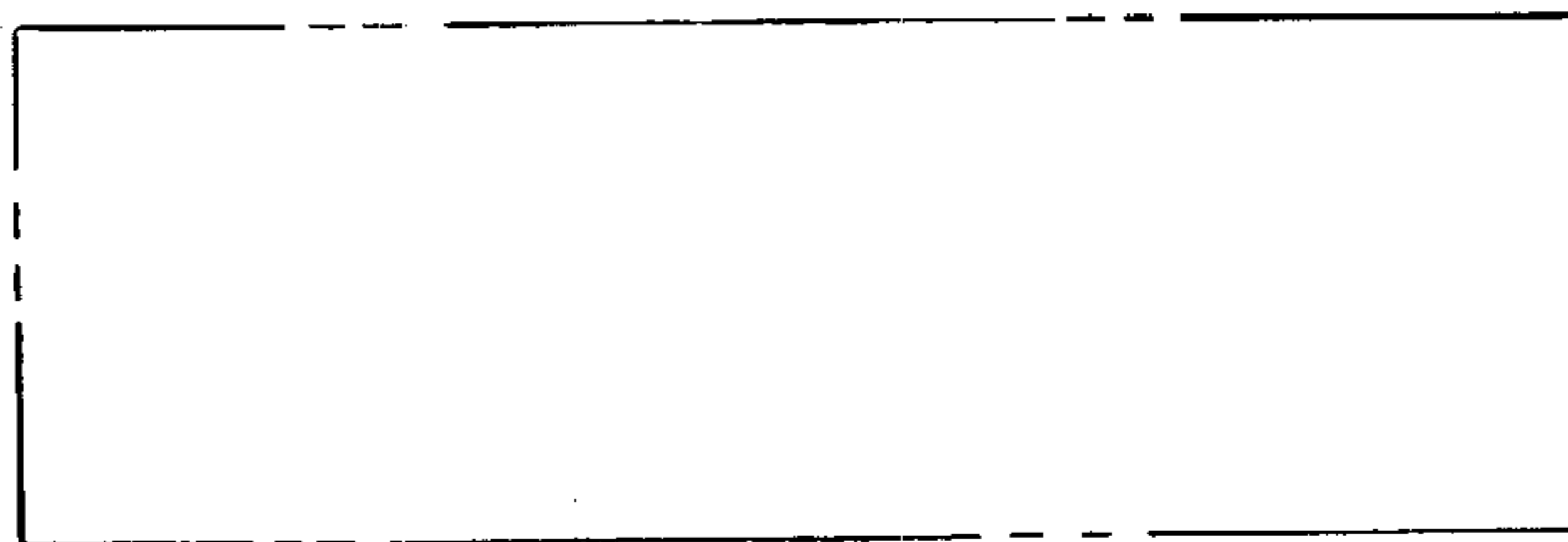


Fig. 6

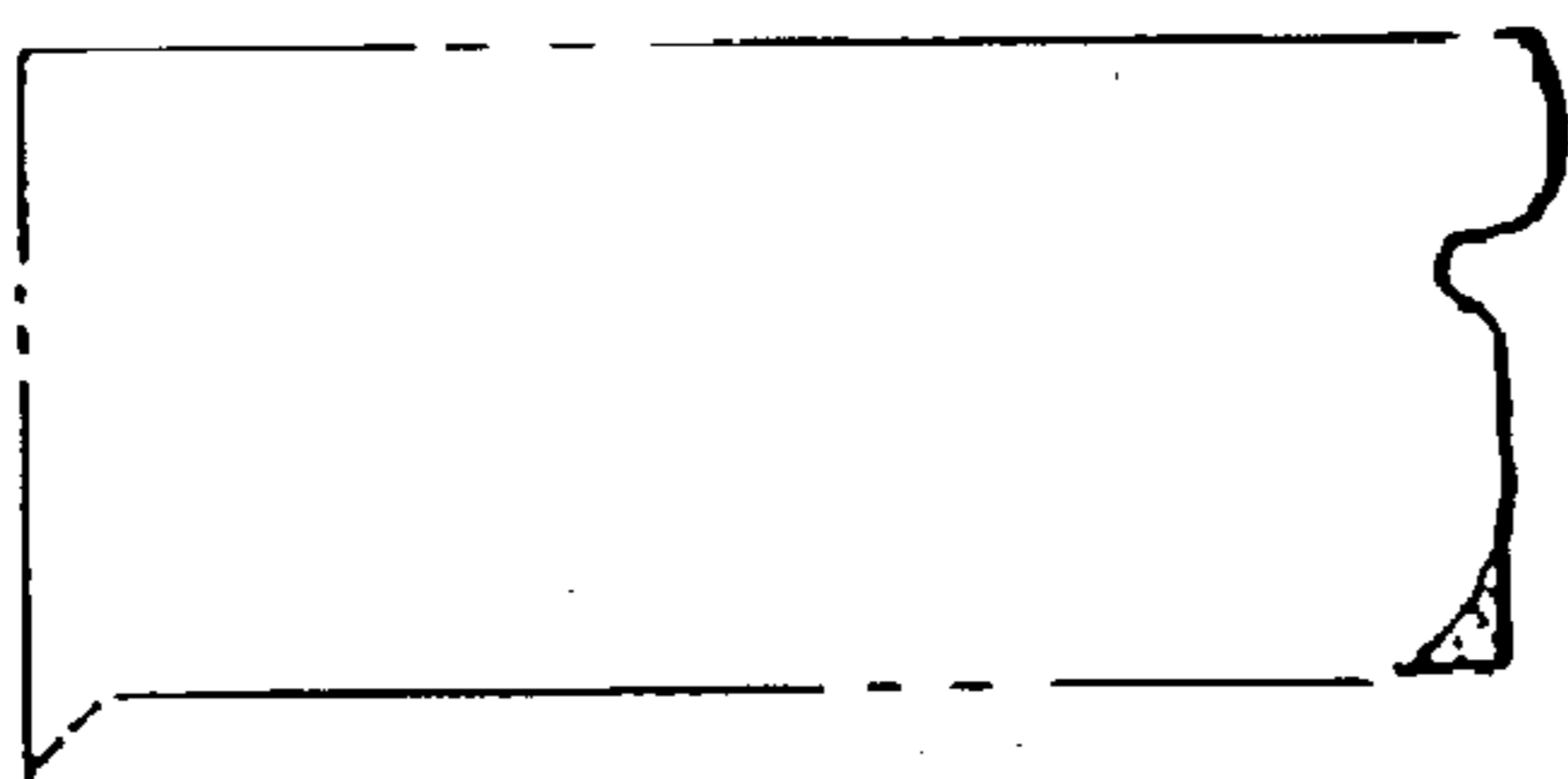


Fig. 7

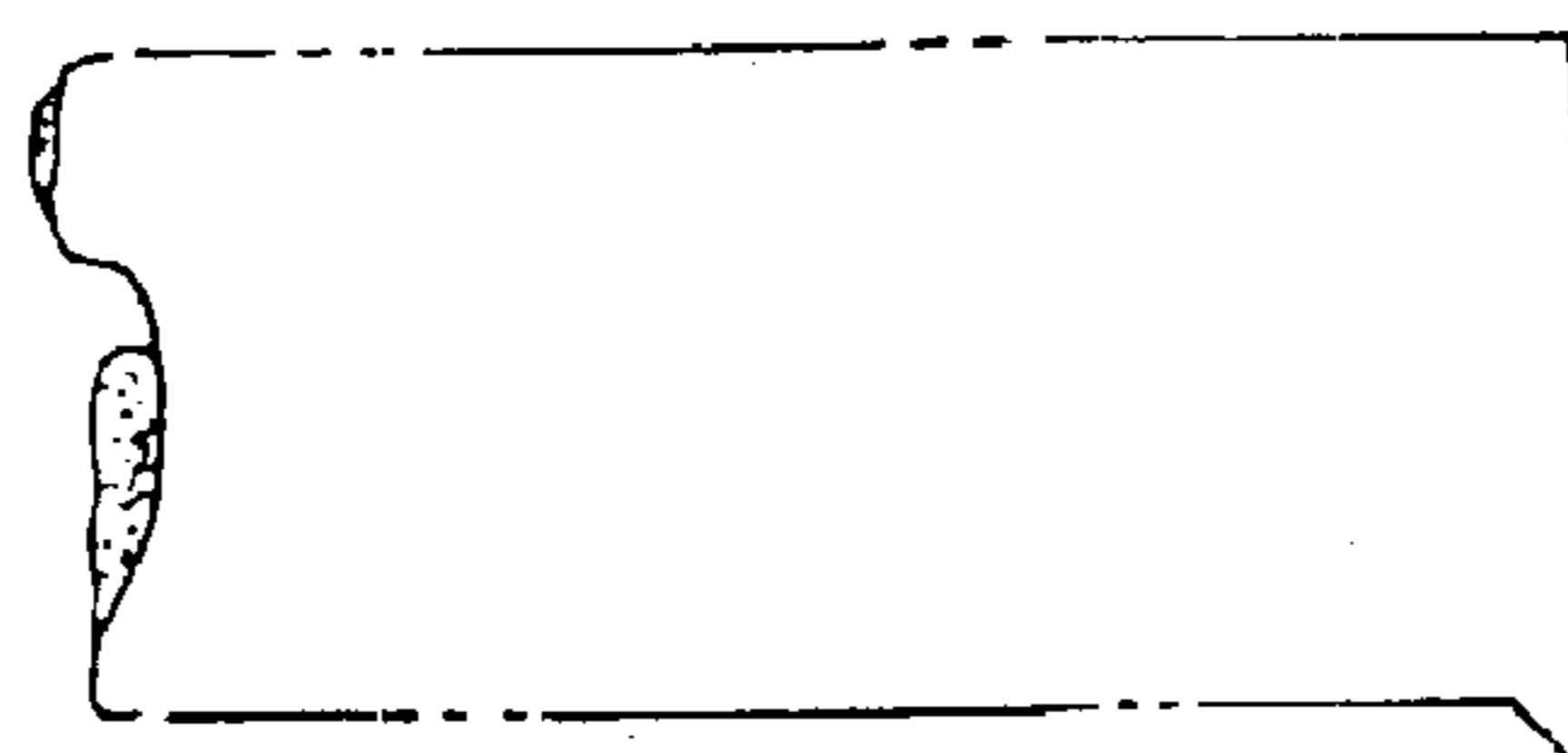


Fig. 8

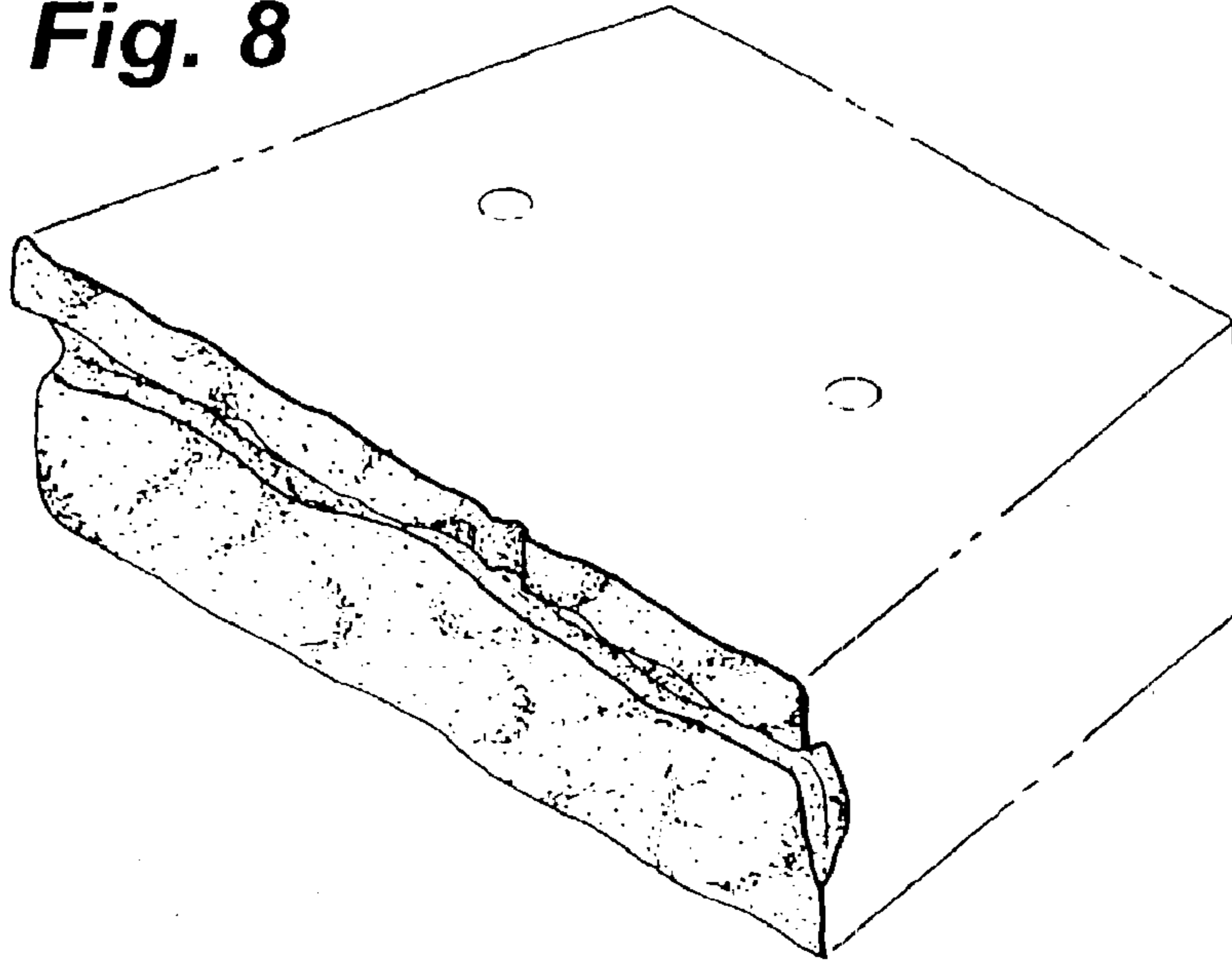


Fig. 9

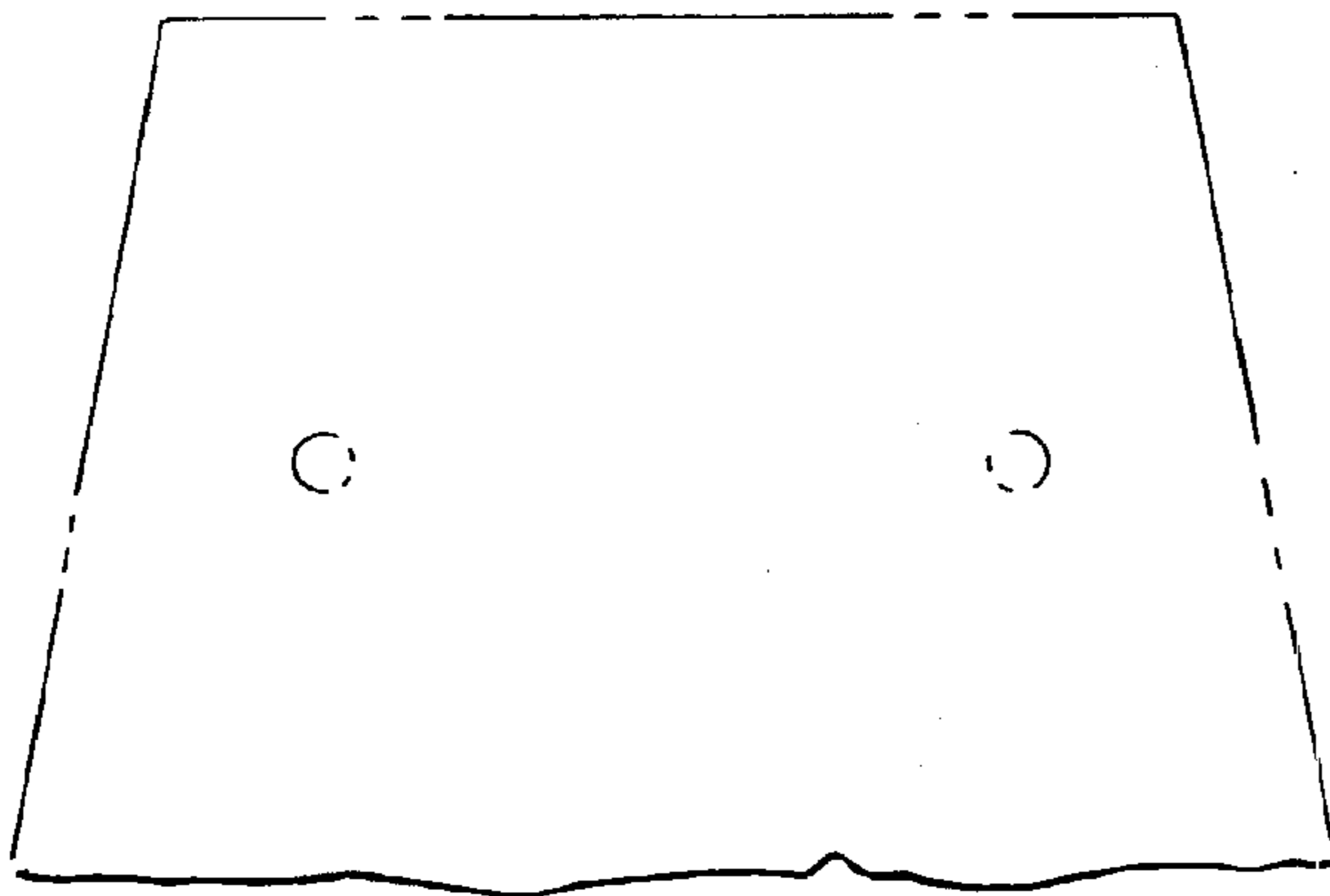


Fig. 10

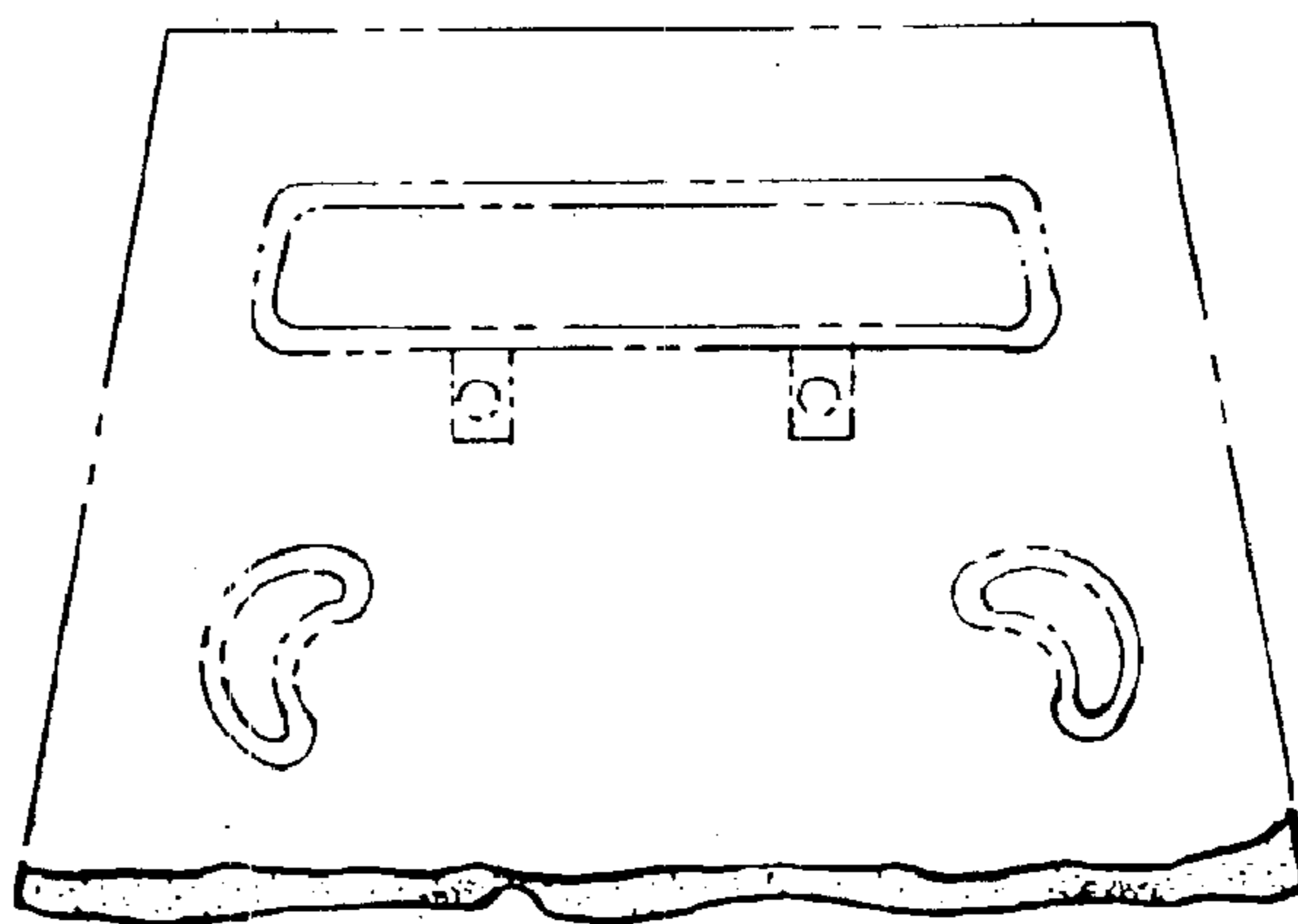


Fig. 11

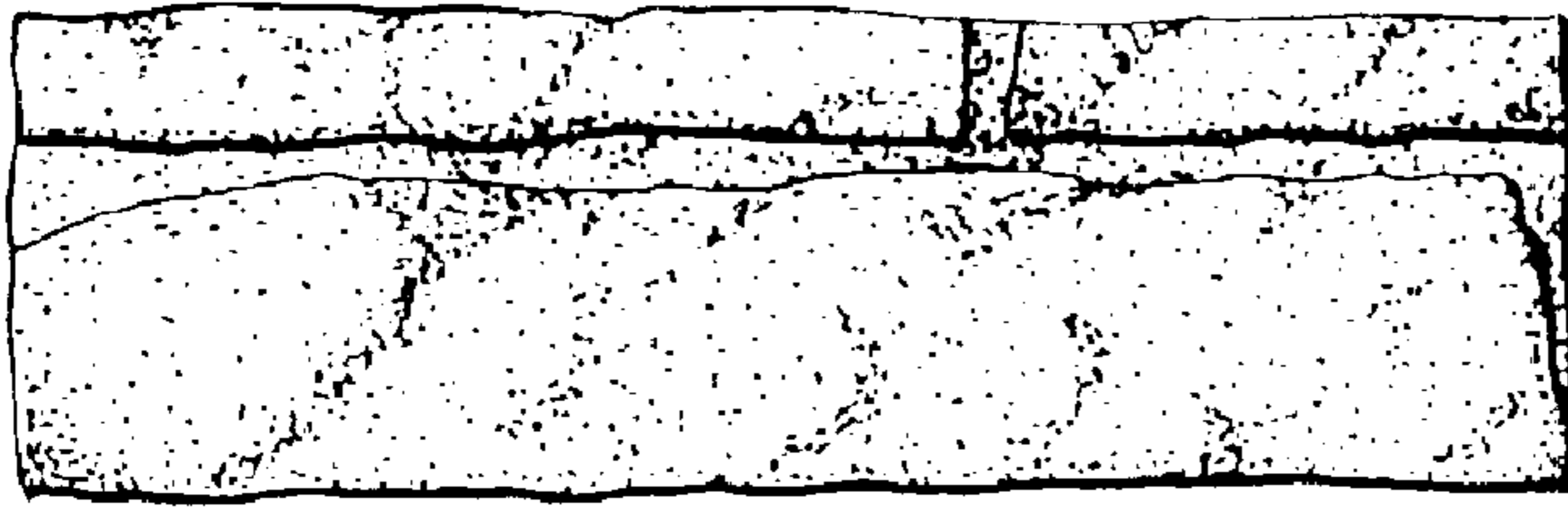


Fig. 12

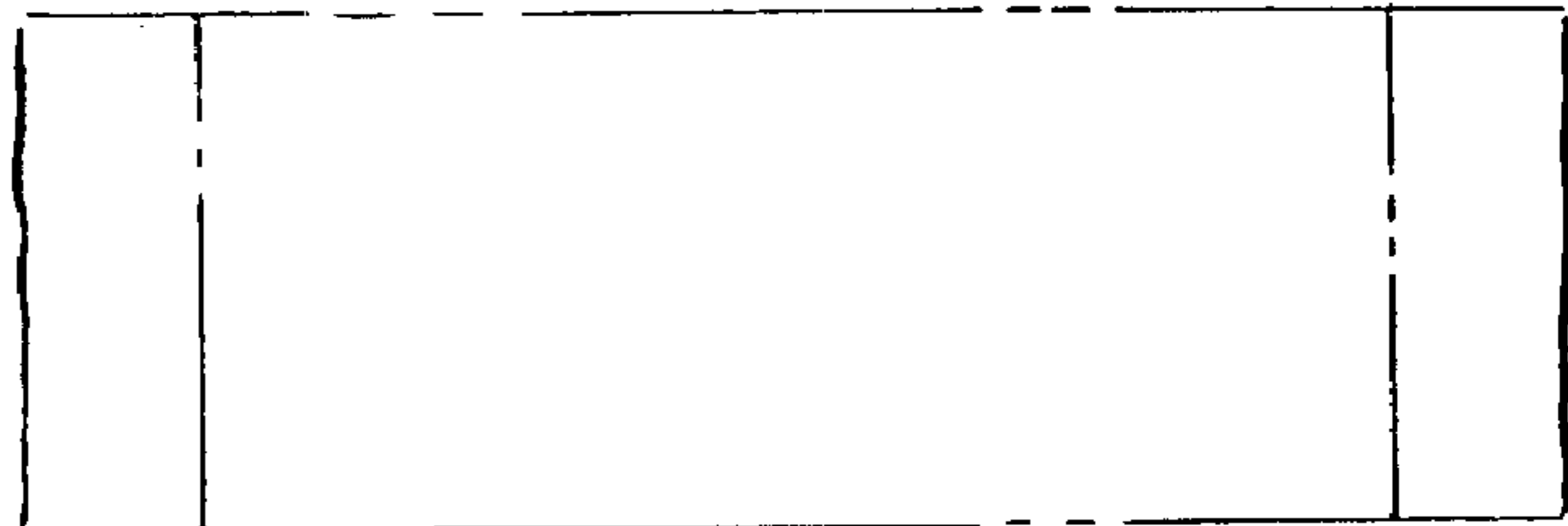


Fig. 13

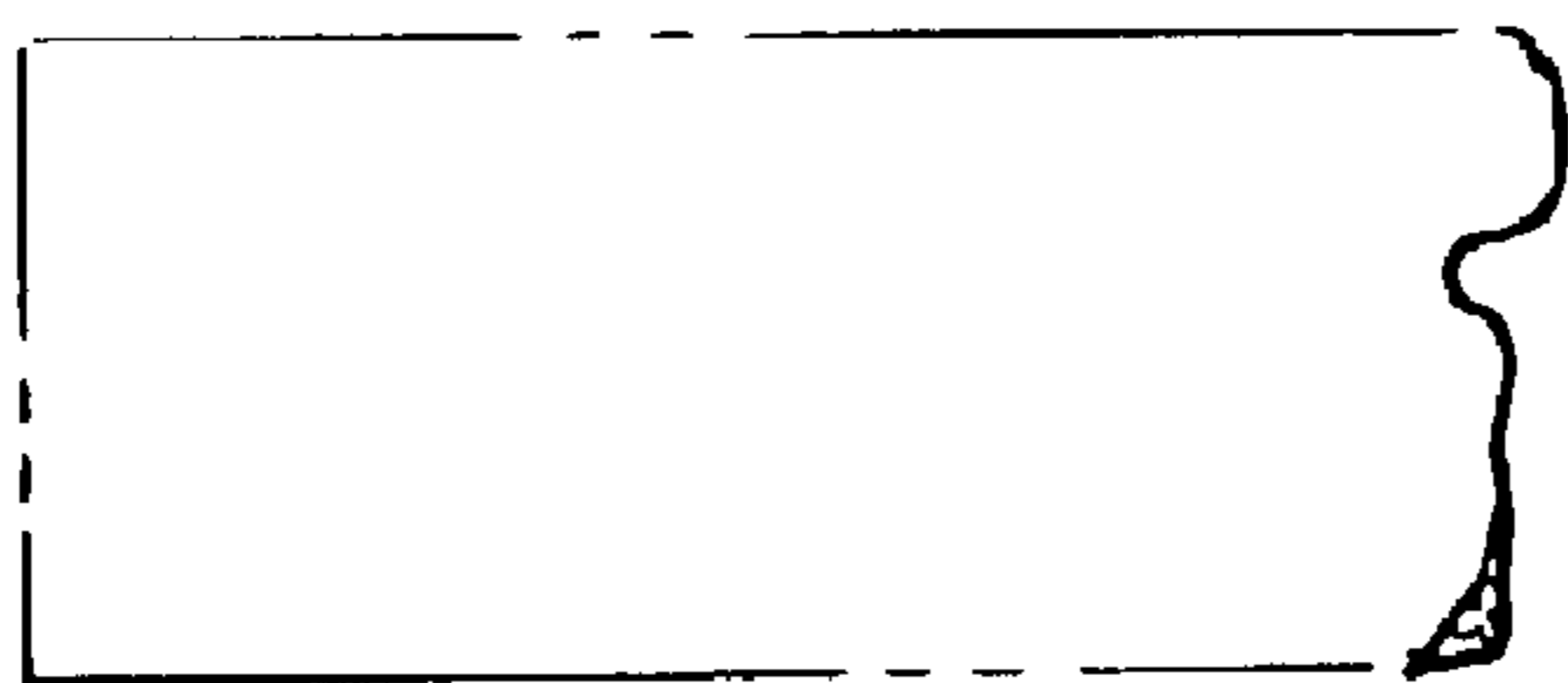


Fig. 14

