

US00D500863S

(12) **United States Design Patent**
Umscheid

(10) **Patent No.: US D500,863 S**
(45) **Date of Patent: ** Jan. 11, 2005**

- (54) **RADIUS CORNER FORM**
- (75) Inventor: **Paul C. Umscheid**, Kansas City, KS
(US)
- (73) Assignee: **Arch-It, Incorporated**, Overland Park,
KS (US)
- (**) Term: **14 Years**
- (21) Appl. No.: **29/193,145**
- (22) Filed: **Nov. 4, 2003**
- (51) **LOC (7) Cl. 25-01**
- (52) **U.S. Cl. D25/102**
- (58) **Field of Search D25/102, 199;**
52/86, 81.2, 287.1

- 4,665,666 A 5/1987 Hampton
- 4,671,035 A 6/1987 Ridge
- 4,817,354 A 4/1989 Bayer
- 4,837,998 A 6/1989 Roth
- 4,955,168 A 9/1990 Barry
- 5,090,168 A 2/1992 Fast et al.
- 5,440,847 A 8/1995 Butler
- 5,526,618 A 6/1996 Thomas
- 5,572,834 A 11/1996 Lilly
- 5,699,637 A 12/1997 Marocco
- D398,405 S * 9/1998 Beard, Jr. D25/102
- 5,857,299 A 1/1999 Gyllenberg et al.
- 5,870,872 A * 2/1999 Hinnen et al. 52/749.1
- 5,979,129 A 11/1999 Azar
- 6,128,864 A 10/2000 Barry et al.

* cited by examiner

Primary Examiner—Doris Clark
(74) *Attorney, Agent, or Firm*—Mark E. Brown

(56) **References Cited**
U.S. PATENT DOCUMENTS

- 1,391,602 A 9/1921 Abramson
- 1,619,631 A 3/1927 Patasnik
- 1,782,147 A 11/1930 Merryweather
- 1,959,176 A 5/1934 Rau
- 1,975,242 A 10/1934 Wilke
- 2,011,796 A 8/1935 Christensen
- 2,064,704 A 12/1936 Vass
- 2,105,180 A 1/1938 Blessin
- 2,256,548 A 9/1941 Chaffee
- 2,442,929 A 6/1948 Marino
- 2,710,431 A 6/1955 Griffon
- 3,008,273 A 11/1961 Widin
- 3,213,980 A 10/1965 Persson
- 3,708,944 A 1/1973 Miyake
- 3,728,833 A 4/1973 Grossman
- 3,820,298 A 6/1974 Kirsch
- 4,228,630 A 10/1980 Englert et al.
- 4,301,632 A 11/1981 Wagner
- 4,389,822 A 6/1983 Krippner
- 4,400,917 A 8/1983 Massaro et al.
- 4,601,138 A 7/1986 Hampton

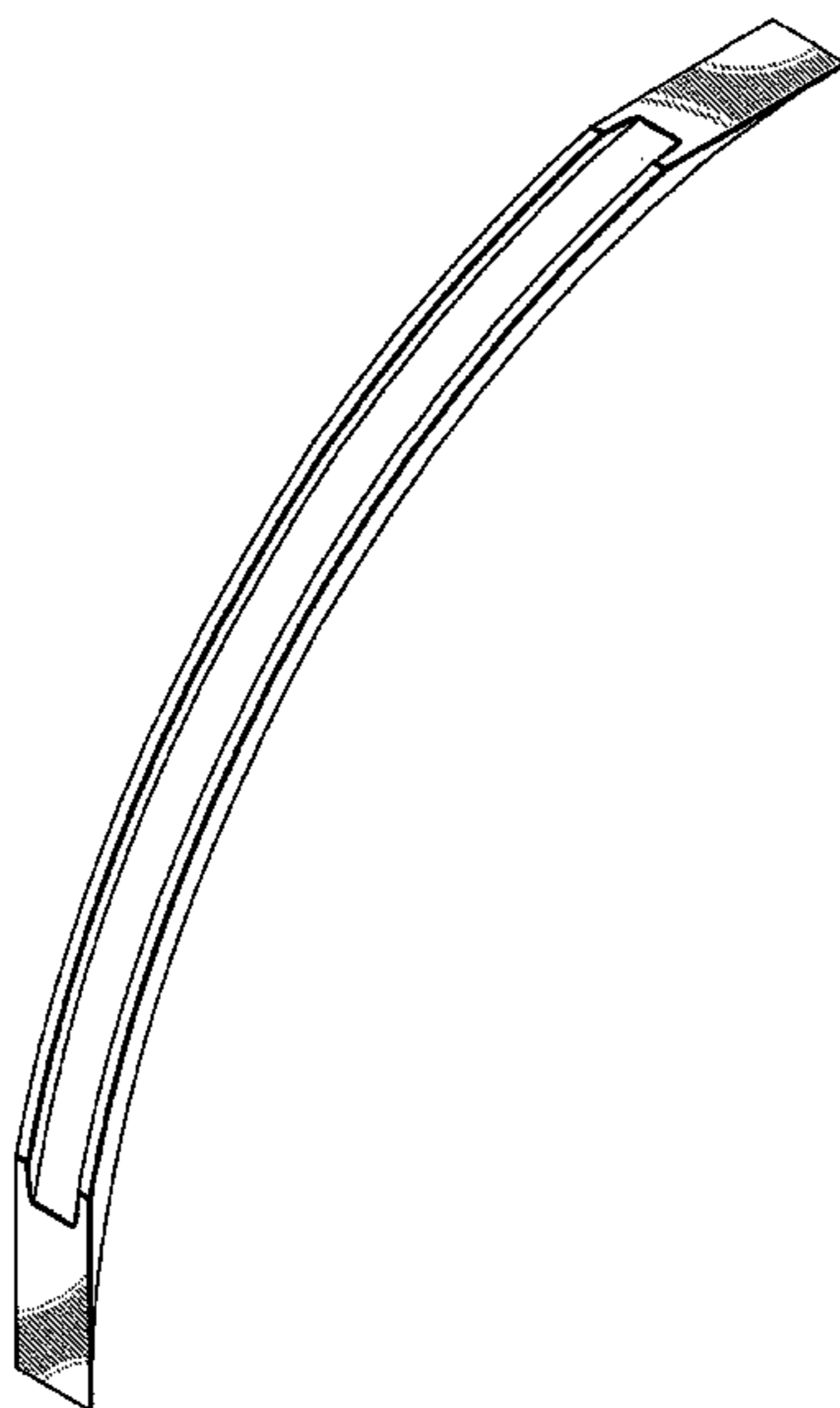
(57) **CLAIM**

The ornamental design for a radius corner form, as shown and described.

DESCRIPTION

FIG. 1 is a top, front, left side perspective view of a radius corner form, showing my new design;
 FIG. 2 is a front elevational view thereof, the back elevation being a mirror or image of FIG. 1;
 FIG. 3 is a top plan view of FIG. 1;
 FIG. 4 is a bottom plan view of FIG. 1;
 FIG. 5 is a left side elevational view of FIG. 1;
 FIG. 6 is a right side elevational view of FIG. 1;
 FIG. 7 is a cross-sectional view, taken generally along line 7—7 of FIG. 2; and,
 FIG. 8 is a top perspective view of a radius corner form in a radius corner construction; the environment comprising the construction is shown in broken lines for illustrative purposes only and forms no part of the claimed design.

1 Claim, 4 Drawing Sheets



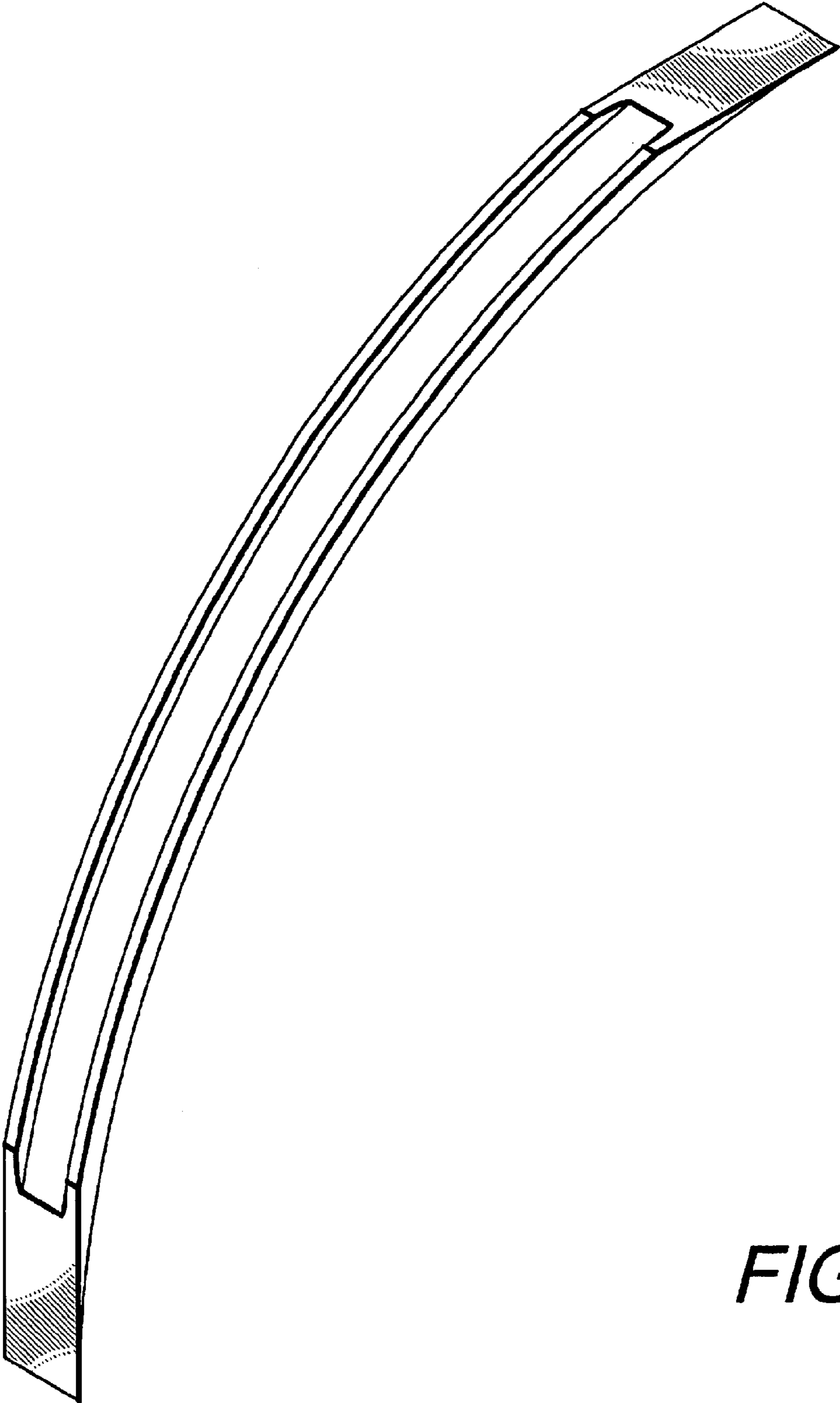
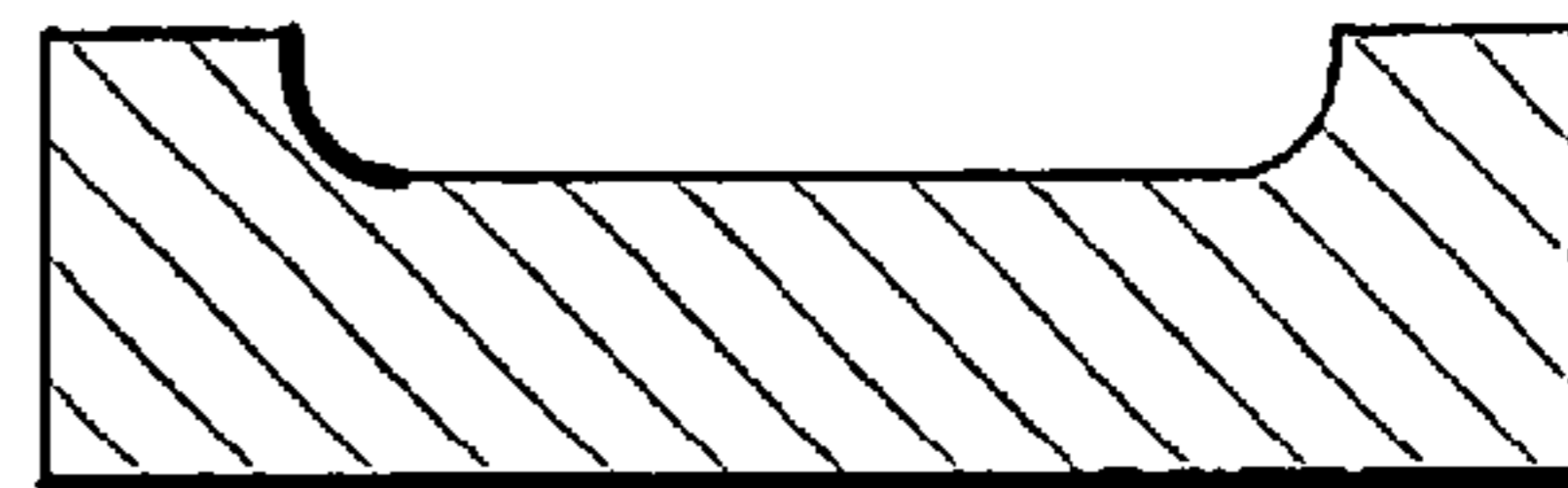
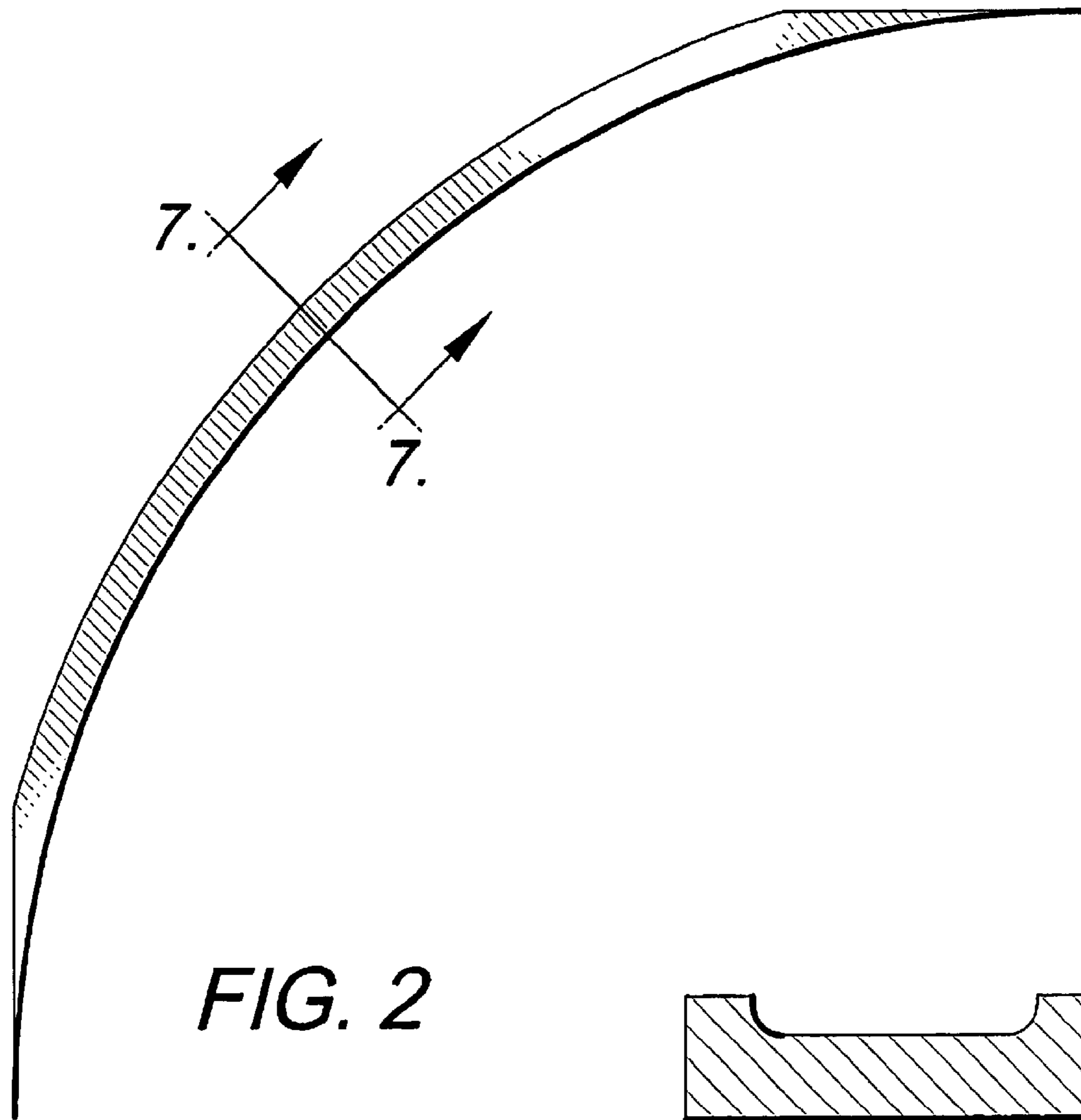


FIG. 1



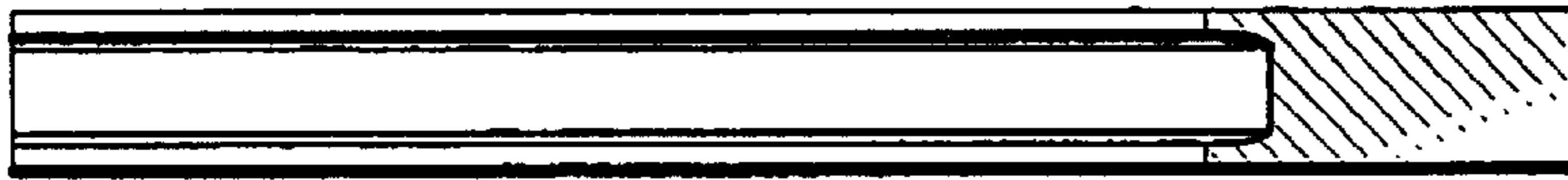


FIG. 3



FIG. 4



FIG. 5

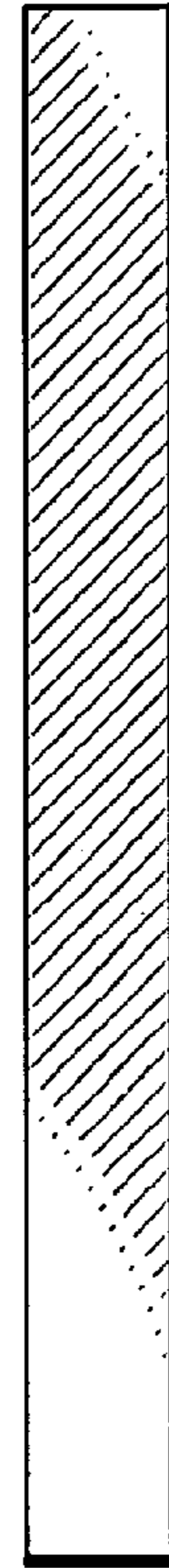


FIG. 6

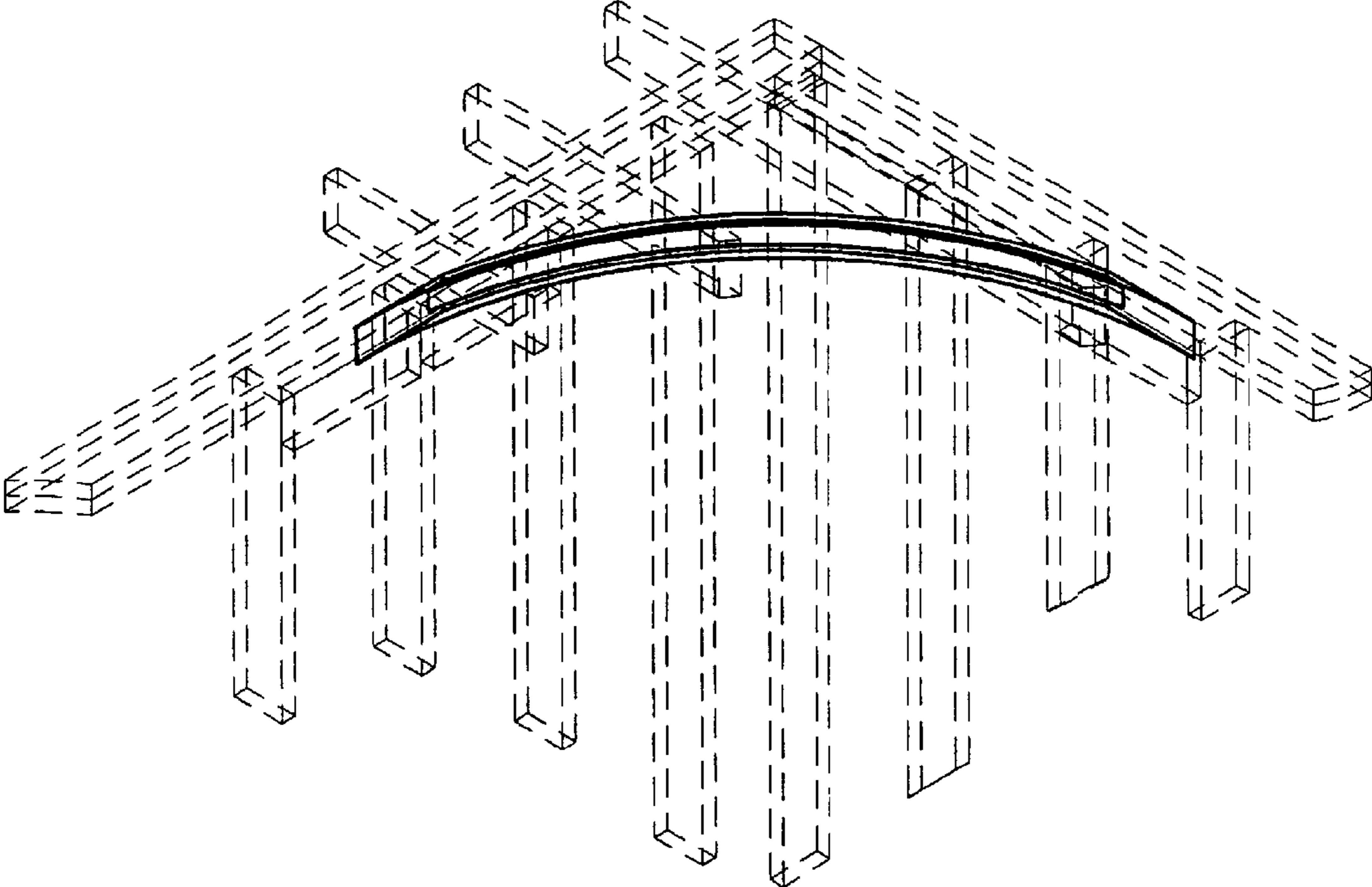


FIG. 8