

US00D500862S

(12) **United States Design Patent**  
**Westby et al.**

(10) **Patent No.: US D500,862 S**

(45) **Date of Patent: \*\* Jan. 11, 2005**

(54) **STEP RISER**

6,230,454 B1 \* 5/2001 Meagher ..... 52/182

(75) Inventors: **Richard J. Westby**, Danbury, CT (US);  
**Kehinde Odunsi**, Wingdale, NY (US)

\* cited by examiner

(73) Assignee: **Allwood Stillwell Stairs & Railings, Inc.**, Goldens Bridge, NY (US)

*Primary Examiner*—Doris Clark  
(74) *Attorney, Agent, or Firm*—Connolly Bove Lodge & Hutz LLP; Myron K. Wyche

(\*\*) Term: **14 Years**

(57) **CLAIM**

The ornamental design for a step riser, as shown and described.

(21) Appl. No.: **29/202,120**

(22) Filed: **Mar. 26, 2004**

**DESCRIPTION**

(51) **LOC (7) Cl.** ..... **25-04**

(52) **U.S. Cl.** ..... **D25/69**

(58) **Field of Search** ..... D25/69; 52/182,  
52/188, 191, 190

FIG. 1 is a top-front perspective view showing our new design;

FIG. 2 is a bottom-front perspective view thereof; and,  
FIG. 3 is a front elevational view thereof.

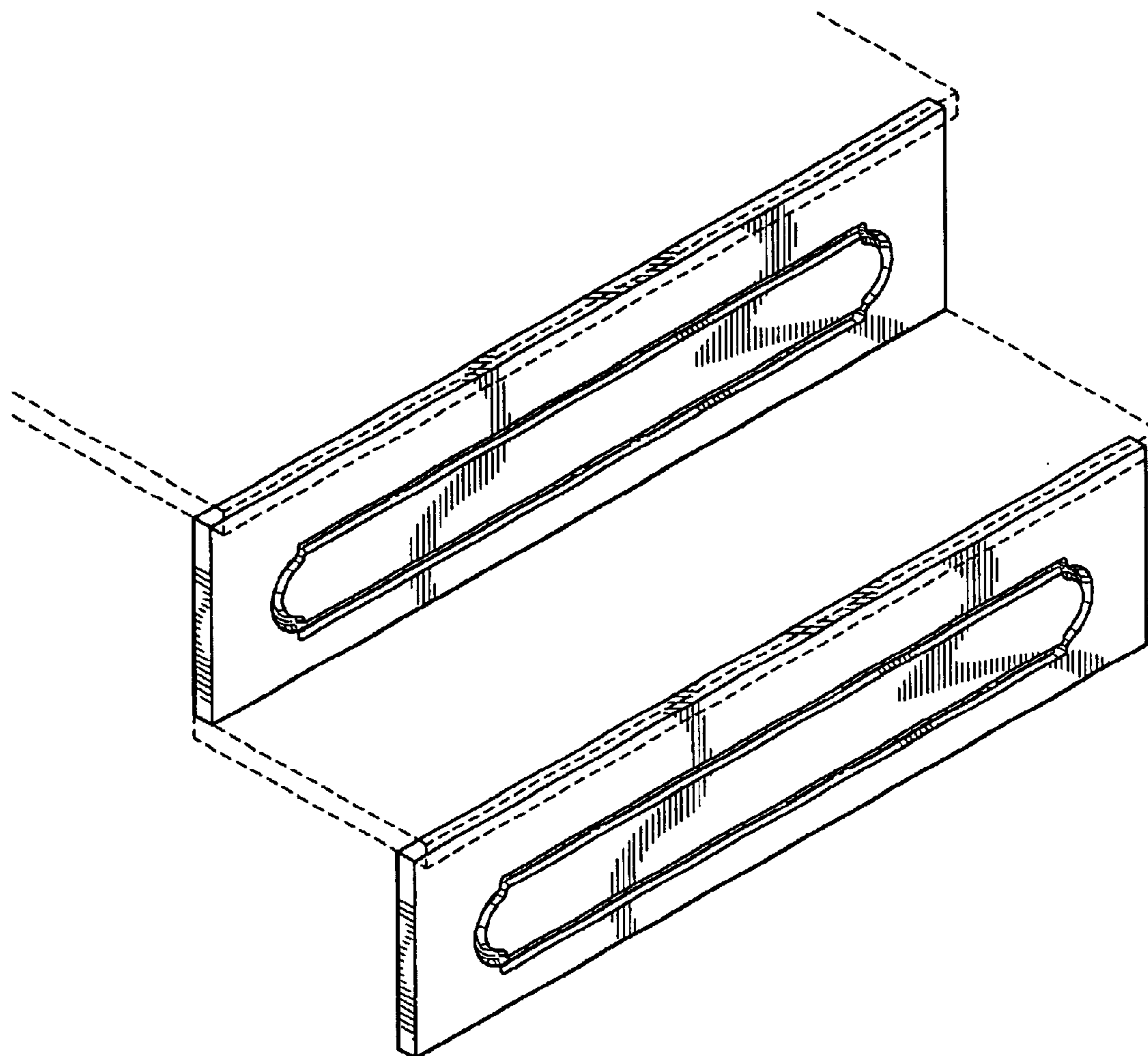
The broken lines are for illustrative purposes only and form no part of the claimed design.

(56) **References Cited**

**U.S. PATENT DOCUMENTS**

D424,707 S \* 5/2000 Shackelford ..... D25/69

**1 Claim, 1 Drawing Sheet**



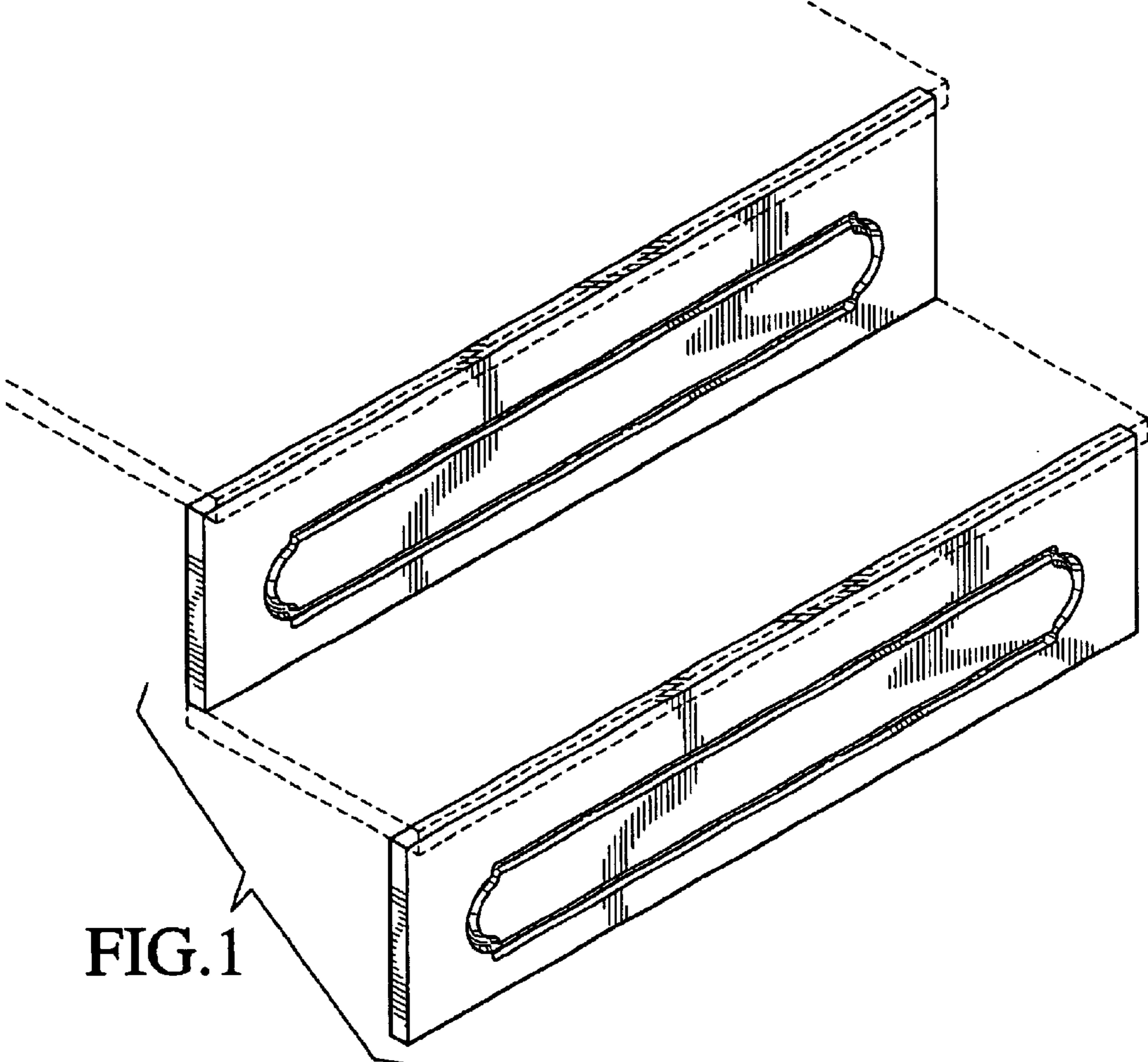


FIG. 1

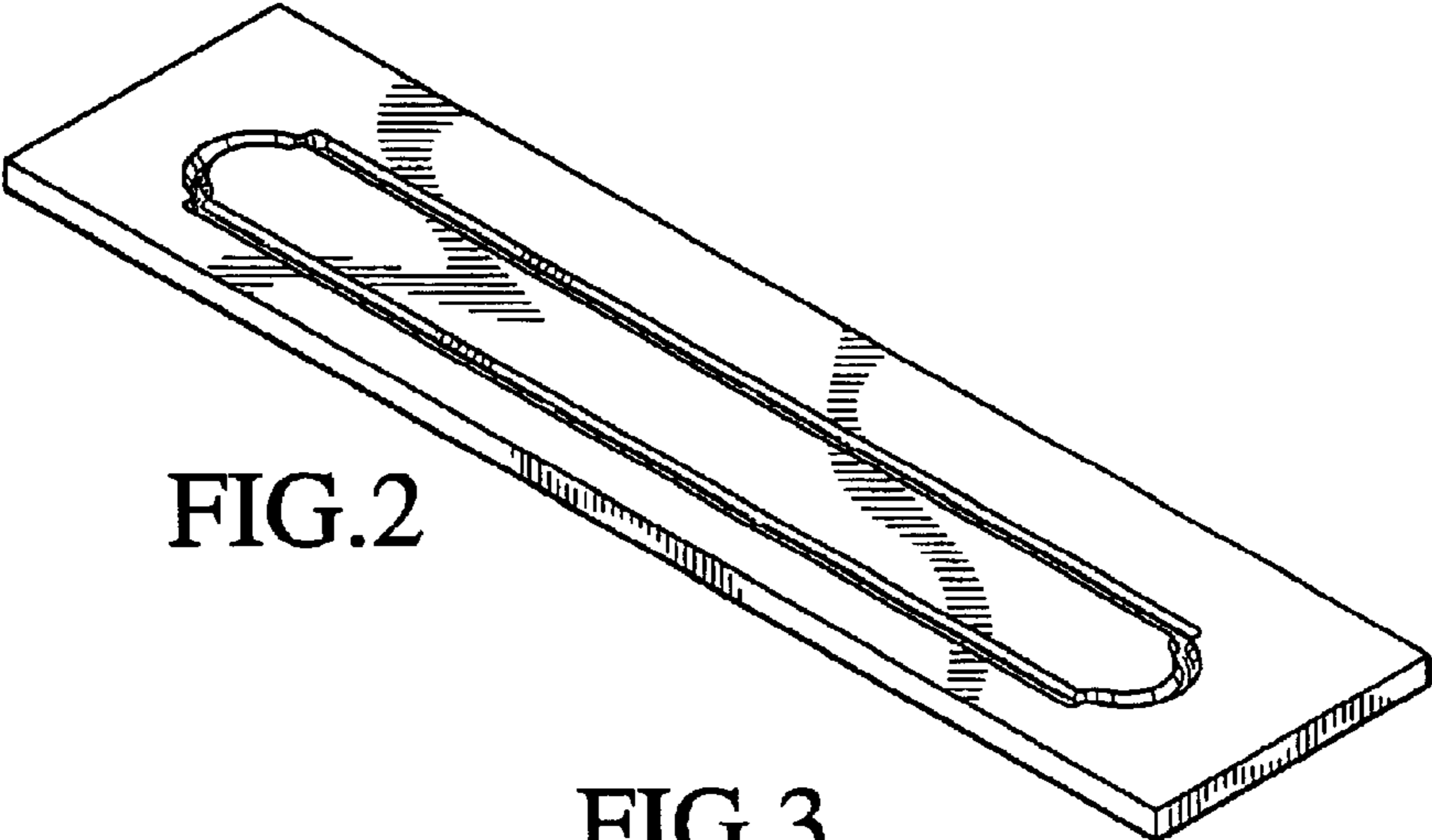


FIG. 2

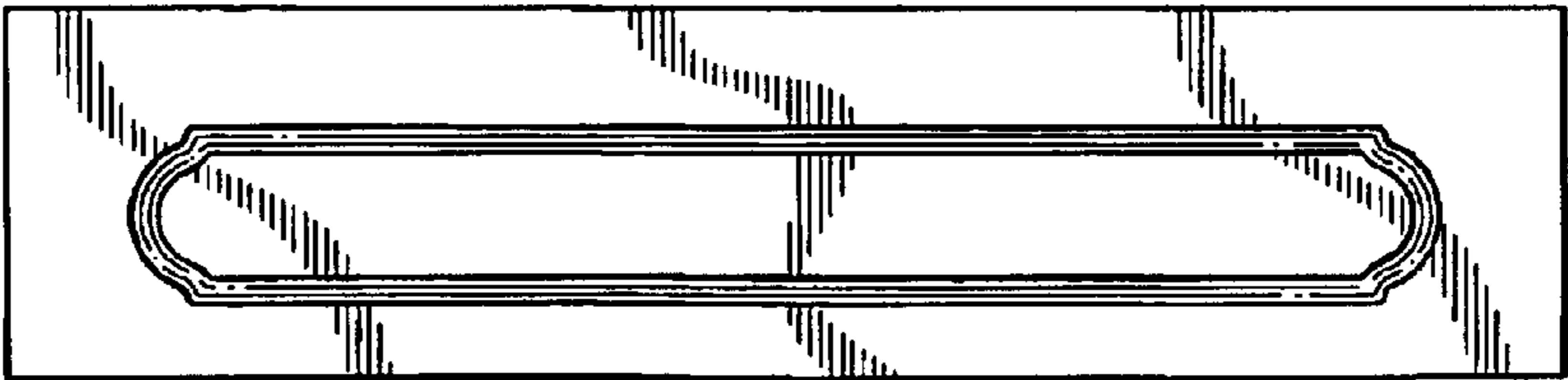


FIG. 3