

US00D500852S

(12) **United States Design Patent**  
**Harris et al.**

(10) **Patent No.:** **US D500,852 S**  
(45) **Date of Patent:** **\*\* Jan. 11, 2005**

(54) **CONTAINER FOR PERCUTANEOUS PROBES**

(75) Inventors: **John F. Harris**, Bellevue, WA (US);  
**Paul C. Leonard**, Woodinville, WA (US)

(73) Assignee: **Meagan Medical, Inc.**, Reno, NV (US)

(\*\*) Term: **14 Years**

(21) Appl. No.: **29/148,946**

(22) Filed: **Sep. 28, 2001**

(51) **LOC (7) Cl.** ..... **24-02**

(52) **U.S. Cl.** ..... **D24/121; D24/146**

(58) **Field of Search** ..... D24/146, 147, D24/227, 229, 121, 128, 127; D3/203; D9/410, 421, 341, 346, 348, 424, 414, 432, 429; 206/471, 499, 486, 461, 438, 366, 369, 210, 558, 363, 223, 563, 569, 470, 571, 557, 564, 562; 229/123, 123.1, 123.2, 406, 203, 122.2

(56) **References Cited**

**U.S. PATENT DOCUMENTS**

2,917,216 A \* 12/1959 Despres ..... 229/406

4,811,847 A \* 3/1989 Reif et al. .... 206/571  
4,954,239 A \* 9/1990 Mueller ..... 206/571  
D450,240 S \* 11/2001 Haag et al. .... D9/416  
6,398,018 B1 \* 6/2002 Livesley et al. .... 206/210  
2003/0168370 A1 \* 9/2003 Merboth et al. .... 206/438

\* cited by examiner

*Primary Examiner*—Ian Simmons

(74) *Attorney, Agent, or Firm*—Blank Rome LLP

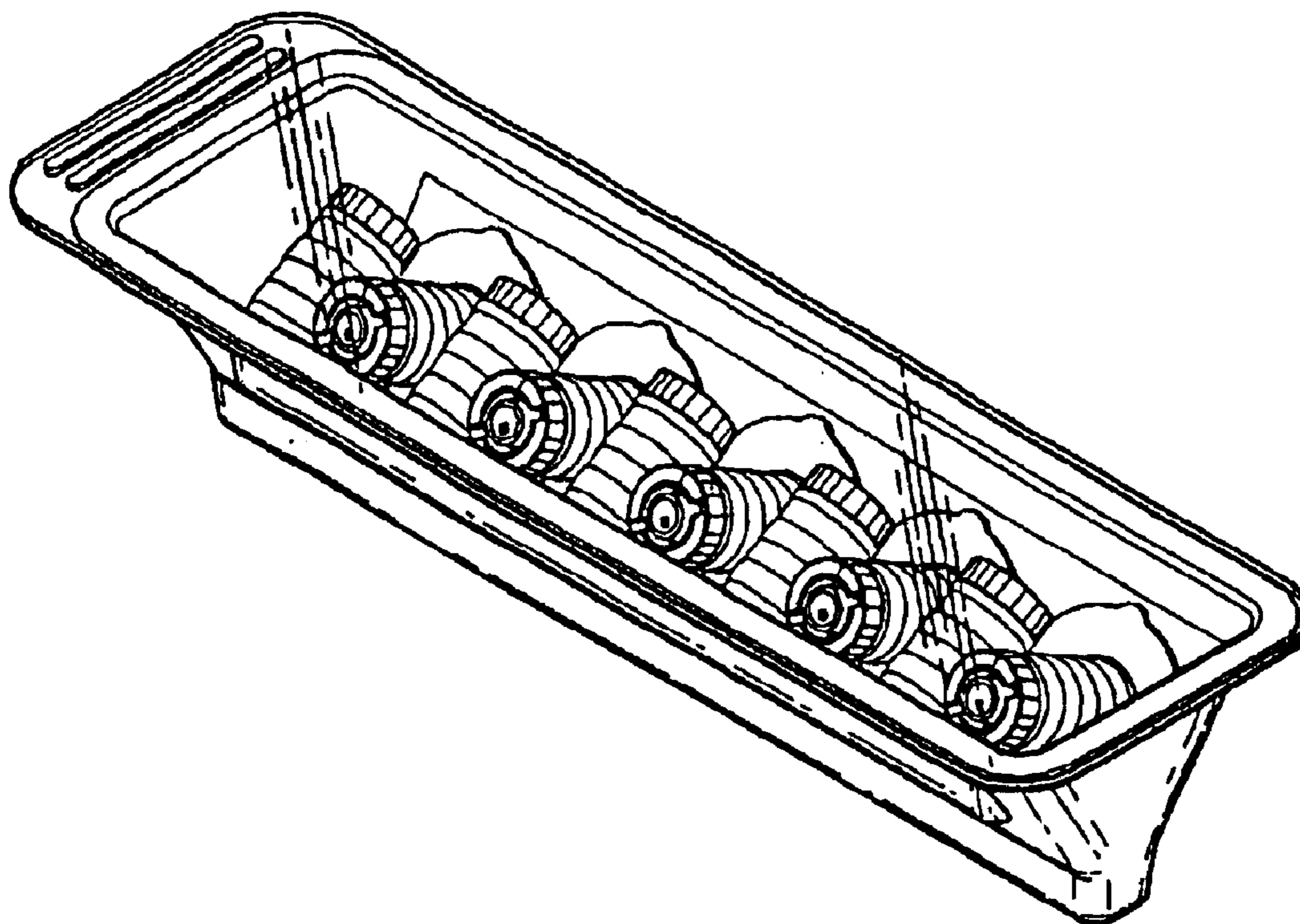
(57) **CLAIM**

The ornamental design for a container for percutaneous probes, as shown and described.

**DESCRIPTION**

FIG. 1 is a top, right, front isometric view of a container for percutaneous probes showing our new design; FIG. 2 is a top plan view thereof; FIG. 3 is a bottom plan view thereof; FIG. 4 is a right side elevational view thereof; FIG. 5 is a left side elevational view thereof; FIG. 6 is a front elevational view thereof; and, FIG. 7 is a rear elevational view thereof.

**1 Claim, 3 Drawing Sheets**



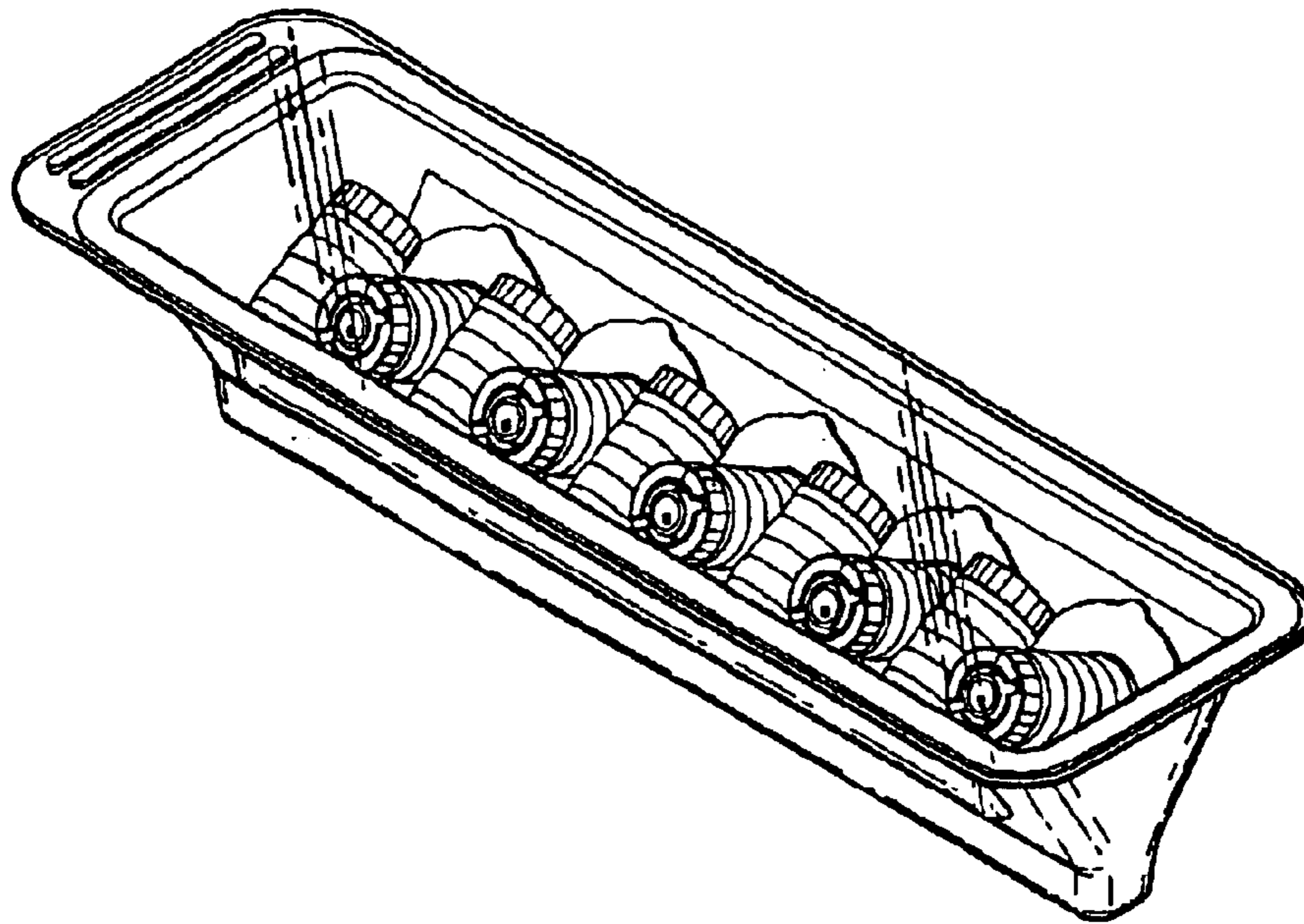


FIG. 1

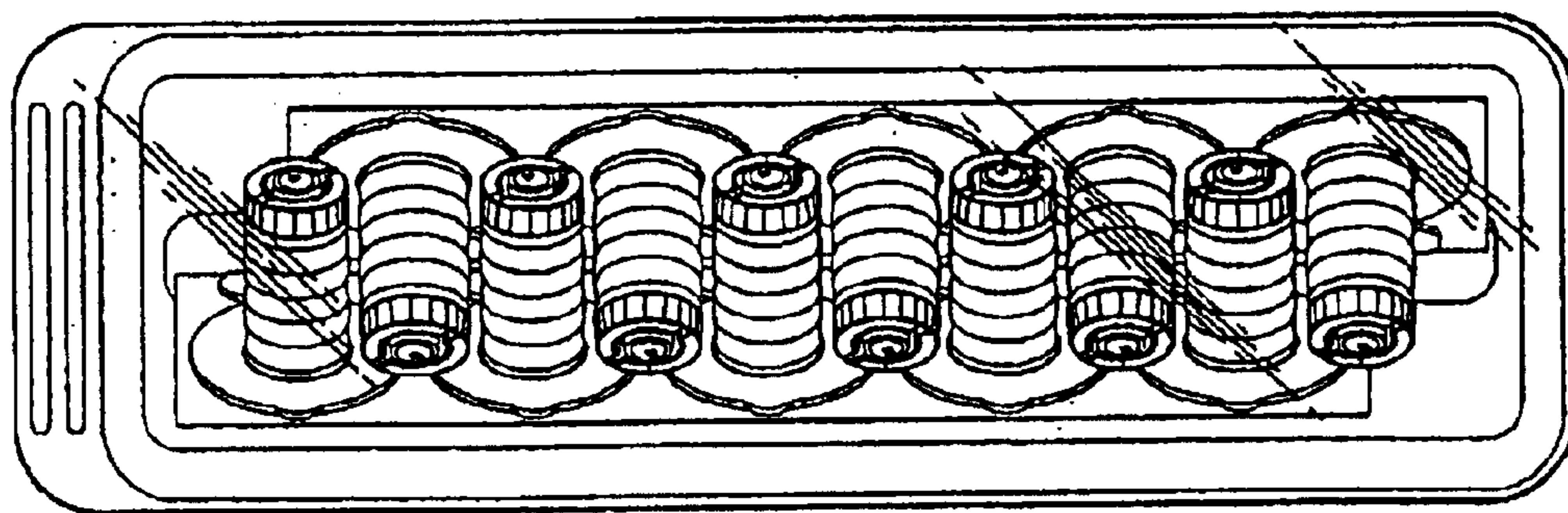


FIG. 2

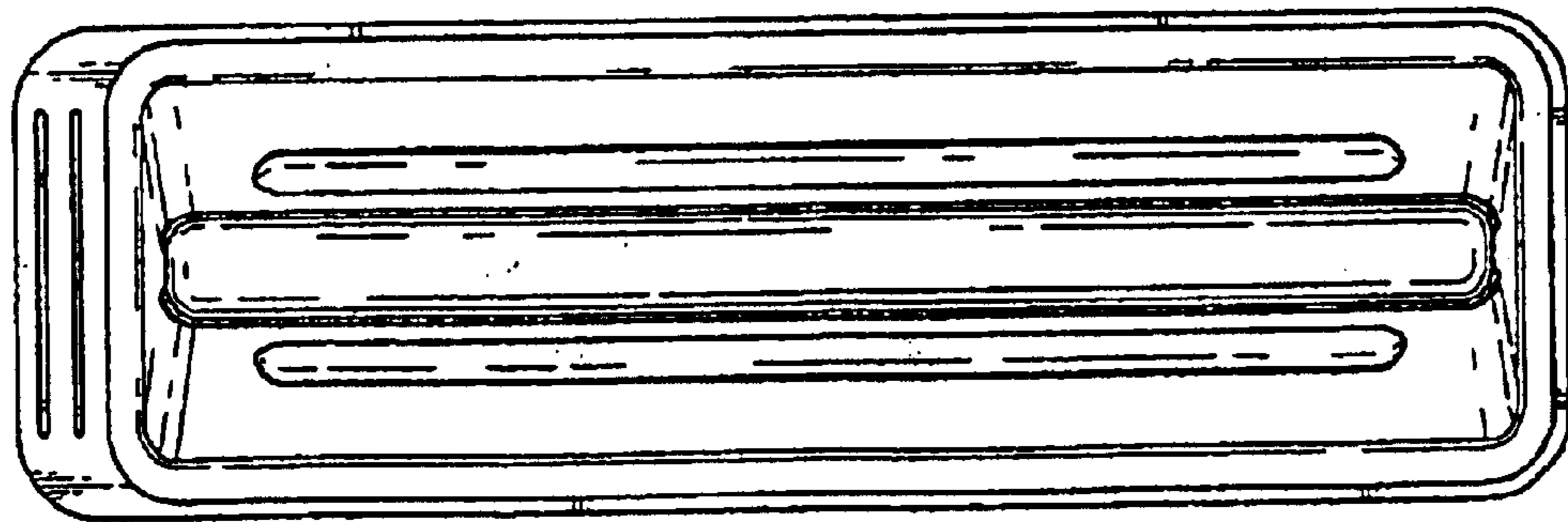
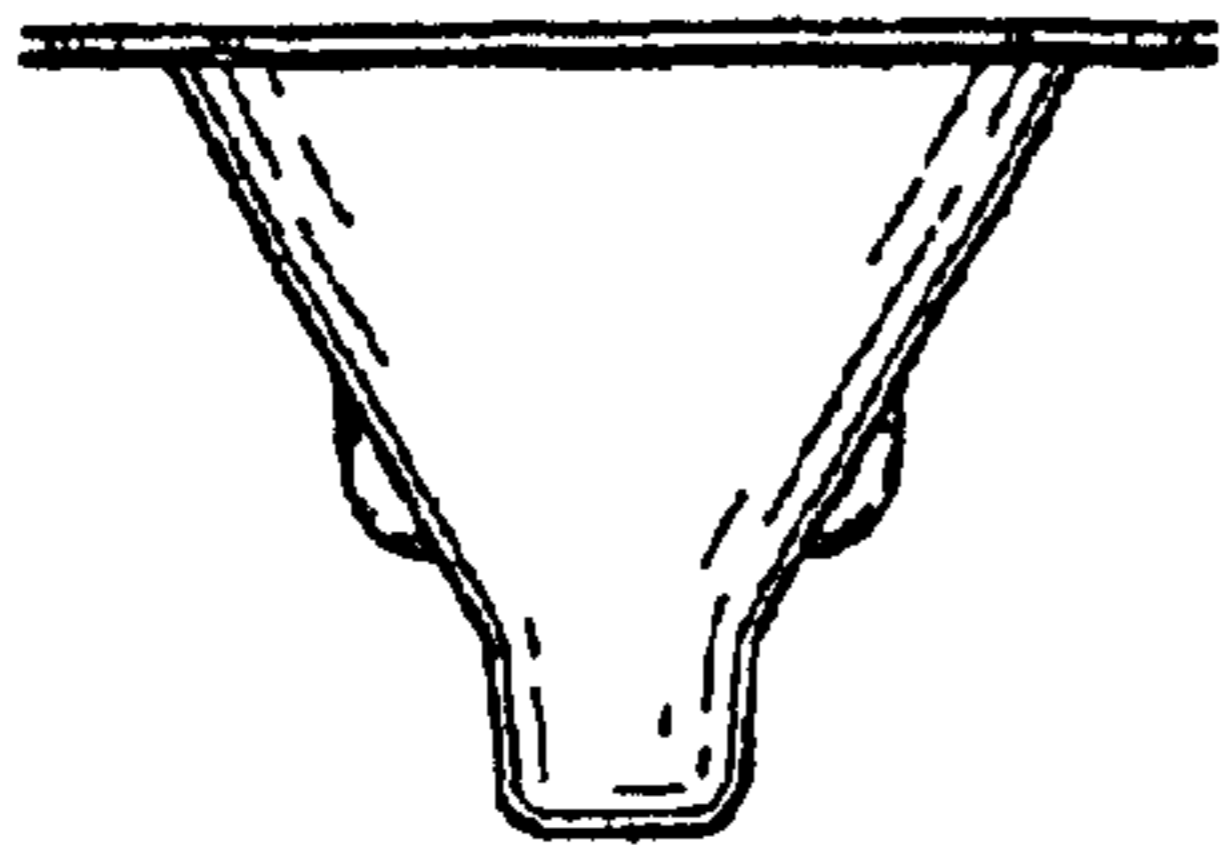
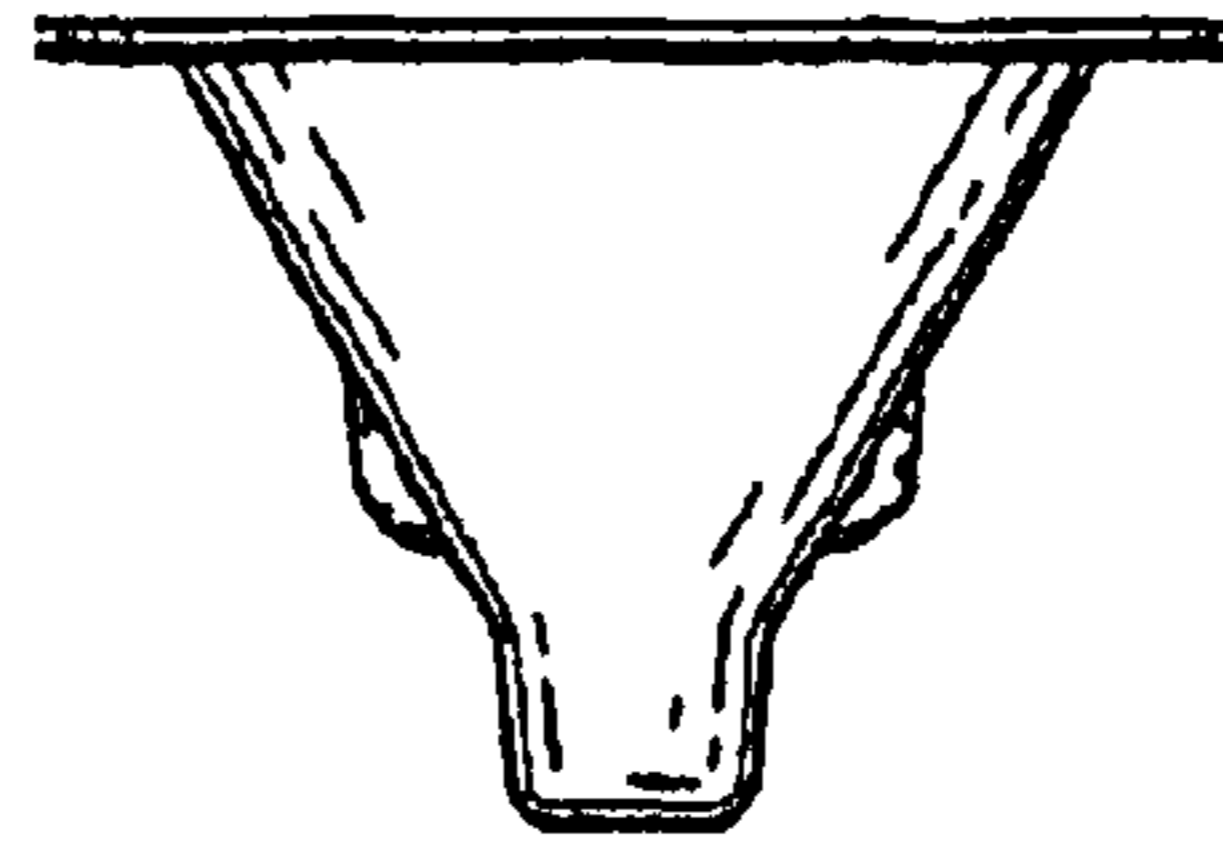


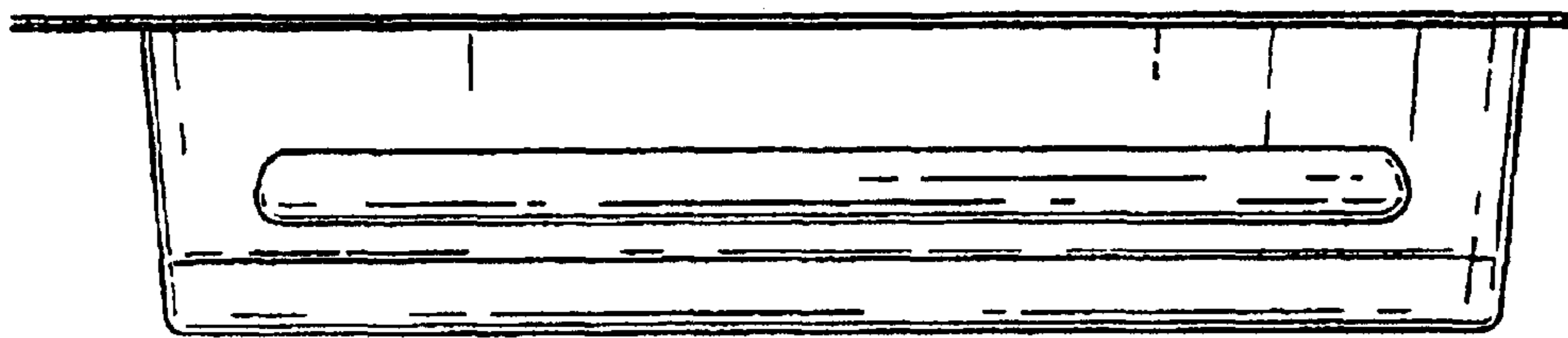
FIG. 3



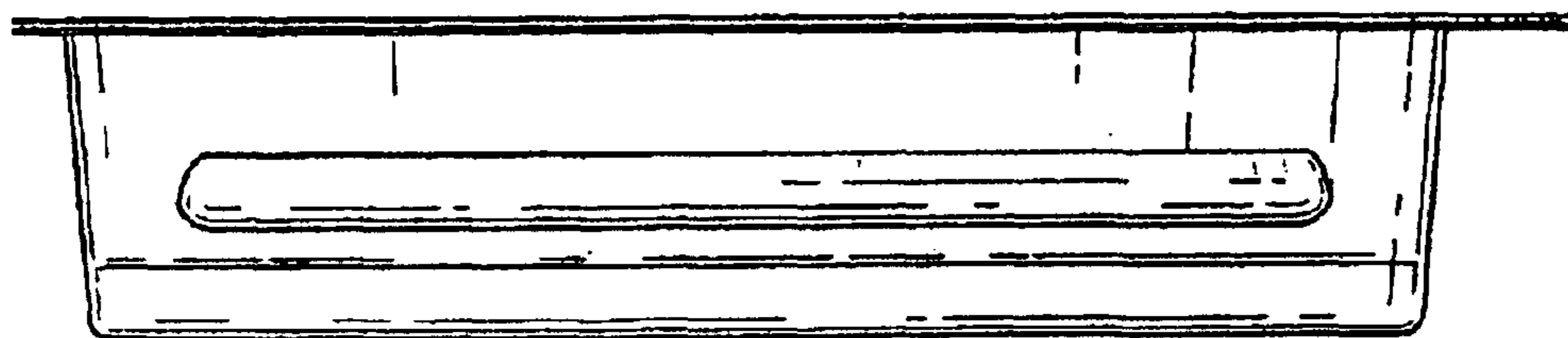
**FIG. 4**



**FIG. 5**



**FIG. 6**



**FIG. 7**