

US00D500851S

(12) **United States Design Patent**  
**Graneto**

(10) **Patent No.: US D500,851 S**  
(45) **Date of Patent: \*\* Jan. 11, 2005**

(54) **ORAL HYGIENE SWAB**  
(75) Inventor: **Joseph A. Graneto**, Wildwood, MO  
(US)  
(73) Assignee: **Salus Corporation**, St. Louis, MO  
(US)  
(\*\*) Term: **14 Years**

5,458,563 A 10/1995 Stewart  
5,463,792 A 11/1995 Hogan et al.  
D405,175 S \* 2/1999 Stredic, III ..... D24/119  
6,129,547 A 10/2000 Cise et al.  
D435,101 S \* 12/2000 Graneto, III ..... D24/108  
6,238,213 B1 5/2001 Young et al.  
6,315,556 B1 11/2001 Stewart  
6,632,091 B1 10/2003 Cise et al.

\* cited by examiner

(21) Appl. No.: **29/199,304**  
(22) Filed: **Feb. 12, 2004**

*Primary Examiner*—Louis S. Zarfaz  
*Assistant Examiner*—Sally Shih  
(74) *Attorney, Agent, or Firm*—Armstrong Teasdale LLP

(51) **LOC (7) Cl.** ..... **24-02**  
(52) **U.S. Cl.** ..... **D24/119**  
(58) **Field of Search** ..... D24/119, 108,  
D24/116, 112, 124, 129, 176; 433/95, 902,  
119, 118, 214, 1, 2, 91; 604/3; D7/642,  
644, 653, 664; D4/104, 137; D32/32, 40,  
51-52; 15/159.1, 160, 244.4

(57) **CLAIM**

We claim the ornamental design for an oral hygiene swab, as shown and described.

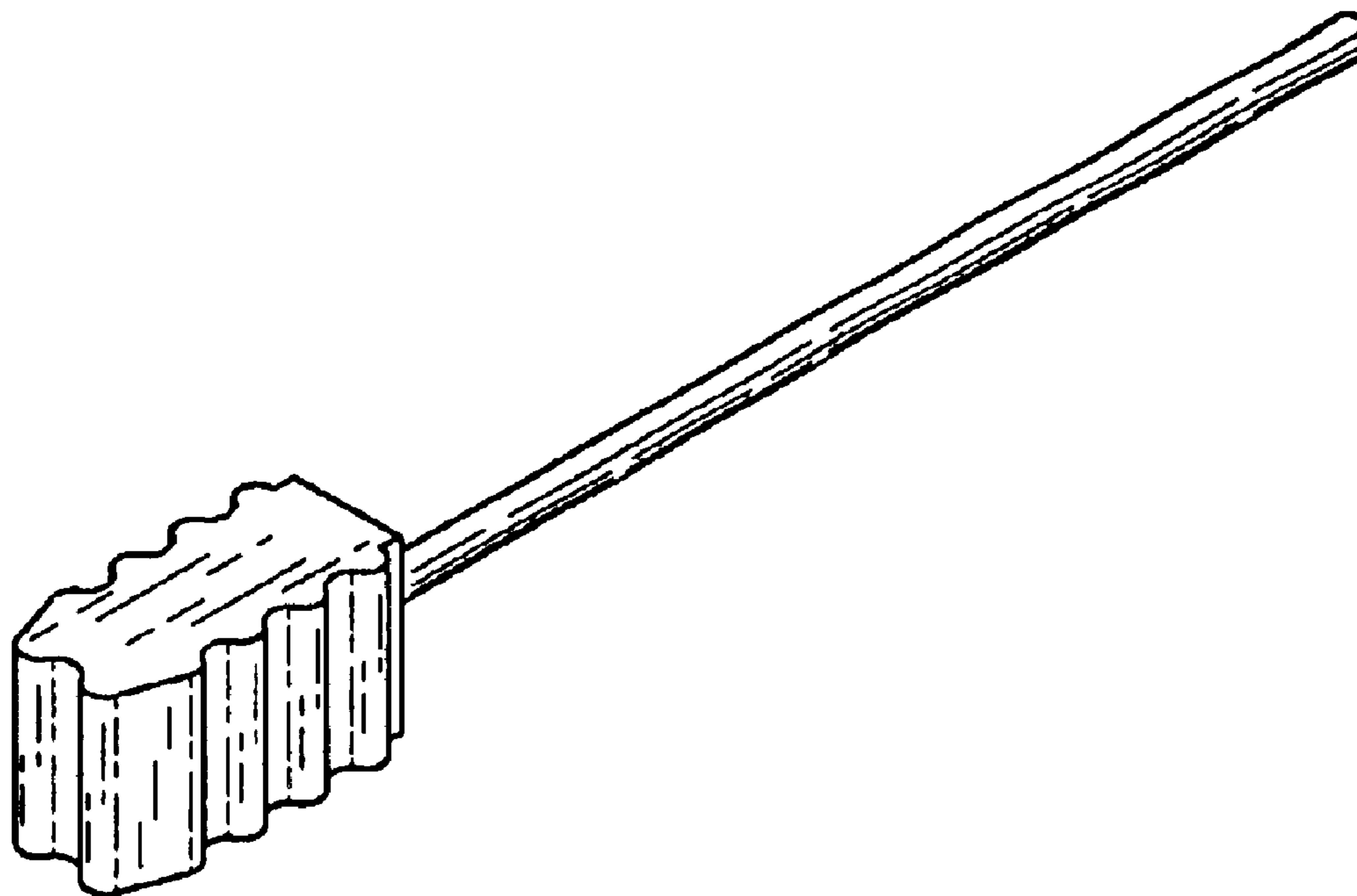
**DESCRIPTION**

FIG. 1 is a perspective view of an oral hygiene swab.  
FIG. 2 is a left end view of the oral hygiene swab shown in FIG. 1.  
FIG. 3 is a top view of the oral hygiene swab shown in FIG. 1.  
FIG. 4 is a side view of the oral hygiene swab shown in FIG. 1; and,  
FIG. 5 is a right end view of the oral hygiene swab shown in FIG. 1.

(56) **References Cited**  
**U.S. PATENT DOCUMENTS**

D282,698 S 2/1986 Newton, Jr.  
4,795,421 A 1/1989 Blasius, Jr. et al.  
4,963,046 A 10/1990 Eguchi  
5,062,413 A 11/1991 Bullard  
5,085,633 A \* 2/1992 Hanifl et al. .... 604/35  
5,151,094 A 9/1992 Hanifl  
D352,998 S \* 11/1994 Hanifl ..... D24/108

**1 Claim, 3 Drawing Sheets**



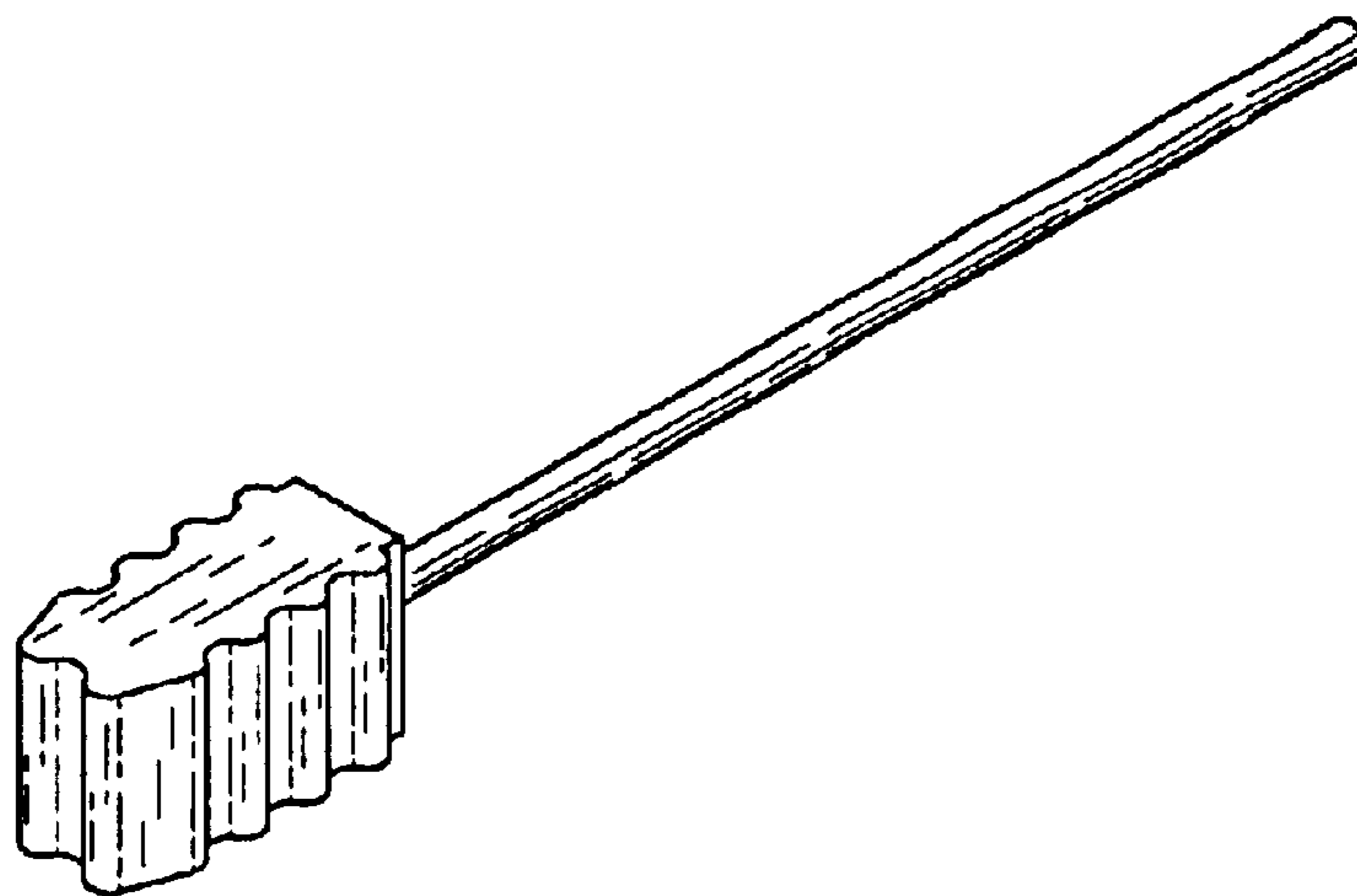


FIG. 1

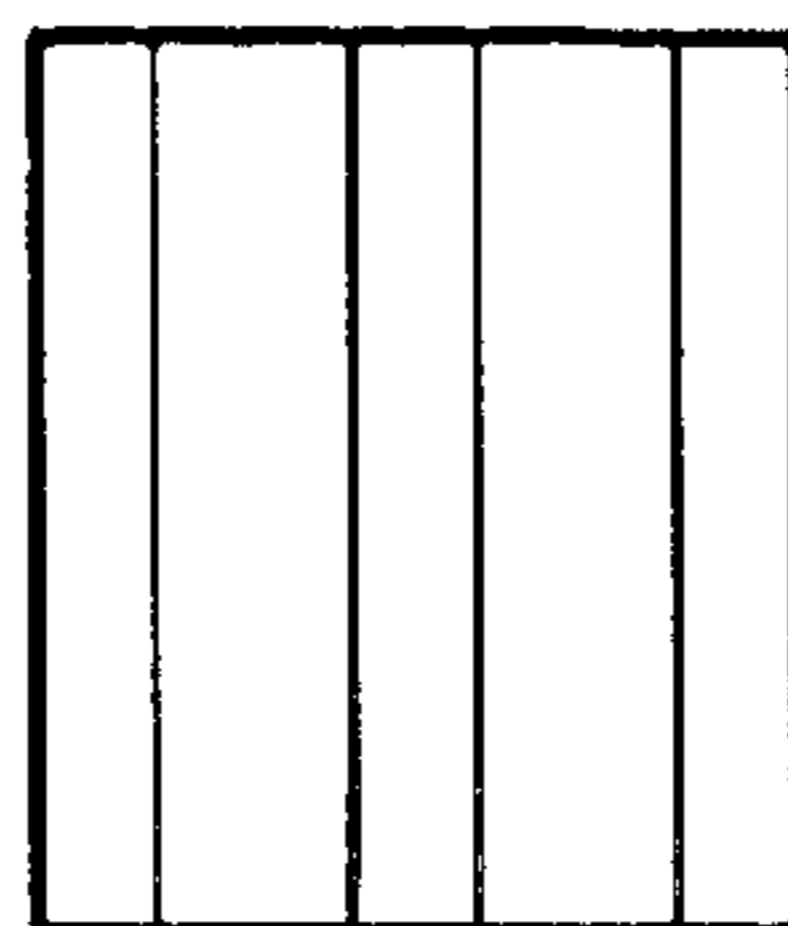


FIG. 2

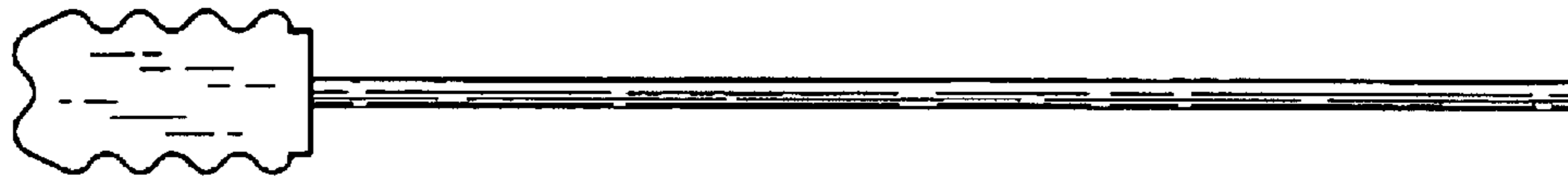


FIG. 3

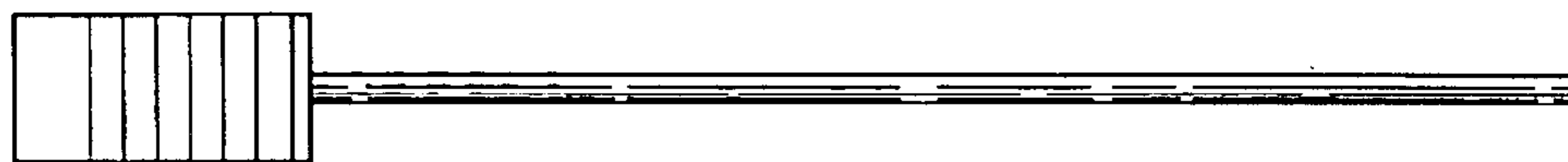


FIG. 4

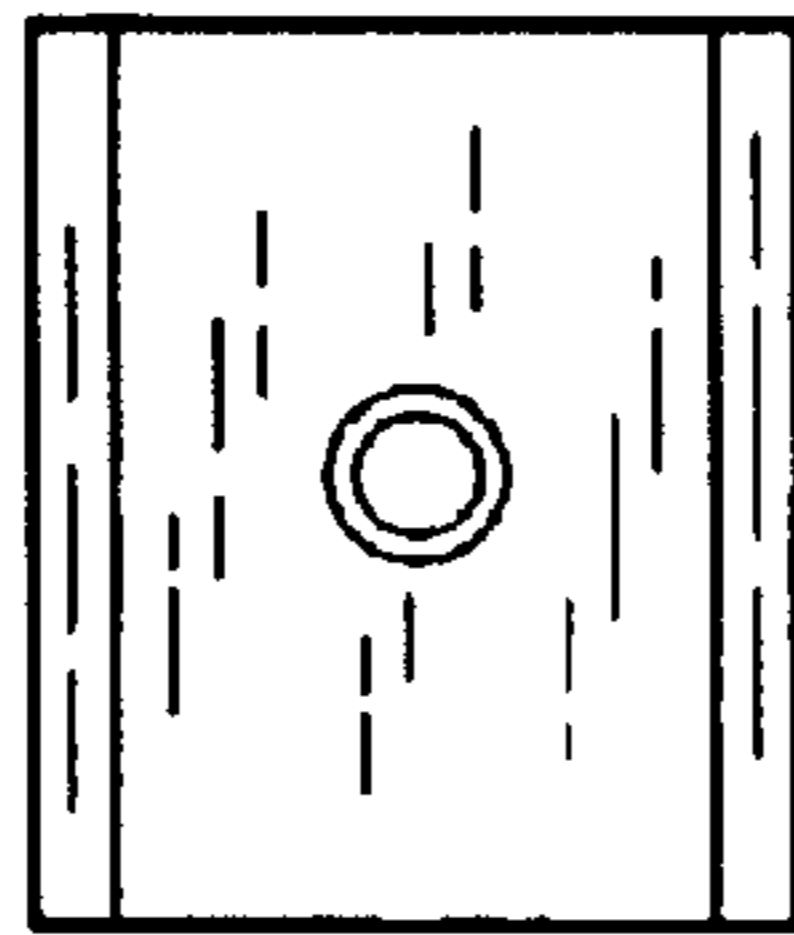


FIG. 5