

US00D500850S

(12) **United States Design Patent**
Clark et al.

(10) **Patent No.: US D500,850 S**
(45) **Date of Patent: ** Jan. 11, 2005**

(54) **MEDICINE DISPENSER**
(75) Inventors: **Malcolm Clark**, Barnet (GB); **Bruce Cameron Croft**, Cranbrook (GB); **George Calvin Davies**, Chomberg (CA)

4,192,360 A * 3/1980 Rodriquez D24/116
D262,942 S * 2/1982 DiPisa, Sr. D24/115
5,203,459 A * 4/1993 Wade 206/572
5,879,699 A * 3/1999 Lerner 424/439
5,975,305 A * 11/1999 Barger 206/572
2002/0104856 A1 * 8/2002 Clark et al. 222/633

(73) Assignee: **EU Pharma Limited**, Barnet (GB)
(**) Term: **14 Years**

* cited by examiner

(21) Appl. No.: **29/183,480**

Primary Examiner—Ian Simmons

(22) Filed: **Jun. 12, 2003**

(74) *Attorney, Agent, or Firm*—Bradley N. Ruben

Related U.S. Application Data

(63) Continuation-in-part of application No. 10/026,852, filed on Dec. 21, 2001.

(57) **CLAIM**

The ornamental design for a medicine dispenser, as shown and described.

(30) **Foreign Application Priority Data**

Mar. 8, 2000 (GB) PCT/GB00/00821
Dec. 13, 2002 (GB) 3009438

DESCRIPTION

(51) **LOC (7) Cl.** **24-02**
(52) **U.S. Cl.** **D24/116**
(58) **Field of Search** 206/572, 570,
206/438; 30/123.3, 324, 141; 426/115,
123, 439; D24/116, 115; D9/302; D7/653;
604/77, 502, 518, 310; 222/633, 630, 92

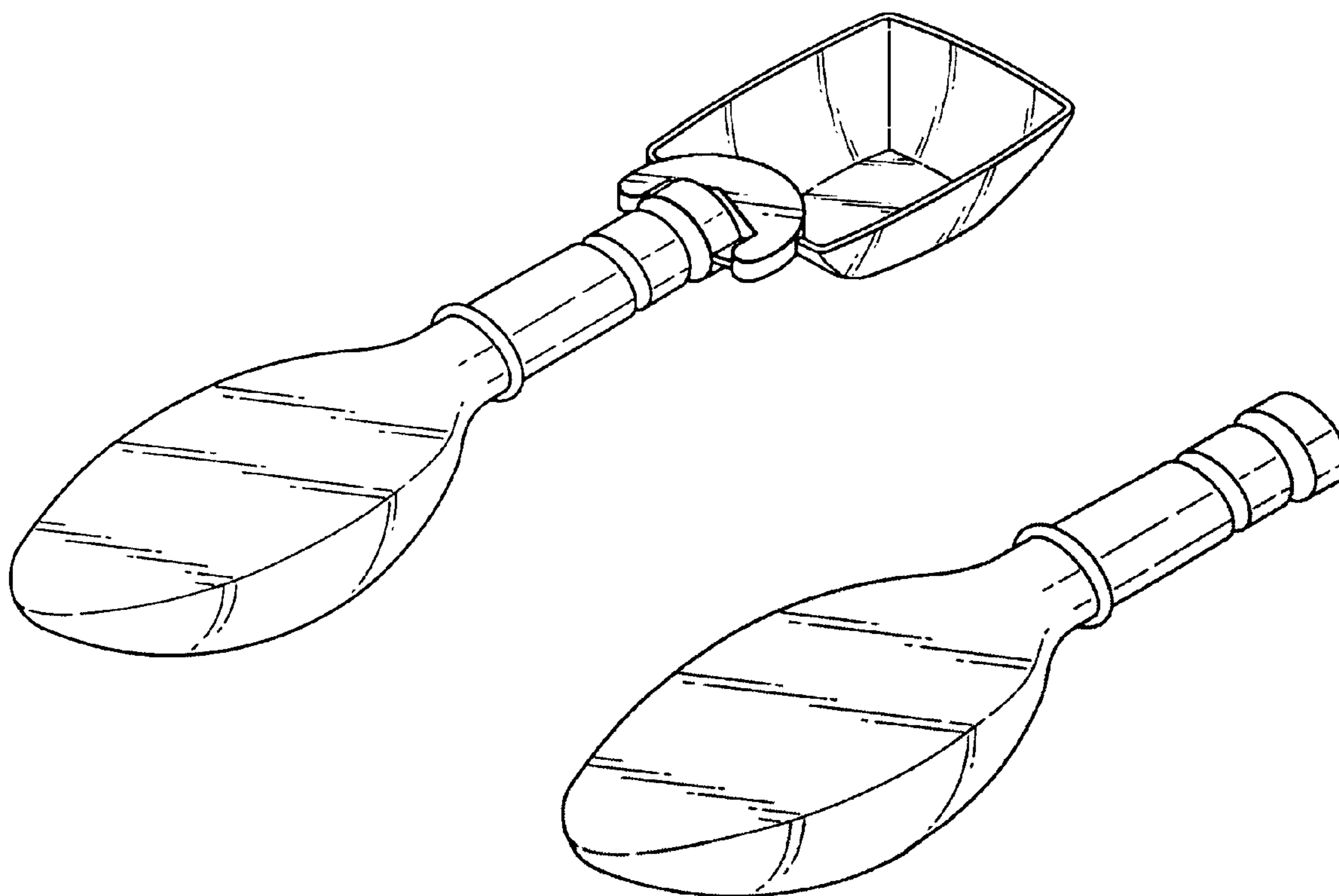
FIG. 1 is a top plan view of a medicine dispenser showing our new design having a cup portion;
FIG. 2 is an end elevation view thereof;
FIG. 3 is a side elevation view thereof;
FIG. 4 is a perspective view thereof;
FIG. 5 is a top plan view thereof without a cup portion.
FIG. 6 is an end elevation view thereof;
FIG. 7 is a side elevation view thereof; and,
FIG. 8 is a perspective view thereof.

(56) **References Cited**

U.S. PATENT DOCUMENTS

3,618,751 A * 11/1971 Rich 426/115

1 Claim, 2 Drawing Sheets



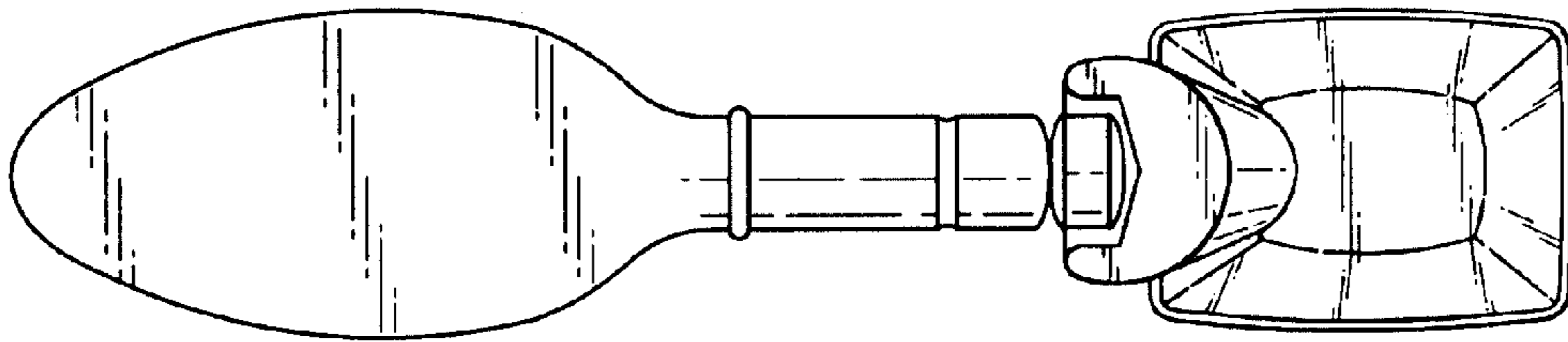


Fig. 1

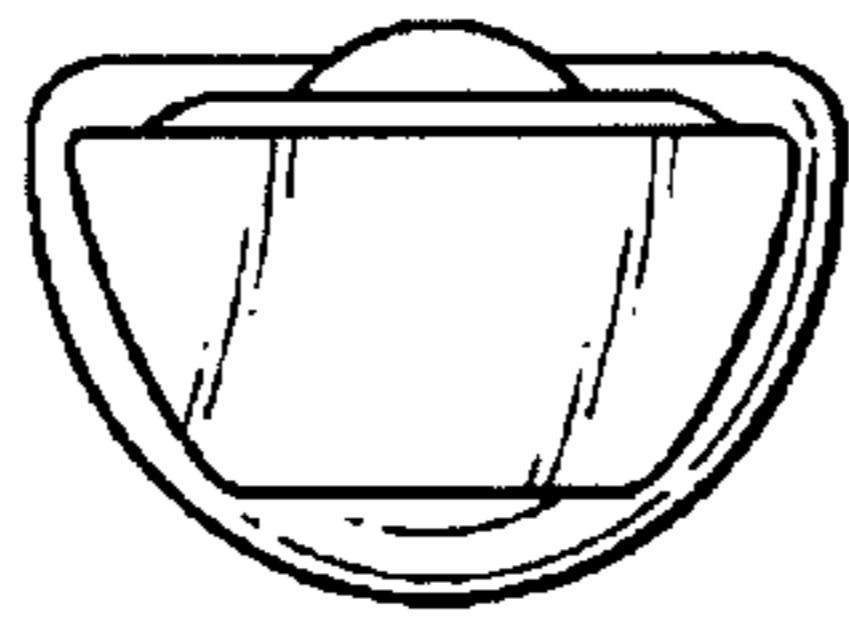


Fig. 2

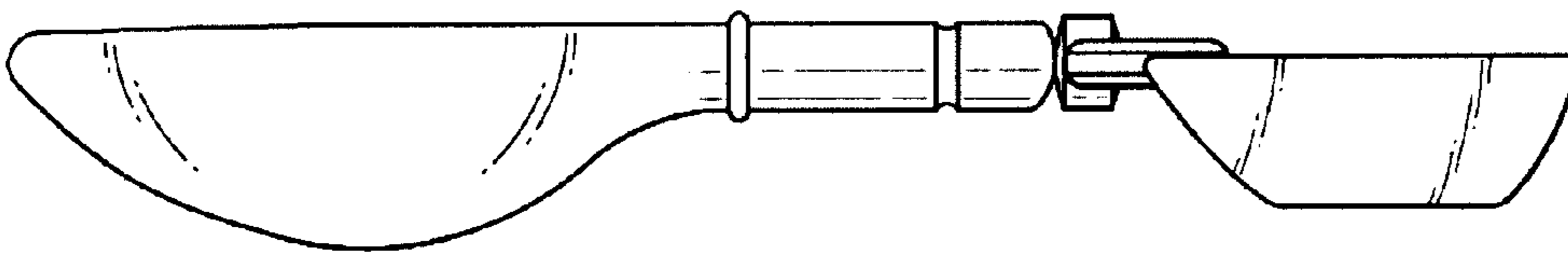


Fig. 3

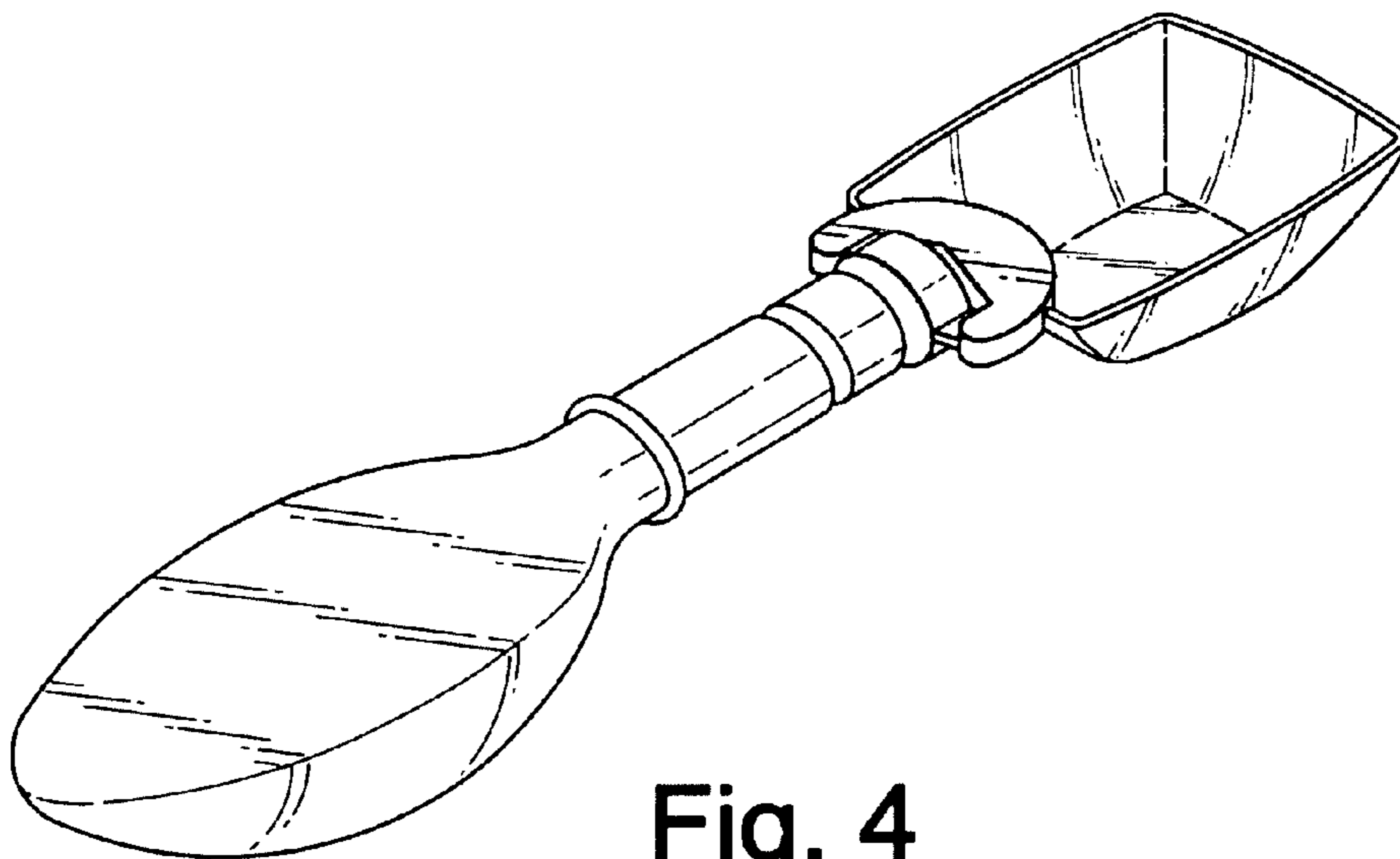


Fig. 4

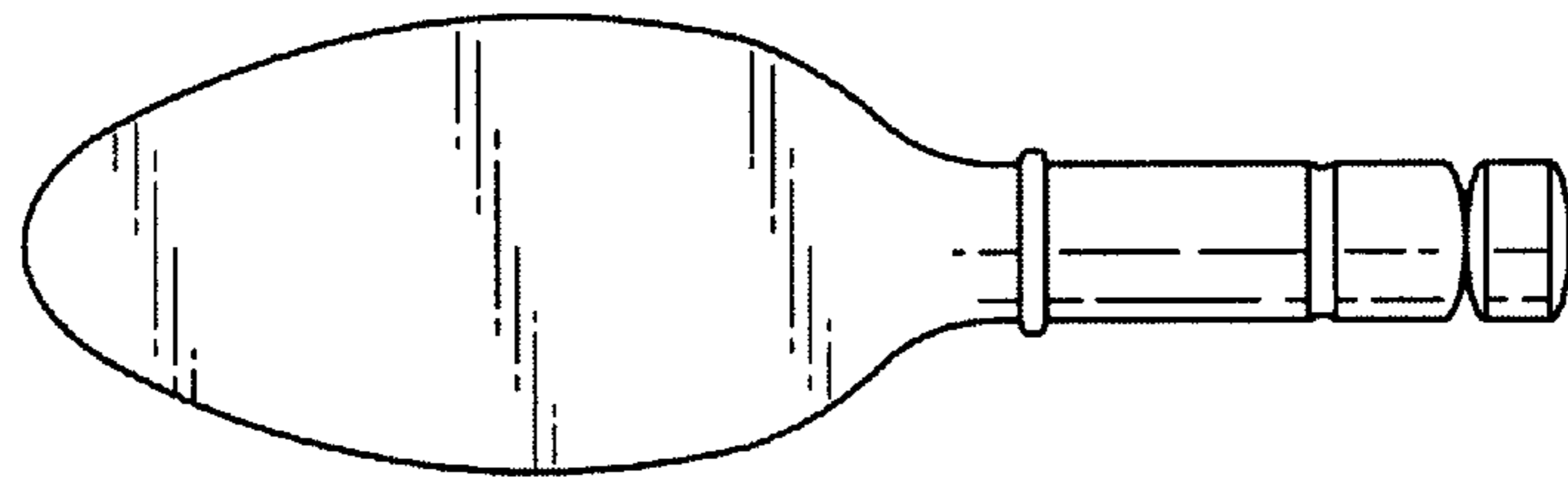


Fig. 5

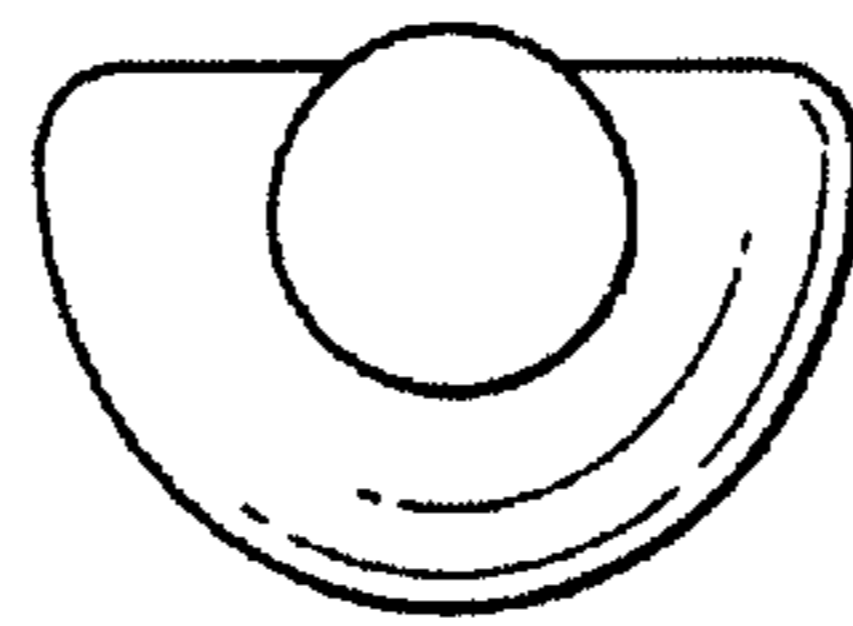


Fig. 6



Fig. 7

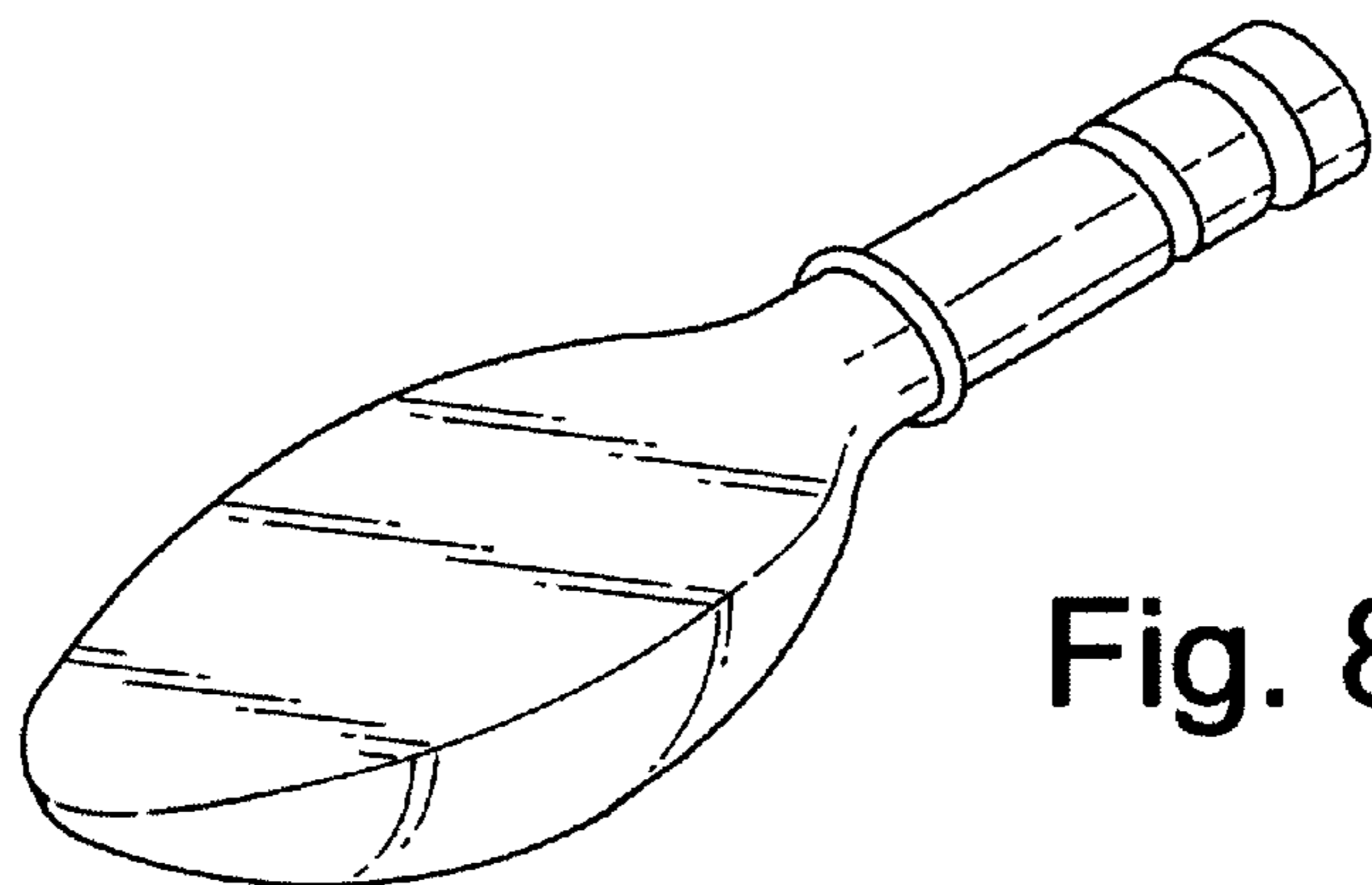


Fig. 8