

US00D500847S

(12) **United States Design Patent** (10) **Patent No.:** **US D500,847 S**
Manke et al. (45) **Date of Patent:** **** Jan. 11, 2005**

(54) **HUMIDIFIER**

(75) Inventors: **Darrin S. Manke**, North Andover, MA (US); **Matthew James Ibarra**, Malden, MA (US); **Chris A. Chang**, Medford, MA (US); **Stephen Paul Bourque**, Peterborough, NH (US)

(73) Assignee: **The Holmes Group, Inc.**, Milford, MA (US)

(**) Term: **14 Years**

(21) Appl. No.: **29/193,703**

(22) Filed: **Nov. 12, 2003**

(51) **LOC (7) Cl.** **23-04**

(52) **U.S. Cl.** **D23/356**

(58) **Field of Search** D23/355, 356, D23/364; 55/356, 472; 392/403, 405

(56) **References Cited**

U.S. PATENT DOCUMENTS

D242,459 S	11/1976	Gerst
D276,748 S	12/1984	Tsuji
D285,603 S	9/1986	Martin
D287,274 S	12/1986	Crowley et al.
D287,755 S	1/1987	Imai et al.
D288,596 S	3/1987	Young Se
D288,597 S	3/1987	Young Se
D296,129 S	6/1988	Goodrich et al.
D306,063 S	2/1990	Chiu et al.
D307,936 S	5/1990	Hirano et al.
D326,513 S	5/1992	Kanazawa
D330,074 S	10/1992	Wang et al.

(List continued on next page.)

OTHER PUBLICATIONS

Holmes manufacturer's literature concerning 1996-97 Humidifier Line; Place of Publication: United States; Date of Publication: Unknown.

Holmes manufacturer's literature concerning 1999 Humidifier Line; Place of Publication: United States; Date of Publication: Unknown.

(List continued on next page.)

Primary Examiner—Robin V. Taylor
(74) *Attorney, Agent, or Firm*—Hoffmann & Baron, LLP; Francis E. Marino

(57) **CLAIM**

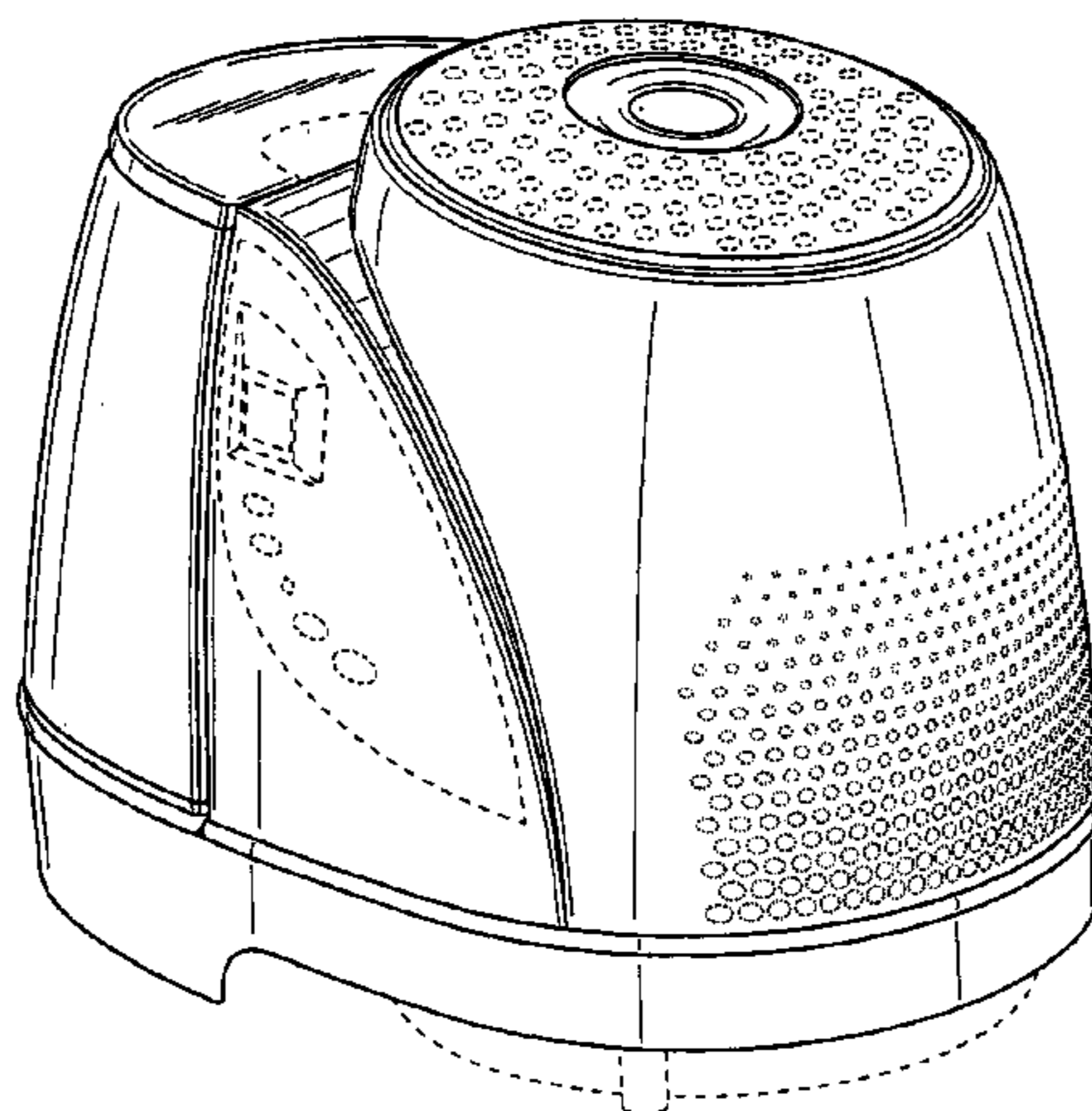
The ornamental design of an humidifier, as shown and described.

DESCRIPTION

FIG. 1 is a front perspective view of humidifier showing a first embodiment of our new design;
 FIG. 2 is a top plan view thereof;
 FIG. 3 is a front elevation view thereof;
 FIG. 4 is a right hand side elevation view thereof;
 FIG. 5 is a left hand side elevation view;
 FIG. 6 is a rear elevation view;
 FIG. 7 is a front perspective view of humidifier showing a second embodiment of our new design;
 FIG. 8 is a top plan view thereof;
 FIG. 9 is a front elevation view thereof;
 FIG. 10 is a right hand side elevation view thereof;
 FIG. 11 is a left hand side elevation view;
 FIG. 12 is a rear elevation view.
 FIG. 13 is a front perspective view of humidifier showing a third embodiment of our new design;
 FIG. 14 is a top plan view thereof;
 FIG. 15 is a front elevation view thereof;
 FIG. 16 is a right hand side elevation view thereof;
 FIG. 17 is a left hand side elevation view;
 FIG. 18 is a rear elevation view;
 FIG. 19 is a front perspective view of humidifier showing a fourth embodiment of our new design;
 FIG. 20 is a top plan view thereof;
 FIG. 21 is a front elevation view thereof;
 FIG. 22 is a right hand side elevation view thereof;
 FIG. 23 is a left hand side elevation view; and,
 FIG. 24 is a rear elevation view.

The bottom view of the embodiments form no part of the claimed design. The subject matter shown in broken lines forms no part of the claimed design.

1 Claim, 24 Drawing Sheets



U.S. PATENT DOCUMENTS

D340,510 S 10/1993 Wood et al.
D358,461 S 5/1995 Barker et al.
D358,874 S 5/1995 Cunning
D372,078 S 7/1996 Cunning
D374,070 S 9/1996 Tomasiak et al.
D374,923 S 10/1996 Moore
D375,349 S 11/1996 Gonzales
D378,607 S 3/1997 Chiu et al.
D385,342 S 10/1997 Jane et al.
D386,576 S 11/1997 Wang et al.
D401,316 S 11/1998 Allen et al.
D402,744 S 12/1998 Zuege
D408,511 S 4/1999 Allen et al.
D421,109 S 2/2000 Wolfe
D425,975 S 5/2000 Wolfe
D431,642 S 10/2000 Rakocy
D431,643 S 10/2000 Krauss et al.
D431,861 S 10/2000 Krauss
D438,294 S 2/2001 Krauss et al.
D438,295 S 2/2001 Krauss

D438,296 S 2/2001 Krauss
D454,189 S 3/2002 Rakocy
D455,482 S 4/2002 Kraus
D456,069 S 4/2002 Pannozzo et al.
D475,772 S * 6/2003 Birsdel et al. D23/356
D483,458 S * 12/2003 Huang D23/356
D484,962 S * 1/2004 Best et al. D23/356
D487,503 S * 3/2004 Huang D23/356

OTHER PUBLICATIONS

Holmes 1999/2000 Competitive Grid for Humidifiers; Place of Publication: United States; Date of Publication: Unknown.

Holmes manufacturer's literature concerning 1997-98 Humidified Industry Line; Place of Publication: United States; Date of Publication: Unknown.

Holmes manufacturer's literature concerning 1999/2000 Humidifier Industry Line; Place of Publication: United States; Date of Publication: Unknown.

* cited by examiner

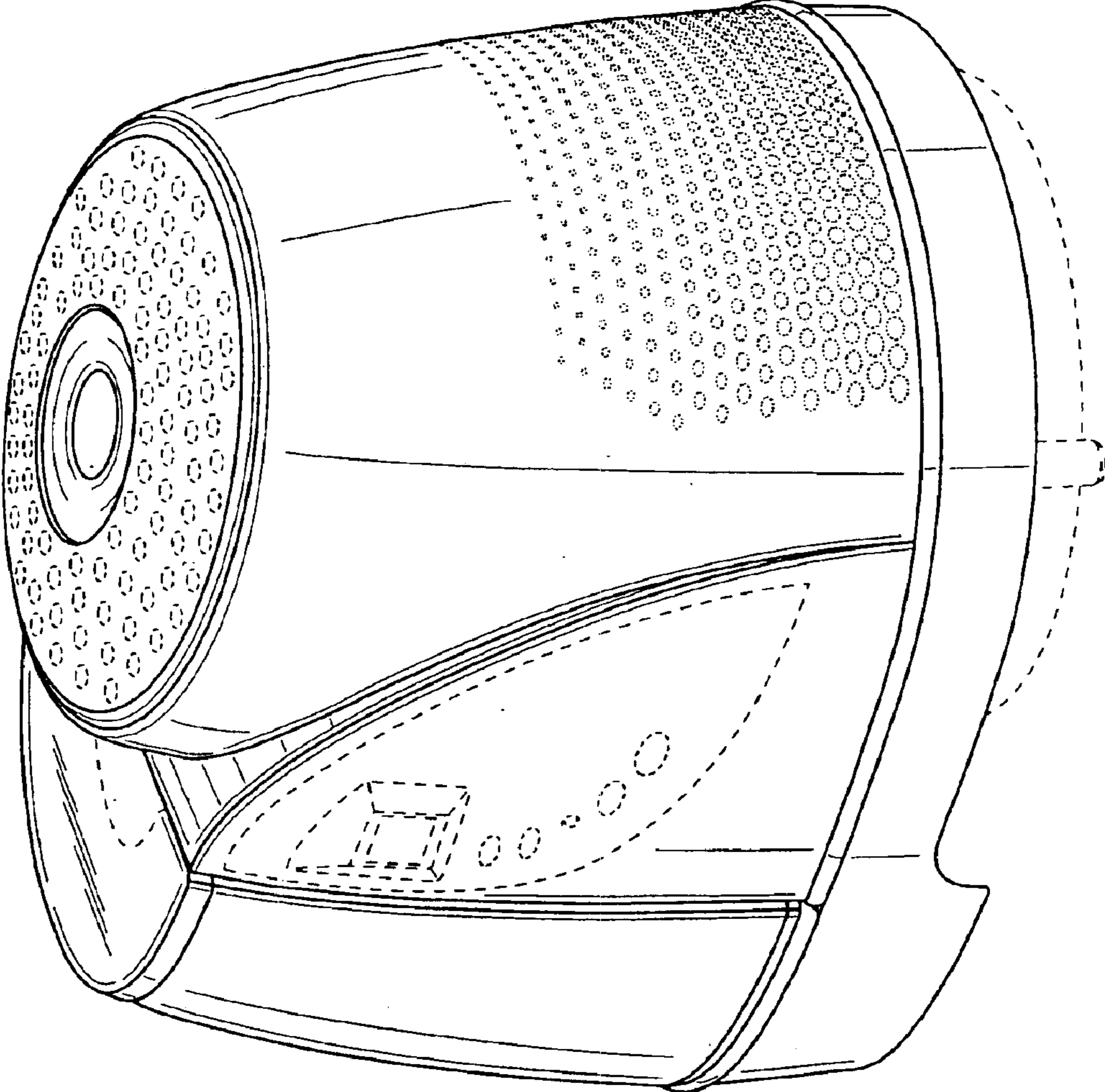


FIG. 1

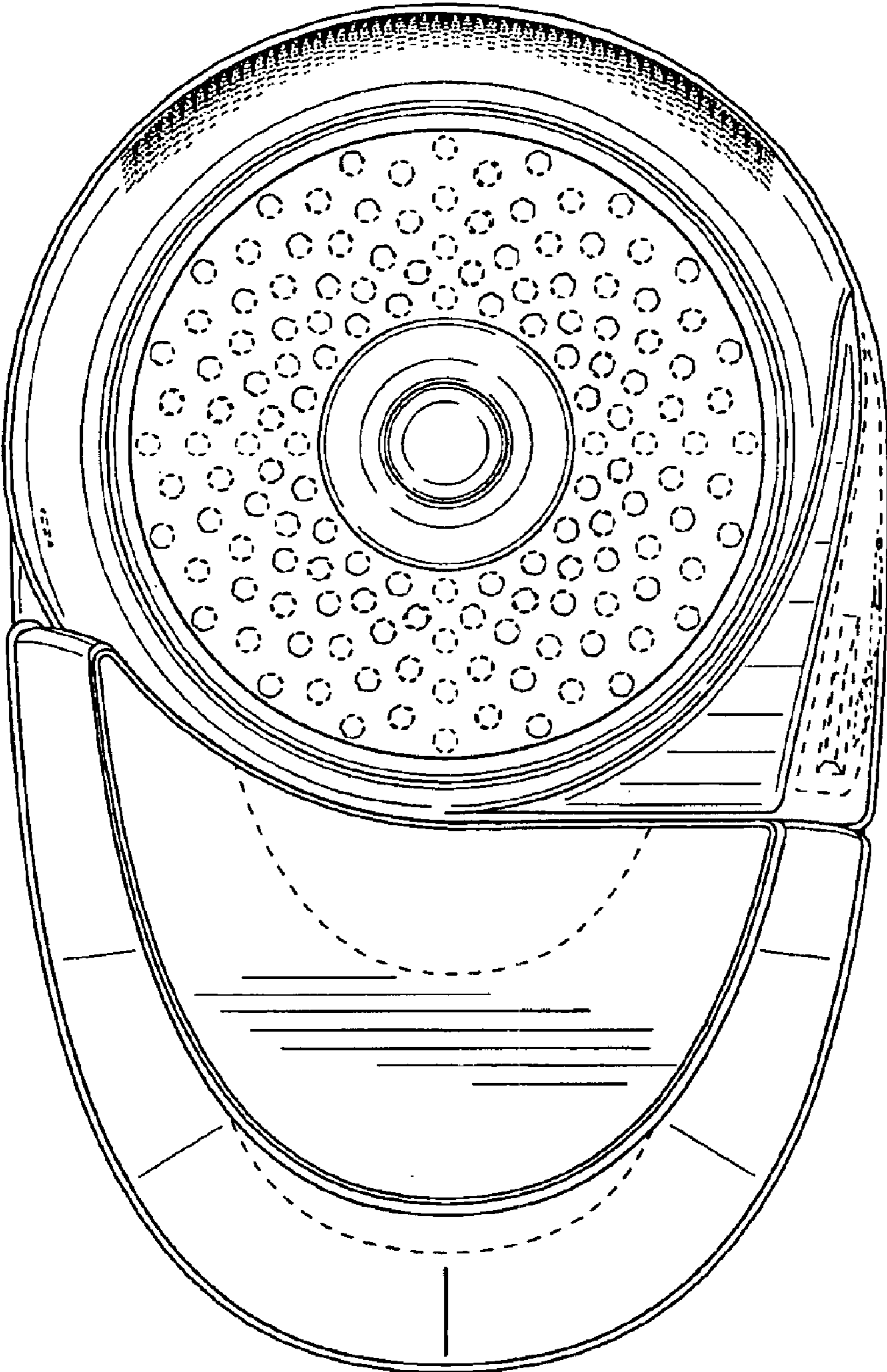


FIG. 2

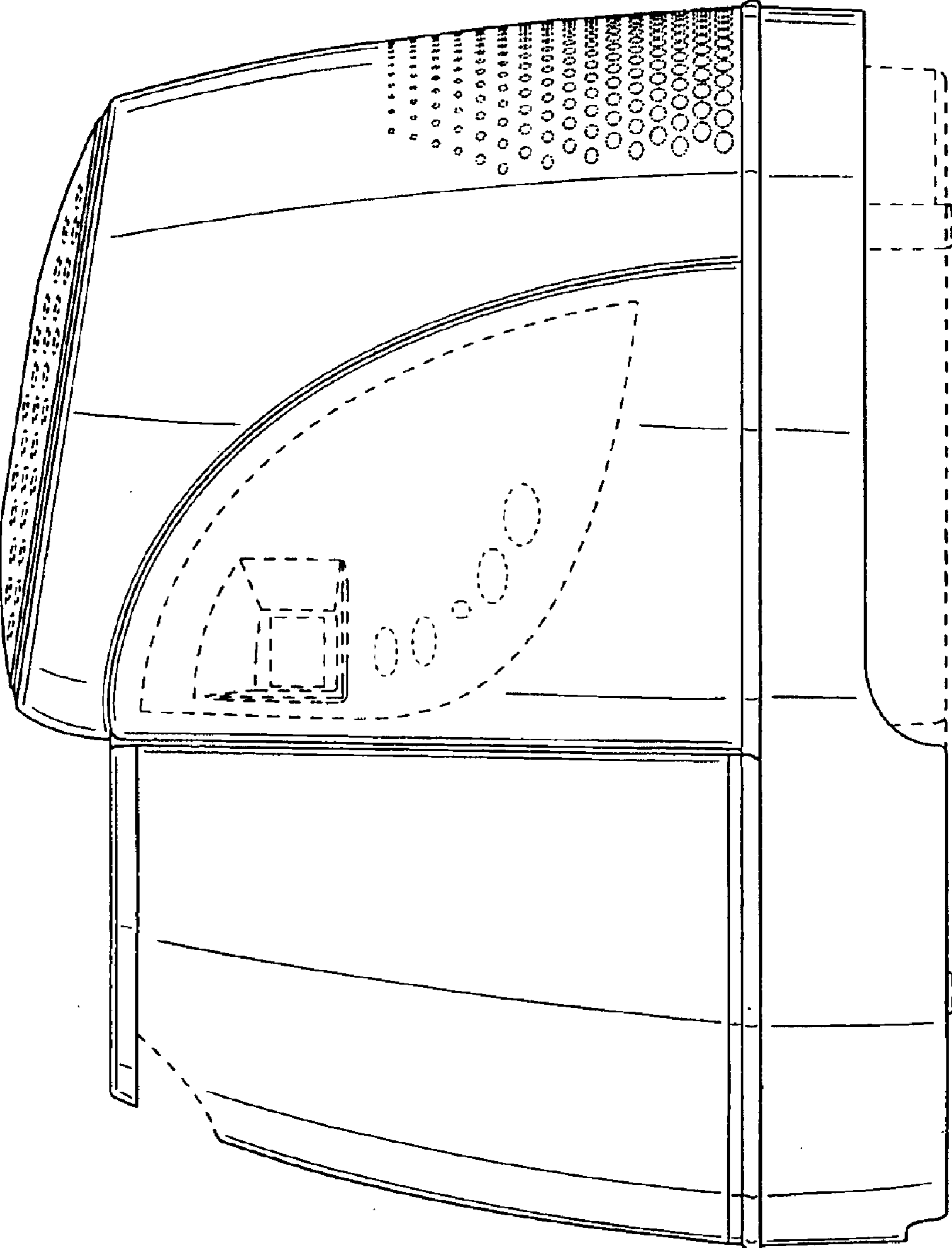


FIG. 3

FIG. 4

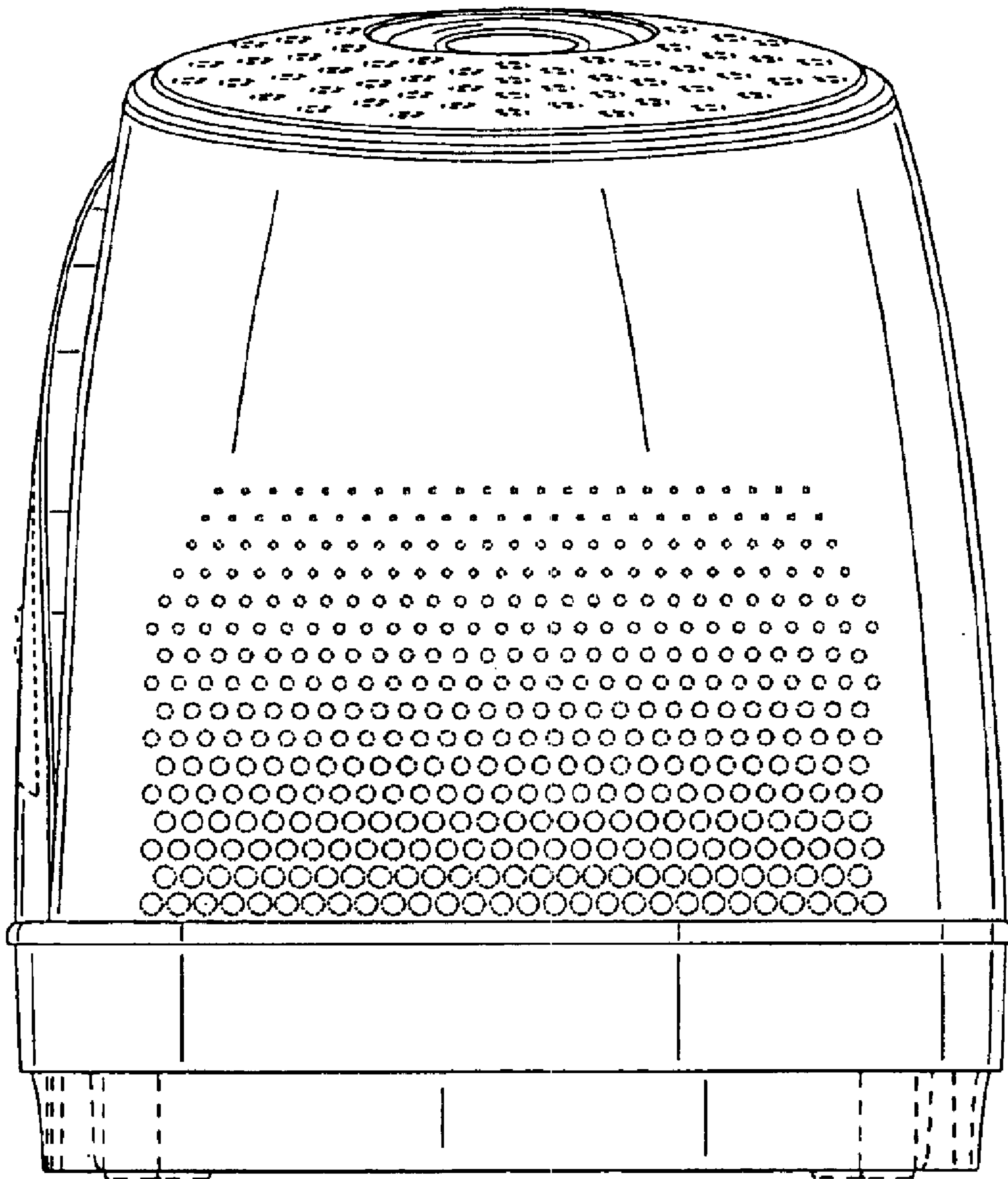
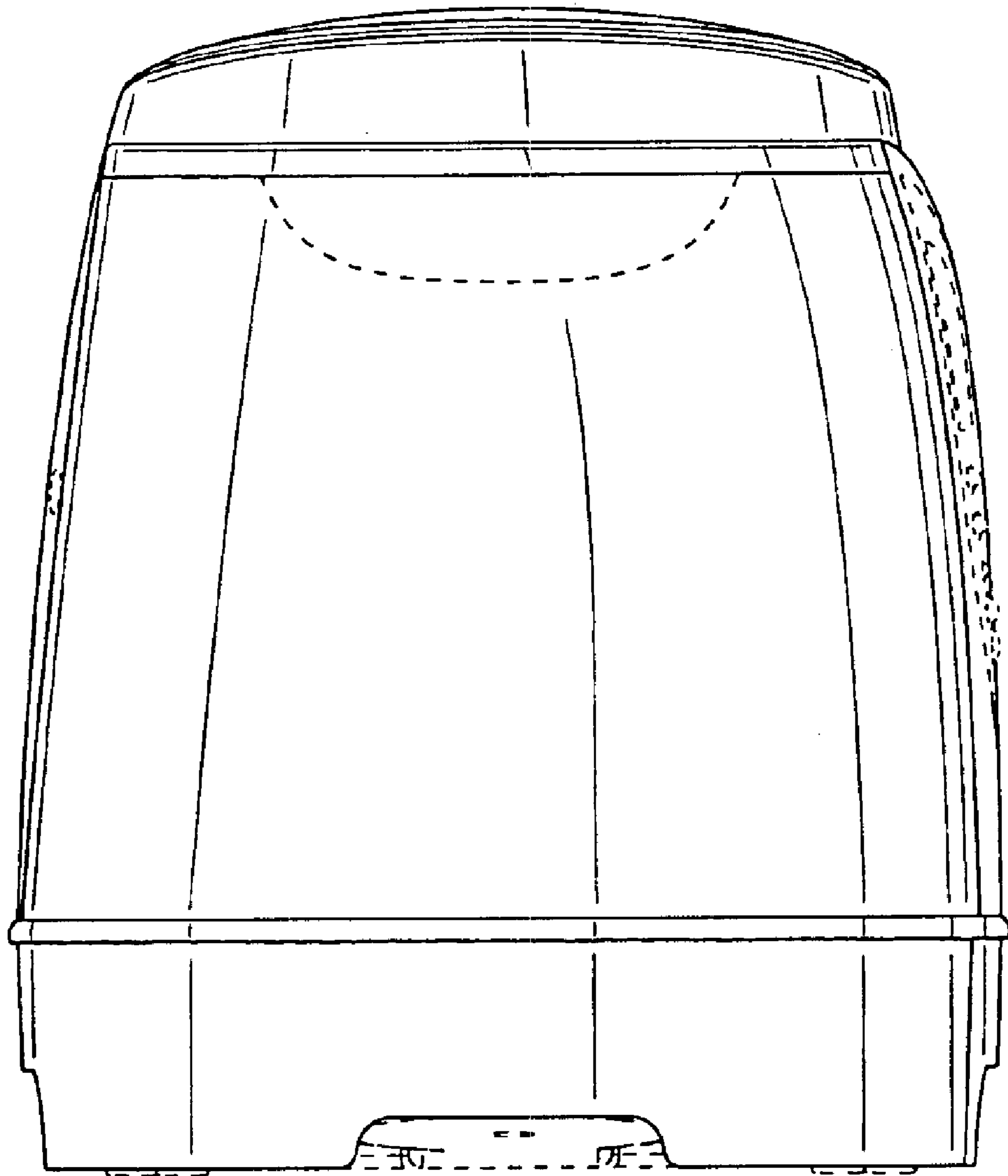


FIG. 5



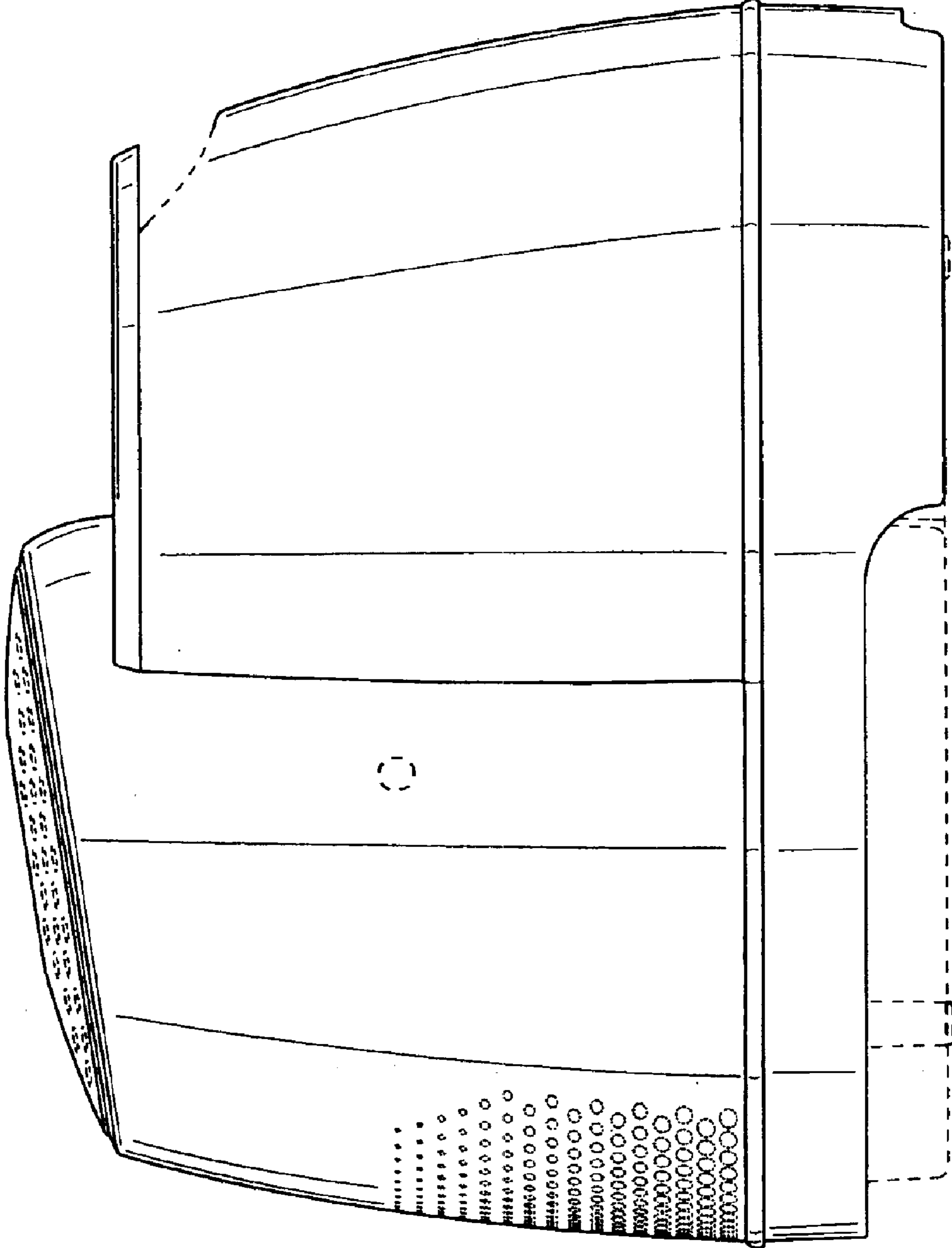


FIG. 6

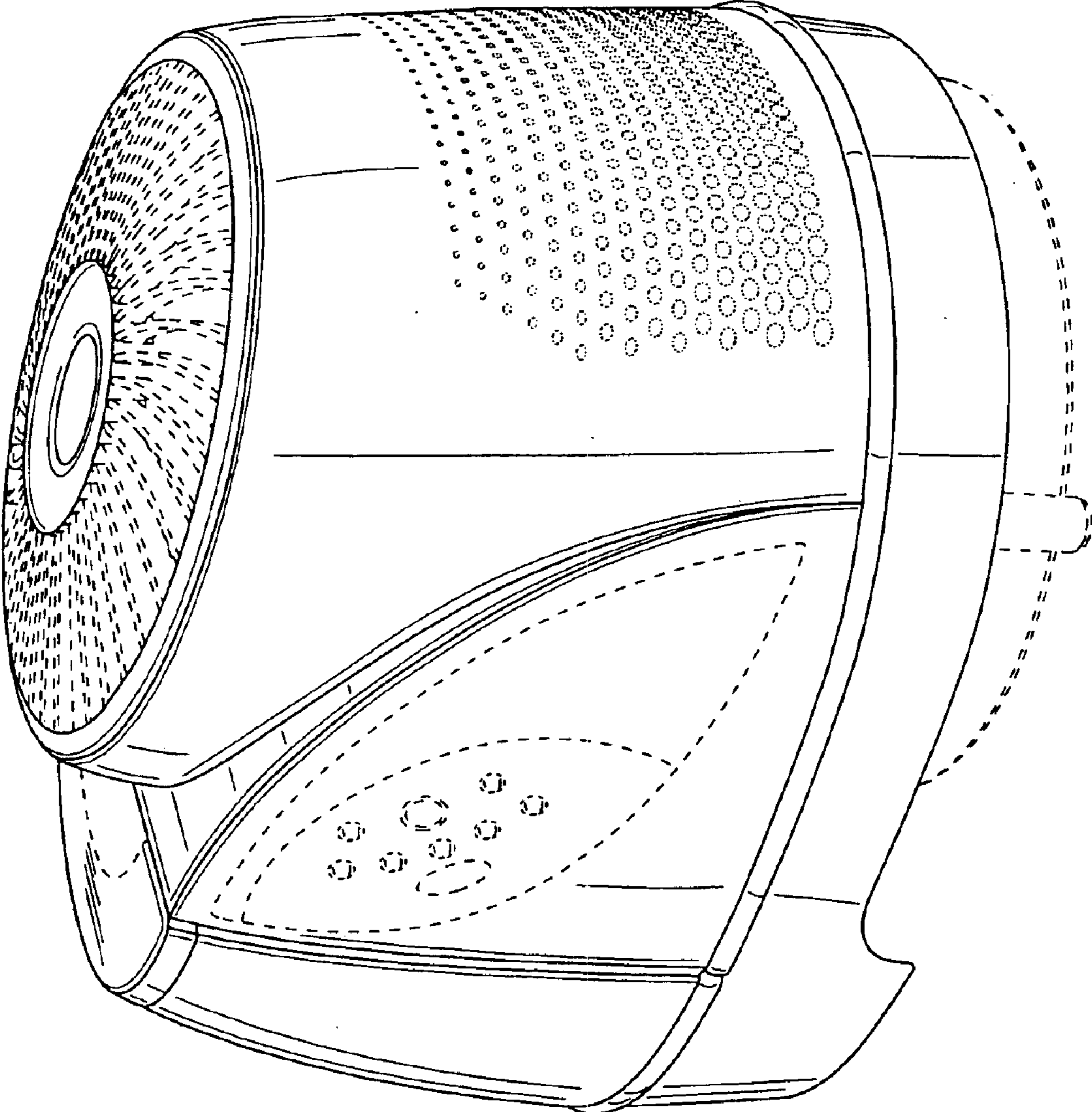


FIG. 7

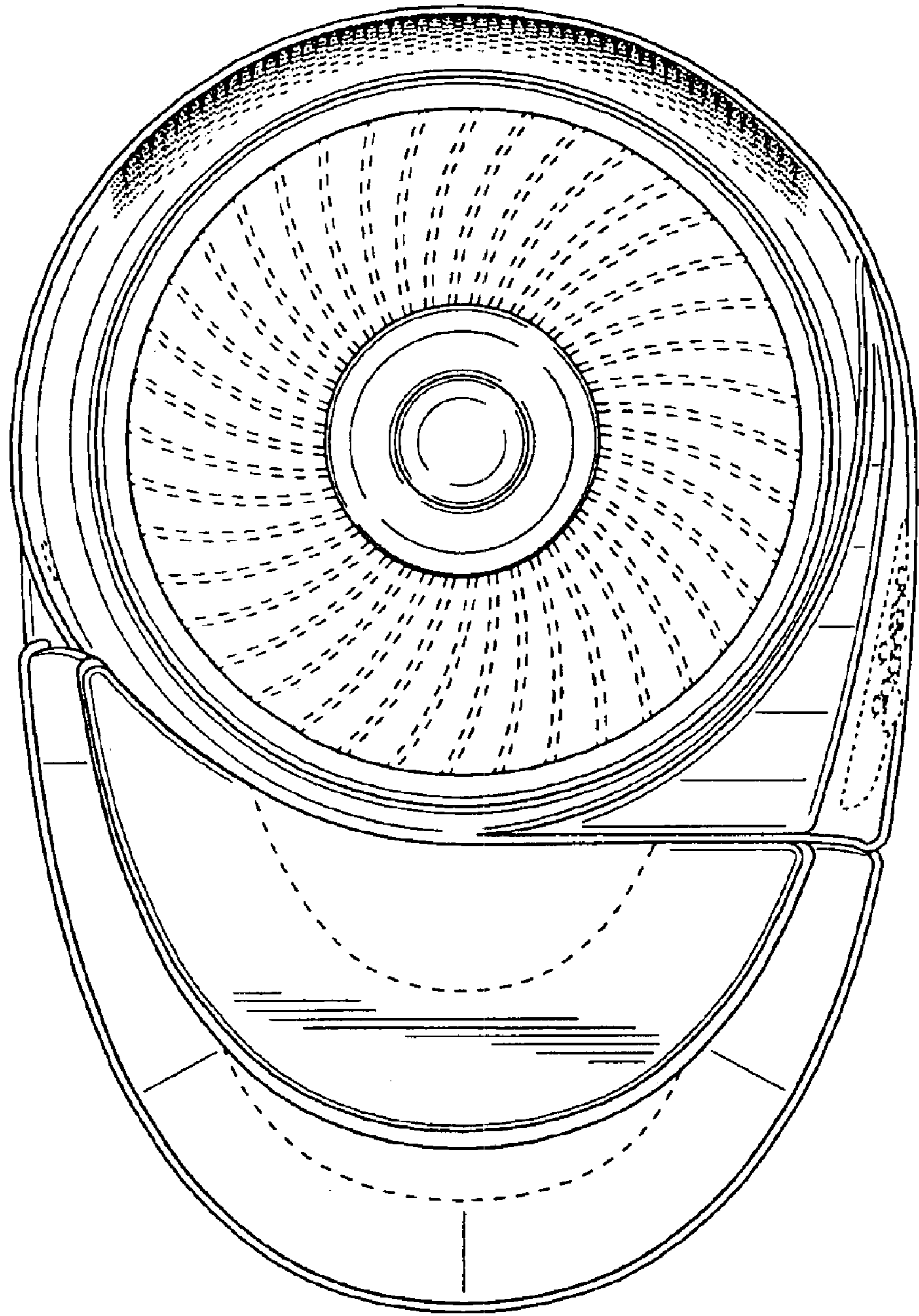


FIG. 8

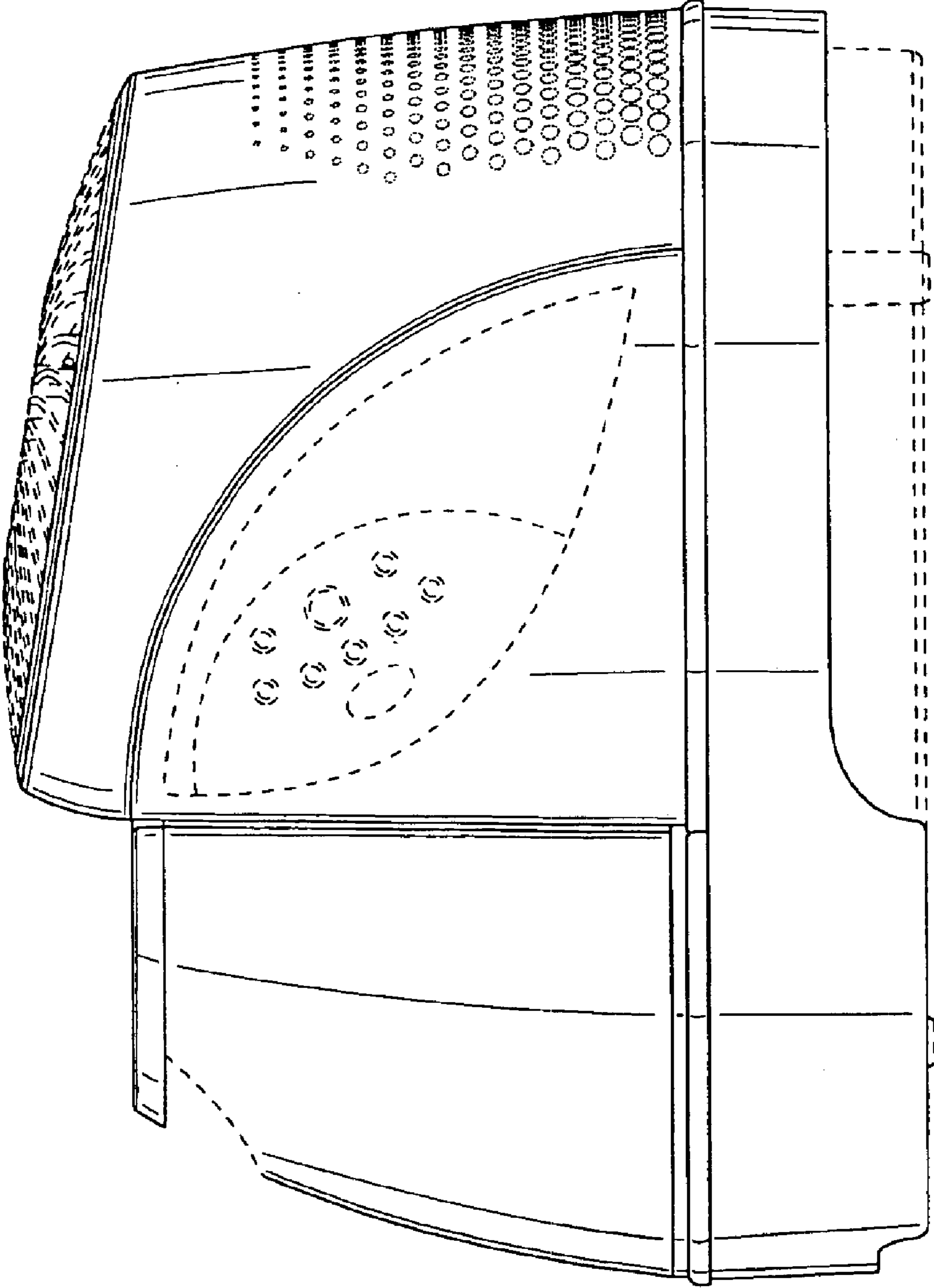


FIG. 9

FIG. 10

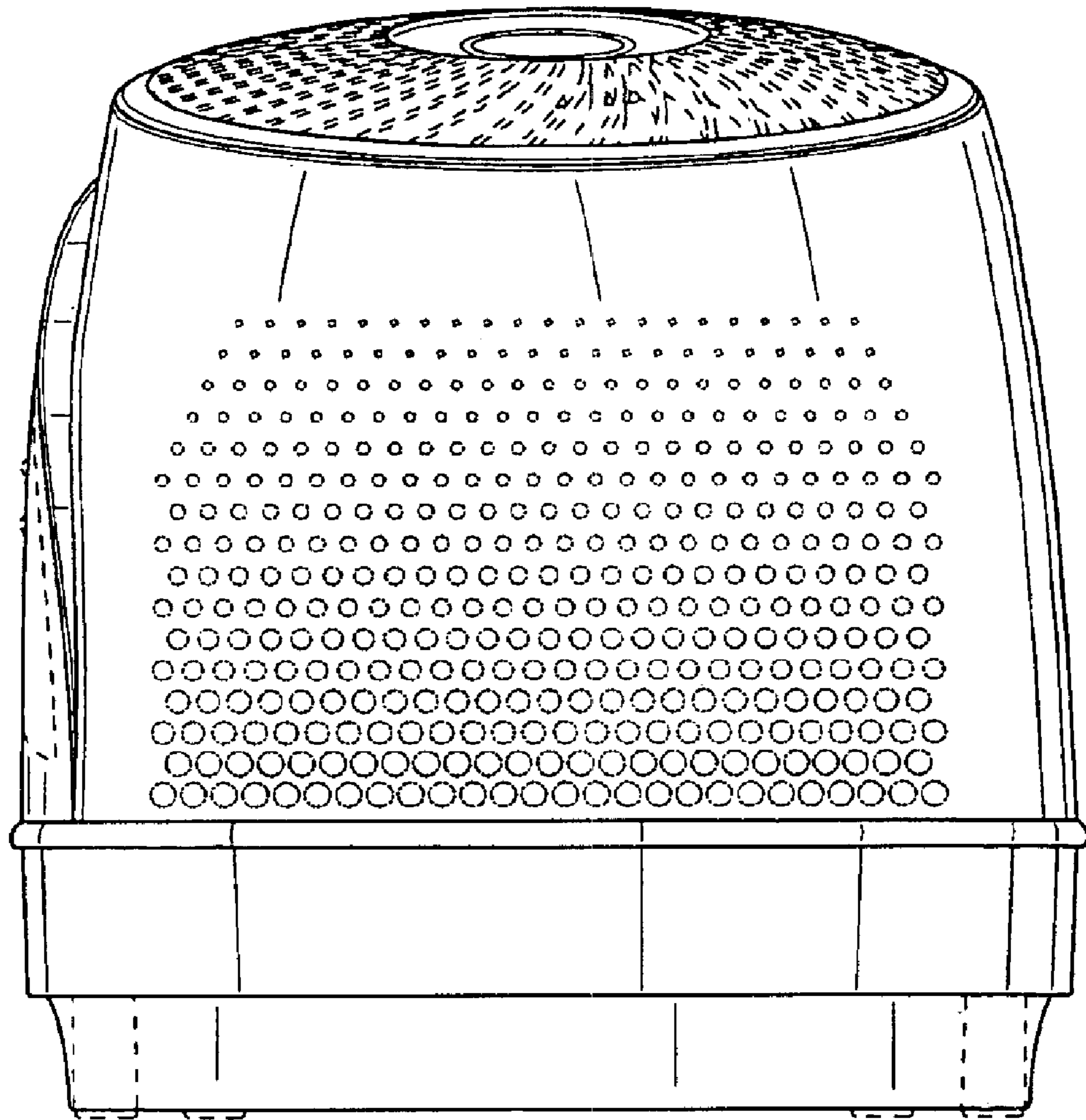
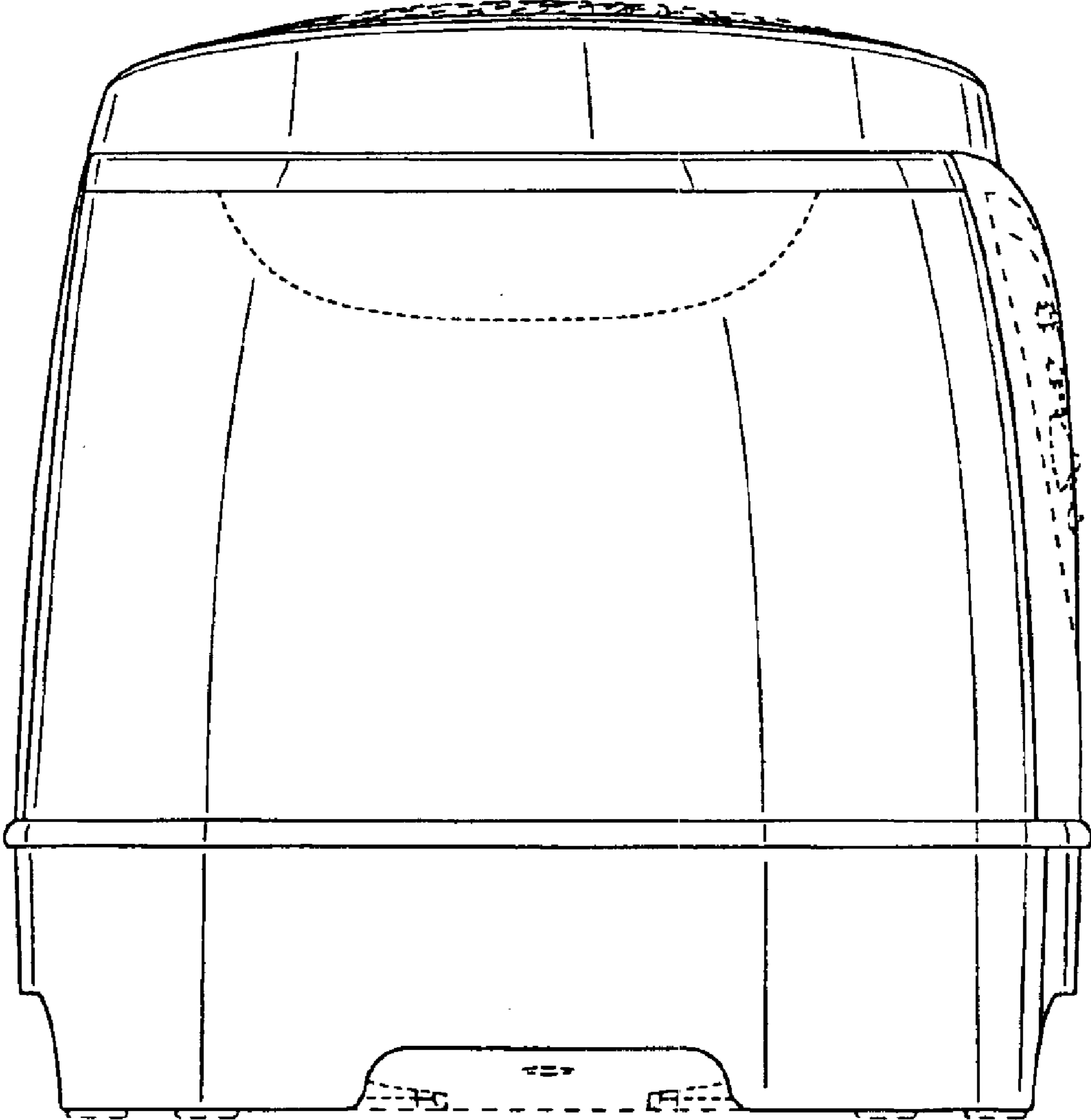


FIG. 11



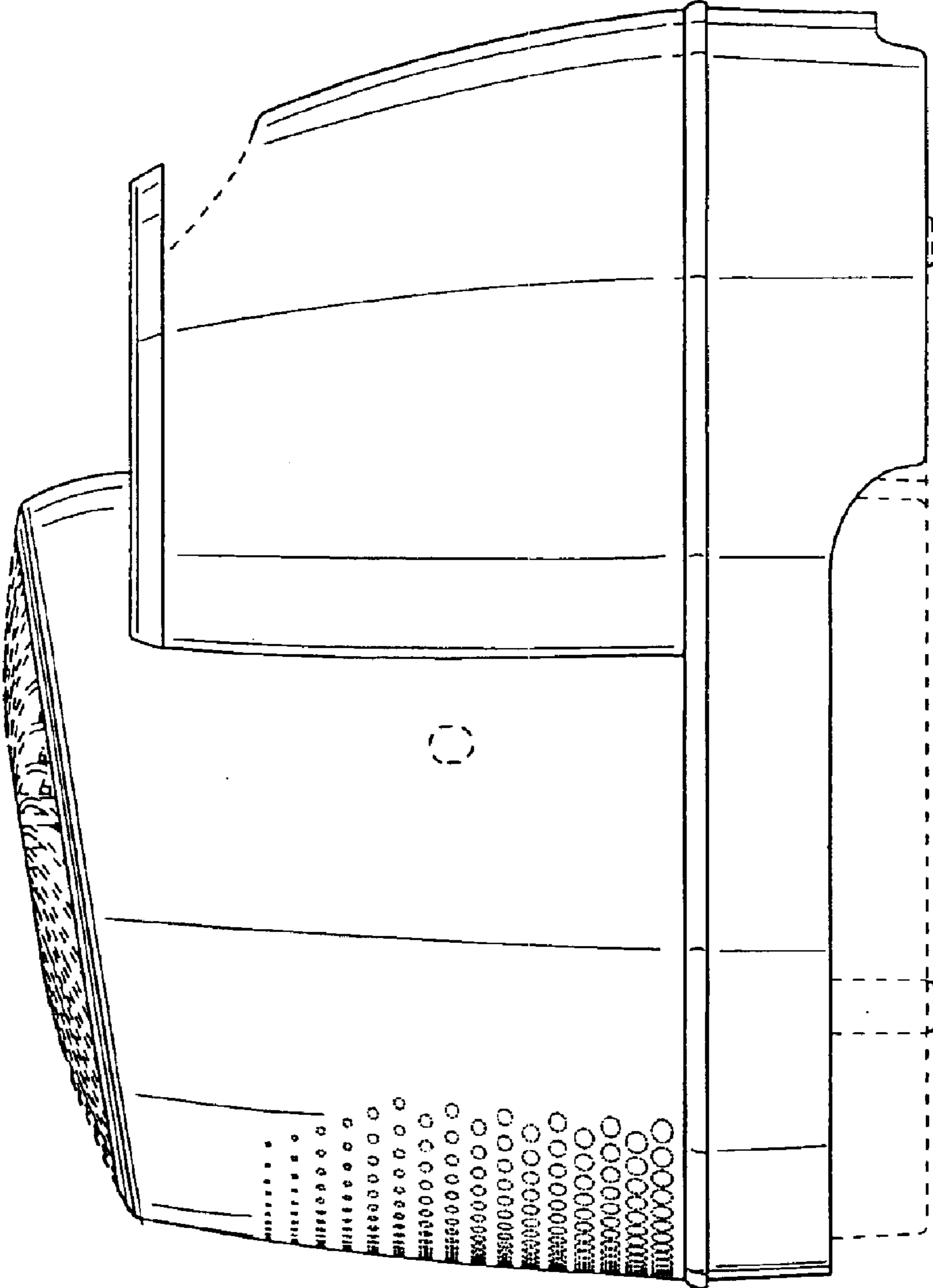


FIG. 12

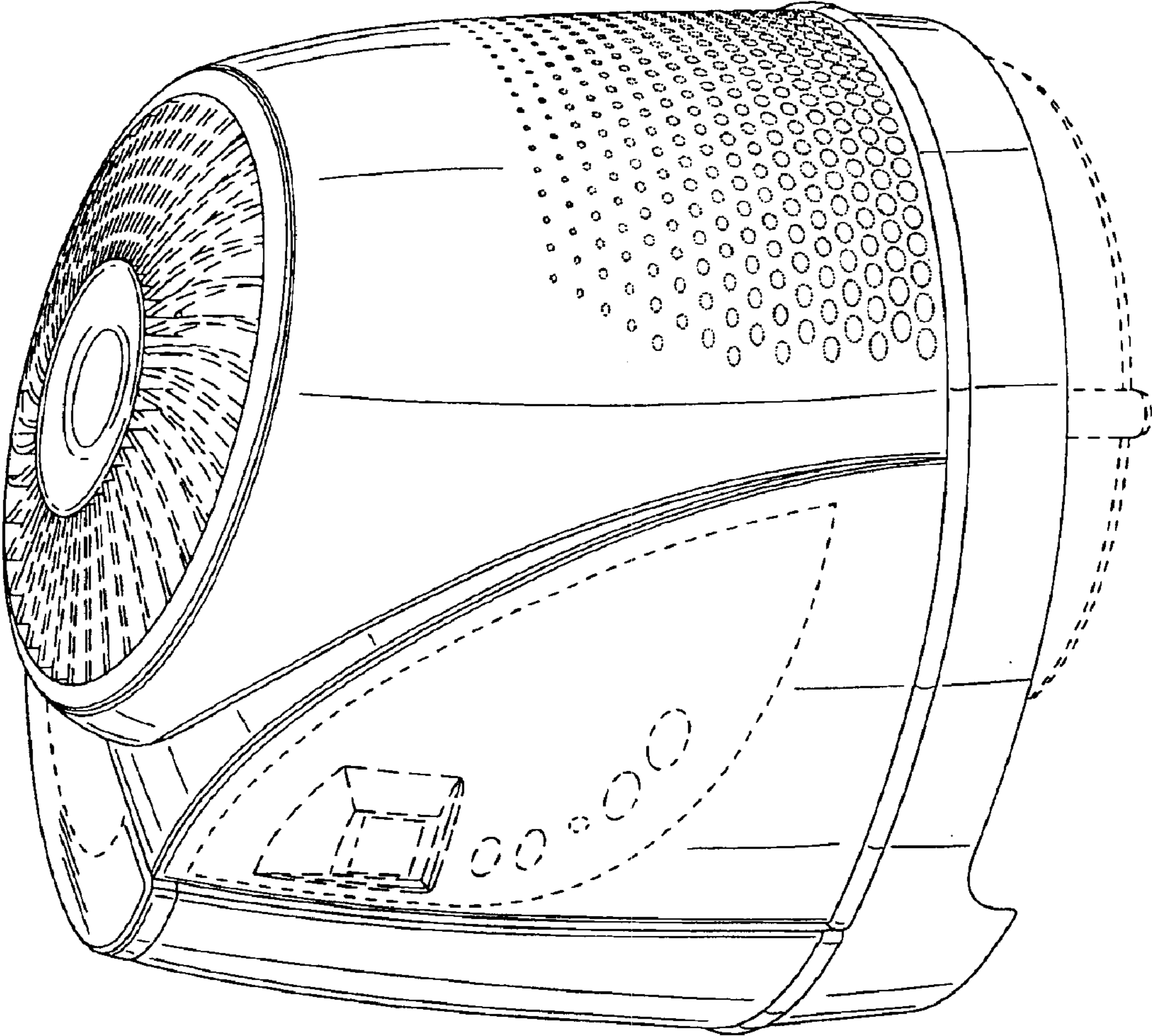


FIG. 13

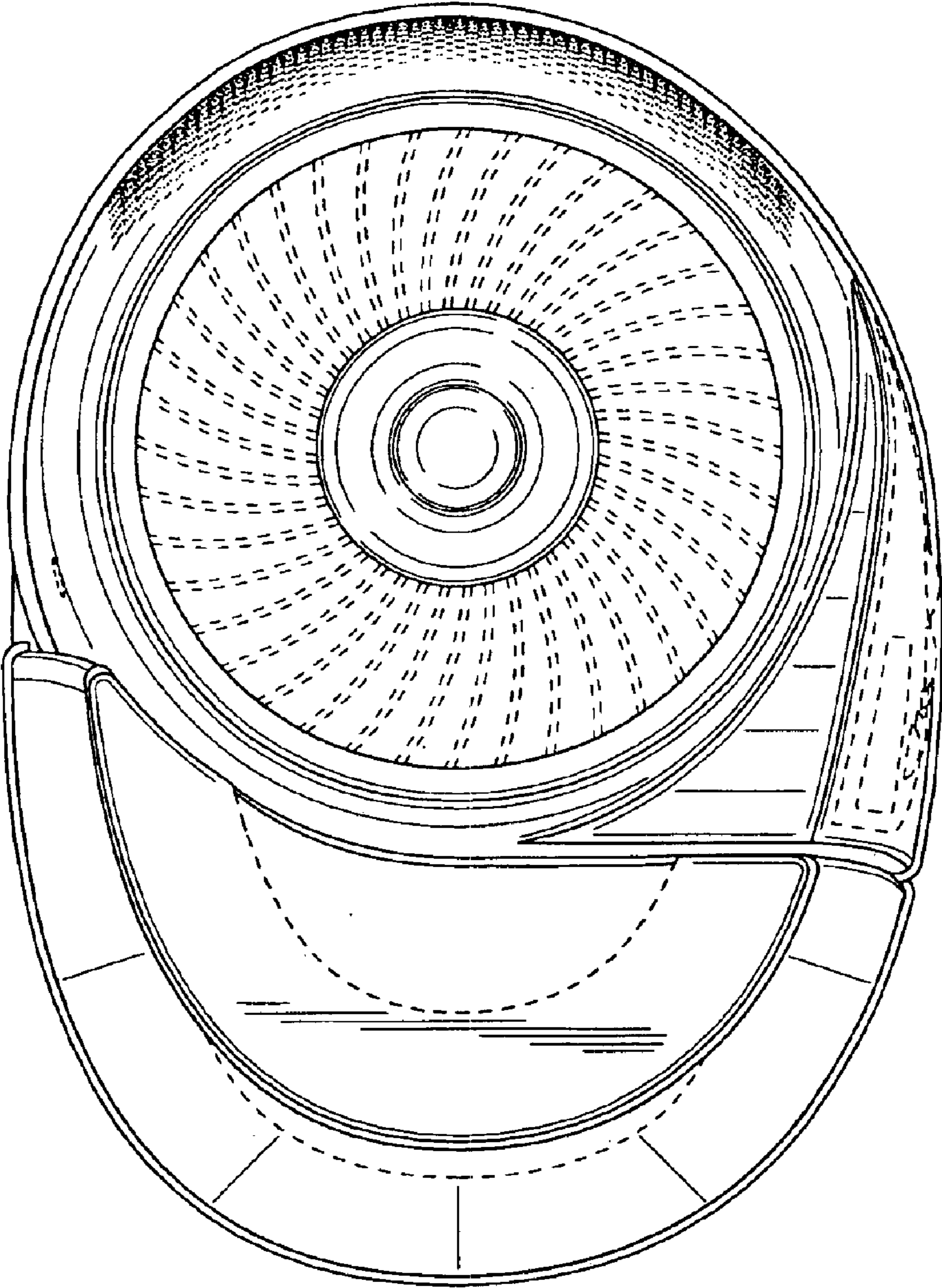


FIG. 14

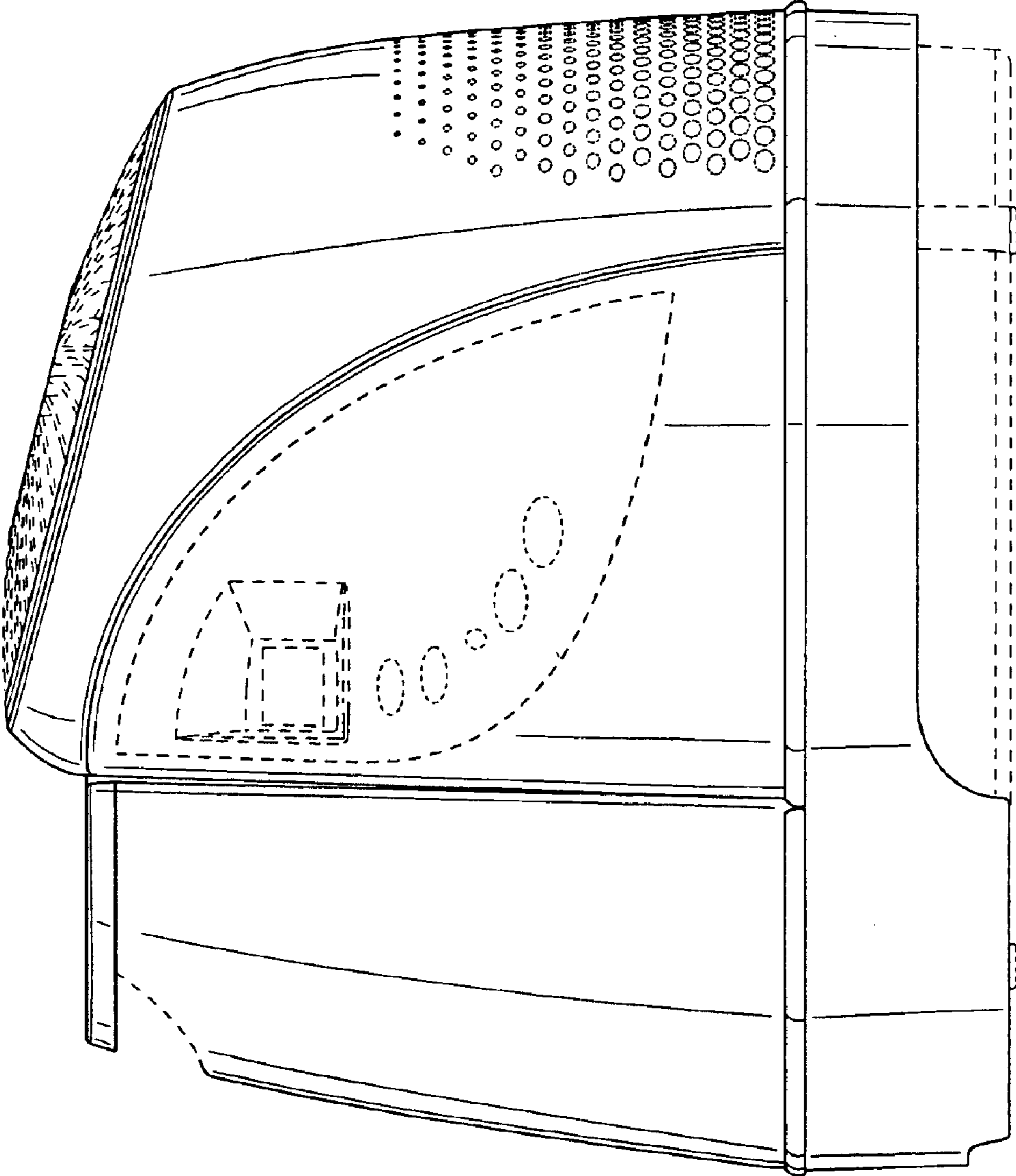


FIG. 15

FIG. 16

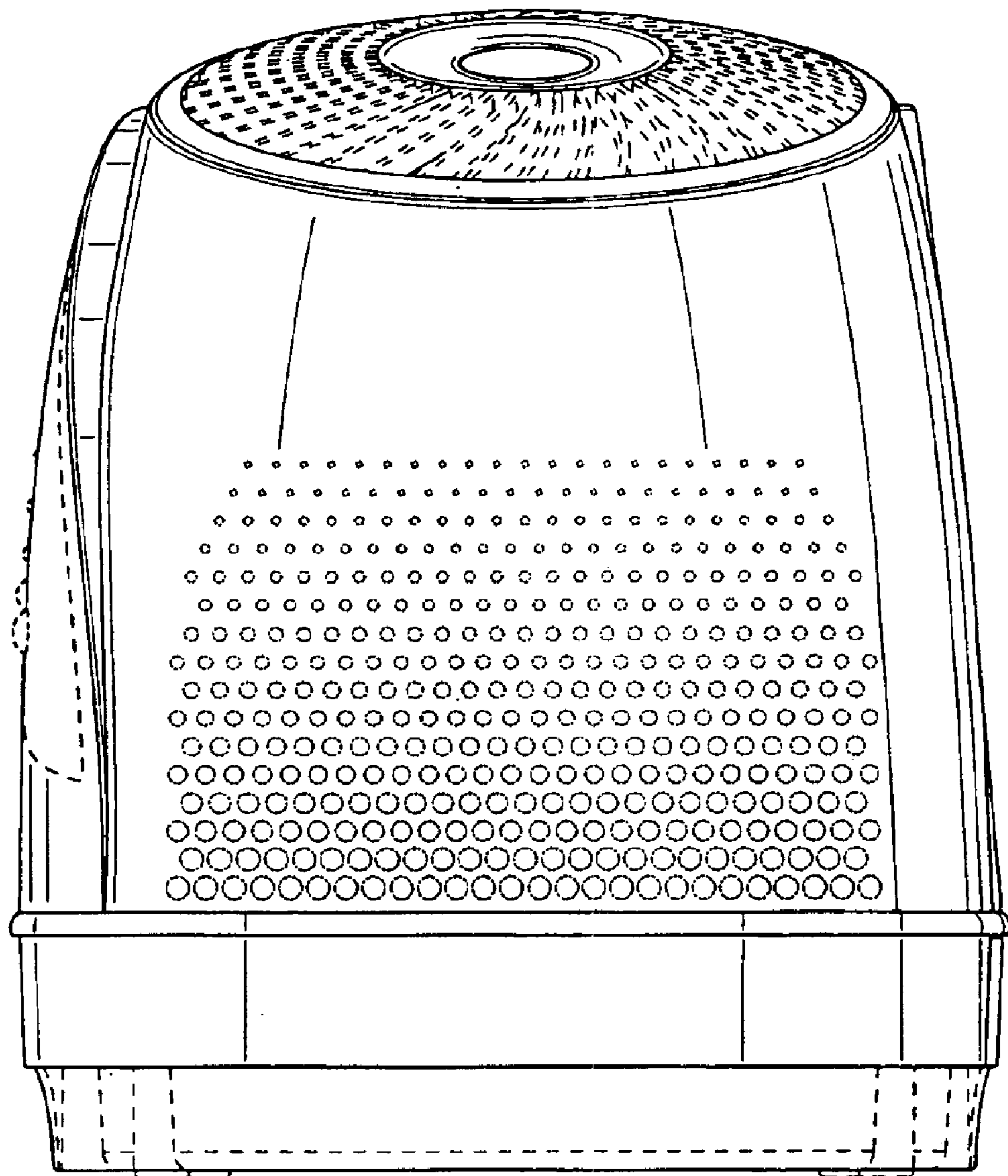
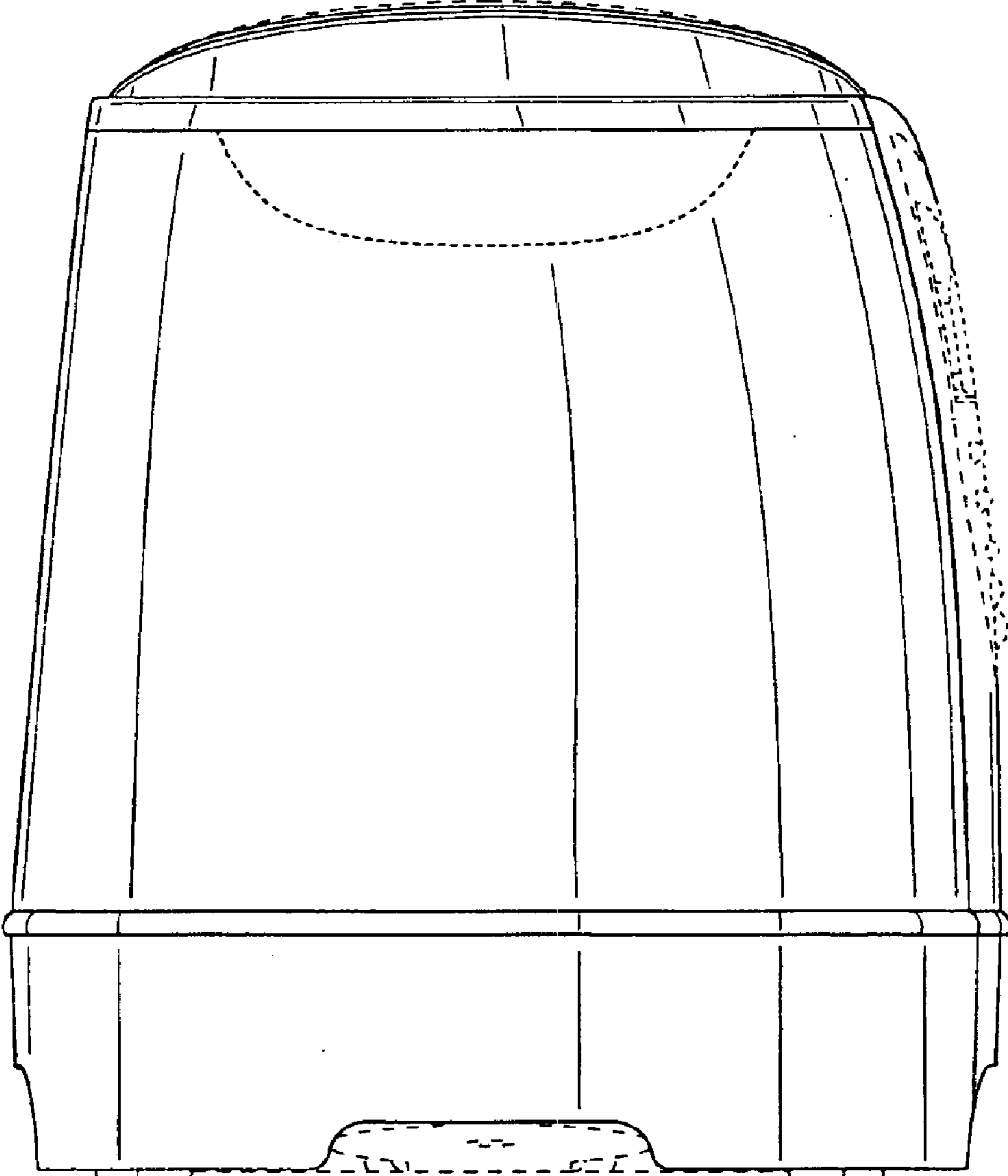


FIG. 17



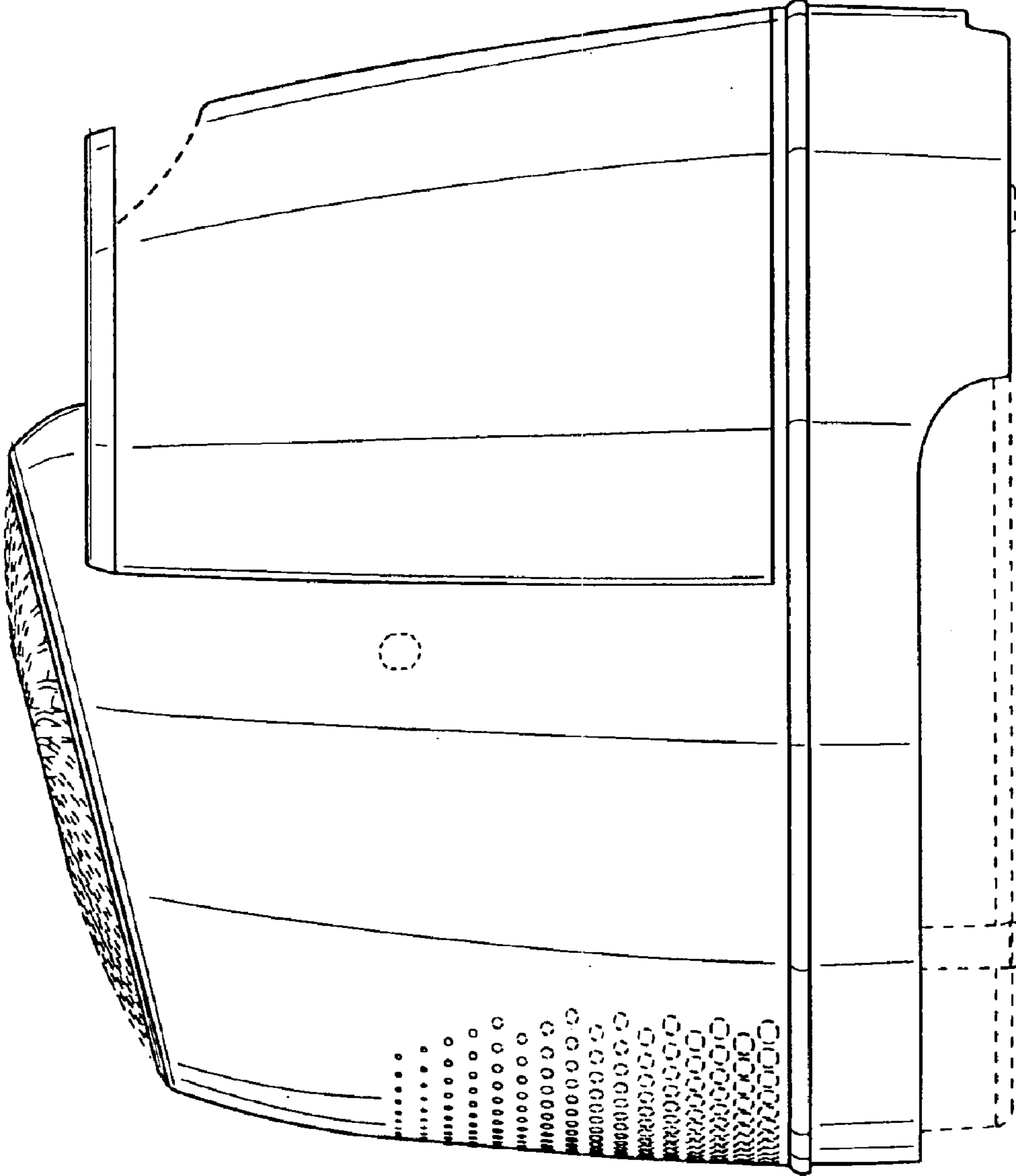


FIG. 18

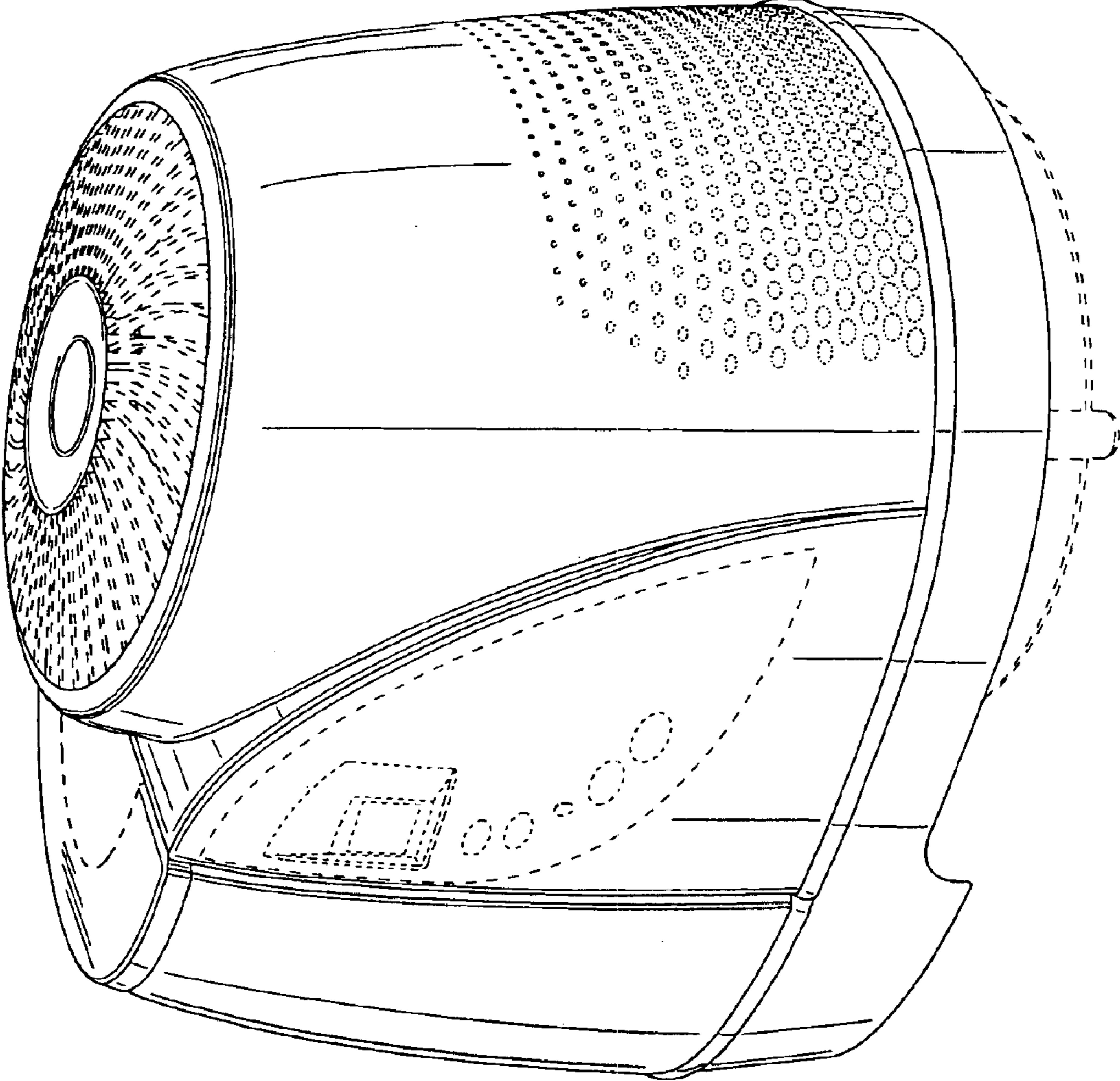


FIG. 19

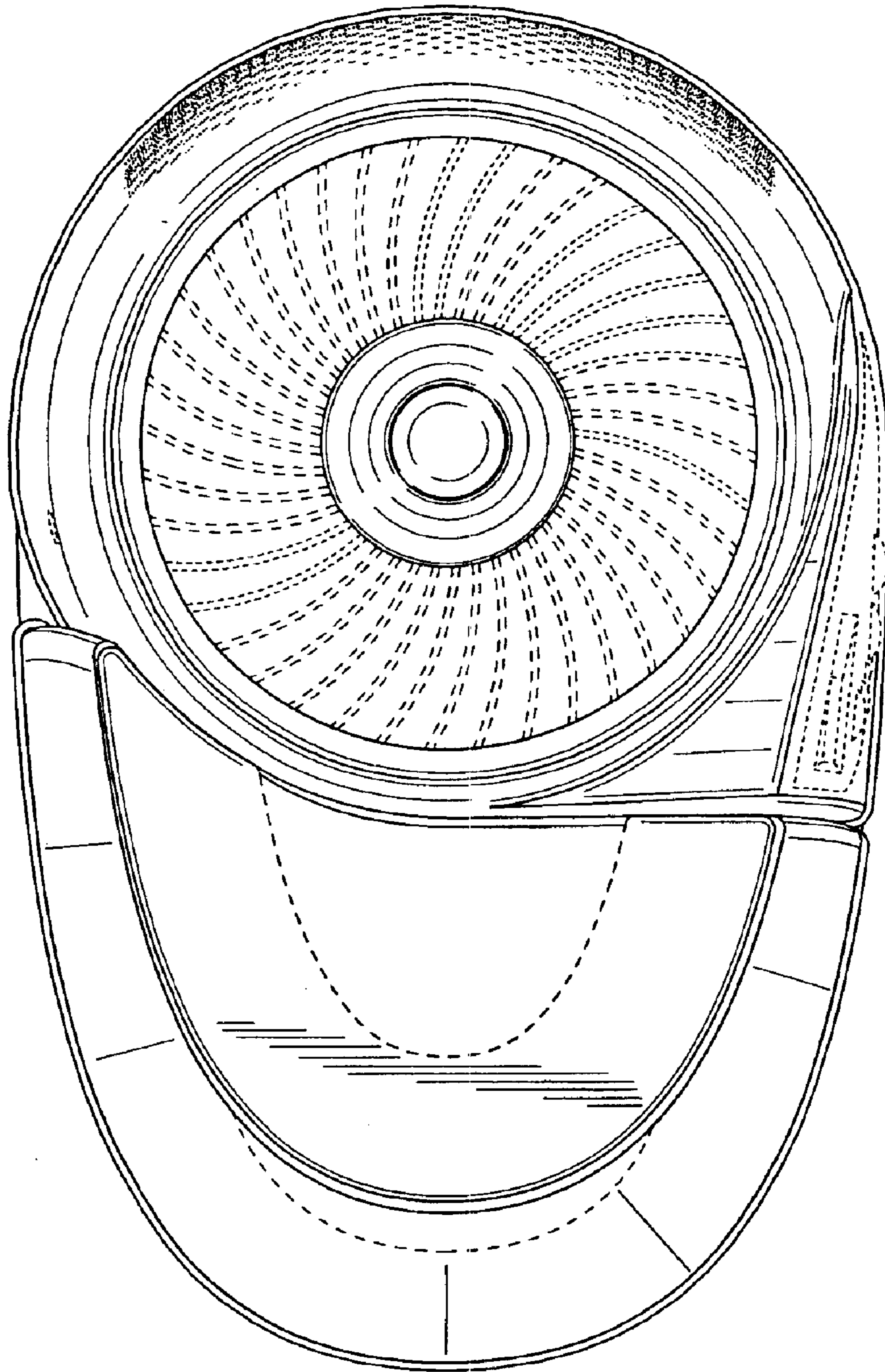


FIG. 20

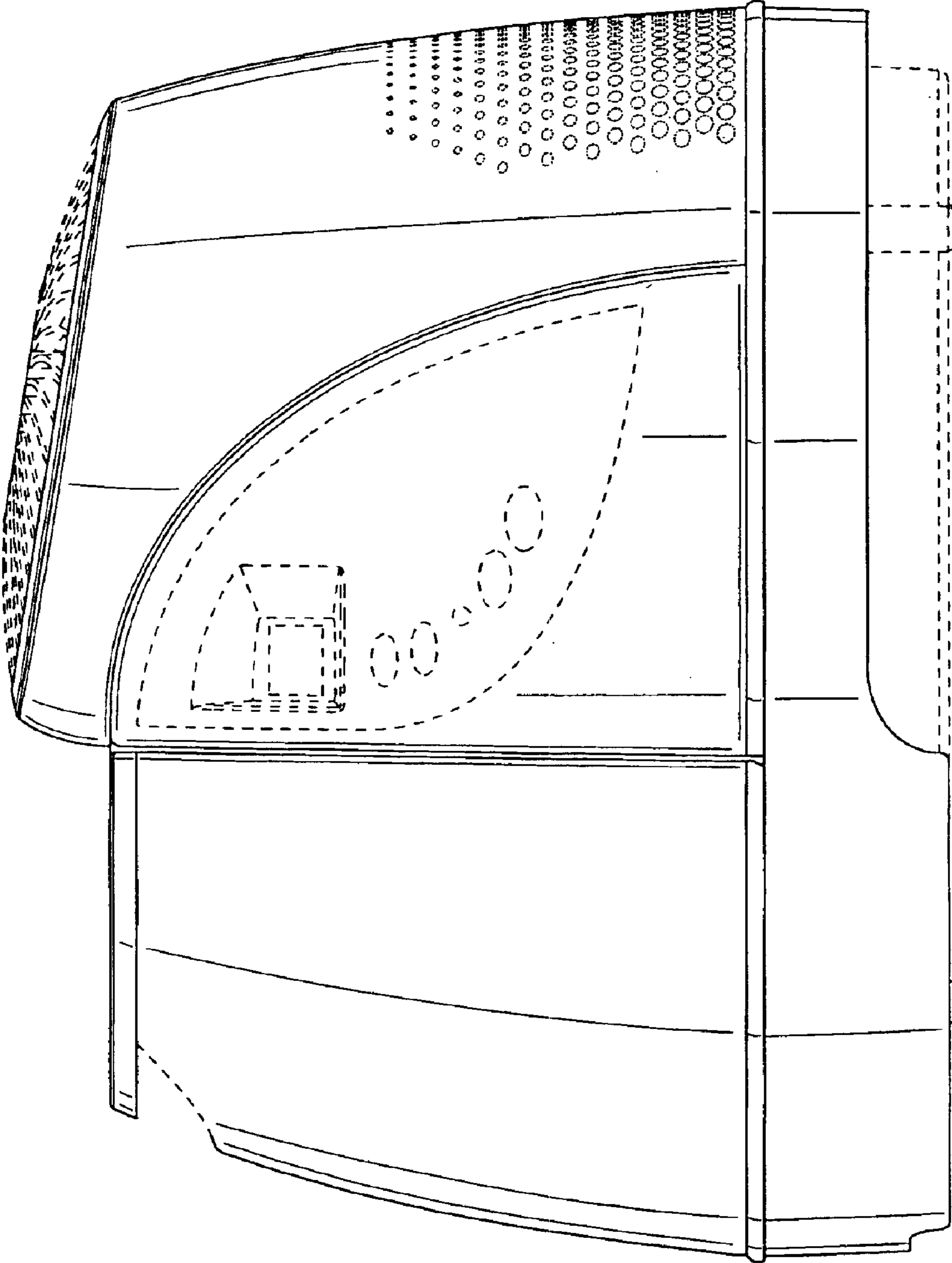


FIG. 21

FIG. 22

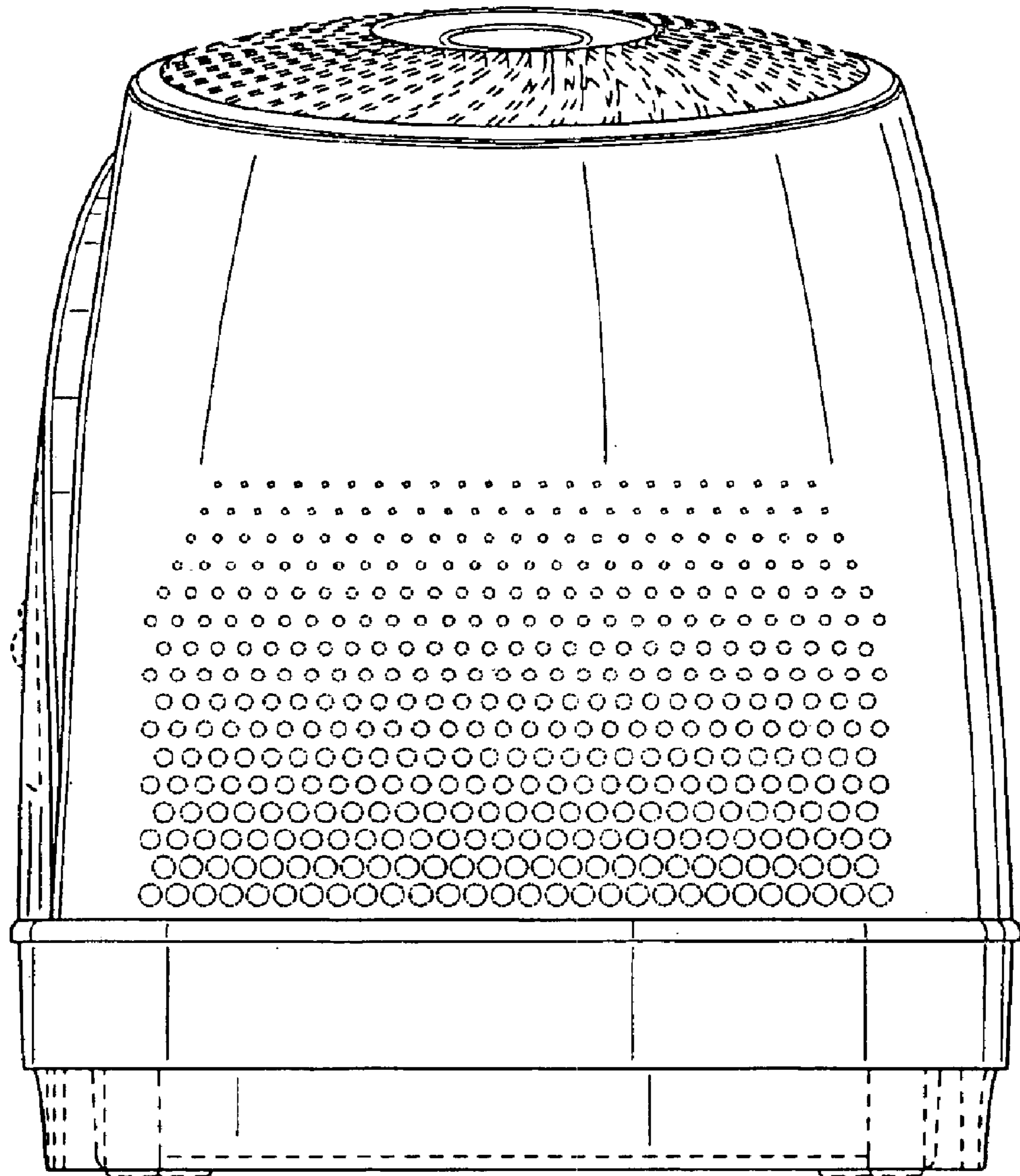
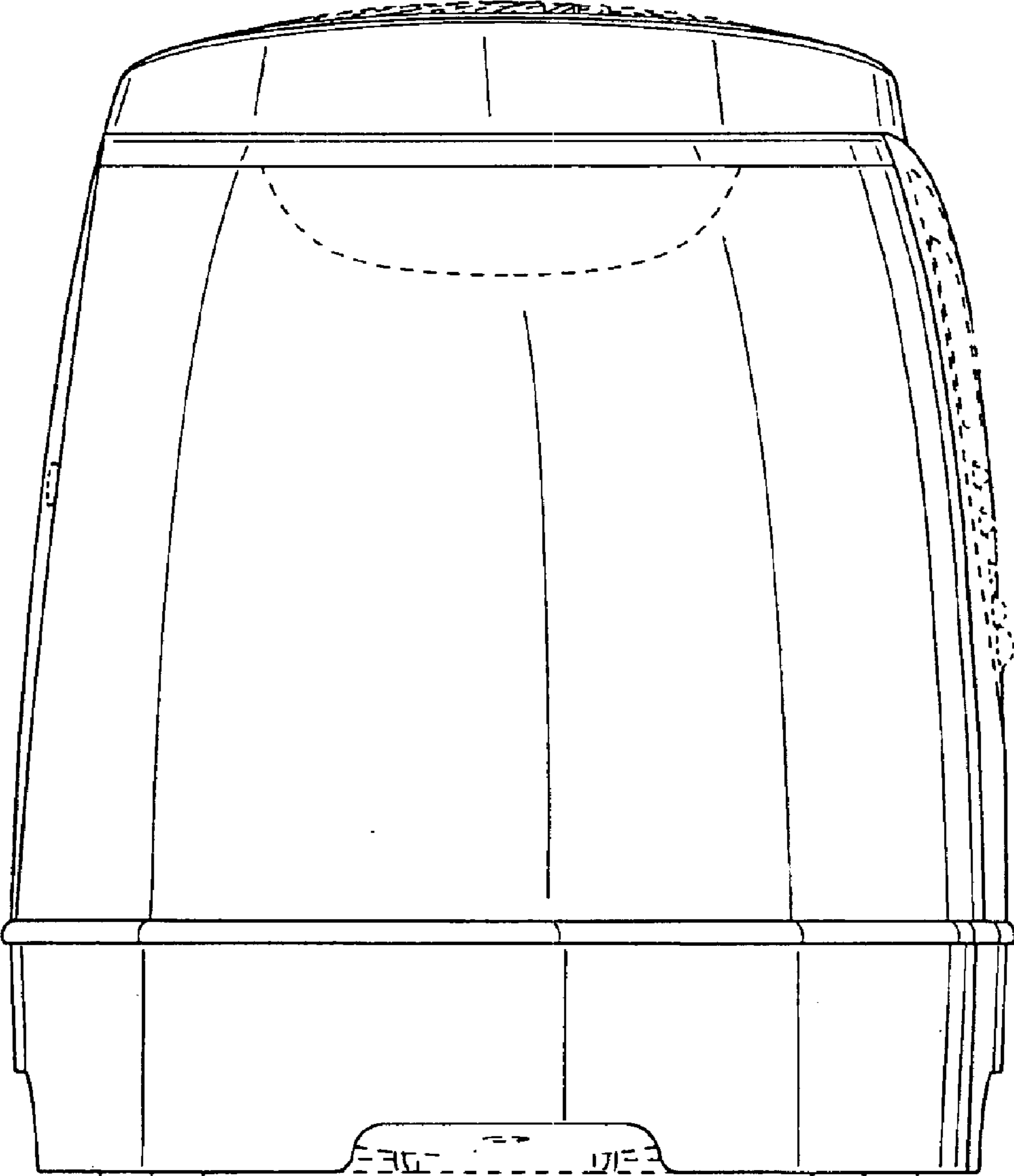


FIG. 23



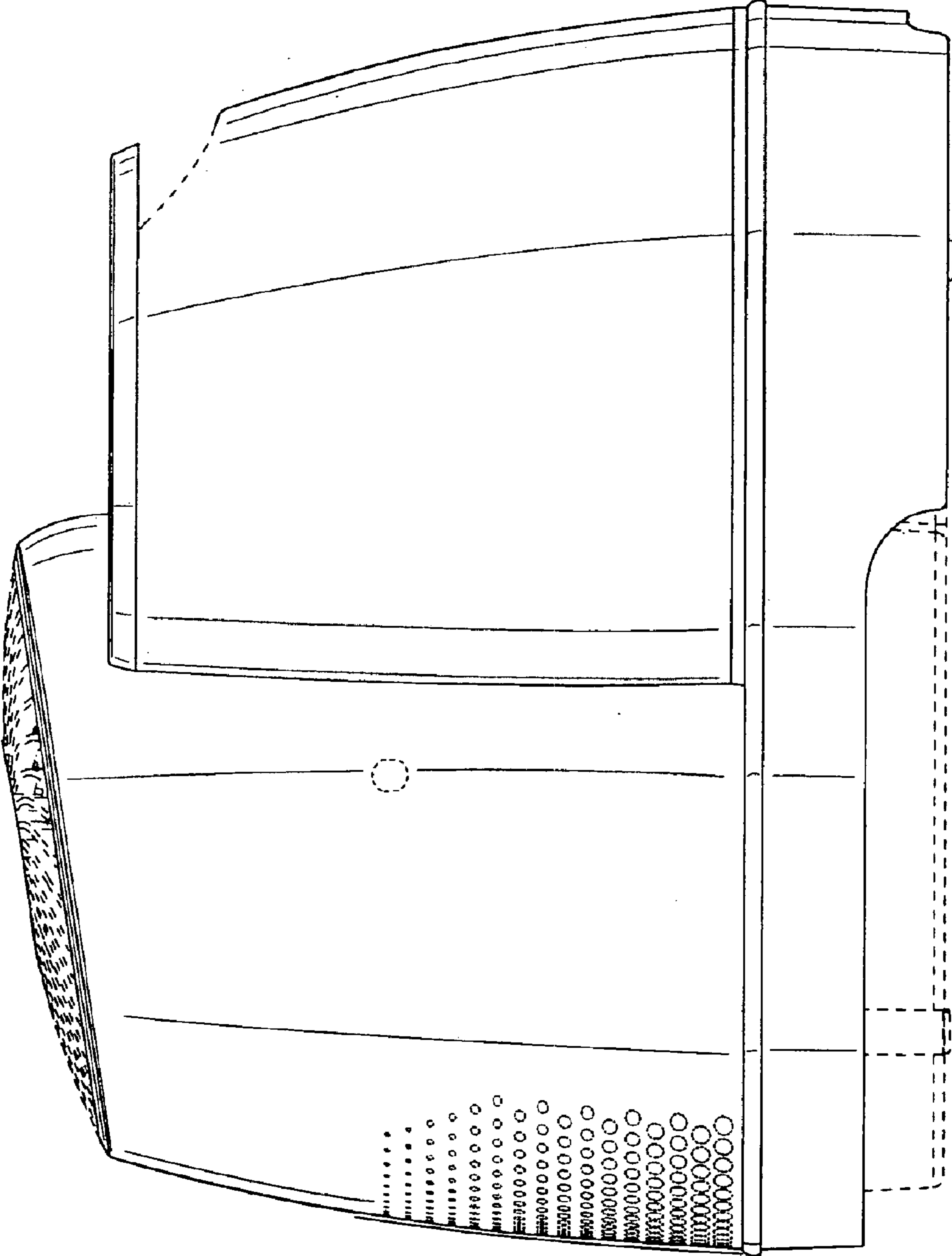


FIG. 24